



US00D375773S

United States Patent [19]
Haughlin

[11] **Patent Number: Des. 375,773**

[45] **Date of Patent: **Nov. 19, 1996**

[54] **FRONT PART OF A TELEMAR-BINDING**

[75] Inventor: **Bernt-Otto Haughlin**, Royken, Norway

[73] Assignee: **Rottfella A/S**, Norway

[**] Term: **14 Years**

[21] Appl. No.: **35,926**

[22] Filed: **Mar. 9, 1995**

[52] U.S. Cl. **D21/230**

[58] **Field of Search** D21/230, 229;
280/630, 623, 626, 627, 628, 631, 634,
635

[56] **References Cited**

U.S. PATENT DOCUMENTS

| | | | | |
|------------|--------|-----------------|-------|---------|
| D. 268,945 | 5/1983 | Beyl | | D21/230 |
| D. 280,435 | 9/1985 | Schultes et al. | | D21/230 |
| D. 299,734 | 2/1989 | Sedlmair | | D21/230 |
| D. 323,200 | 1/1992 | Mermillod | | D21/230 |

FOREIGN PATENT DOCUMENTS

2409055 2/1974 Germany 280/630

Primary Examiner—Kay H. Chin

Attorney, Agent, or Firm—Andrus, Scales, Starke & Sawall

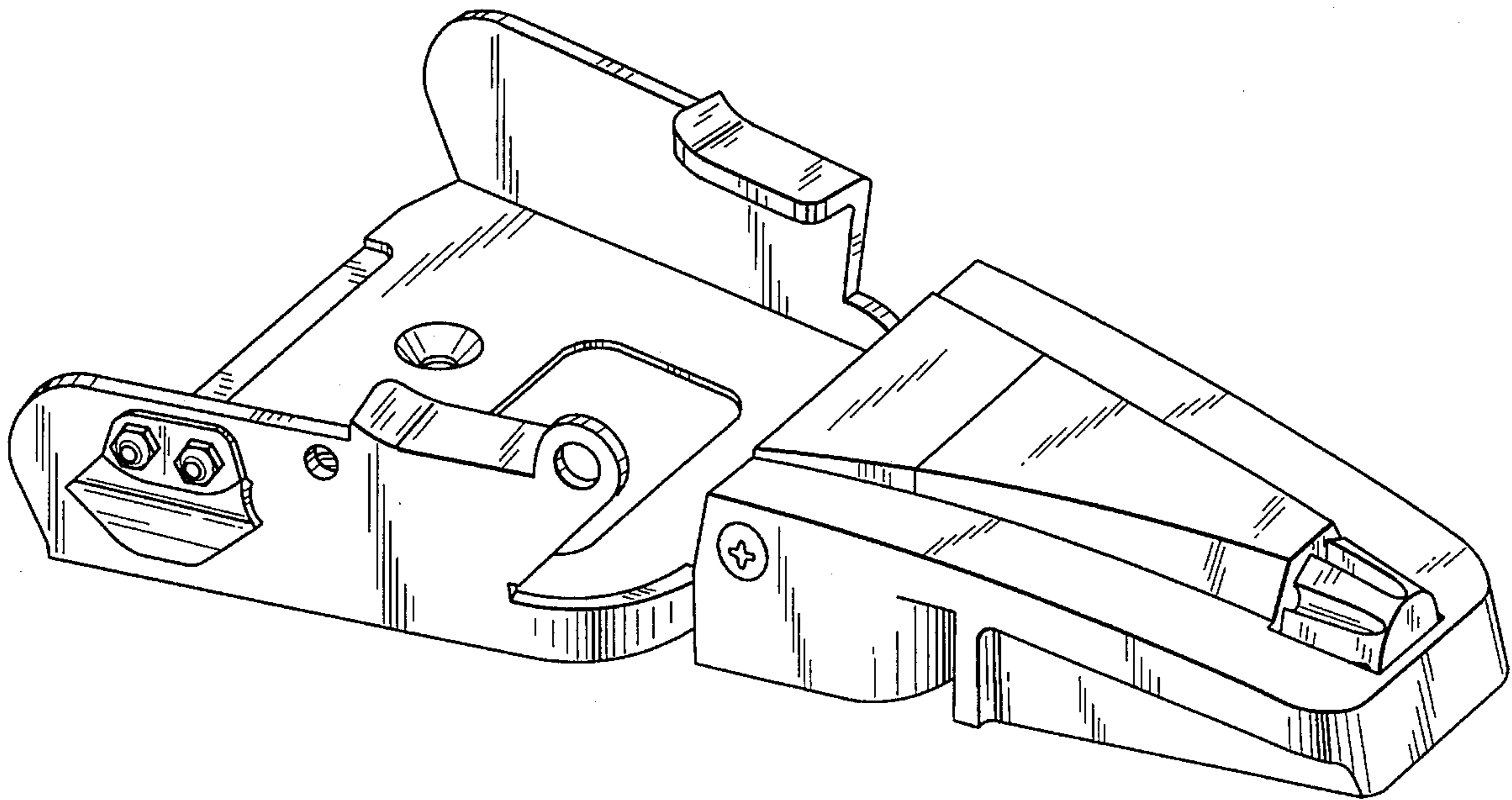
[57] **CLAIM**

The ornamental design for a front part of a telemark-binding, as shown and described.

DESCRIPTION

FIG. 1 is a top perspective view of the front part of a telemark-binding showing my new design; FIG. 2 is a bottom plan view thereof; FIG. 3 is a left side elevational view thereof; FIG. 4 is a rear elevational view thereof; FIG. 5 is a top plan view thereof; FIG. 6 is a right side elevational view thereof; and, FIG. 7 is a front elevational view thereof.

1 Claim, 4 Drawing Sheets



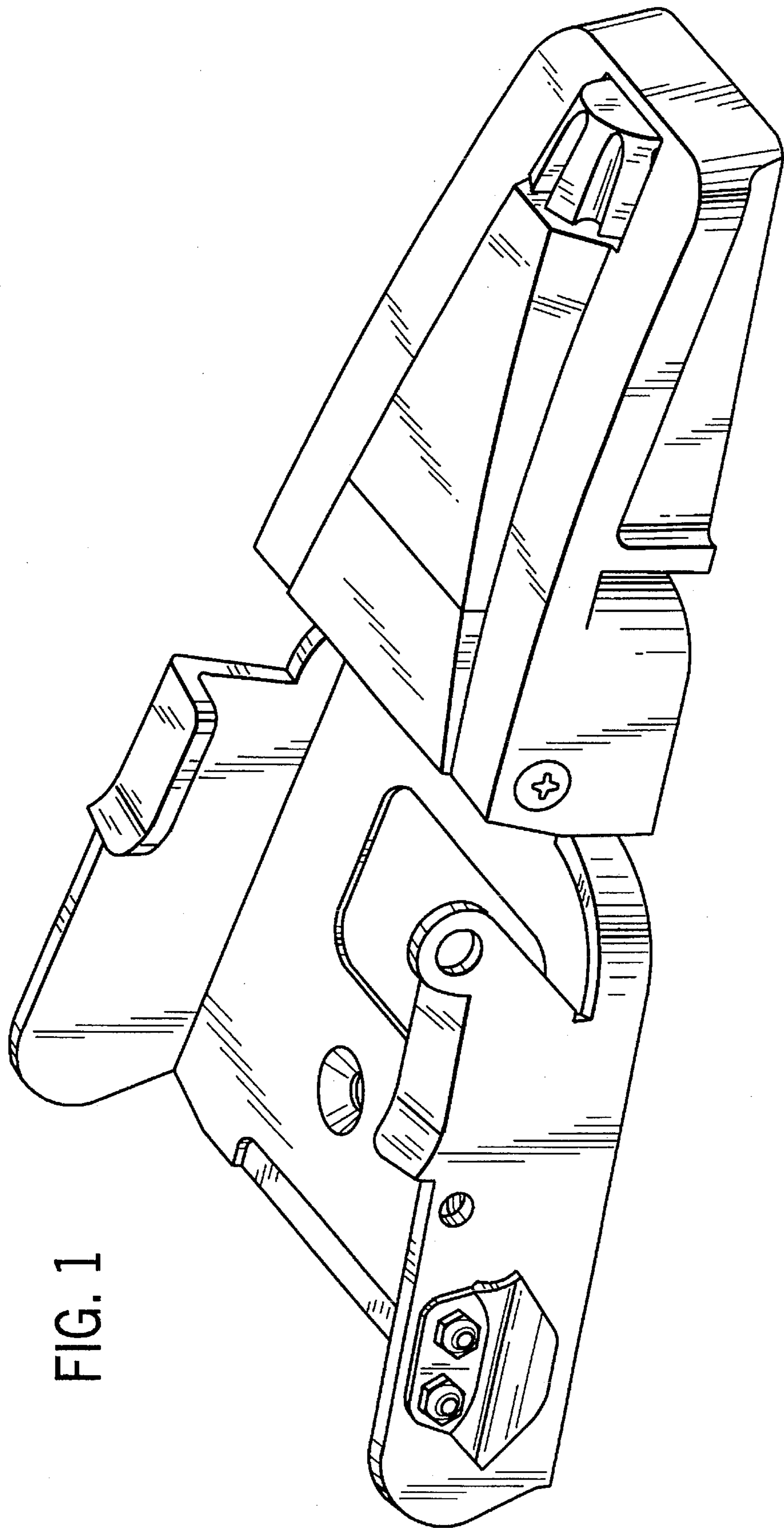


FIG. 1

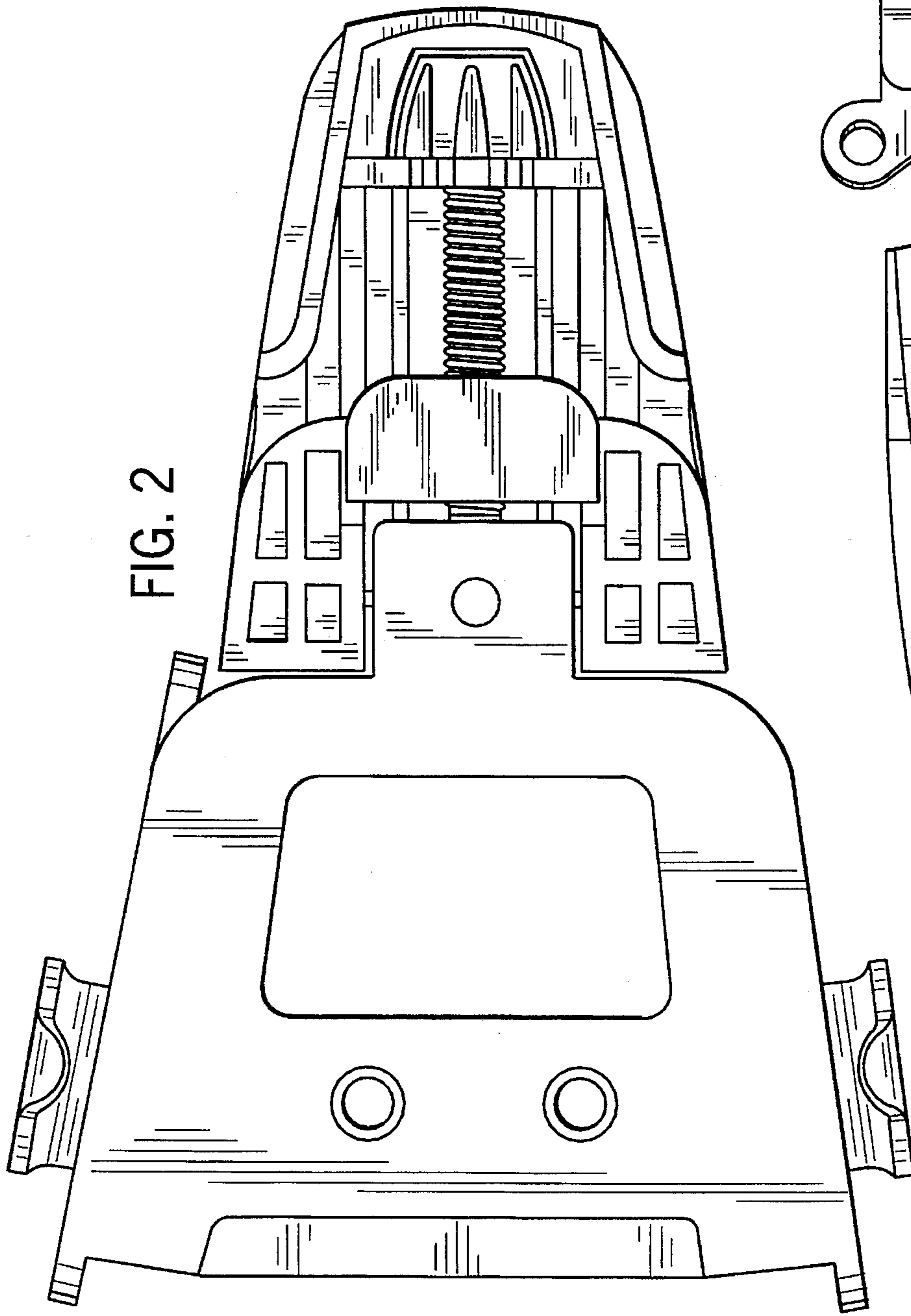


FIG. 2

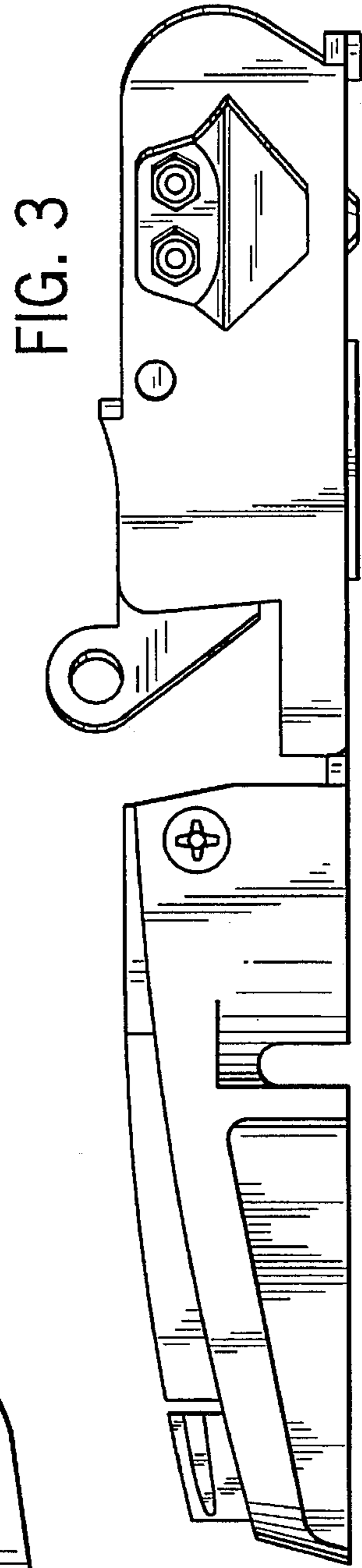


FIG. 3

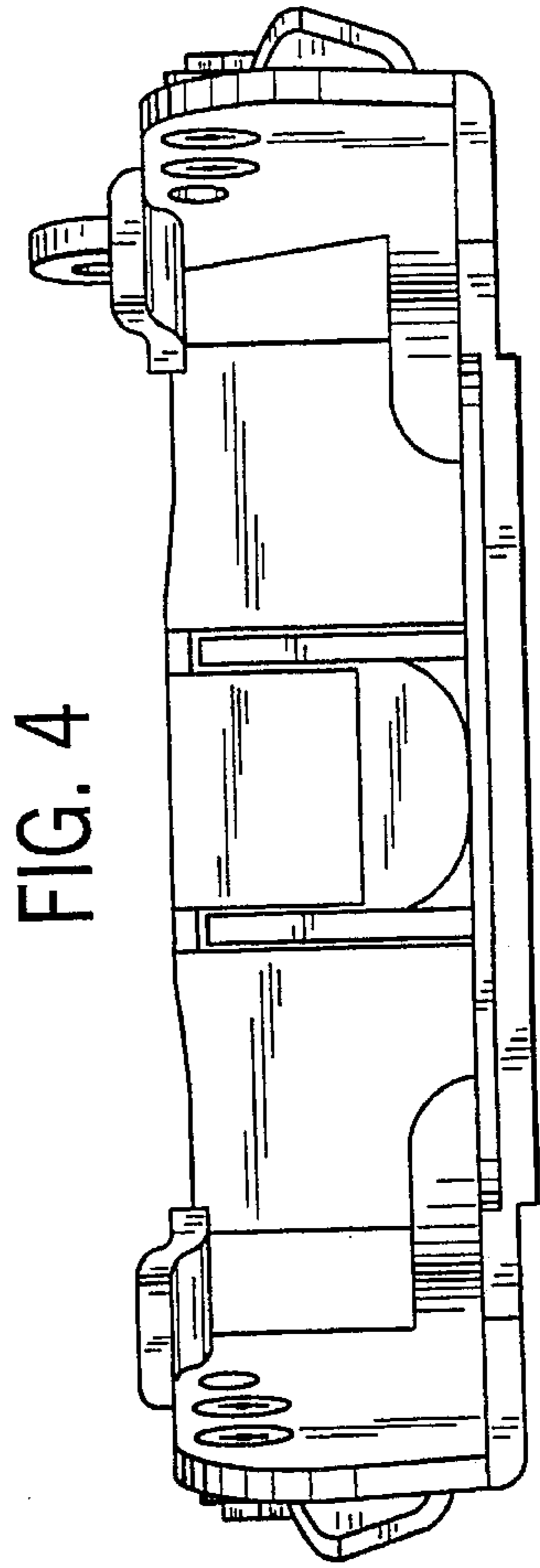
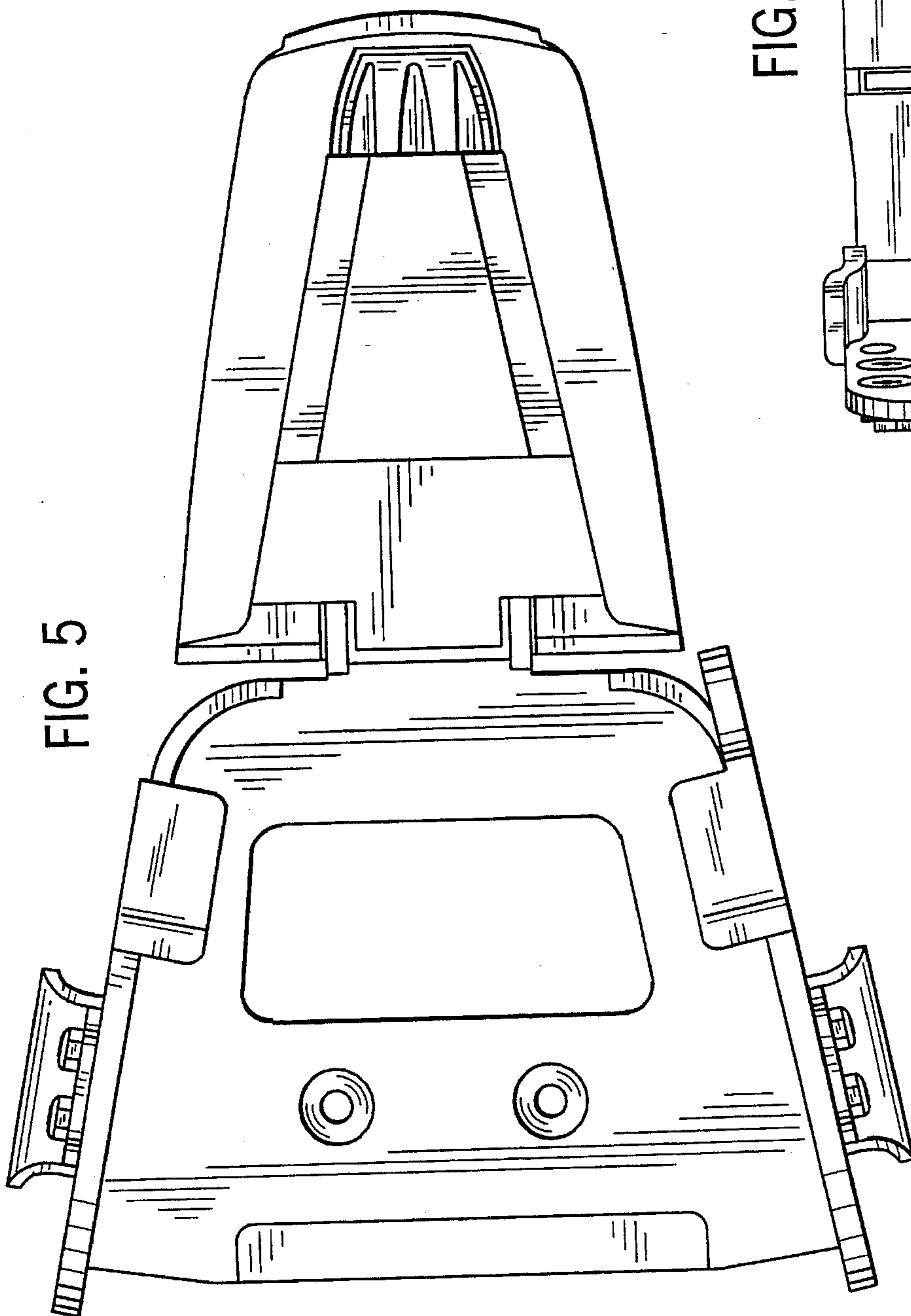


FIG. 6

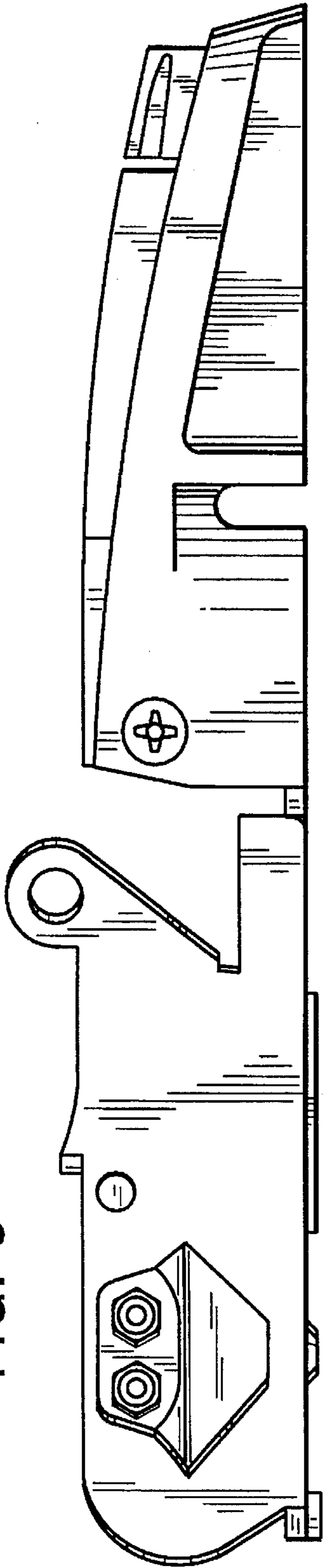


FIG. 7

