



US00D375767S

United States Patent [19]

Camfield et al.

[11] Patent Number: **Des. 375,767**

[45] Date of Patent: ****Nov. 19, 1996**

- [54] **SKI EXERCISE MACHINE**
- [75] Inventors: **David K. Camfield, Olney; Jeffrey D. Metcalf, Albion, both of Ill.**
- [73] Assignee: **Roadmaster Corporation, Olney, Ill.**
- [**] Term: **14 Years**
- [21] Appl. No.: **24,843**
- [22] Filed: **Jun. 22, 1994**

4,804,178	2/1989	Friedebach	482/70
4,813,667	3/1989	Watterson	482/70
4,826,152	5/1989	Lo	482/70
4,867,443	9/1989	Jensen	482/70
4,948,121	8/1990	Haaheim et al.	482/70
4,960,276	10/1990	Feuer et al. .	
4,979,731	12/1990	Hermelin	482/70
5,000,442	3/1991	Dalebout et al.	482/70
5,064,190	11/1991	Holt	482/70
5,108,093	4/1992	Watterson	482/70
5,145,481	9/1992	Friedebach .	
5,181,894	1/1993	Shieng .	
5,226,866	7/1993	Engel	482/52
5,338,273	8/1994	Metcalf et al. .	

Related U.S. Application Data

- [63] Continuation of Ser. No. 9,717, Jan. 27, 1993, Pat. No. 5,338,273.
- [52] U.S. Cl. **D21/191**
- [58] Field of Search **D21/191, 192, D21/193, 194, 195; 482/51, 70, 52, 53, 54, 71**

References Cited

U.S. PATENT DOCUMENTS

1,982,843	12/1934	Traver .	
4,023,795	5/1977	Pauls	482/70
4,434,981	3/1984	Norton	482/70
4,512,571	4/1985	Hermelin	482/70
4,529,194	7/1985	Haaheim	482/71
4,618,139	10/1986	Haaheim	482/71
4,645,201	2/1987	Evans	482/71
4,659,077	4/1987	Stropkay	482/70
4,679,786	7/1987	Rodgers	482/71
4,709,918	12/1987	Grinblat	482/70
4,728,102	3/1988	Pauls .	
4,743,015	5/1988	Marshall .	

OTHER PUBLICATIONS

Service Merchandise Catalog, 1993, p. 530, Vitamaster North Trails Ski Machine.

Primary Examiner—Philip S. Hyder
Attorney, Agent, or Firm—Brinks Hofer Gilson & Lione

[57] CLAIM

The ornamental design for a ski exercise machine, as shown.

DESCRIPTION

FIG. 1 is a right, front perspective view of a ski exercise machine showing our new design;
 FIG. 2 is a right side elevational view thereof;
 FIG. 3 is a left side elevational view thereof;
 FIG. 4 is a front elevational view thereof;
 FIG. 5 is a rear elevational view thereof;
 FIG. 6 is a top plan view thereof; and,
 FIG. 7 is a bottom plan view thereof.

1 Claim, 6 Drawing Sheets

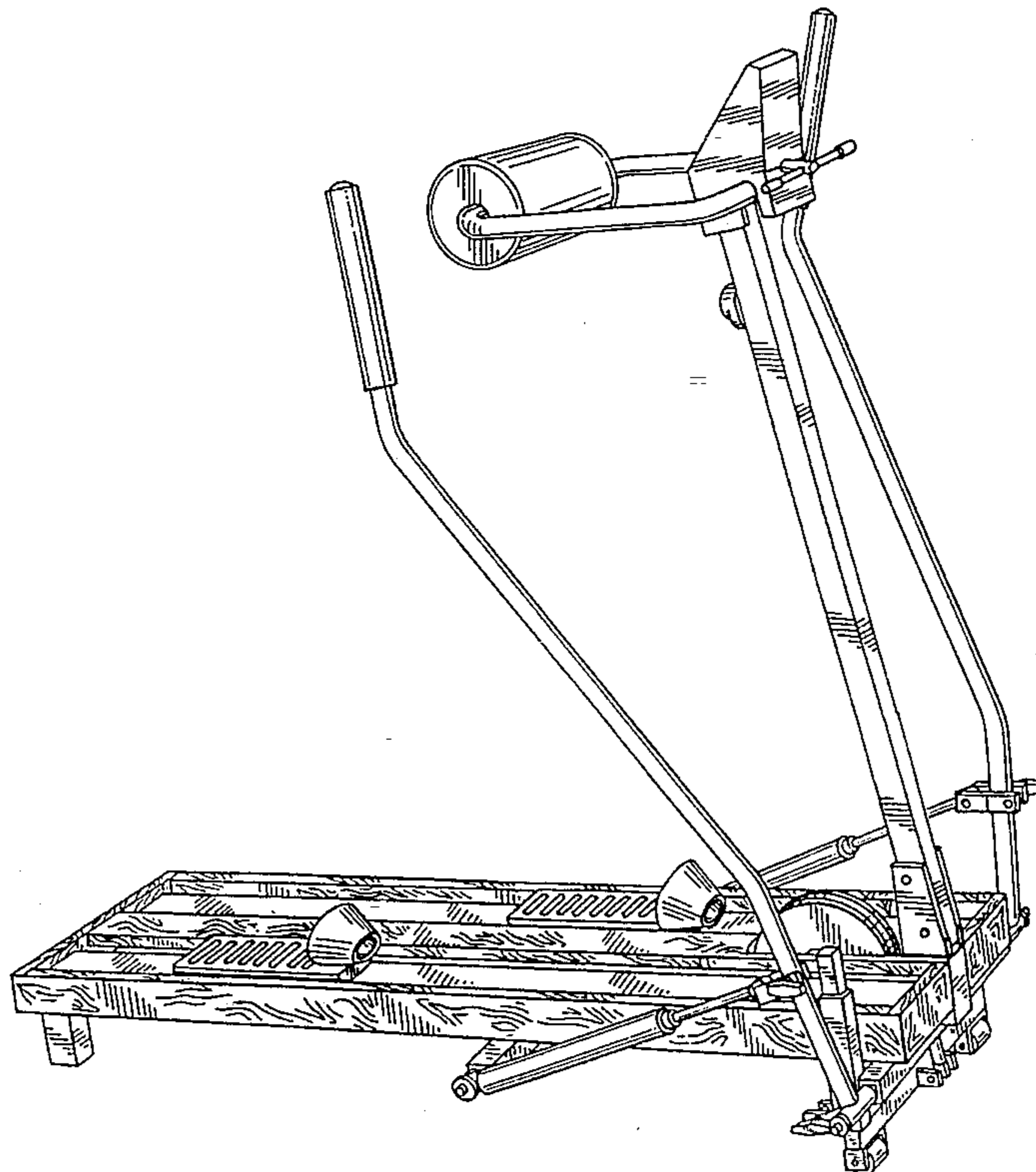
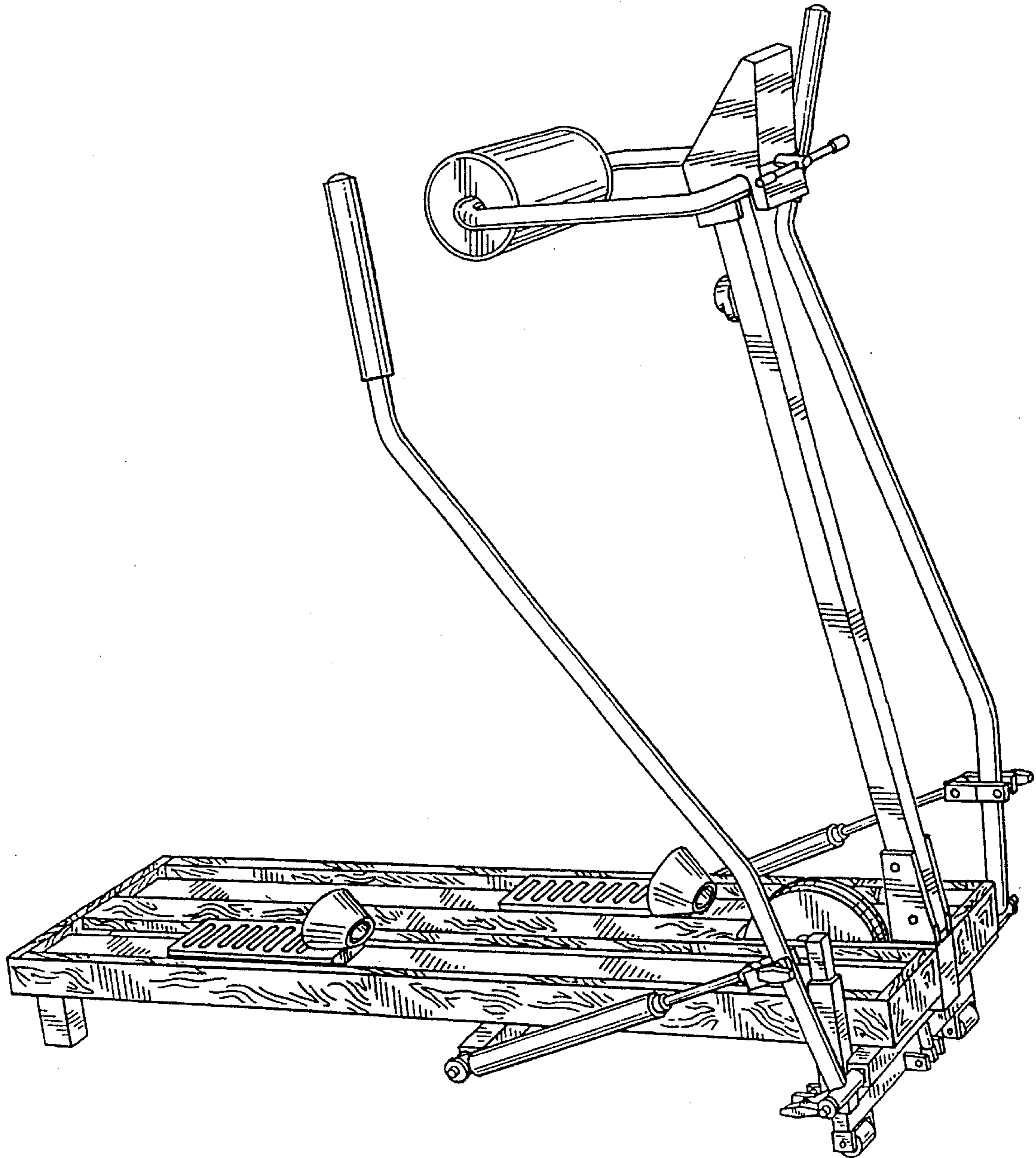


FIG. 1



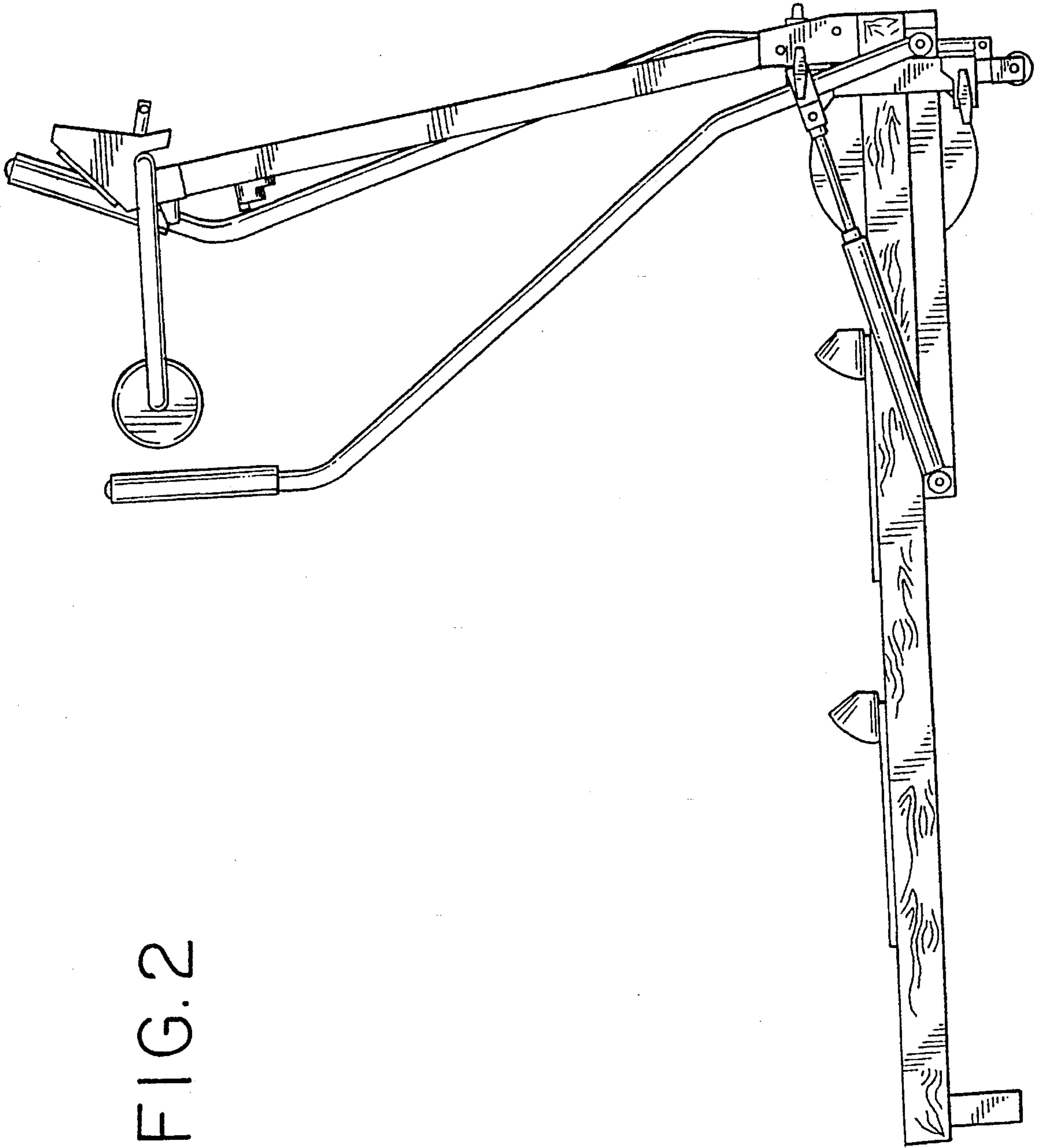


FIG. 2

FIG. 3

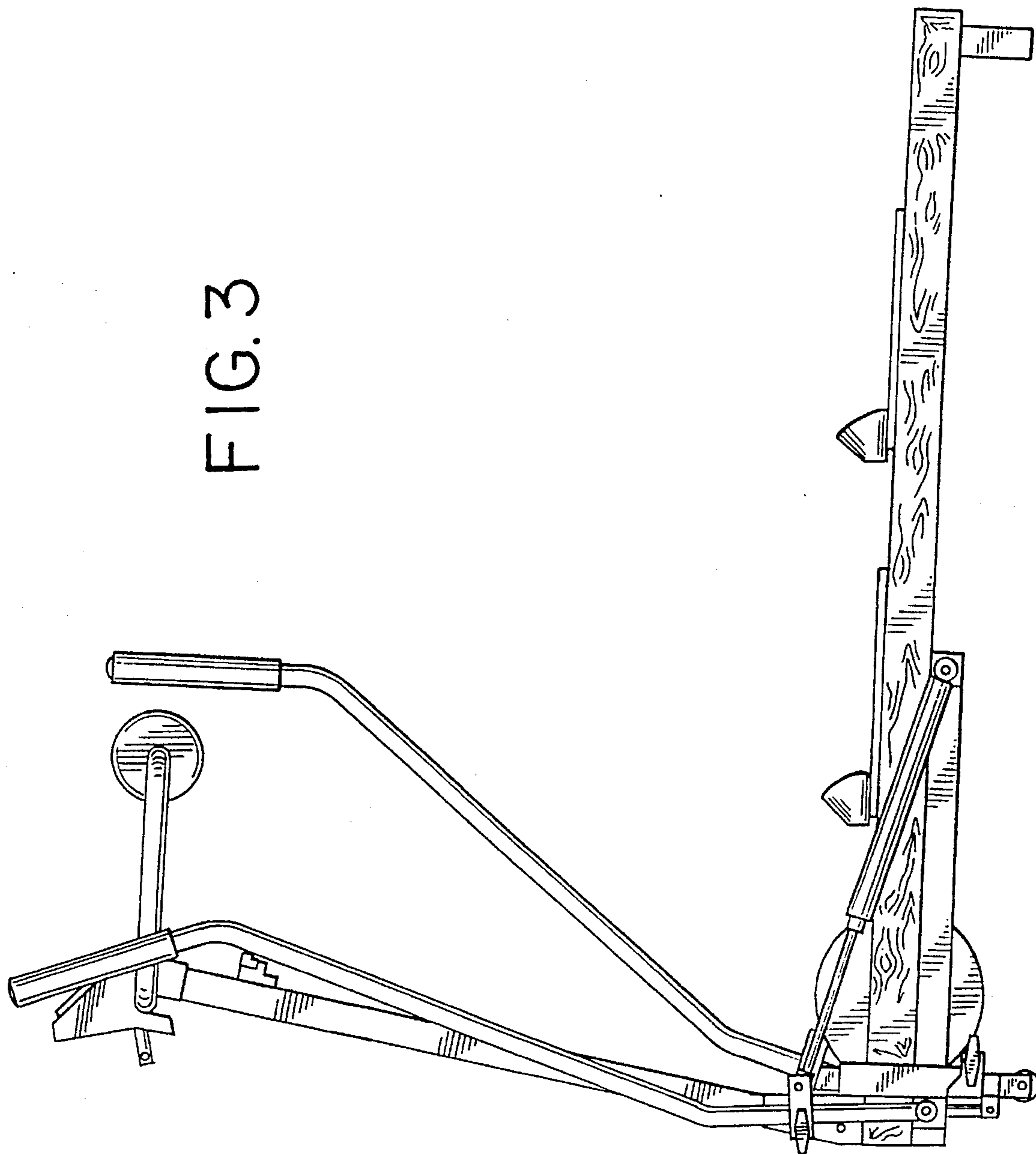


FIG. 5

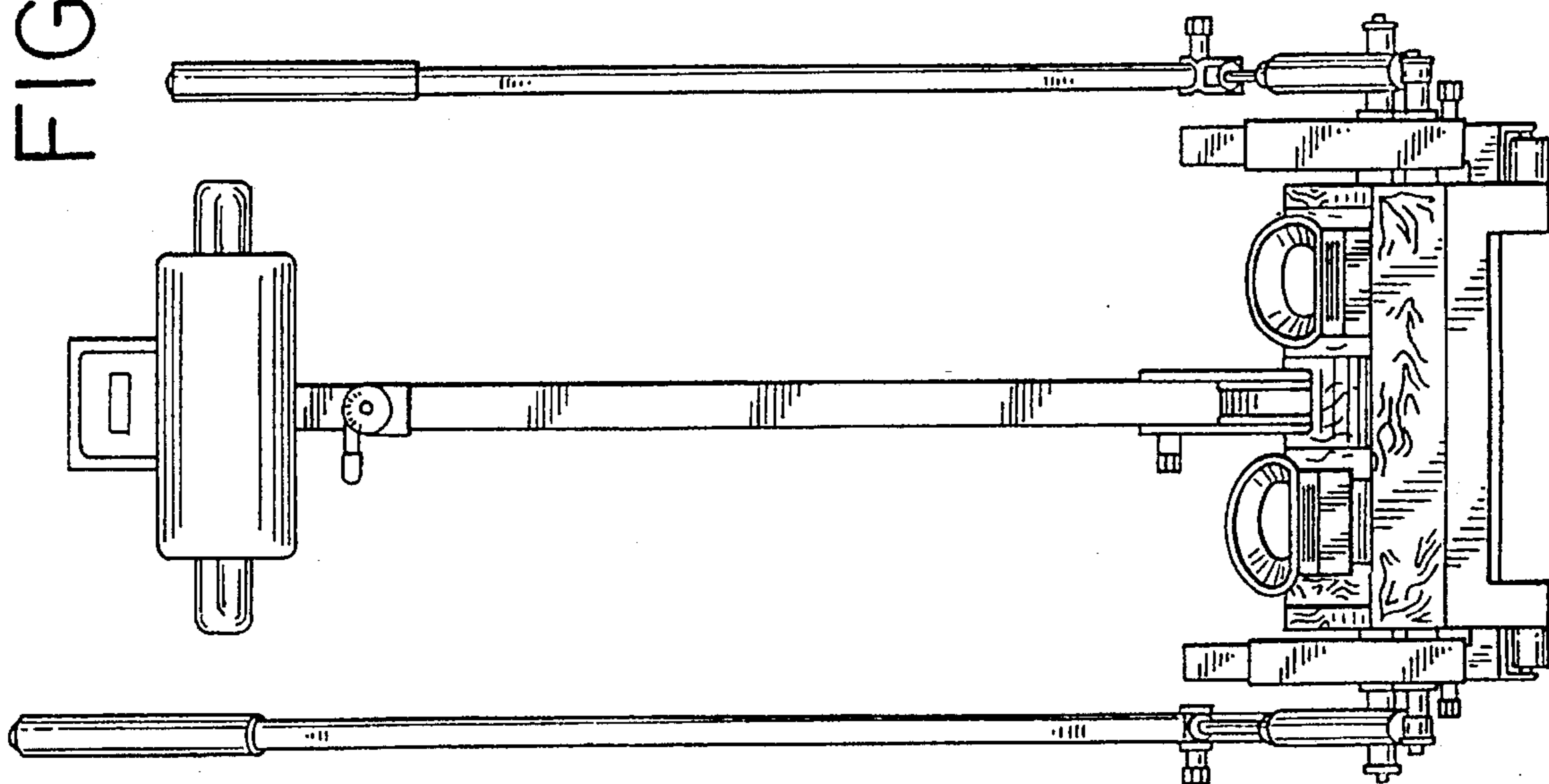
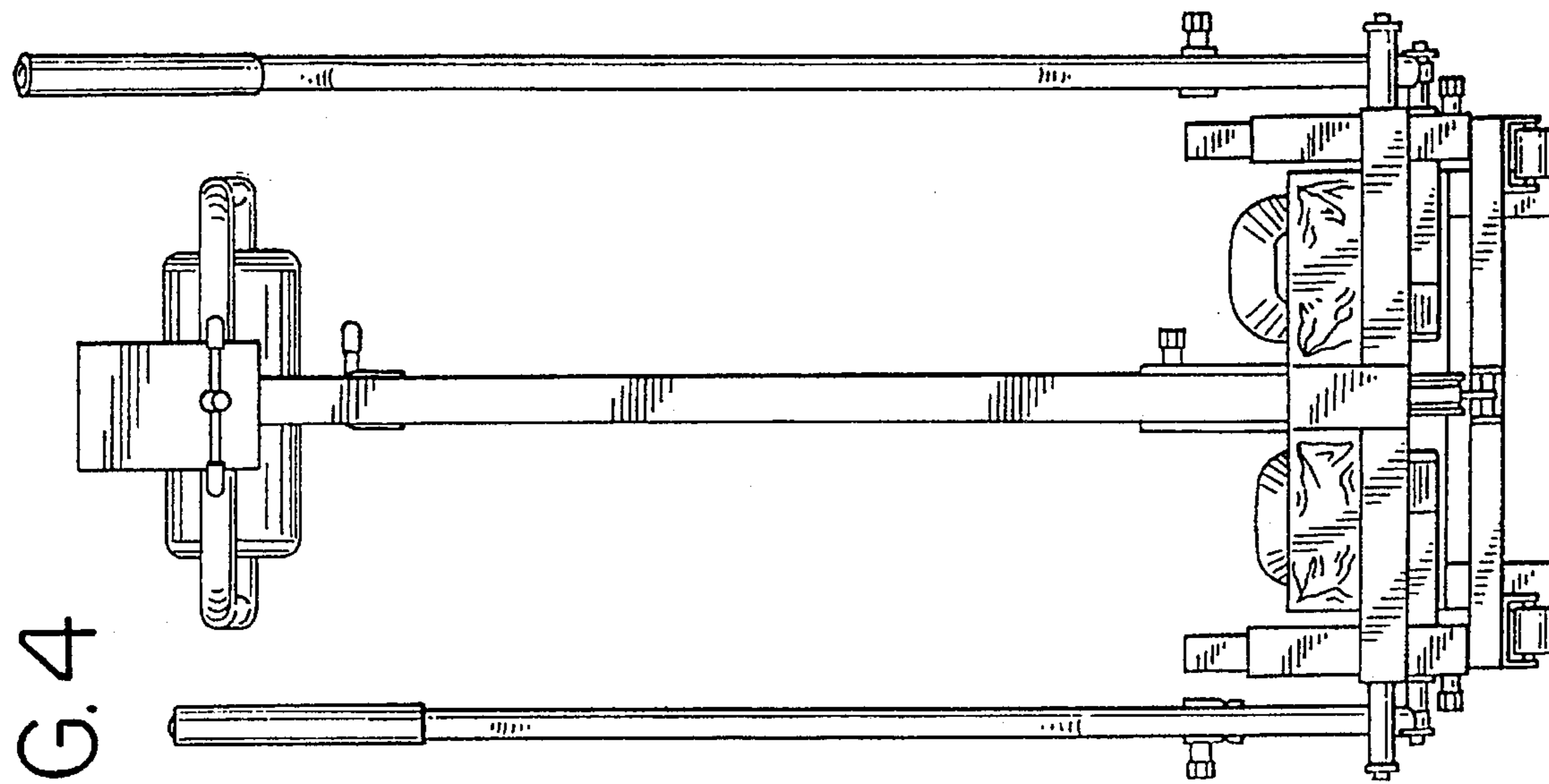


FIG. 4



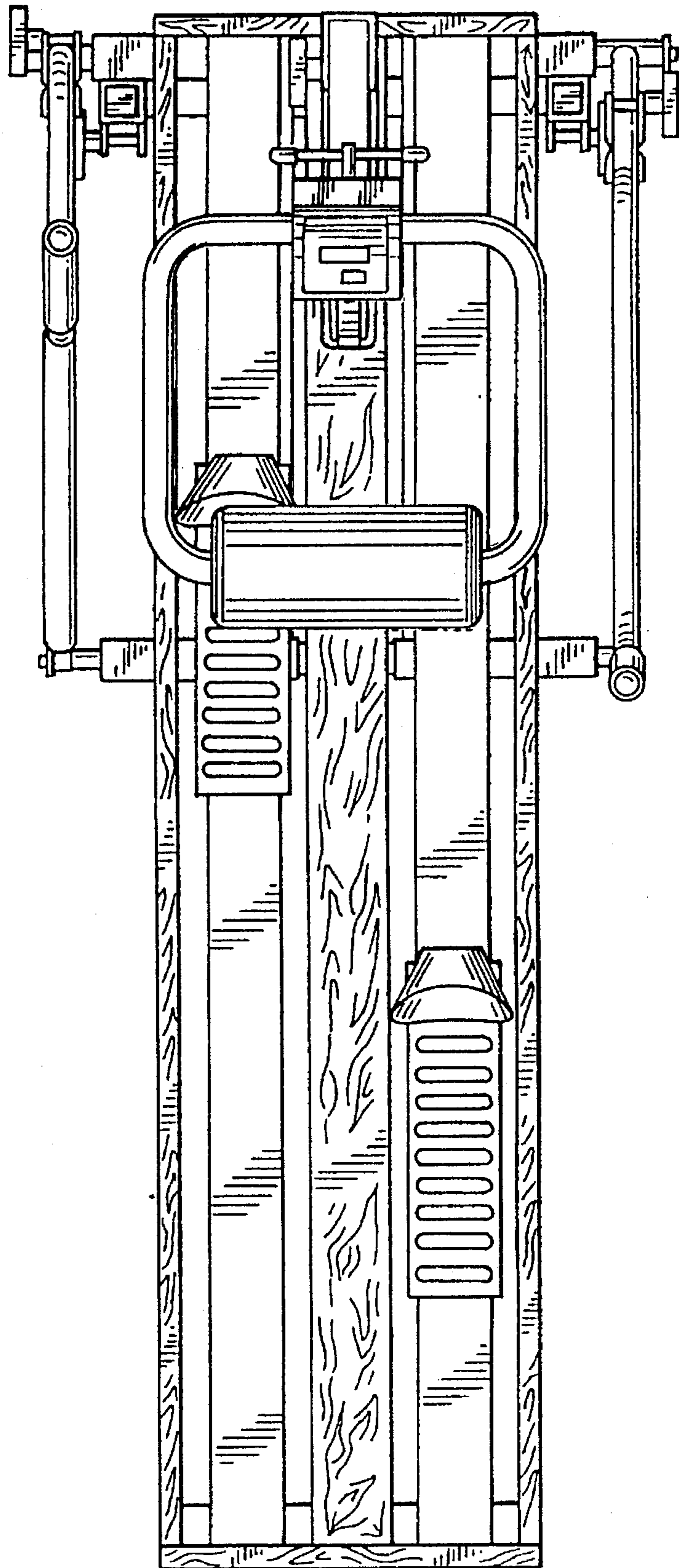


FIG. 6

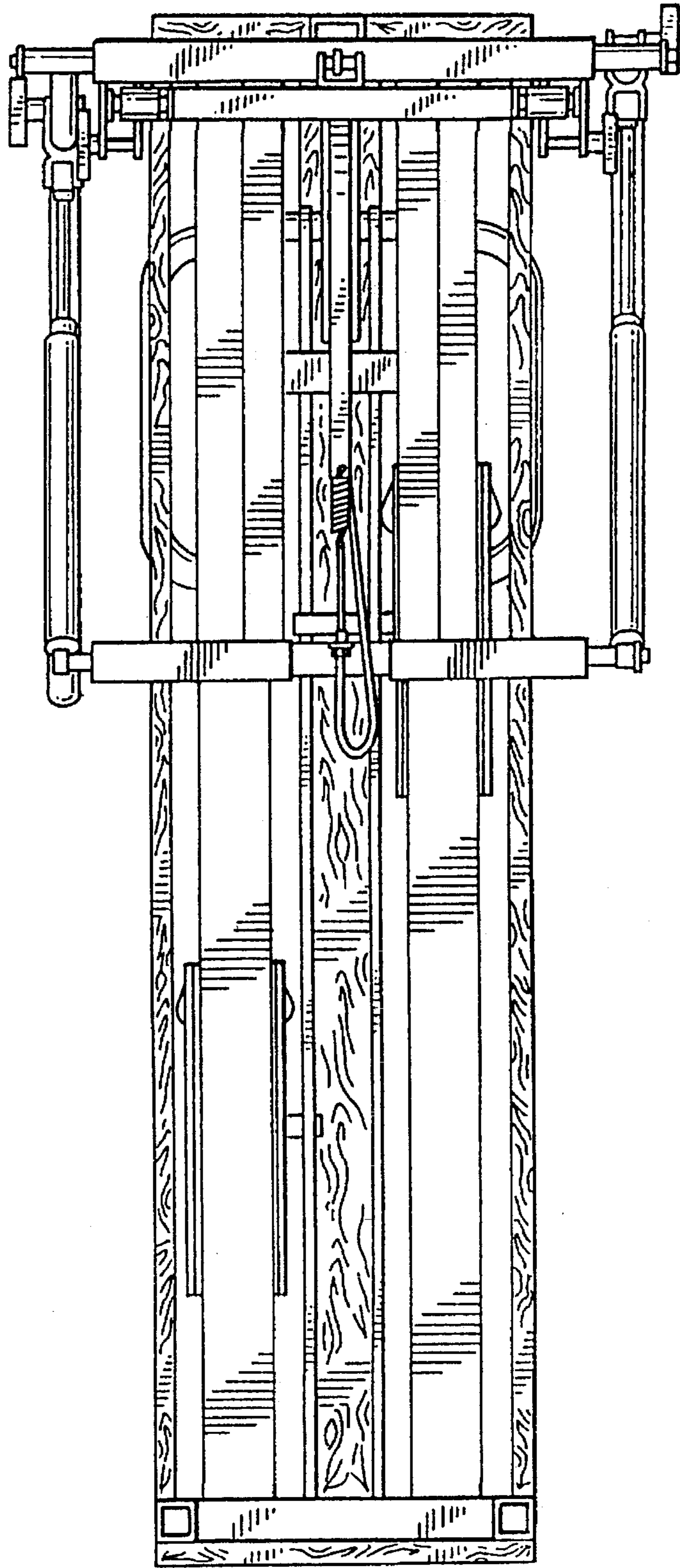


FIG. 7