



US00D375765S

United States Patent [19]
Kawasaki

[11] **Patent Number: Des. 375,765**
[45] **Date of Patent: **Nov. 19, 1996**

[54] **JOYSTICK ATTACHMENT FOR A CD ROM VIDEO GAME PLAYER**

D. 351,870 10/1994 Leung D21/48
5,207,426 5/1993 Inoue et al. 273/438 X
5,375,831 12/1994 Hsien-Chung 273/148 B

[75] Inventor: **Eikichi Kawasaki**, Suita, Japan

OTHER PUBLICATIONS

Hong Kong Enterprise, Oct. 1992, p. 512.

[73] Assignee: **SNK Corporation**, Suita, Japan

Primary Examiner—Prabhakar G. Deshmukh
Attorney, Agent, or Firm—Janet Kaiser Castaneda

[**] Term: **14 Years**

[21] Appl. No.: **31,880**

[57] **CLAIM**

[22] Filed: **Dec. 8, 1994**

The ornamental design for a joystick attachment for a CD ROM video game player, as shown and described.

[52] U.S. Cl. **D21/48**

[58] Field of Search D21/13, 48; 273/148 B,
273/433-438, DIG. 28; D14/125, 126,
217

DESCRIPTION

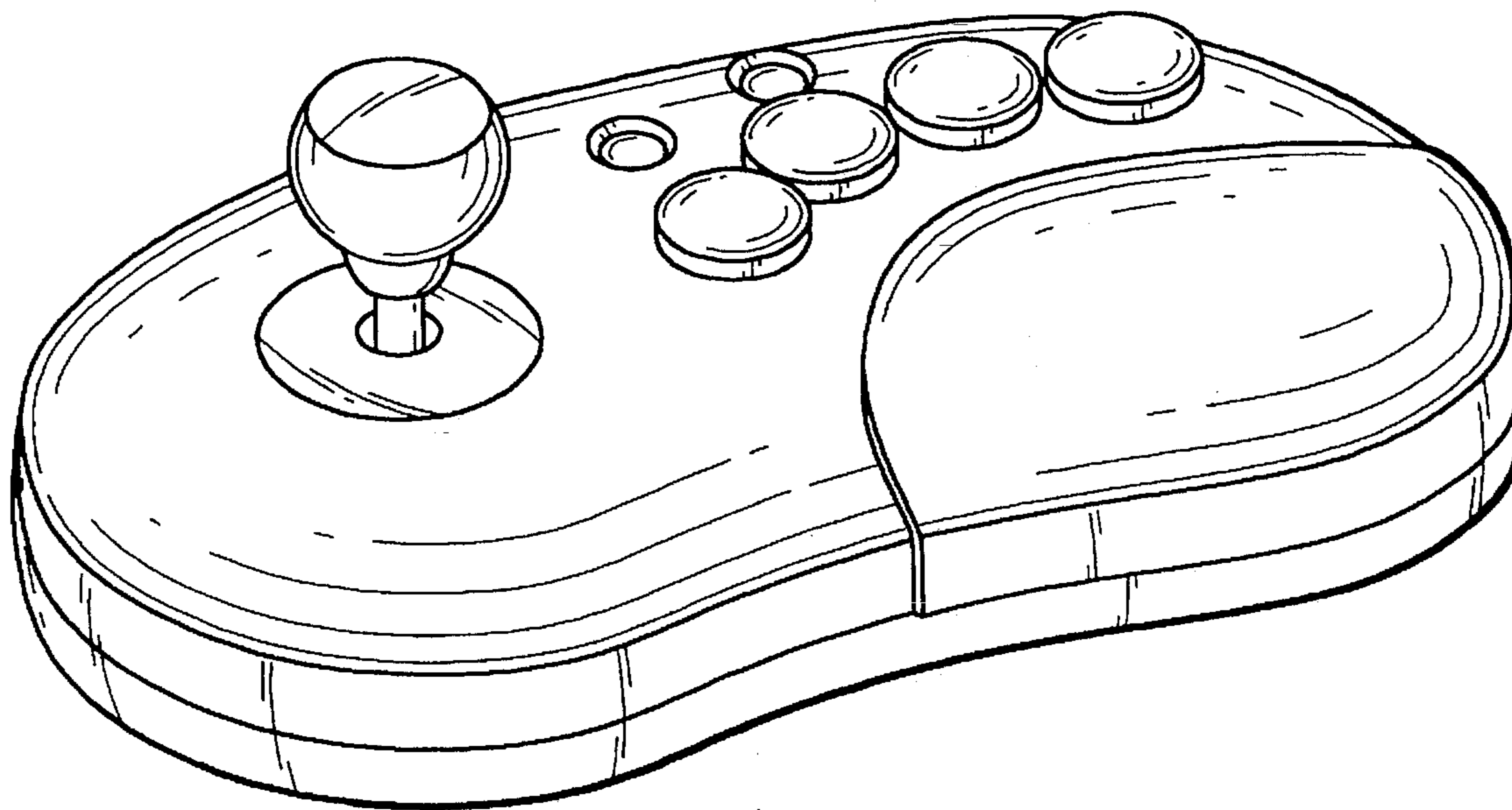
FIG. 1 is a front and left side perspective view of a joystick attachment for a CD ROM video game player showing my new design;
FIG. 2 is a top plan view thereof;
FIG. 3 is a front elevational view thereof;
FIG. 4 is a bottom plan view thereof;
FIG. 5 is a rear elevational view thereof;
FIG. 6 is a right side elevational view thereof; and,
FIG. 7 is a left side elevational view thereof.

[56] **References Cited**

U.S. PATENT DOCUMENTS

D. 318,074 7/1991 Haung D21/48
D. 338,242 8/1993 Cordell D21/48
D. 340,748 10/1993 Li D21/48
D. 342,550 12/1993 Lin D21/48
D. 351,430 10/1994 Barr D21/48

1 Claim, 3 Drawing Sheets



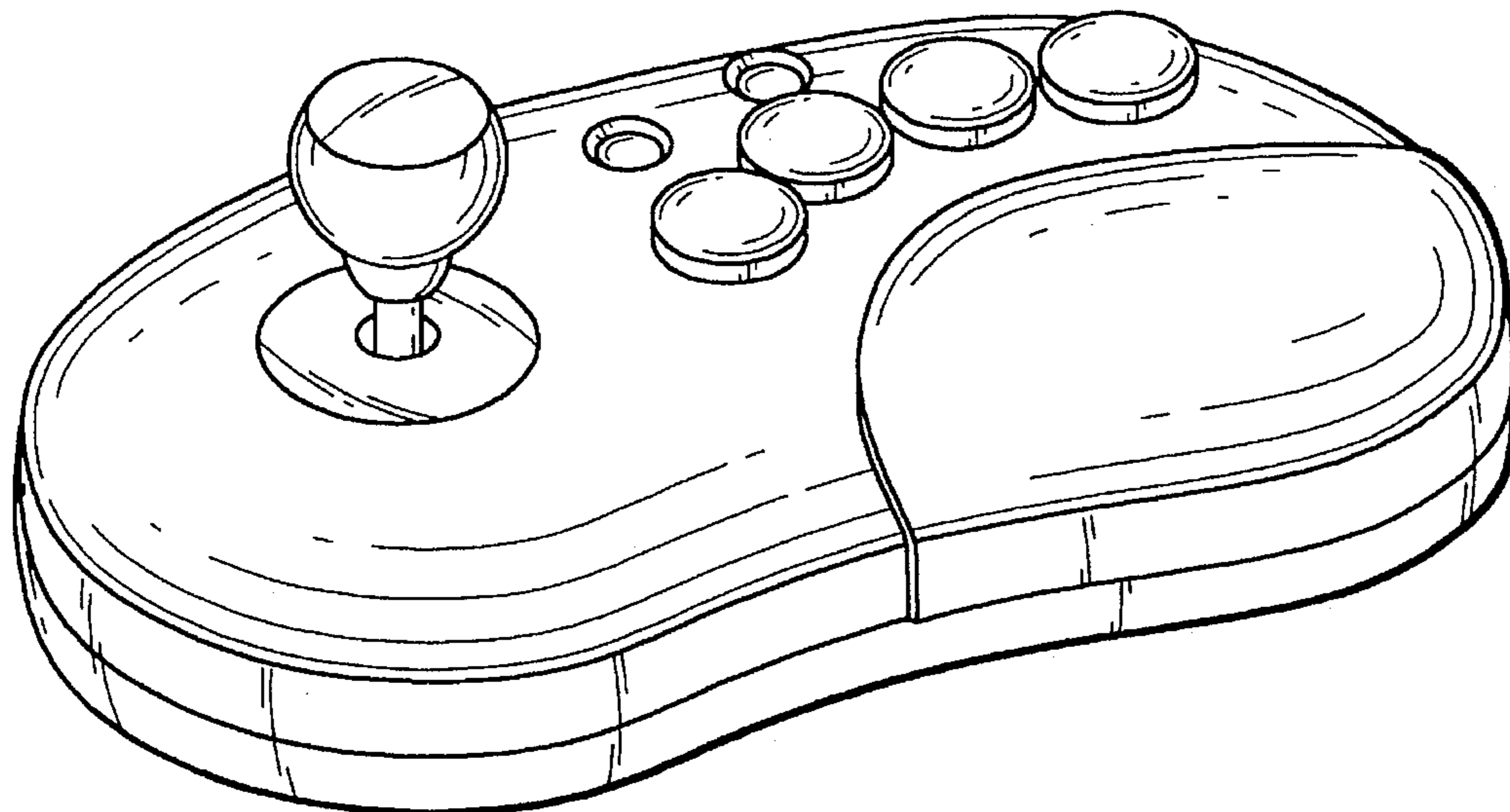


FIG. 1

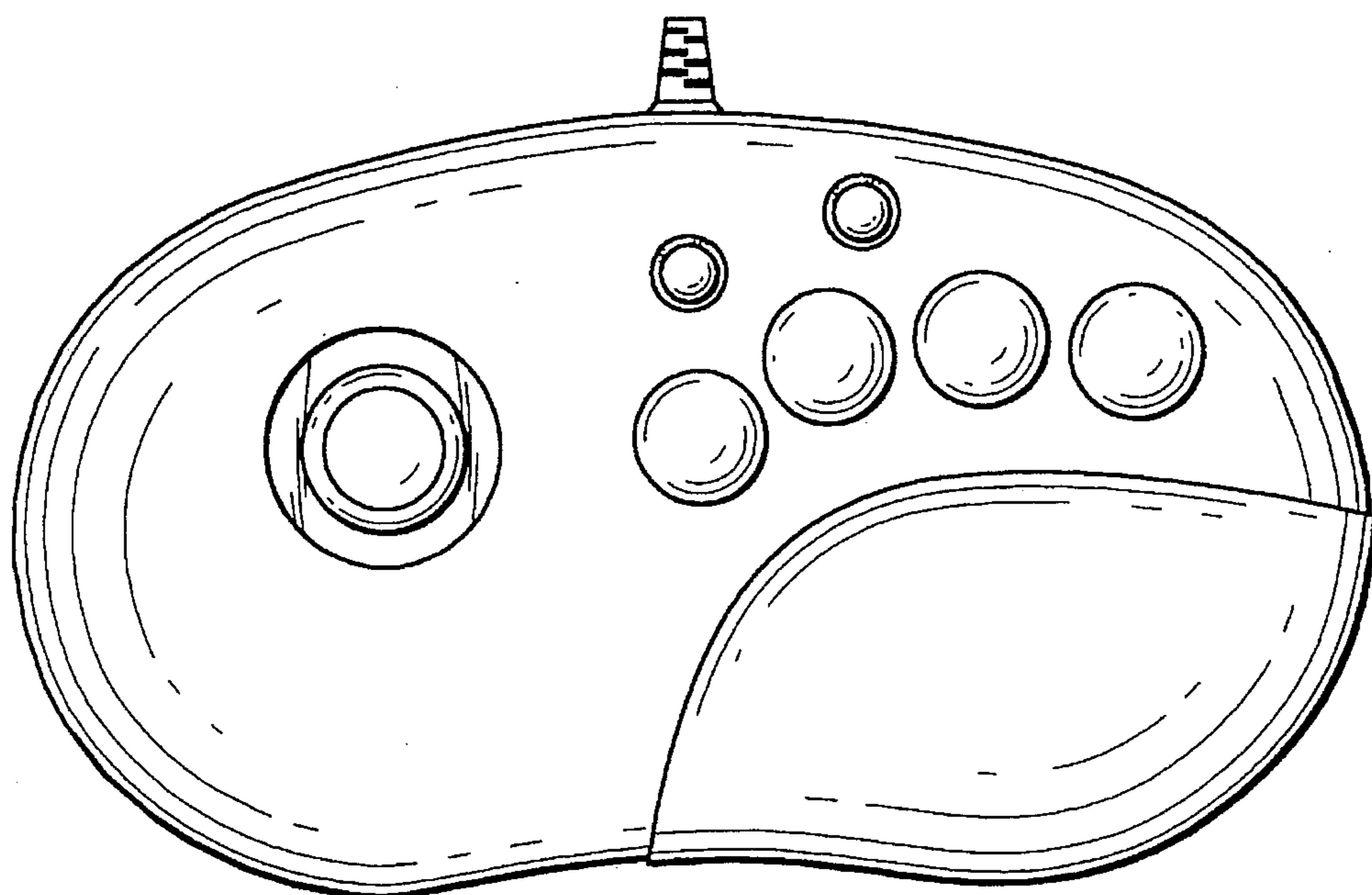


FIG. 2

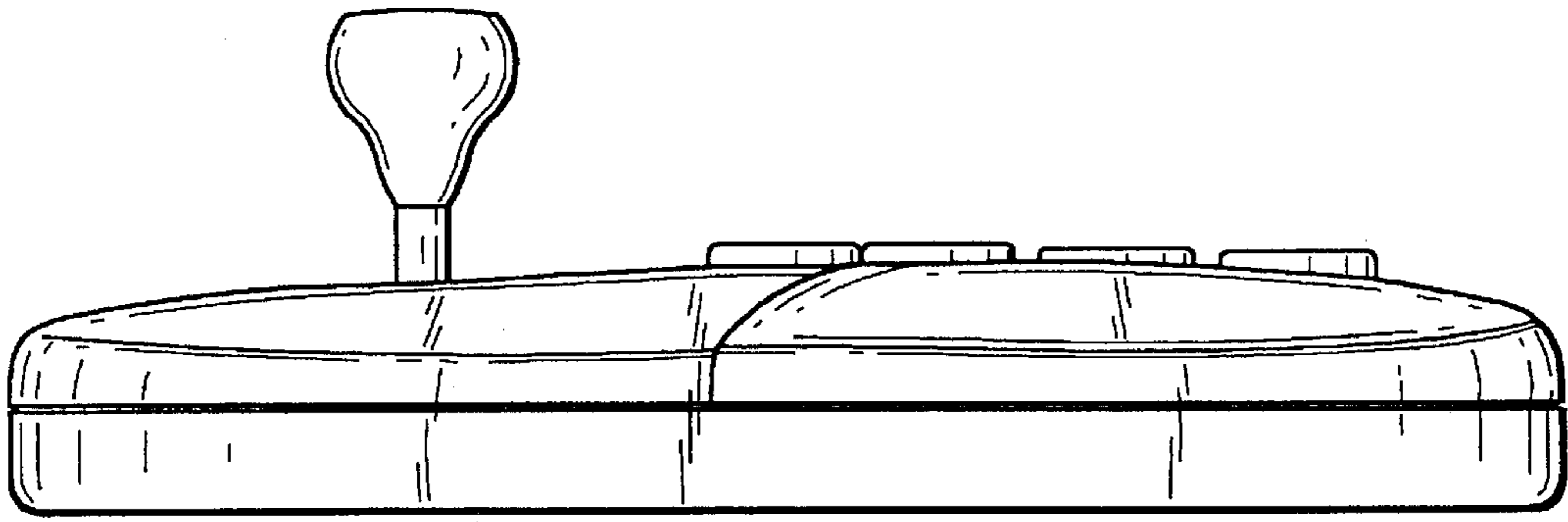


FIG. 3

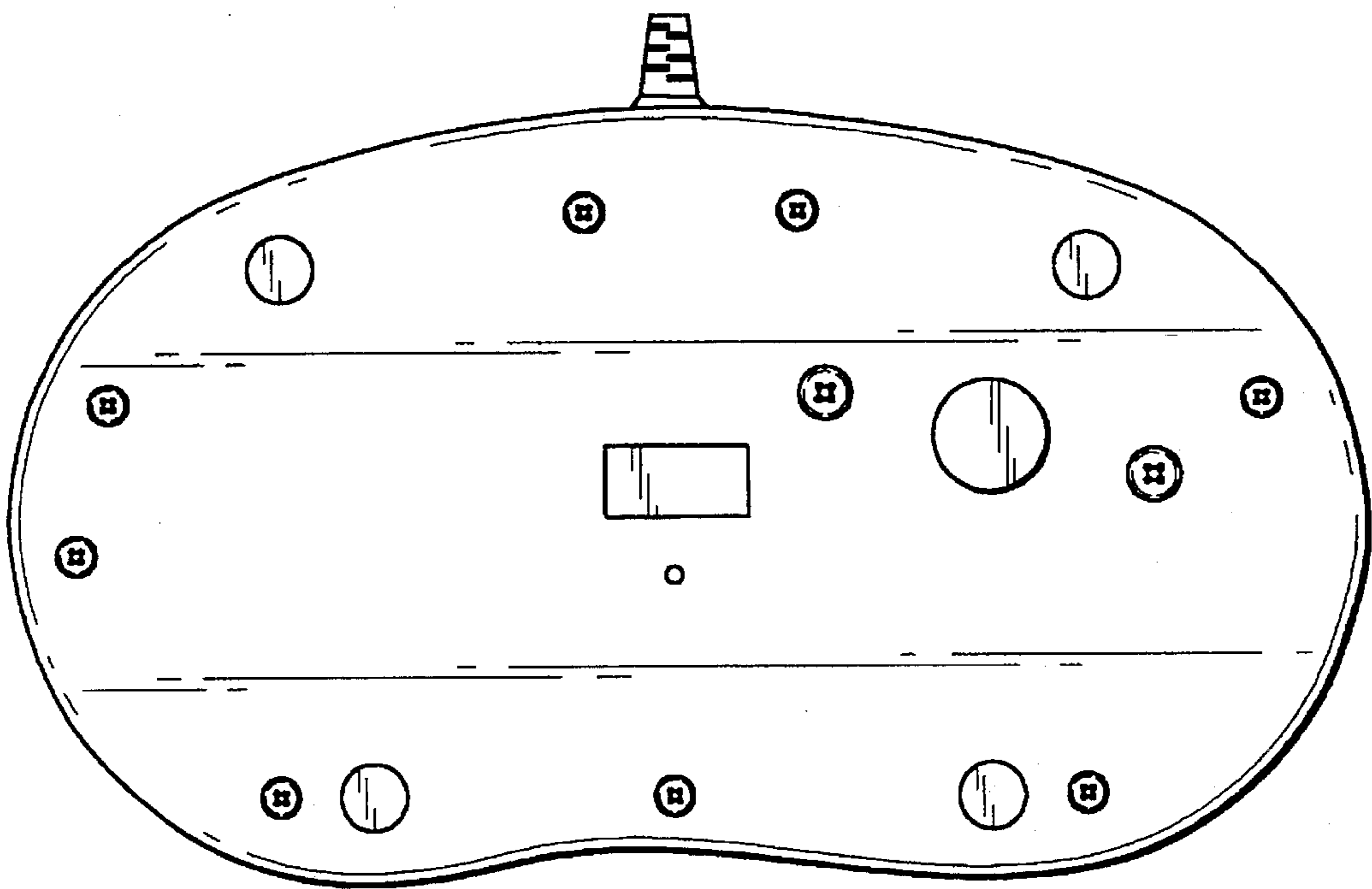


FIG. 4

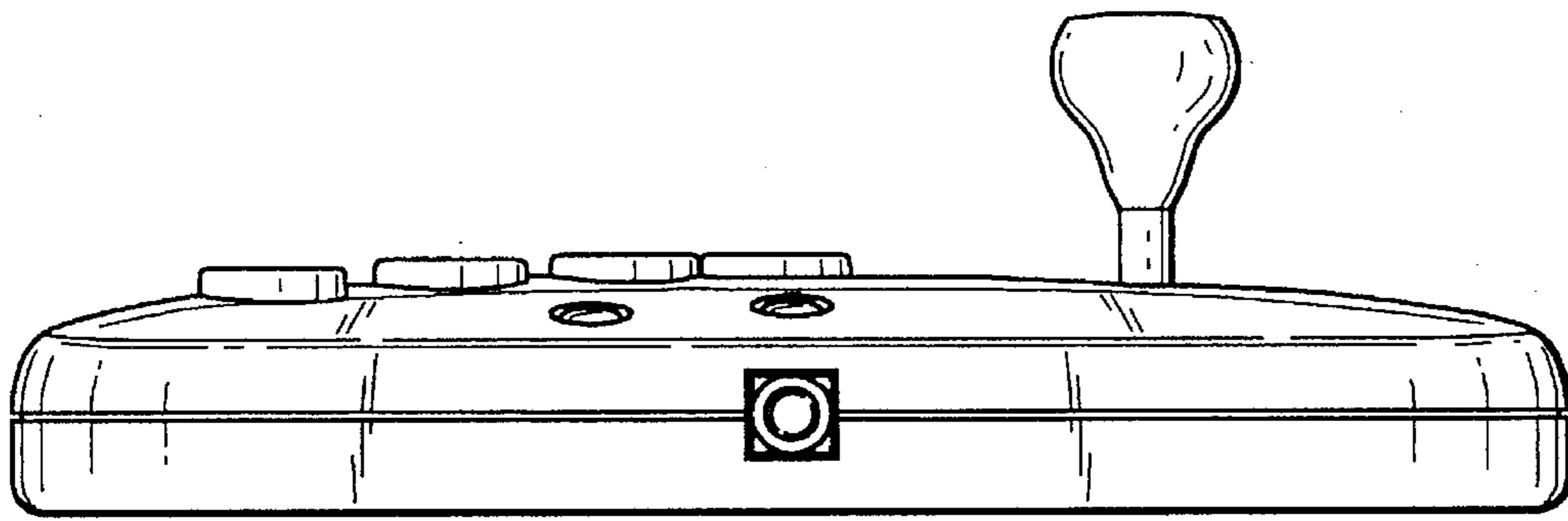


FIG. 5

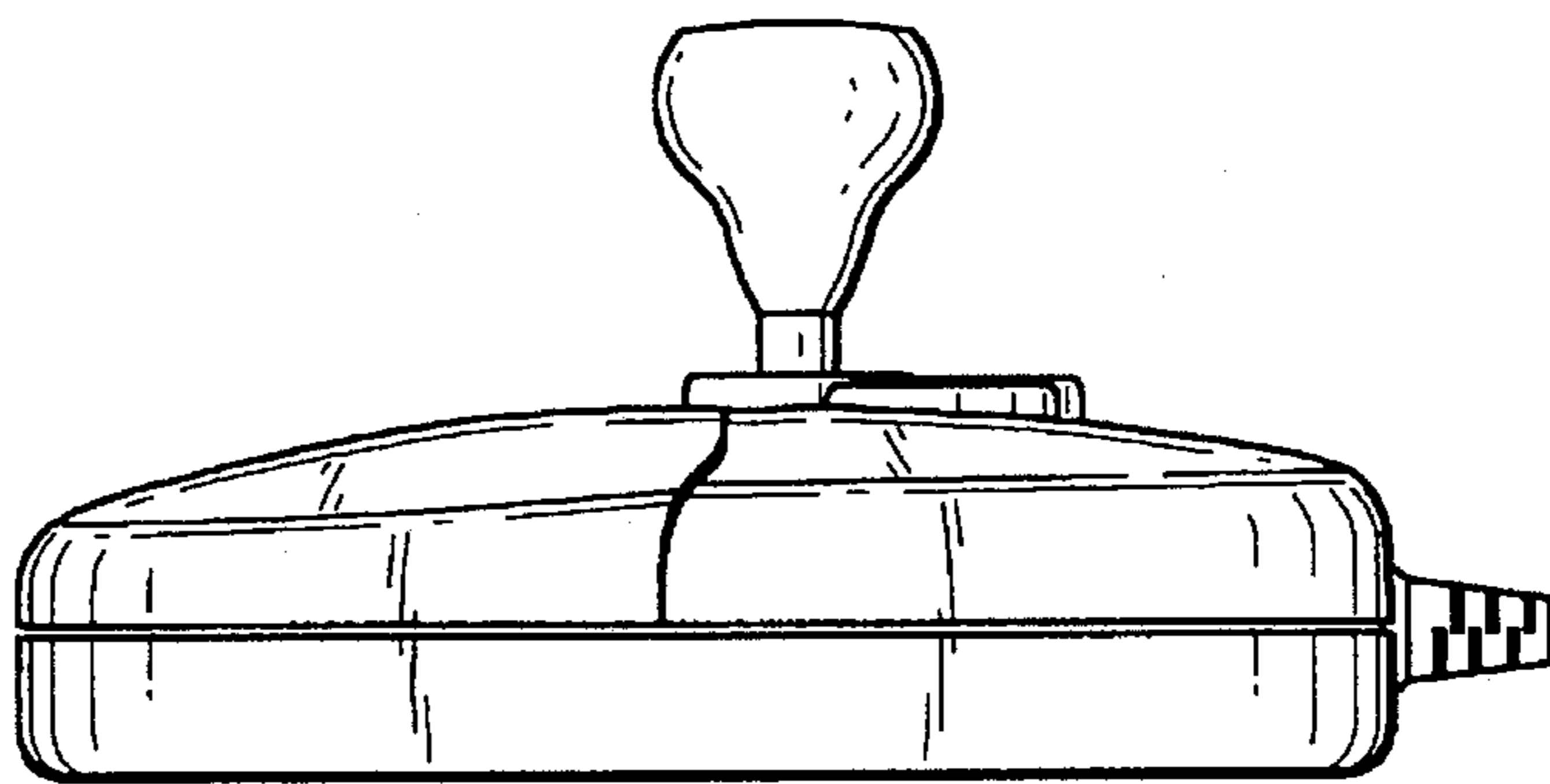


FIG. 6

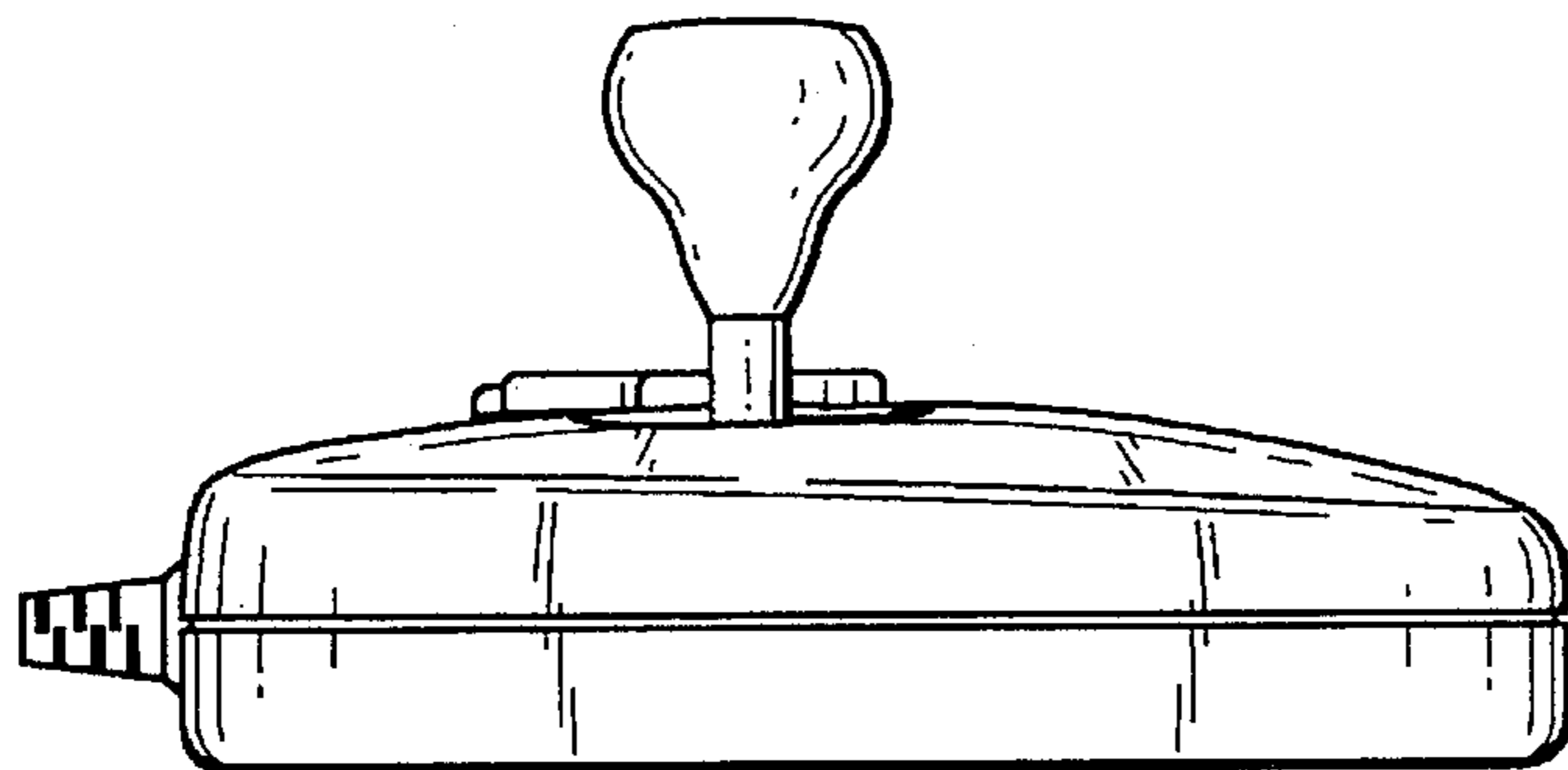


FIG. 7