



US00D375764S

**United States Patent** [19]  
**Hollinger**

[11] **Patent Number:** **Des. 375,764**

[45] **Date of Patent:** **\*\*Nov. 19, 1996**

[54] **RANDOM NUMBER SELECTOR GAME**

[75] **Inventor:** **Fred Hollinger, Kings Park, N.Y.**

[73] **Assignee:** **E & B Giftware, Inc., Mt. Vernon, N.Y.**

[\*\*] **Term:** **14 Years**

[21] **Appl. No.:** **43,590**

[22] **Filed:** **Sep. 7, 1995**

[52] **U.S. Cl.** ..... **D21/37**

[58] **Field of Search** ..... **D21/37, 41; 273/144 A, 273/144 B, 144 R**

[56] **References Cited**

**U.S. PATENT DOCUMENTS**

|            |         |                 |       |             |
|------------|---------|-----------------|-------|-------------|
| D. 151,562 | 10/1948 | Southwell       | ..... | D21/41      |
| D. 317,471 | 6/1991  | Rizzo et al.    | ..... | D21/37      |
| D. 327,712 | 7/1992  | Matalavage      | ..... | D21/37      |
| 2,639,153  | 5/1953  | Murray          | ..... | D21/41 X    |
| 4,930,779  | 6/1990  | Maddox          | ..... | D21/37 X    |
| 5,419,557  | 5/1995  | Kirkland et al. | ..... | 273/144 A X |

*Primary Examiner*—Ted Shooman  
*Assistant Examiner*—Mitchell I. Siegel  
*Attorney, Agent, or Firm*—Stanley J. Yavner

[57] **CLAIM**

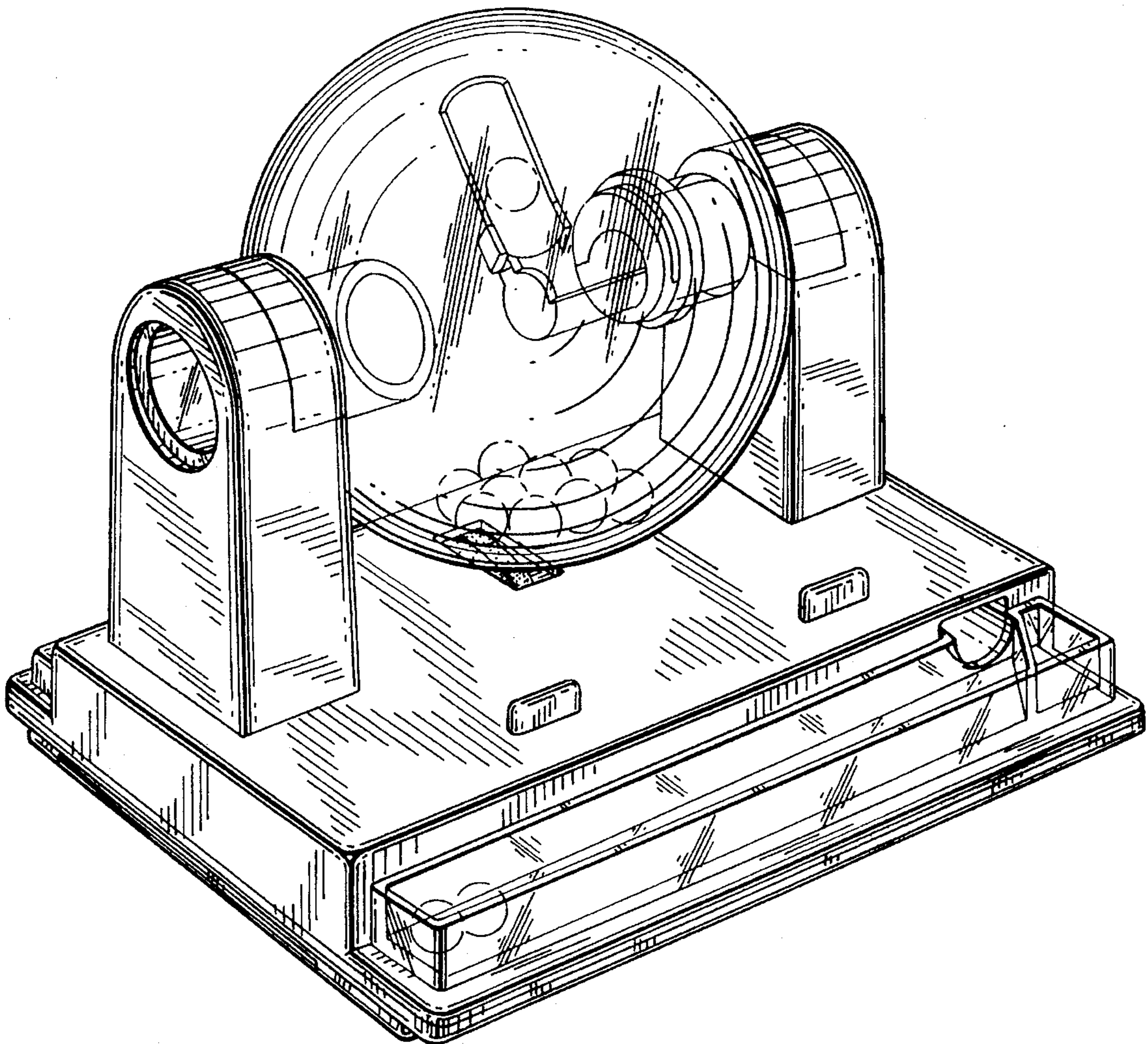
The ornamental design for a random number selector game, as shown and described.

**DESCRIPTION**

FIG. 1 is a front, left side and top isometric view of the random number selector game embodying my new design; FIG. 2 is a top plan view thereof; FIG. 3 is a left side elevational view thereof; FIG. 4 is a front elevational view thereof; FIG. 5 is a right side elevational view thereof; FIG. 6 is a rear elevational view thereof; and, FIG. 7 is a bottom plan view thereof.

The broken line showing of the balls in FIG. 1 is for illustrative purposes only and forms no part of the claimed design.

**1 Claim, 4 Drawing Sheets**



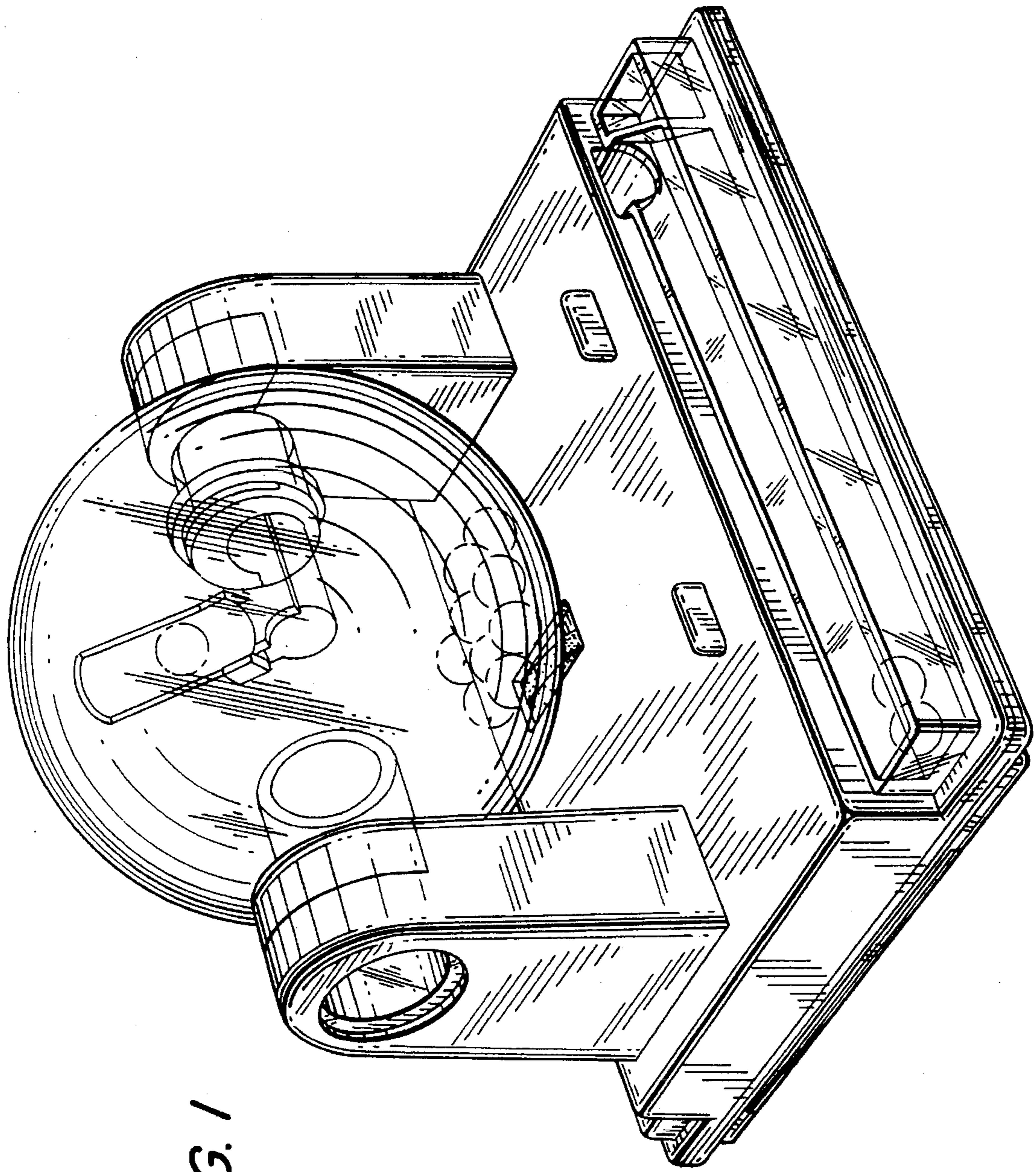
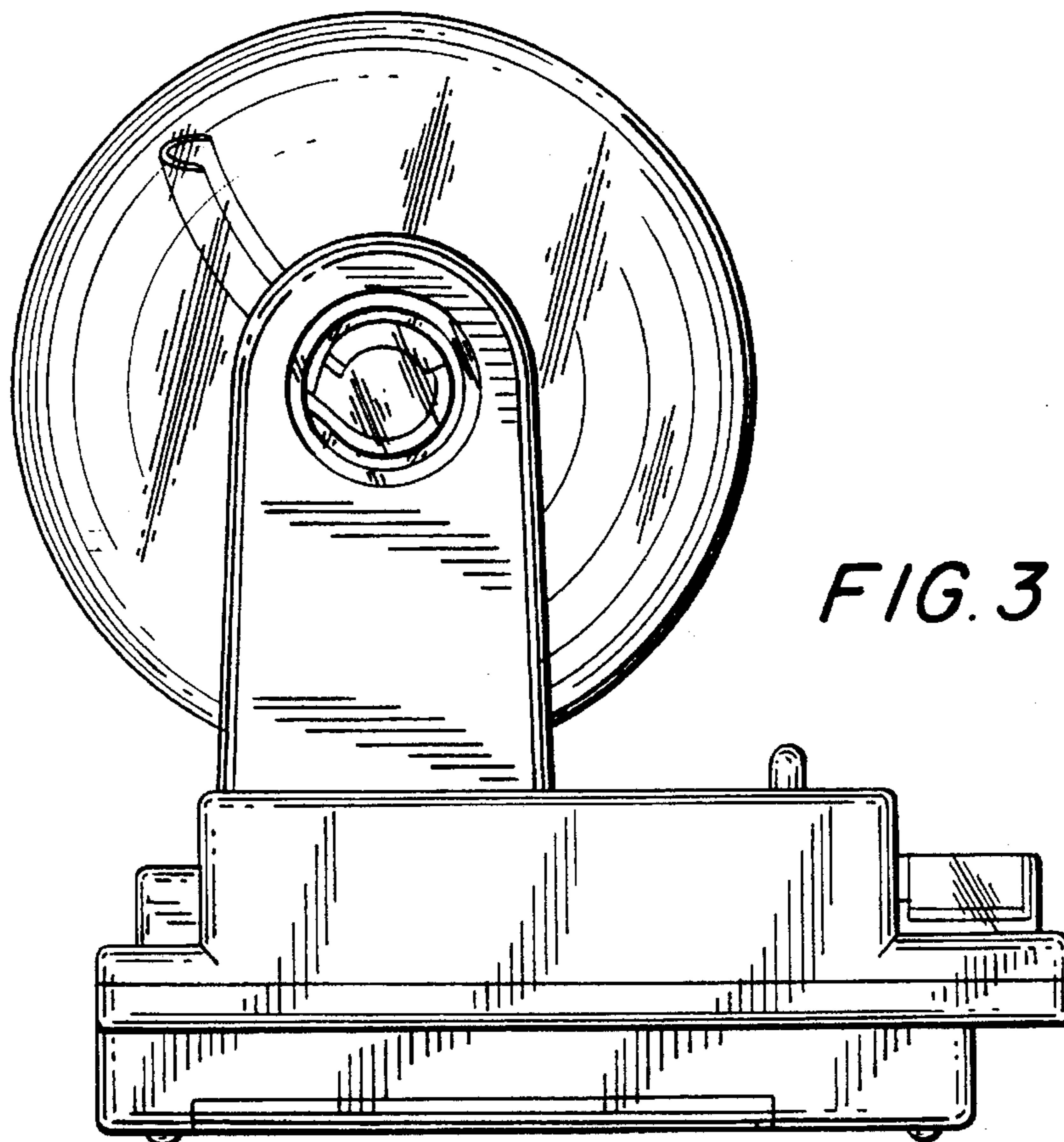
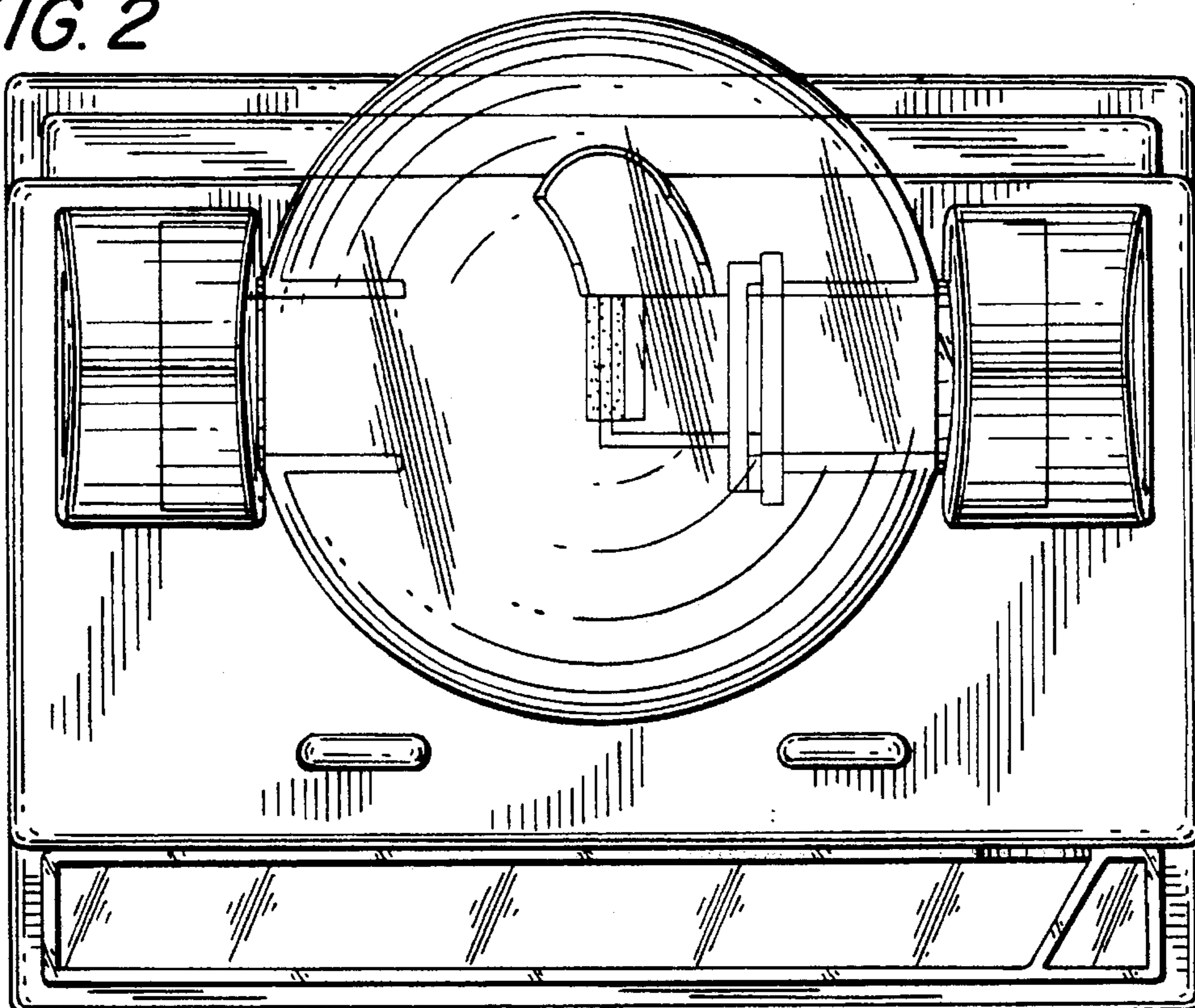


FIG. 1

*FIG. 2*



*FIG. 3*

FIG. 5

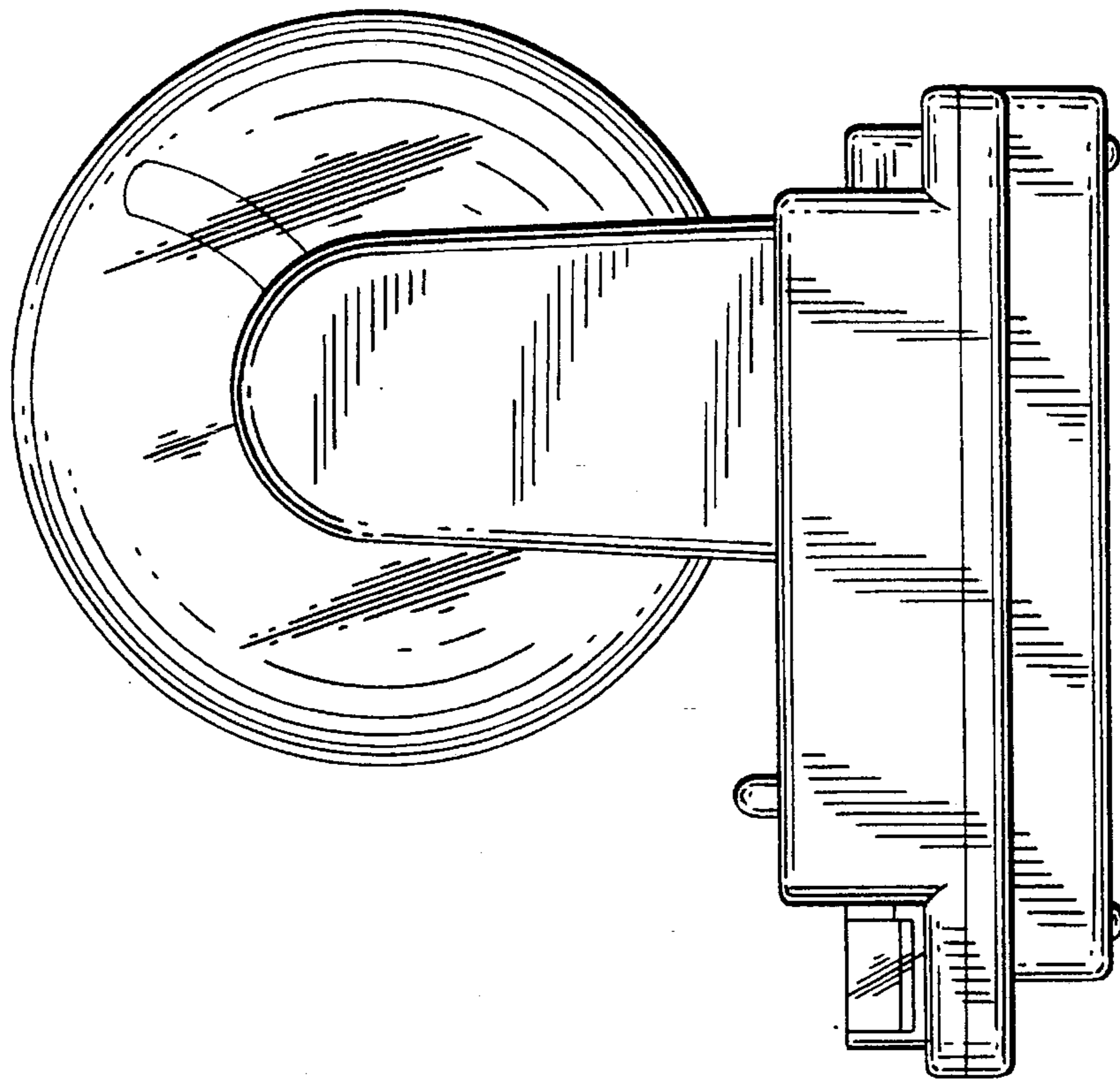


FIG. 4

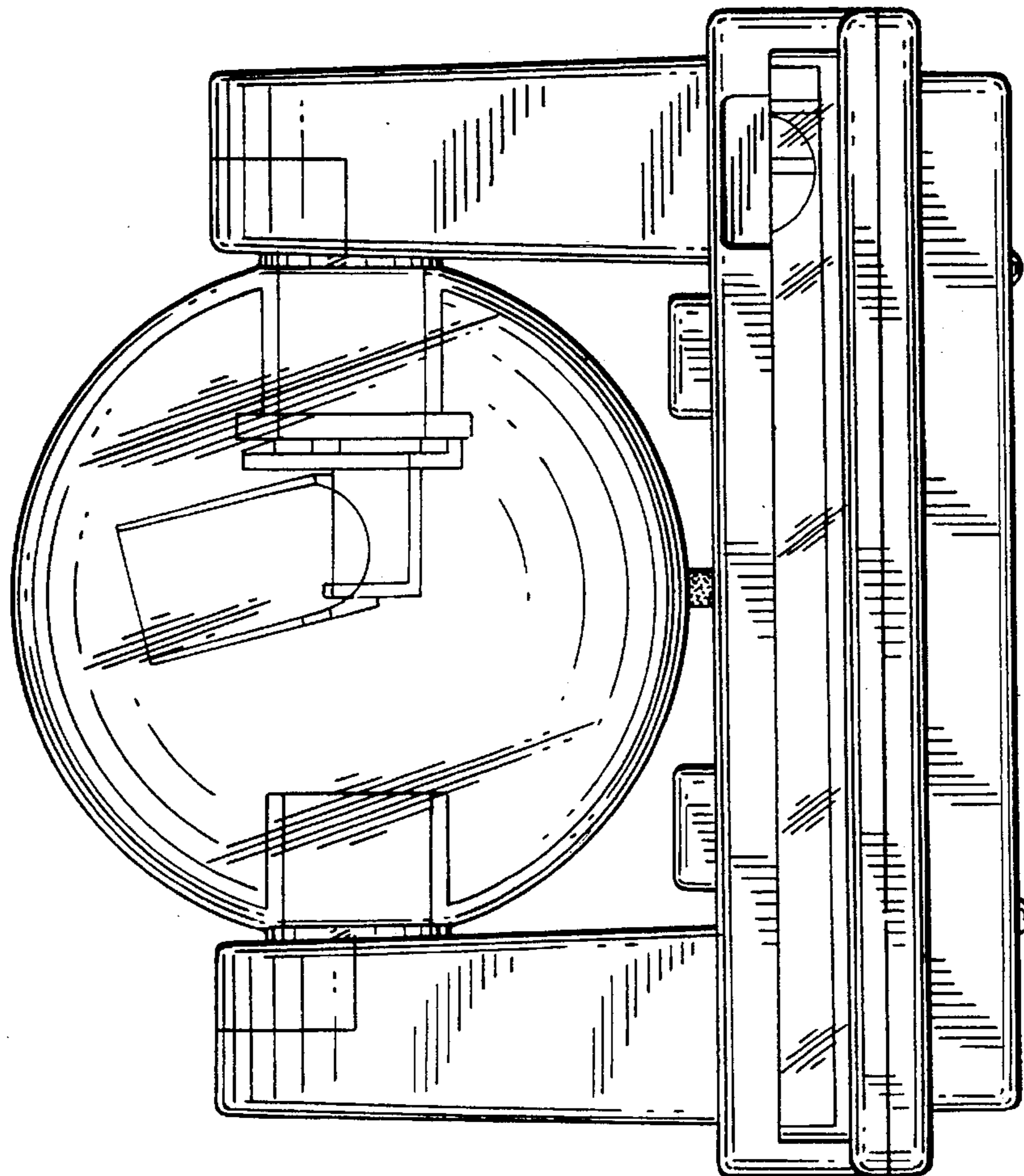


FIG. 6

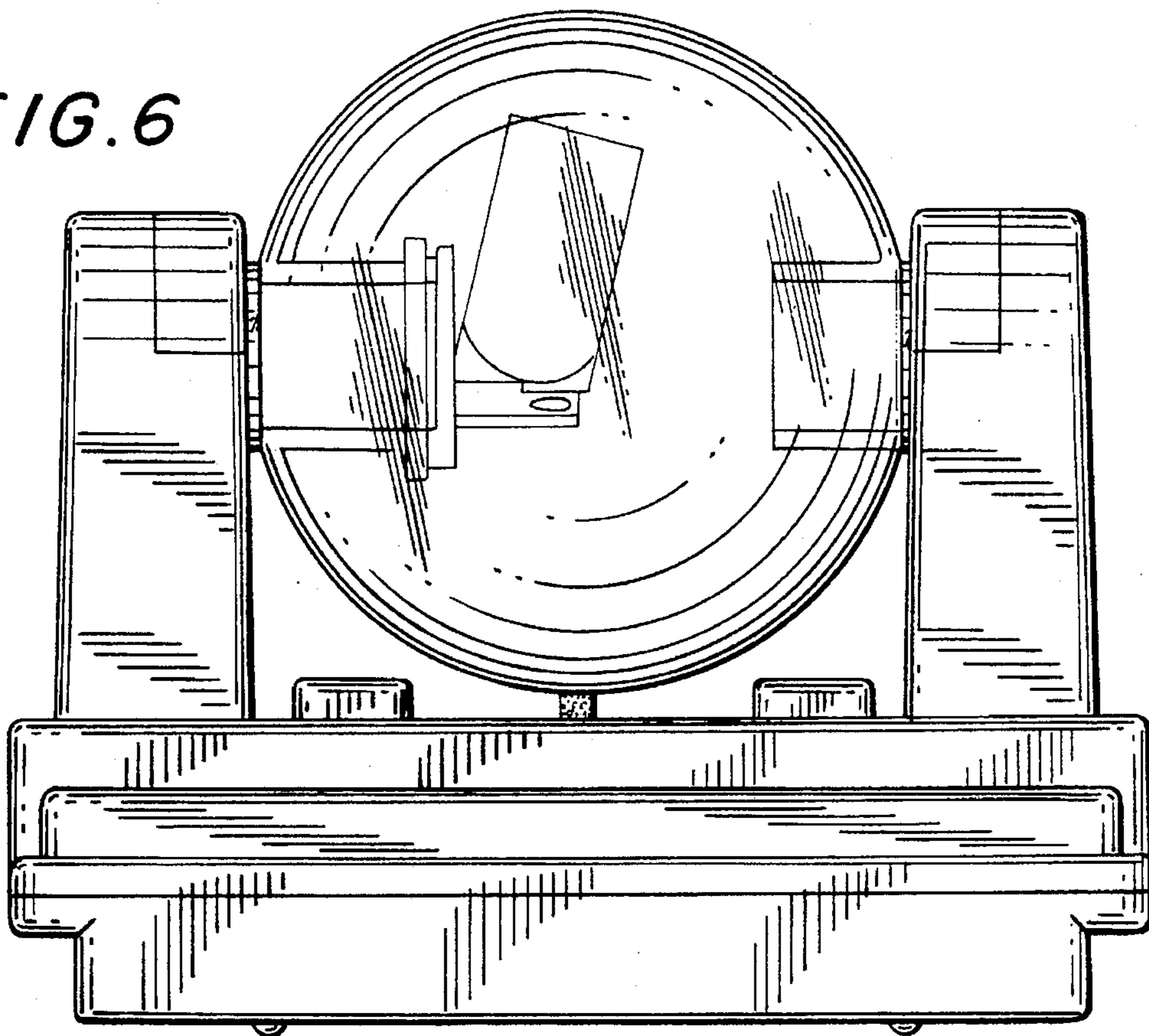
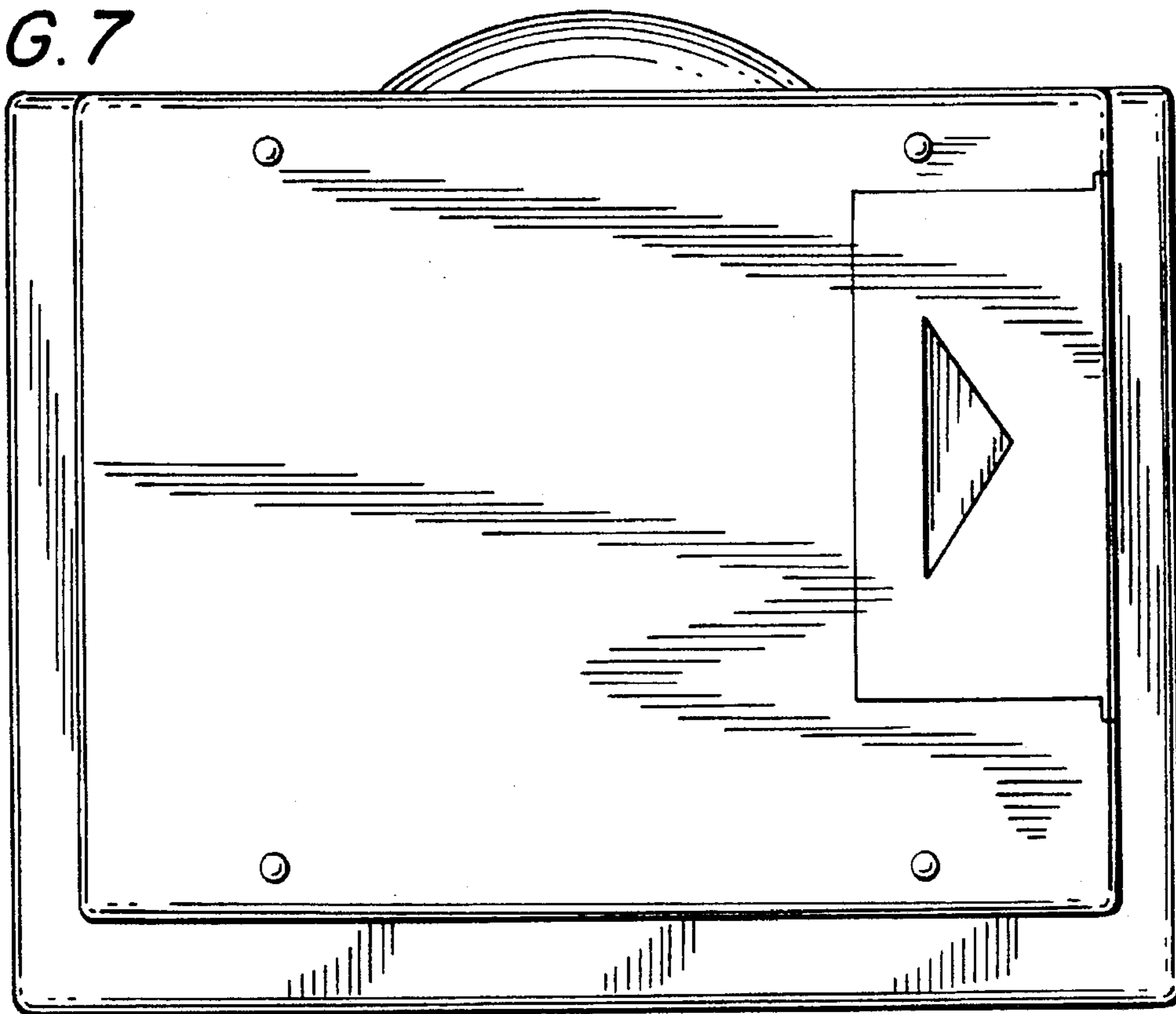


FIG. 7



**Disclaimer and Dedication**

D. 375,764—Fred Hollinger, Kings Park, N.Y. RANDOM NUMBER SELECTOR GAME. Patent dated Nov. 19, 1996. Disclaimer and Dedication filed Nov. 19, 1996, by the assignee, E & B Giftware, Inc.

Hereby disclaims and dedicates to the Public the entire term of said patent.  
(*Official Gazette*, September 9, 1997)