



US00D375754S

United States Patent [19]
Miyahara

[11] **Patent Number: Des. 375,754**

[45] **Date of Patent: **Nov. 19, 1996**

[54] **BINOCULARS WITH RADIO RECEIVER**

[75] Inventor: **Akihiro Miyahara**, Kunitachi, Japan

[73] Assignee: **Casio Computer Co., Ltd.**, Tokyo, Japan

[**] Term: **14 Years**

[21] Appl. No.: **29,972**

[22] Filed: **Oct. 20, 1994**

[52] **U.S. Cl.** **D16/133; D14/168**

[58] **Field of Search** **D16/132, 133; 359/407-418, 480-482; D14/155, 165, 168, 188-189, 192, 194, 197-198; 455/66, 344**

[56] **References Cited**

U.S. PATENT DOCUMENTS

D. 206,462	12/1966	Petrusek	D16/133
D. 310,675	9/1990	Lu	D16/133
D. 351,398	10/1994	Meinzer	D16/133
D. 353,388	12/1994	Matsushita	D16/133
3,761,815	9/1973	Bower	359/418 X
4,035,731	7/1977	Dixon	D16/133 X

OTHER PUBLICATIONS

Hammacher Schlemmer, Late Spring 1991, p. 9, See Item #45806H.

Hong Kong Enterprise, Oct. 1993, p. 207, See Item #9210.

Primary Examiner—James M. Gandy

Assistant Examiner—Stacia Sinuik

Attorney, Agent, or Firm—Frishauf, Holtz, Goodman, Langer & Chick

[57] **CLAIM**

The ornamental design for binoculars with radio receiver, as shown.

DESCRIPTION

FIG. 1 is a front elevational view of binoculars with radio receiver showing my new design;

FIG. 2 is a right side elevational view thereof;

FIG. 3 is a left side elevational view thereof;

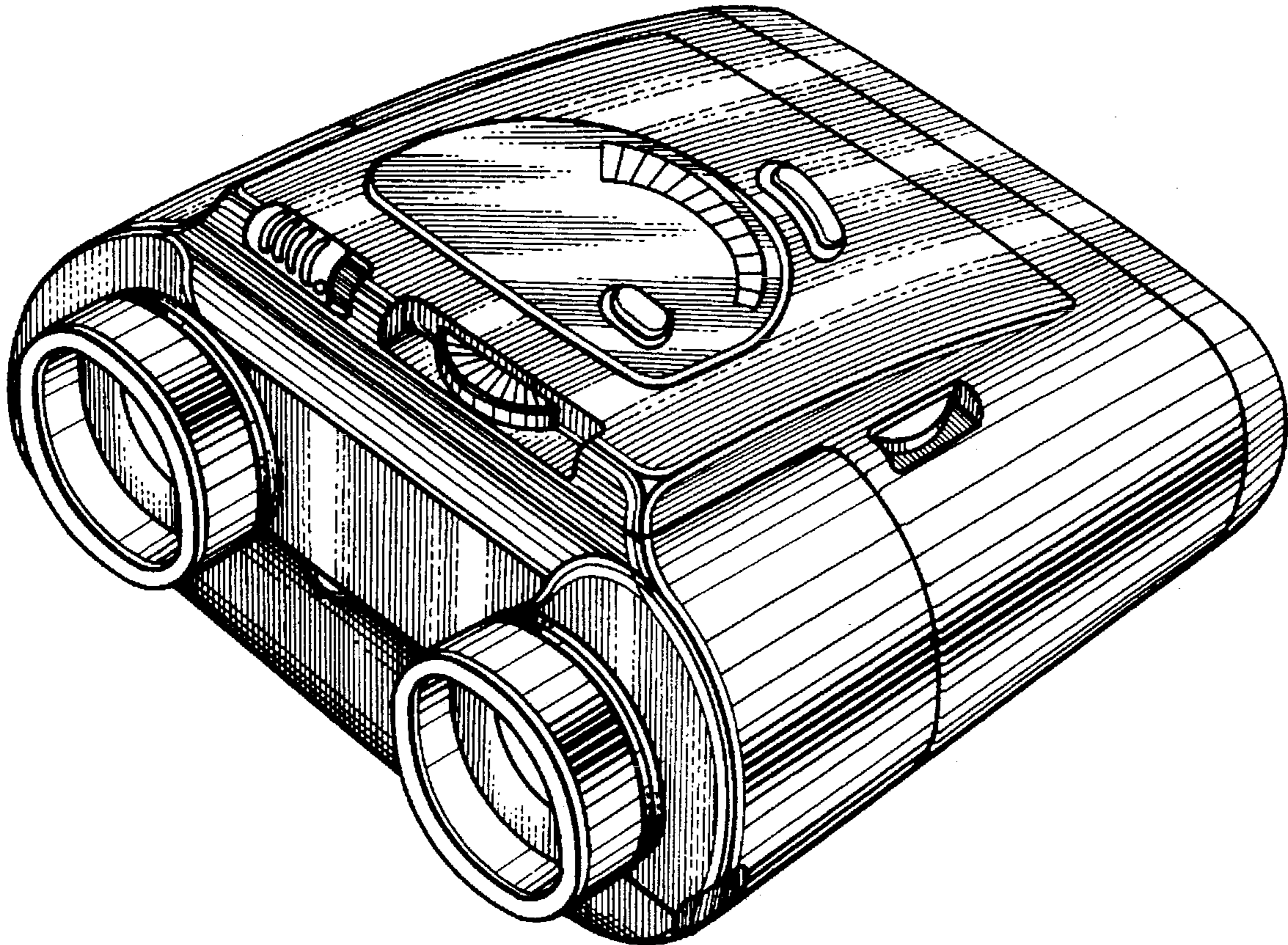
FIG. 4 is a top plan view thereof;

FIG. 5 is a bottom plan view thereof;

FIG. 6 is a rear elevational view thereof; and,

FIG. 7 is a perspective view thereof.

1 Claim, 2 Drawing Sheets



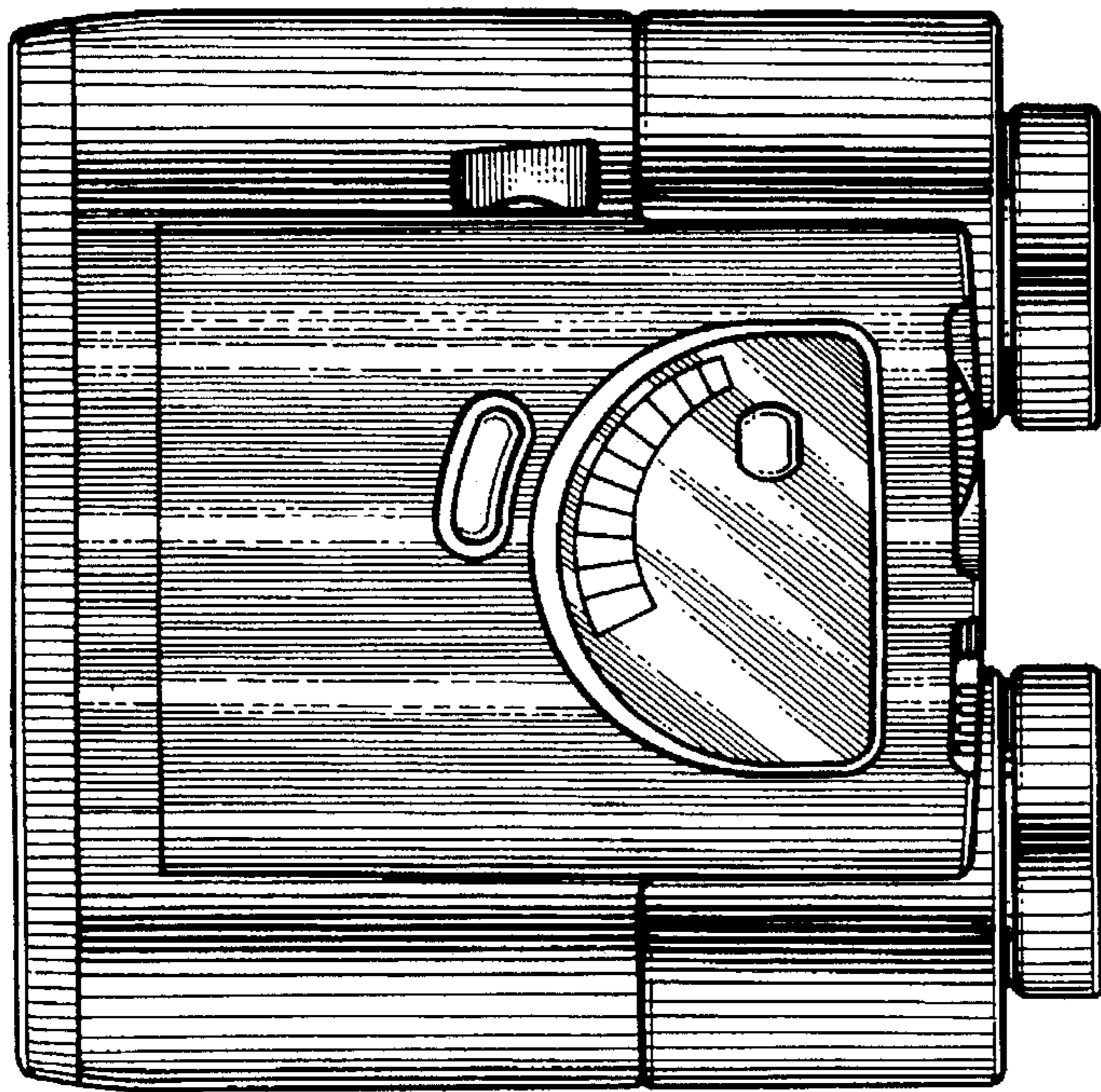


FIG. 4

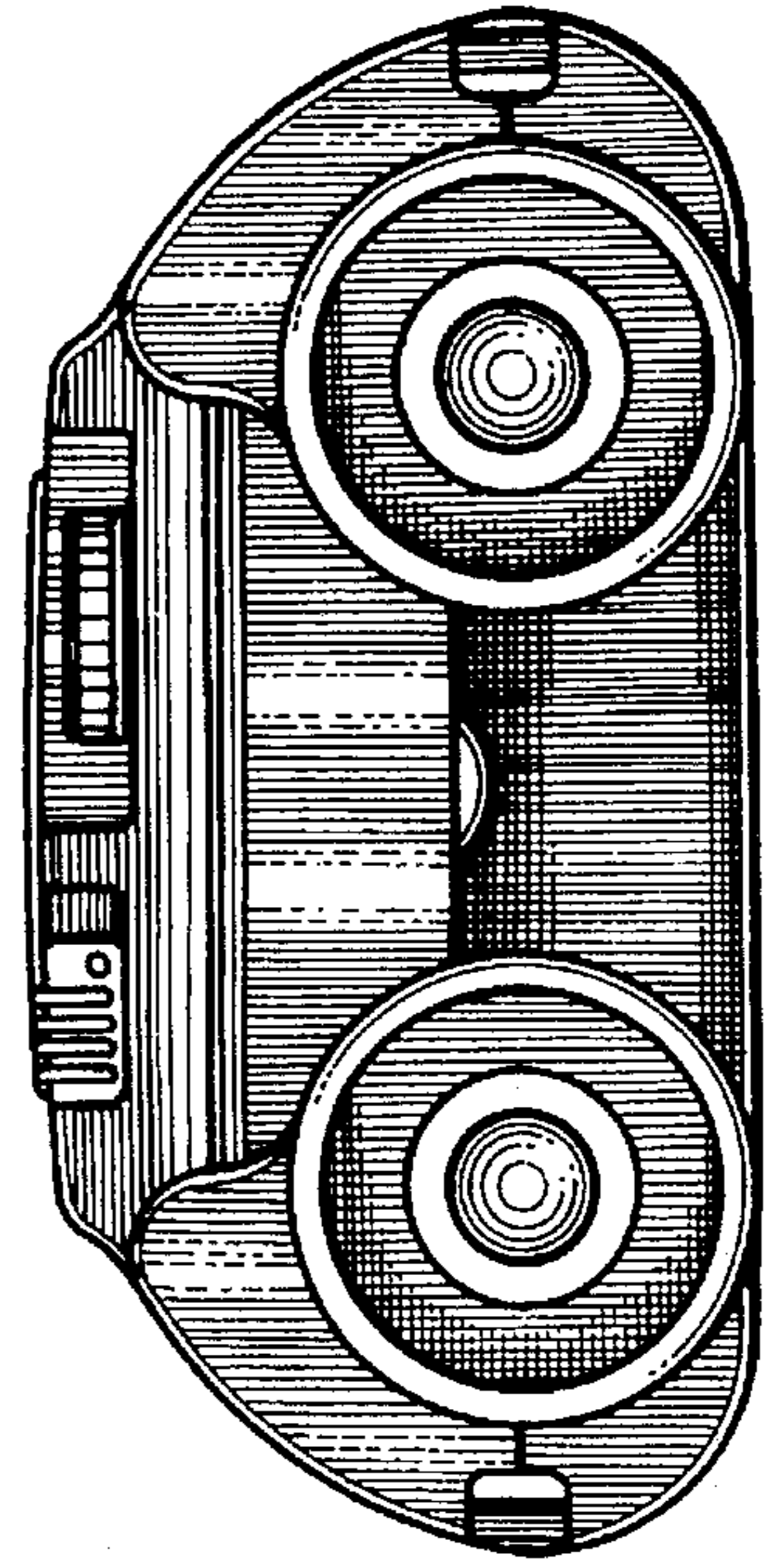


FIG. 1

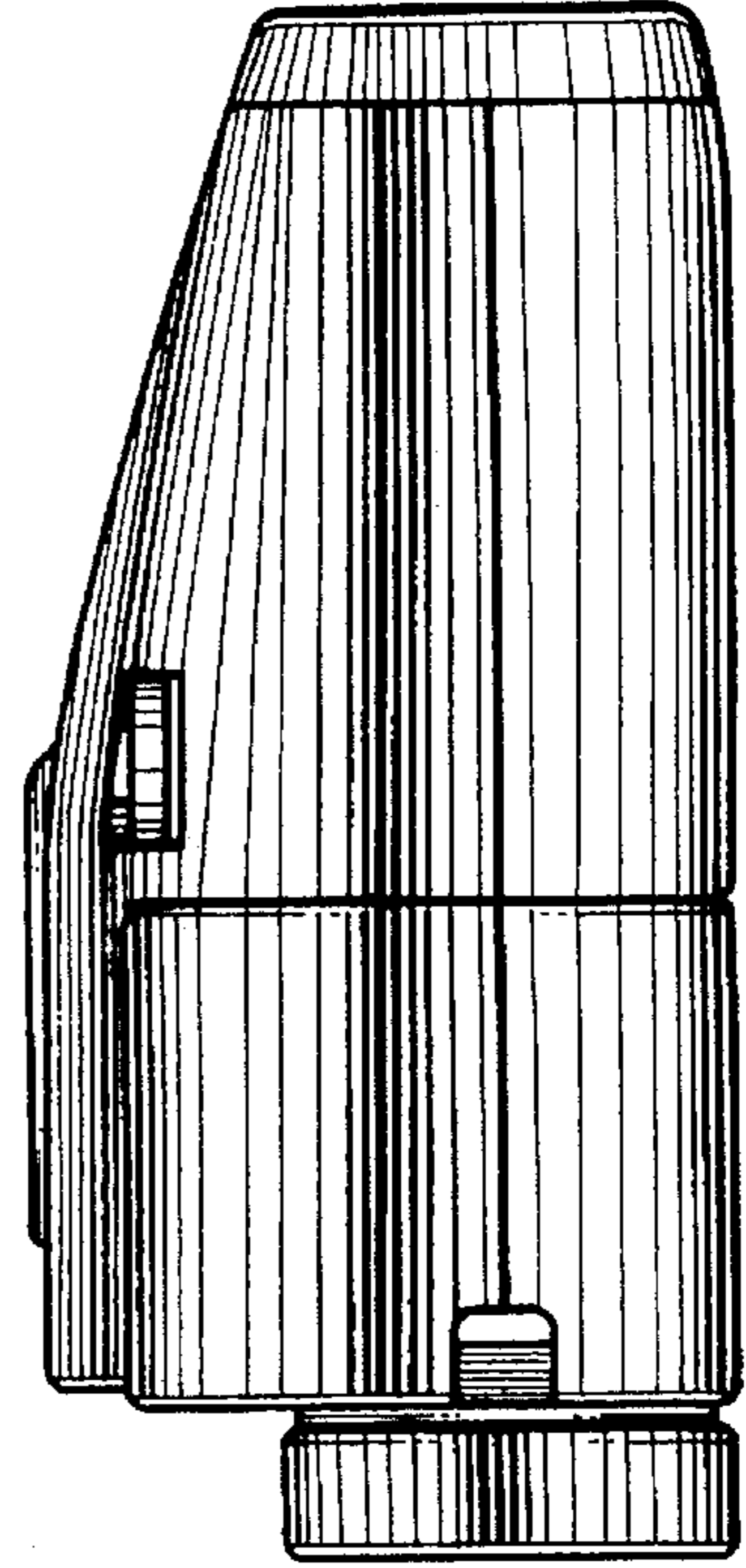


FIG. 2

FIG. 5

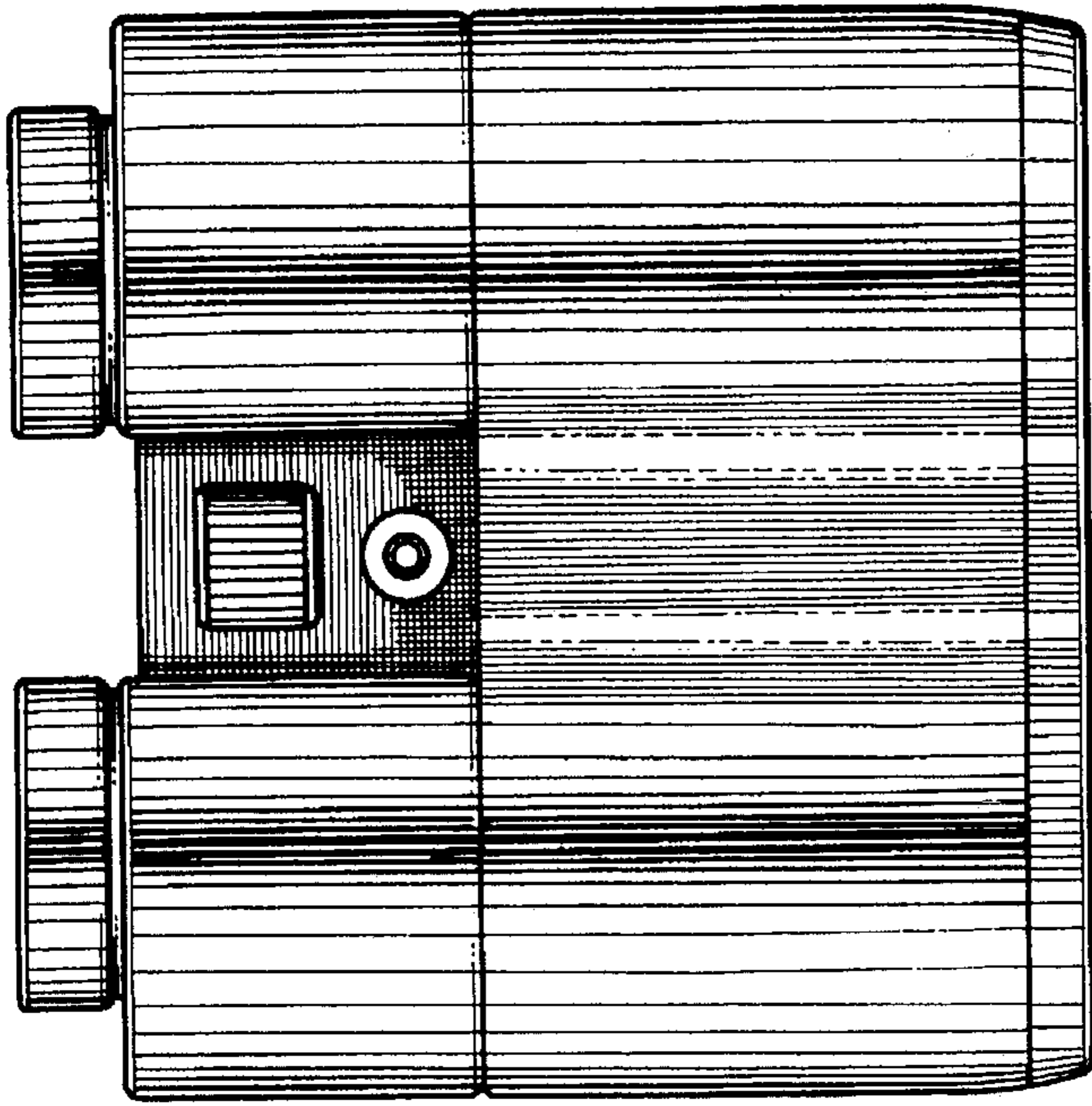


FIG. 6

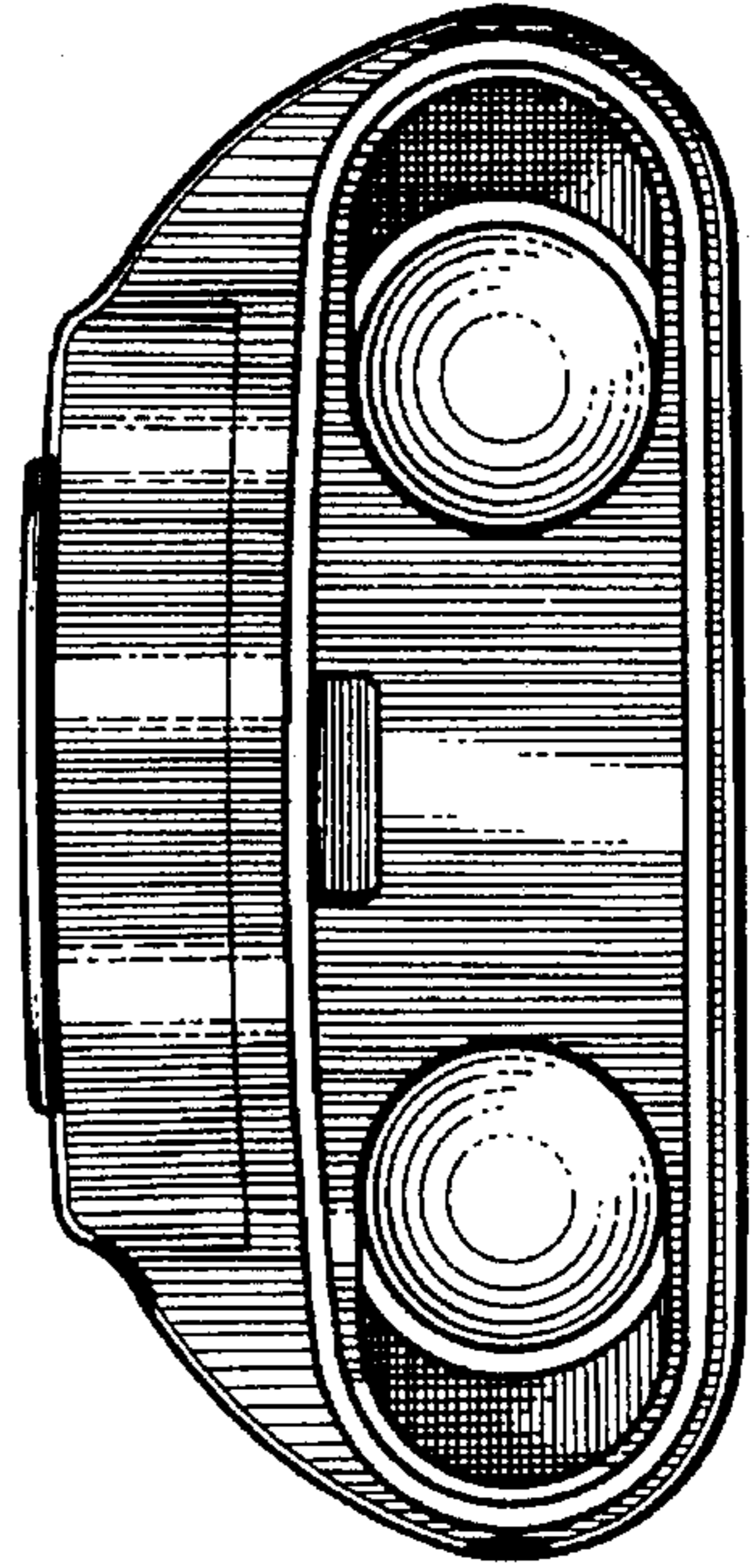


FIG. 7

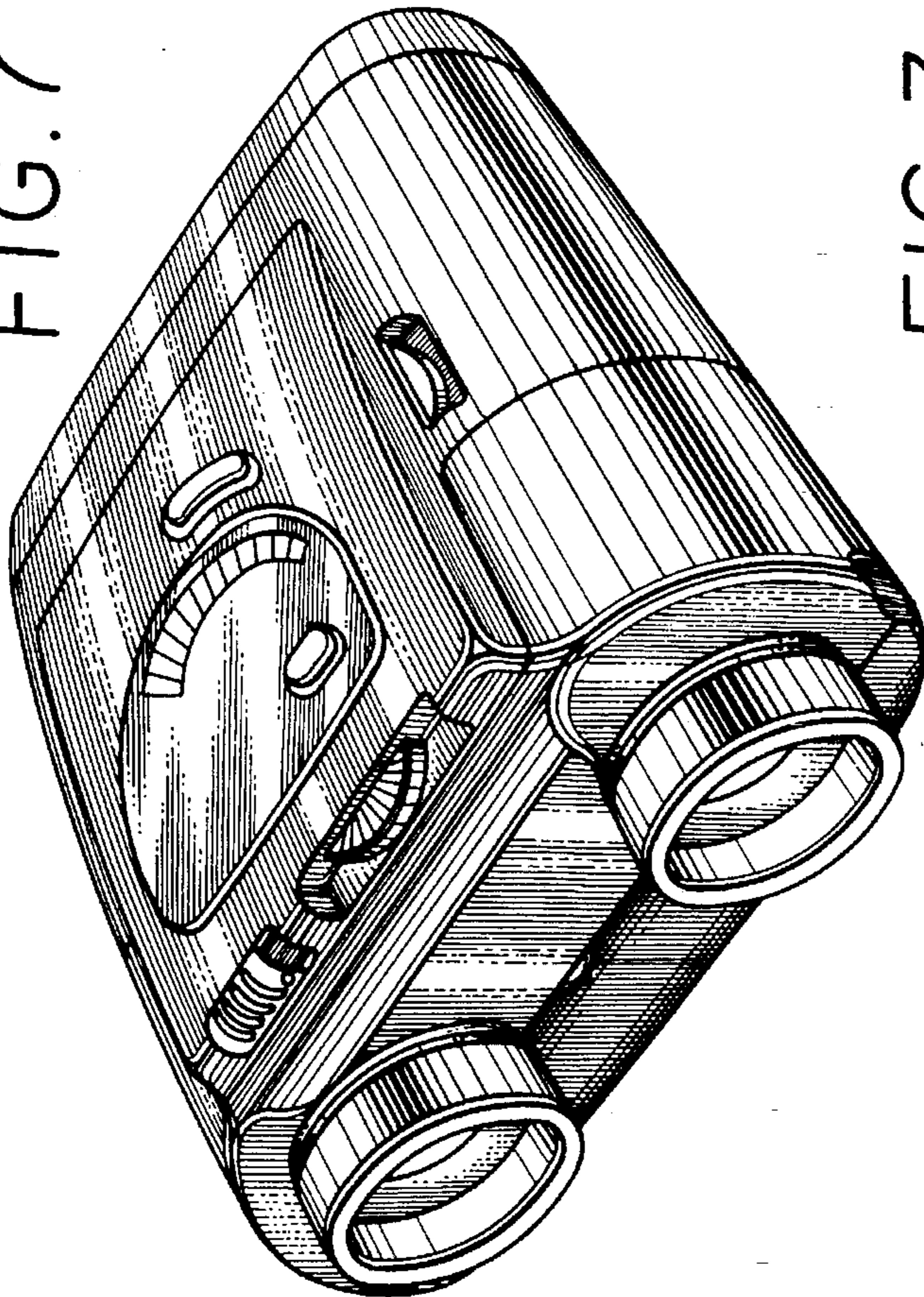


FIG. 3

