



US00D375753S

United States Patent [19]

Katsuma

[11] Patent Number: **Des. 375,753**

[45] Date of Patent: ****Nov. 19, 1996**

[54] **BINOCULARS**

[75] Inventor: **Shuji Katsuma**, Tokyo, Japan

[73] Assignee: **Katsuma Kougakukikai Kabushikisha**, Tokyo, Japan

[**] Term: **14 Years**

[21] Appl. No.: **48,597**

[22] Filed: **Jan. 5, 1996**

[30] **Foreign Application Priority Data**

Jul. 5, 1995 [JP] Japan 7-19333

[52] U.S. Cl. **D16/133**

[58] Field of Search D16/133, 130-132;
359/480-482, 407-418, 419; D22/101,
108-110

[56] **References Cited**

U.S. PATENT DOCUMENTS

- D. 285,802 9/1986 Ogasawara D16/132
- D. 297,242 8/1988 Yamanaka D16/132
- D. 307,154 4/1990 Shishikura D16/133
- D. 367,662 3/1996 Chan D16/133

3,817,594 6/1974 Fischer D16/133 X

Primary Examiner—B. J. Bullock
Assistant Examiner—Stacia Sinuik
Attorney, Agent, or Firm—Jacobson, Price, Holman & Stern, PLLC

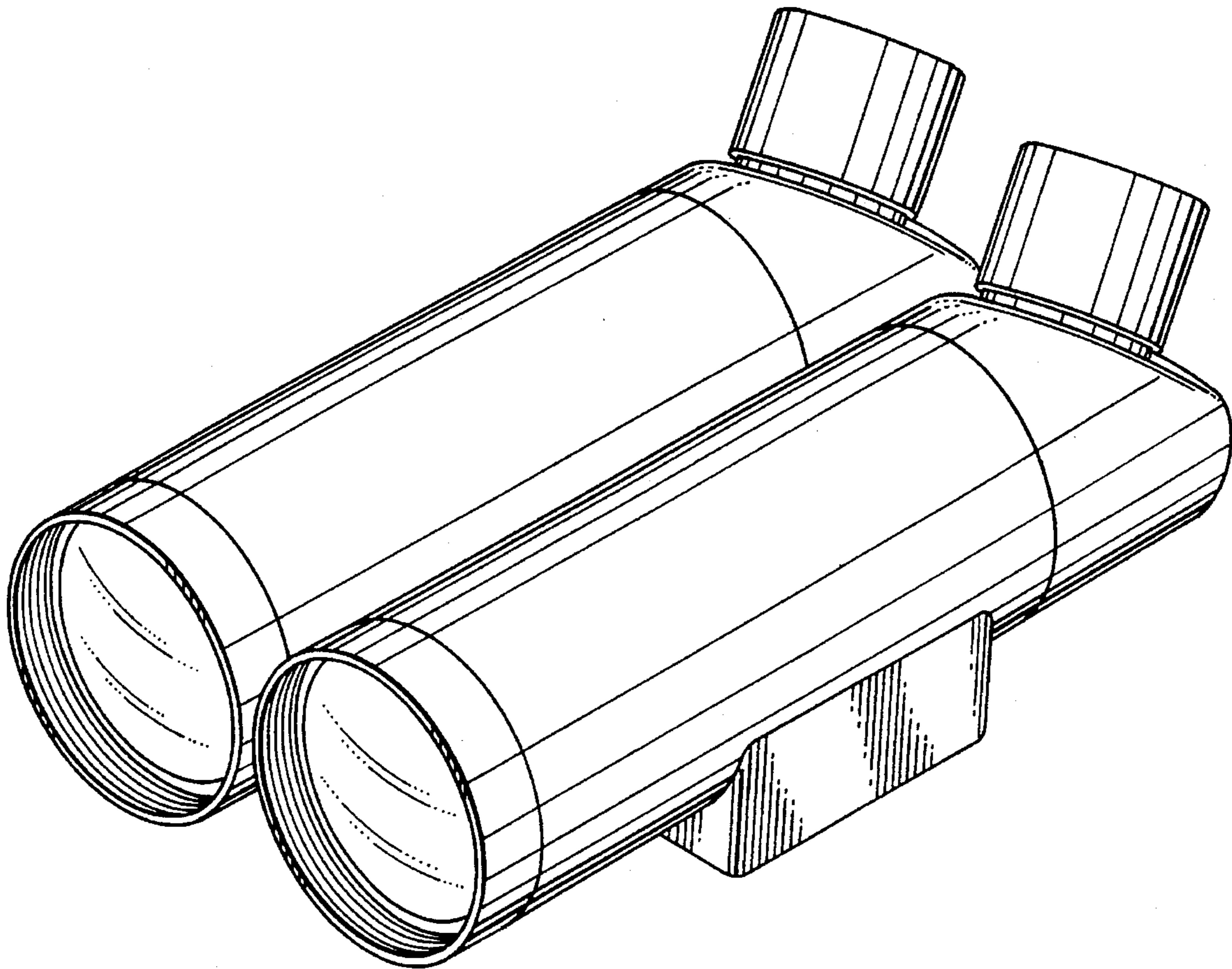
[57] **CLAIM**

The ornamental design for binoculars, as shown and described.

DESCRIPTION

FIG. 1 is a front, side and top perspective view of binoculars showing my new design;
FIG. 2 is a front elevational view thereof;
FIG. 3 is a rear elevational view thereof;
FIG. 4 is a top plan view thereof;
FIG. 5 is a bottom plan view thereof;
FIG. 6 is a side elevational view thereof from the right of FIG. 2;
FIG. 7 is a side elevational view thereof from the left of FIG. 2; and,
FIG. 8 is a cross sectional view thereof on the line 8—8 of FIG. 3.

1 Claim, 6 Drawing Sheets



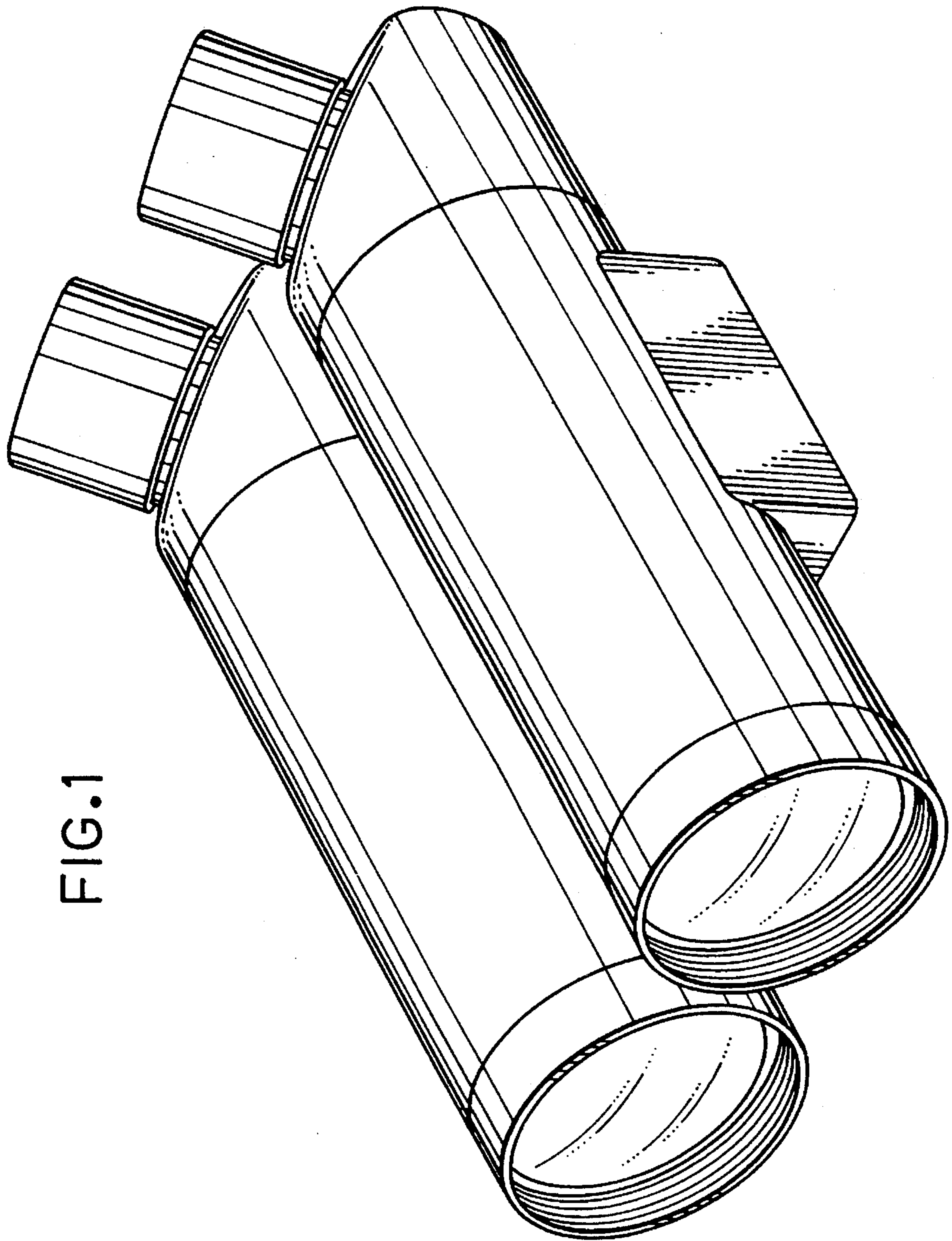


FIG. 1

FIG. 2

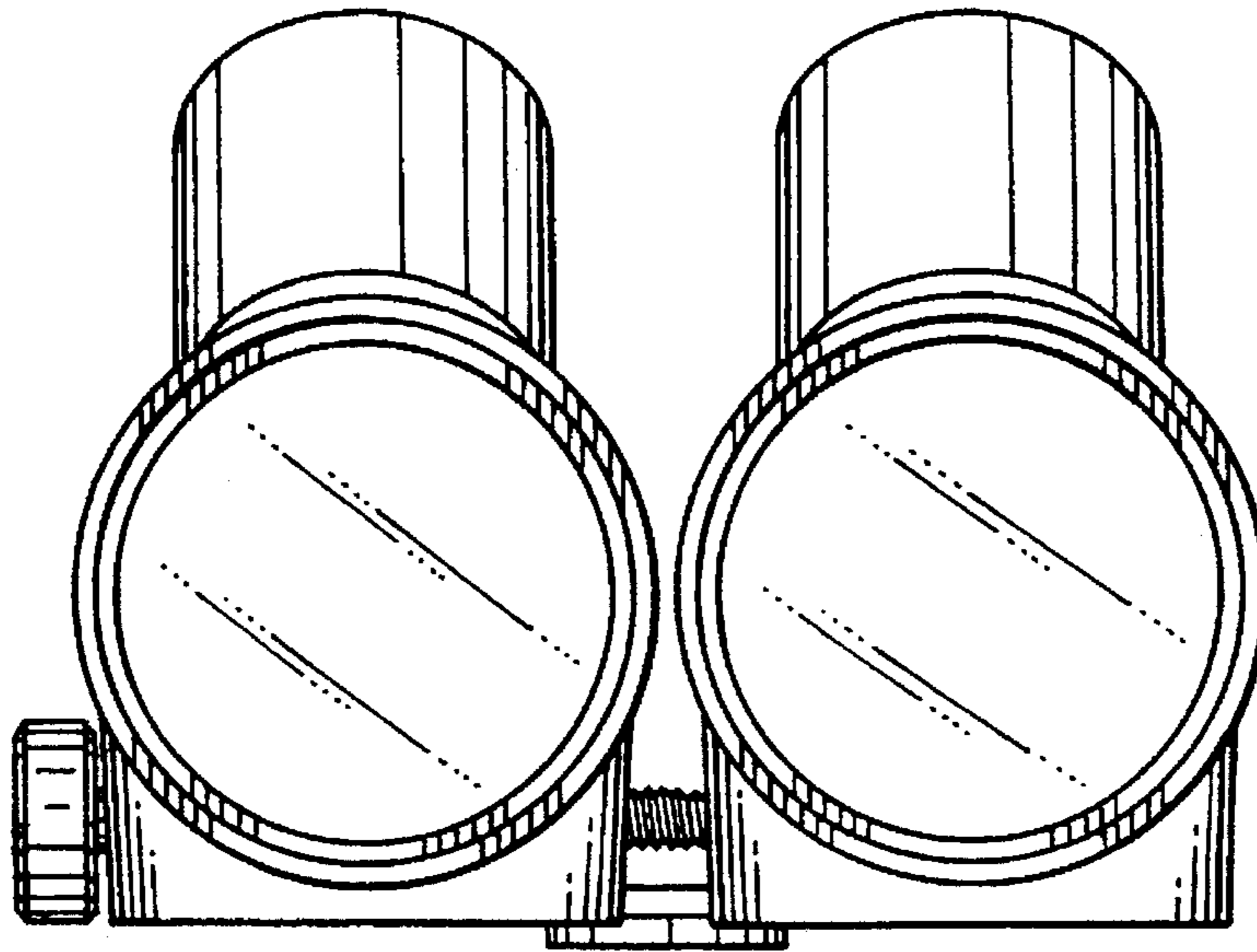


FIG. 3

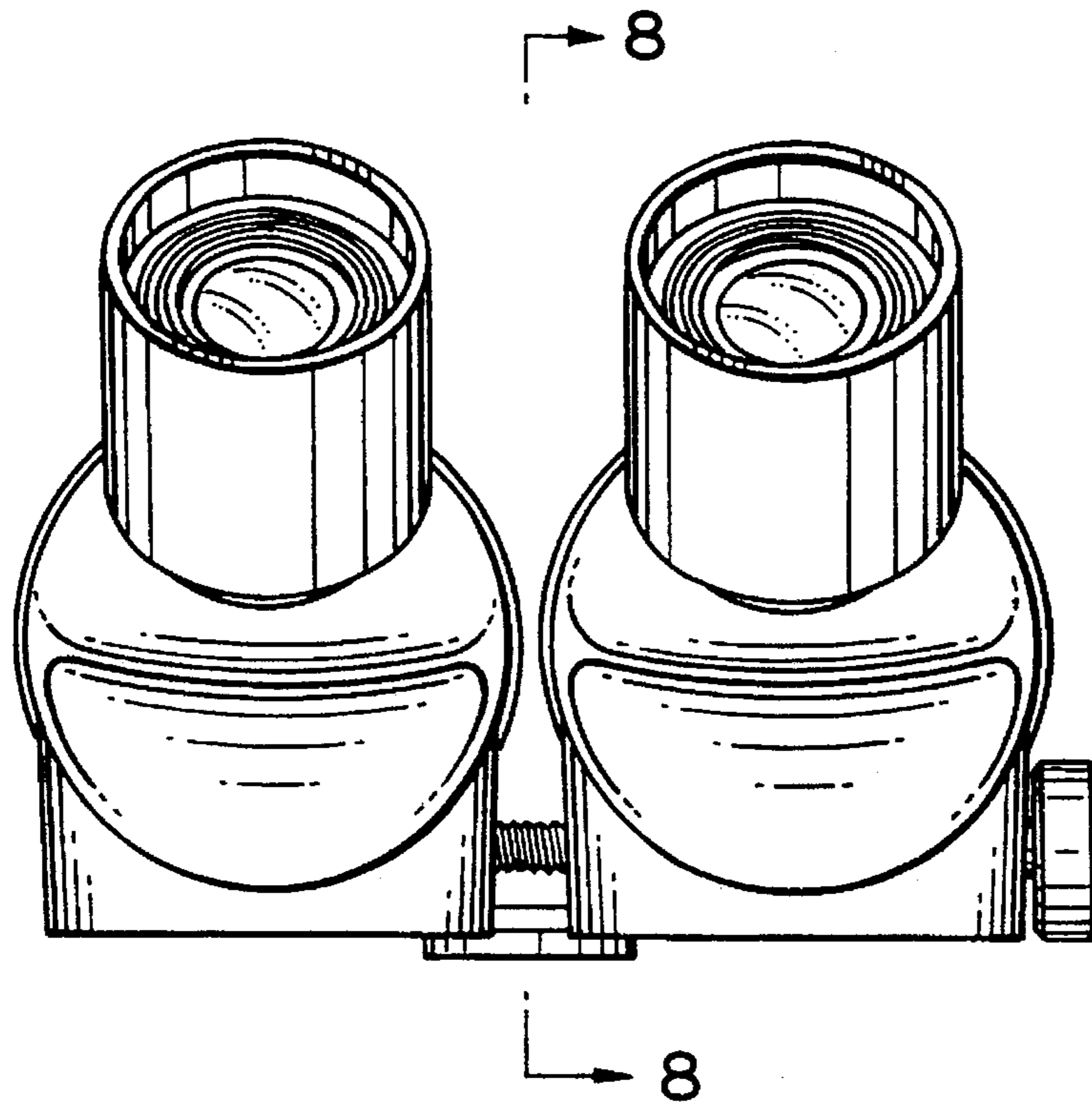


FIG. 4

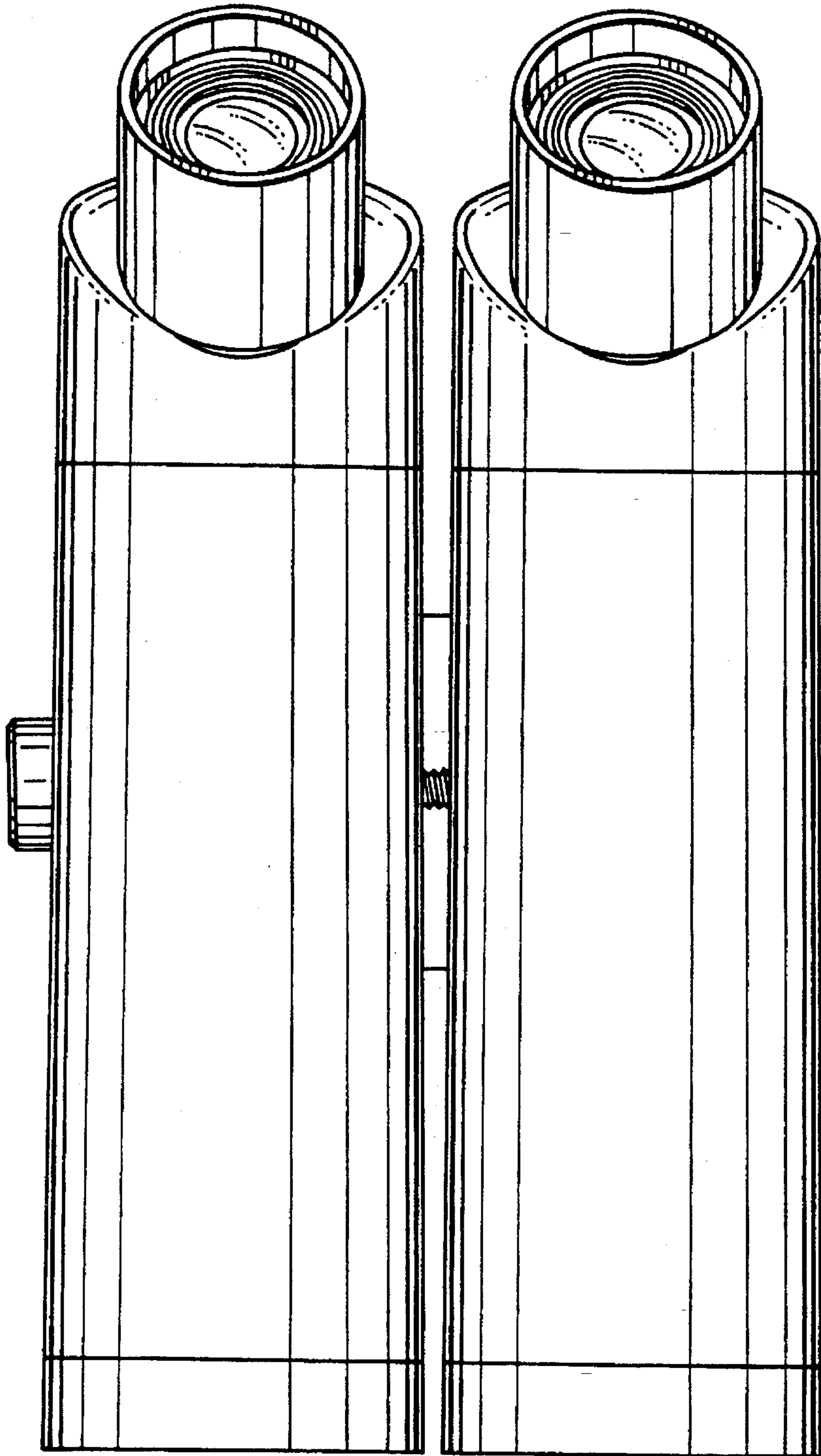


FIG. 5

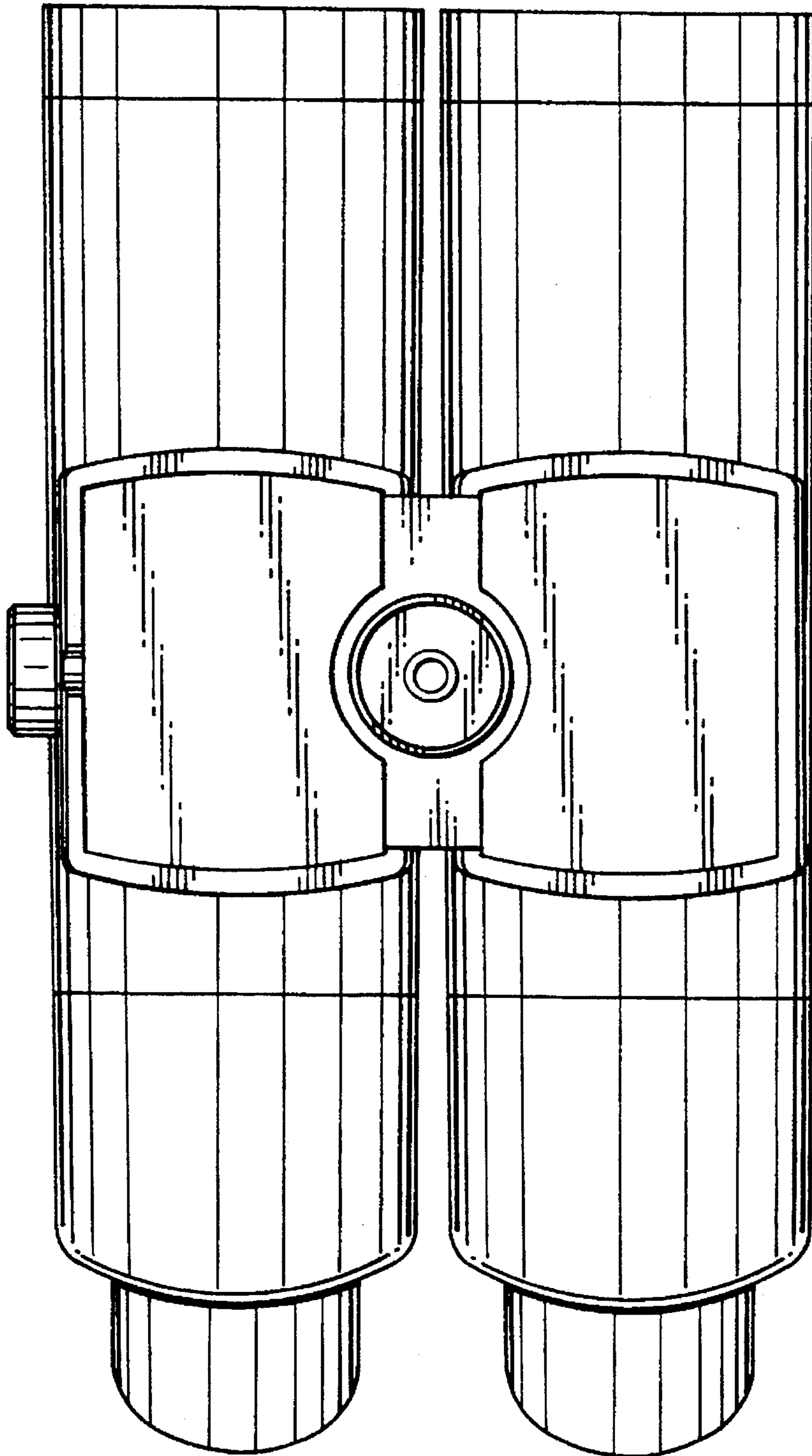


FIG.6

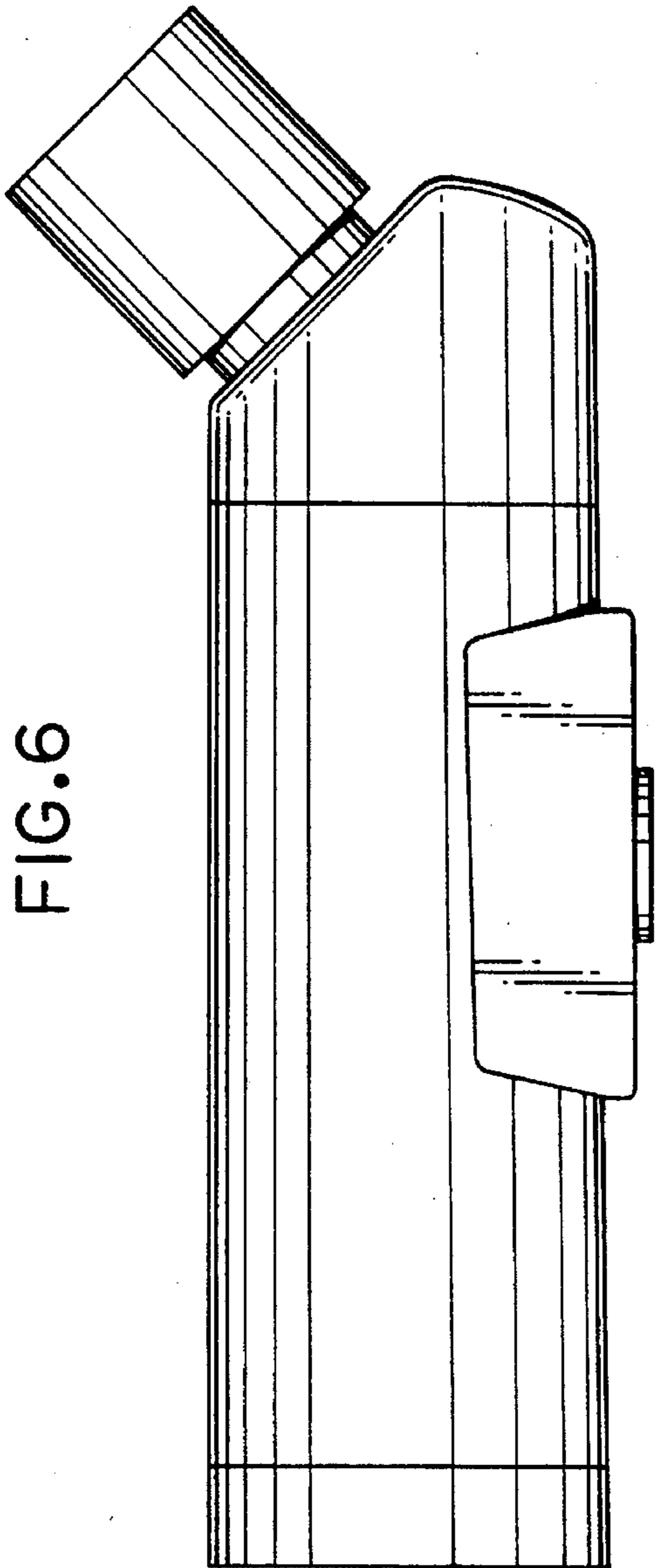


FIG.7

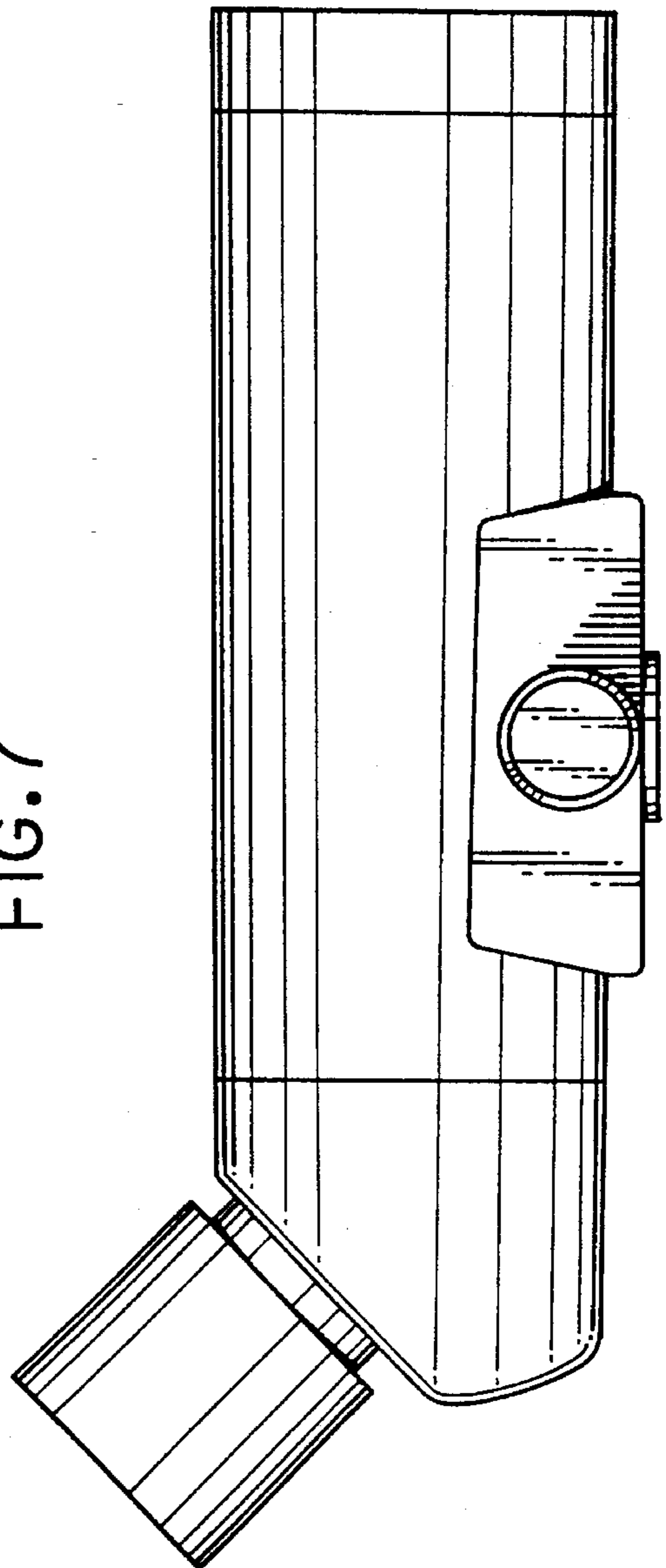


FIG. 8

