



US00D375749S

# United States Patent [19] Chiang

[11] Patent Number: **Des. 375,749**

[45] Date of Patent: **\*\*Nov. 19, 1996**

[54] **COMBINED MICROPHONE AND STAND**

3,562,446 2/1971 Wolf ..... 381/169

[76] Inventor: **Chun-Lung Chiang**, P.O. Box 82-144,  
Taipei, Taiwan

*Primary Examiner*—Sandra L. Morris  
*Assistant Examiner*—Nanda Bondade  
*Attorney, Agent, or Firm*—Alfred Lei

[\*\*] Term: **14 Years**

[57] **CLAIM**

[21] Appl. No.: **38,701**

The ornamental design for a combined microphone and stand, as shown and described.

[22] Filed: **May 11, 1995**

[52] U.S. Cl. .... **D14/227; D14/228**

**DESCRIPTION**

[58] **Field of Search** ..... D14/205, 206,  
D14/223-229, 299; 181/158, 242; 379/368,  
430-431; 381/91, 122, 153, 168, 169, 183

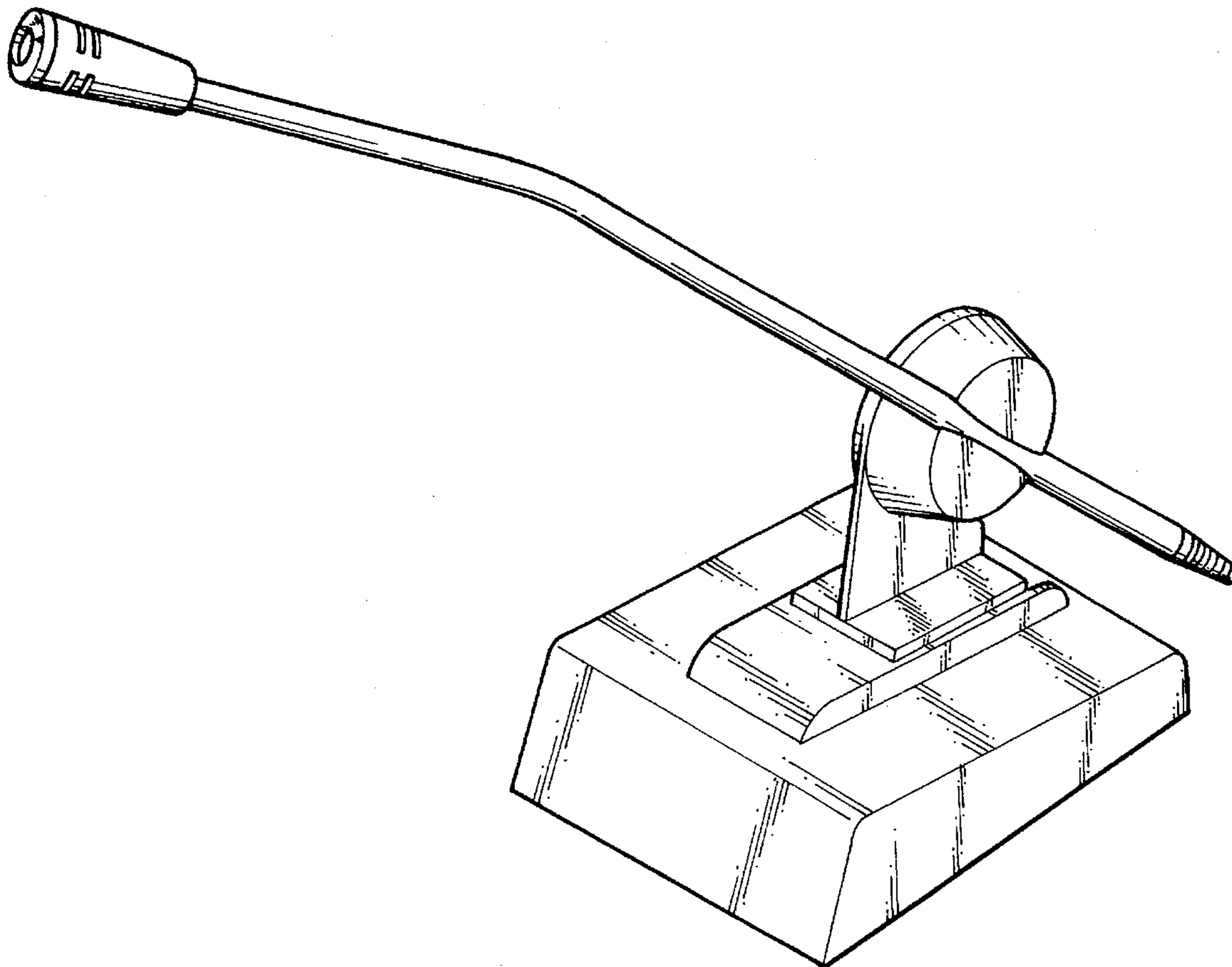
FIG. 1 is a perspective view of a combined microphone and stand showing my new design;  
FIG. 2 is a left side elevational view thereof;  
FIG. 3 is a right side elevational view thereof;  
FIG. 4 is a front view thereof;  
FIG. 5 is a rear view thereof;  
FIG. 6 is a top plan view thereof; and,  
FIG. 7 is a bottom plan view thereof.

[56] **References Cited**

**U.S. PATENT DOCUMENTS**

D. 221,230	7/1971	Deschamps	.....	D14/227
D. 313,802	1/1991	Peiker	.....	D14/227
D. 327,480	6/1992	Soren	.....	D14/229
D. 357,481	4/1995	Giuntoli et al.	.....	D14/227
D. 365,564	12/1995	Luther et al.	.....	D14/227

**1 Claim, 4 Drawing Sheets**



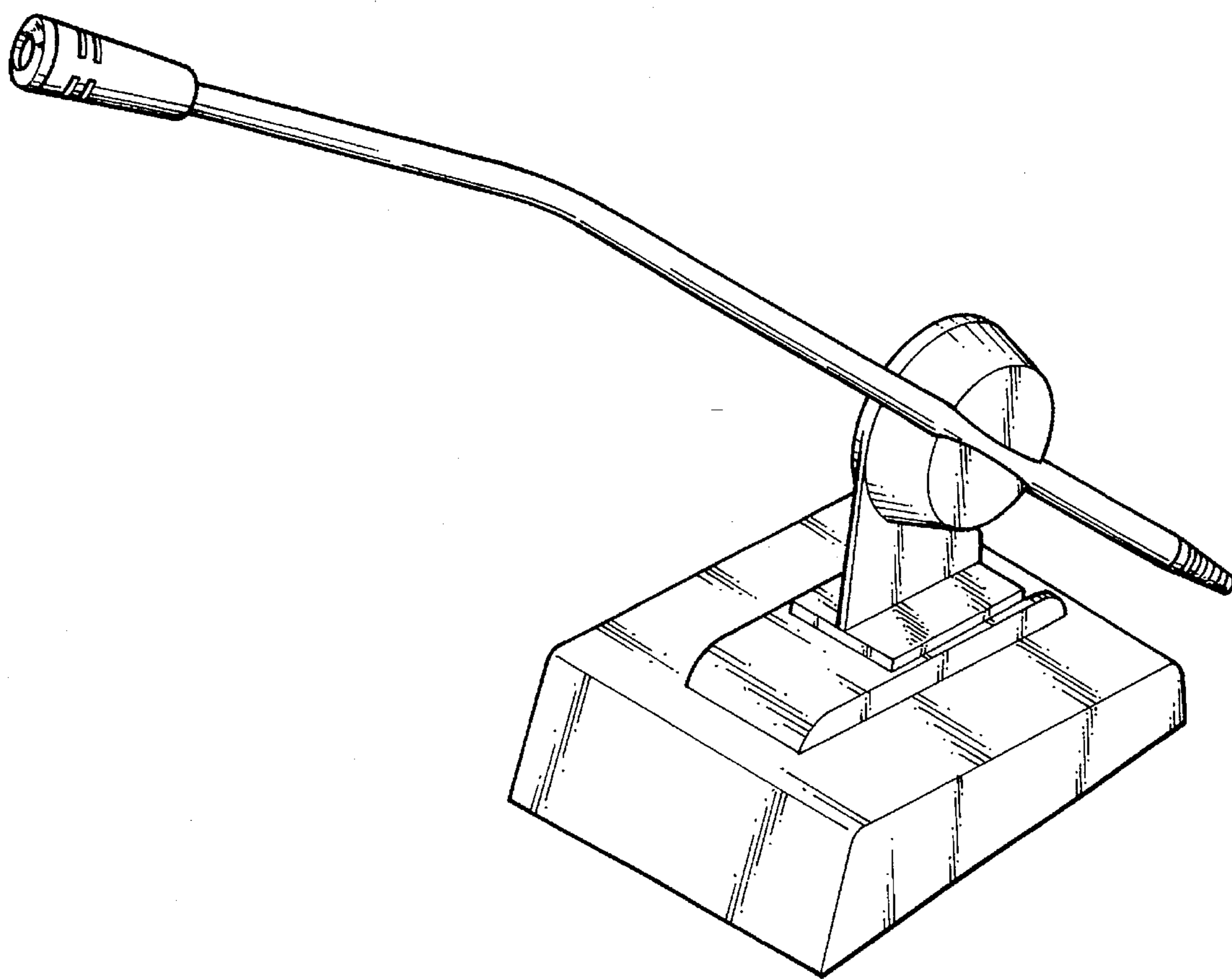


FIG. 1

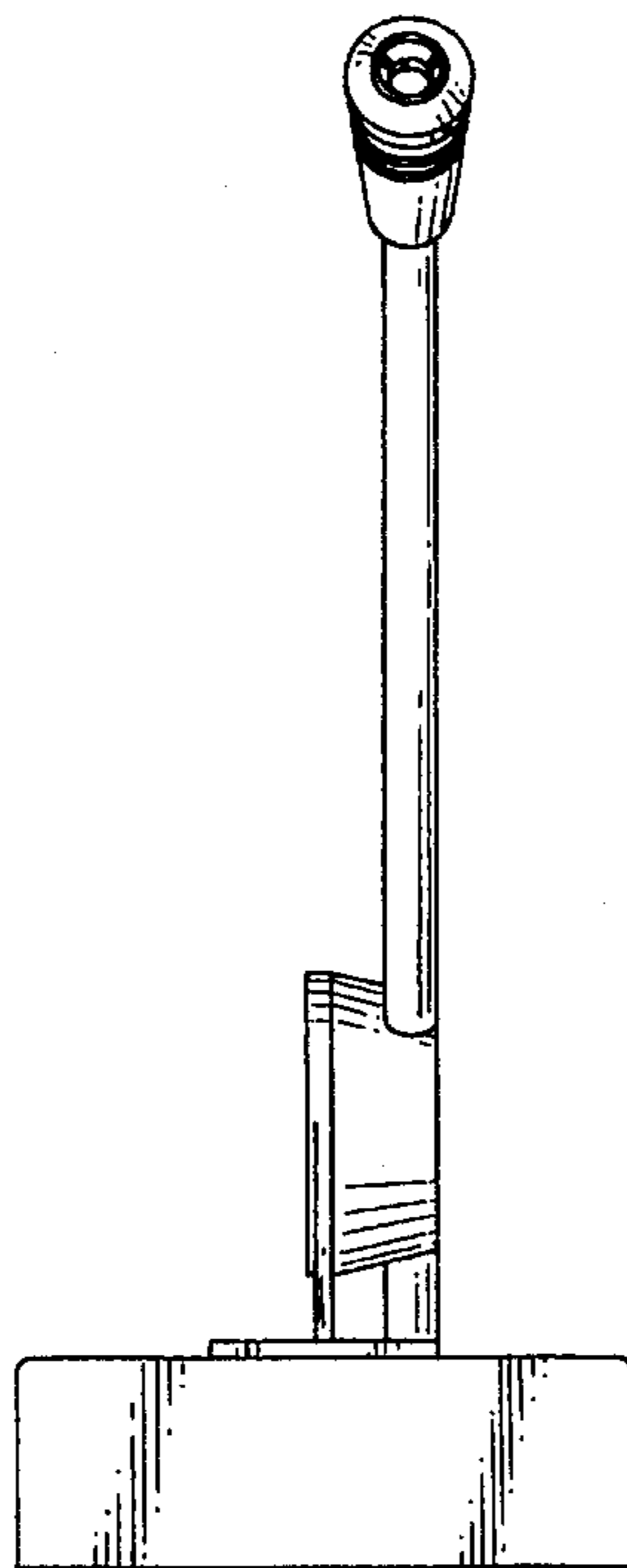


FIG. 2

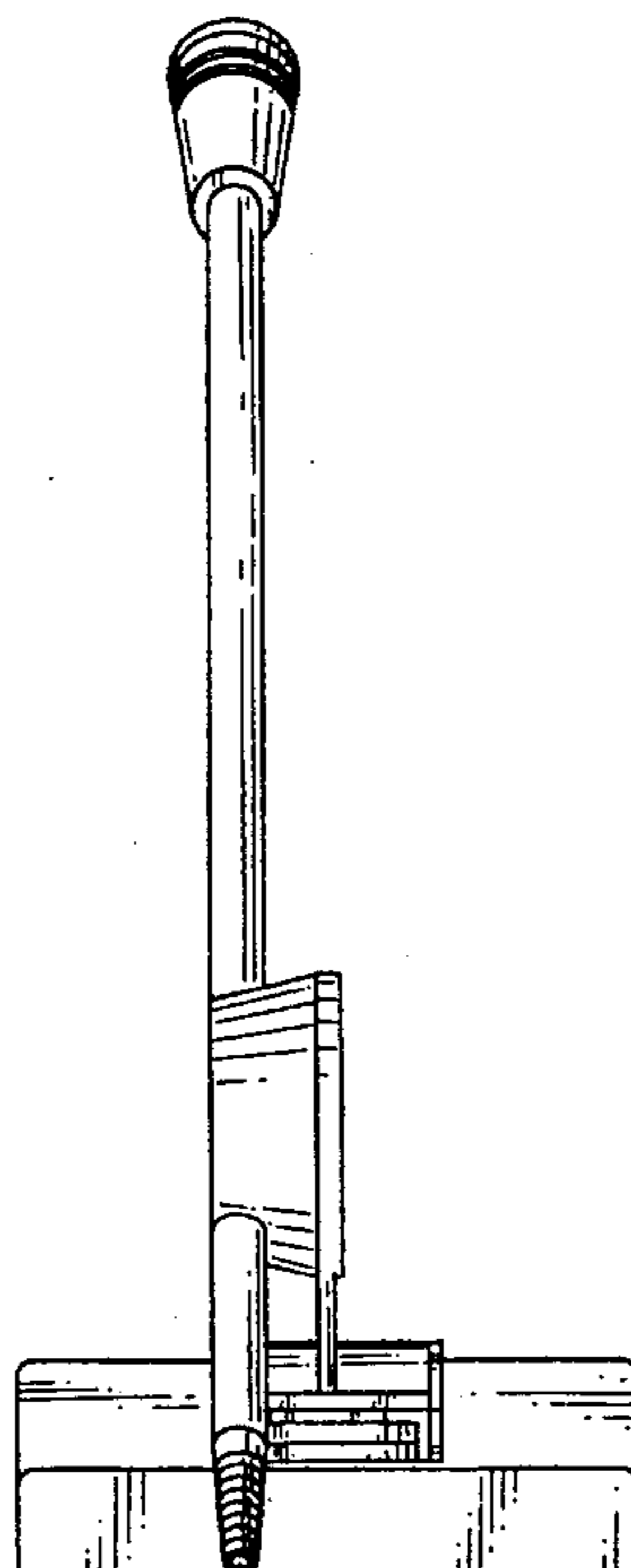


FIG. 3

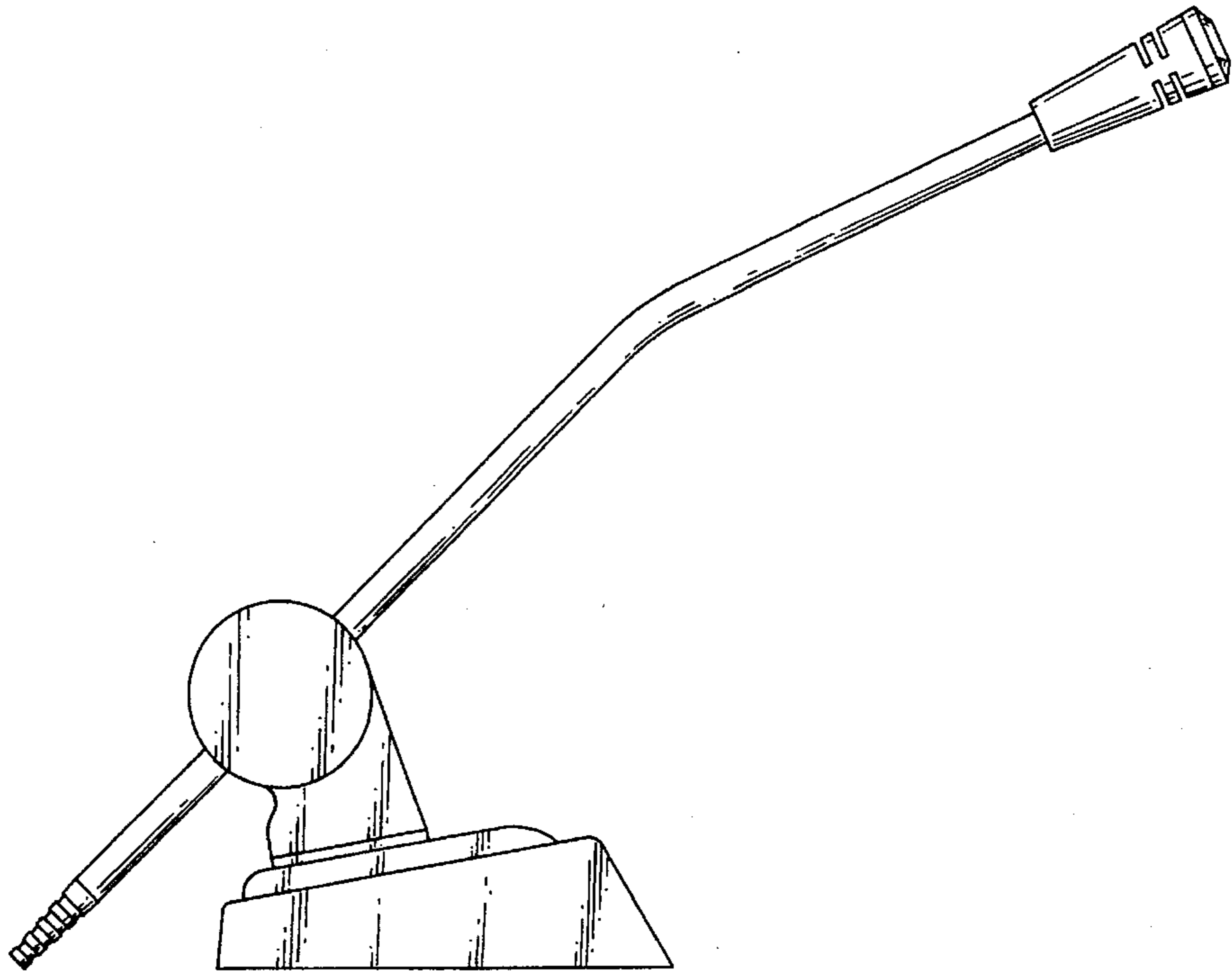


FIG. 4

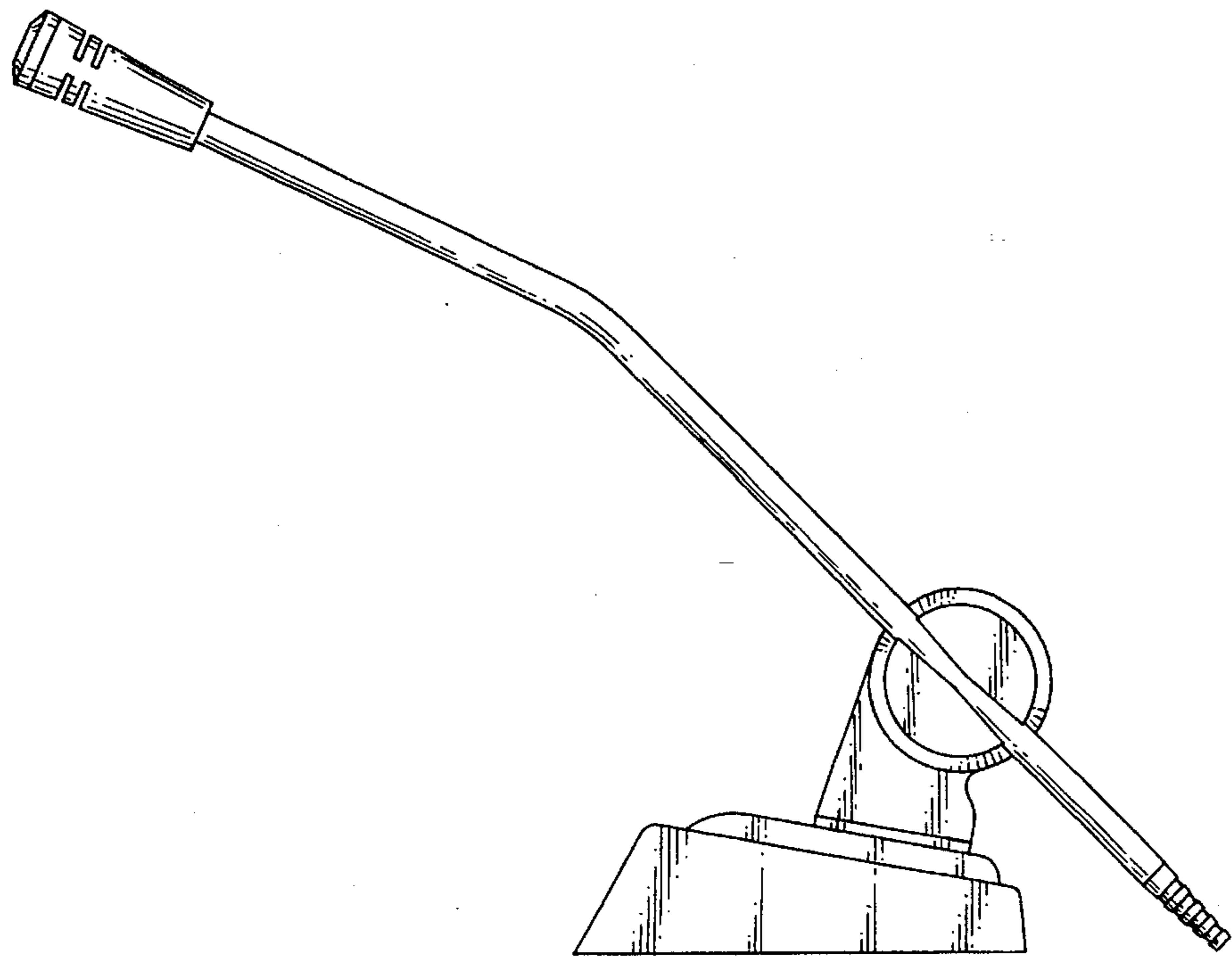


FIG. 5

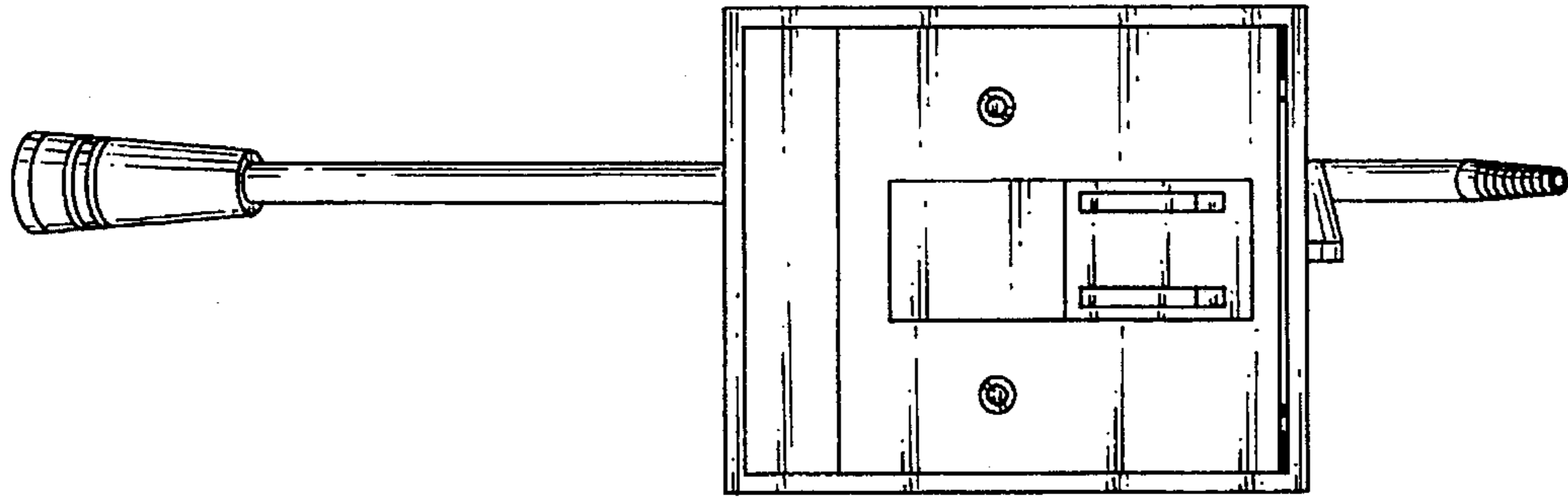


FIG. 7

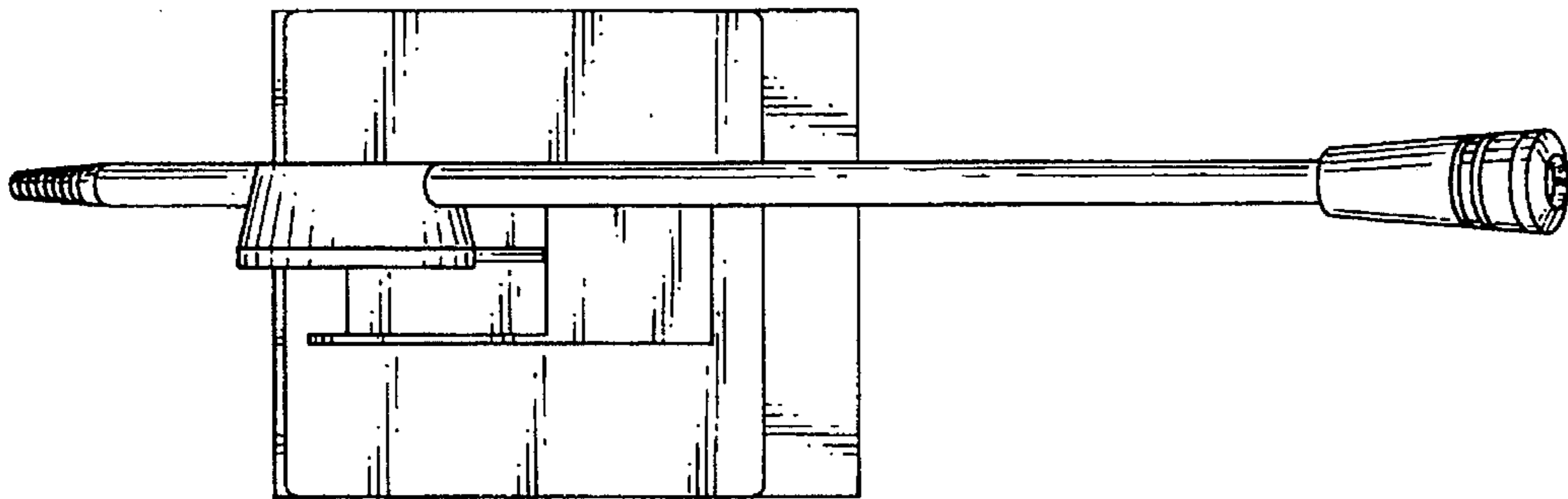


FIG. 6