



US00D375745S

United States Patent [19]
Asencio

[11] **Patent Number: Des. 375,745**

[45] **Date of Patent: **Nov. 19, 1996**

[54] **SPEAKER ENCLOSURE**

4,629,029 12/1986 Guinness 181/199 X

[75] Inventor: **Frankie J. Asencio**, Columbus, Ohio

Primary Examiner—Sandra L. Morris

Assistant Examiner—Nanda Bondade

[73] Assignee: **Network Entertainment Systems, Inc.**,
Columbus, Ohio

Attorney, Agent, or Firm—Frank H. Foster; Kremblas, Foster, Millard & Pollick

[**] Term: **14 Years**

[57] **CLAIM**

The ornamental design for a speaker enclosure, as shown.

[21] Appl. No.: **43,207**

DESCRIPTION

[22] Filed: **Aug. 29, 1995**

[52] **U.S. Cl.** **D14/213; D14/214**

FIG. 1 is a front perspective view of a speaker enclosure showing my new design.

[58] **Field of Search** D14/204, 207,
D14/209–215, 220; 181/144–145, 147–148,
150, 157, 159, 198–199; 381/24, 88, 90–91,
153, 159, 186, 188

FIG. 2 is a front elevation view thereof;

FIG. 3 is a rear elevation view thereof;

FIG. 4 is a top plan view thereof;

FIG. 5 is a bottom plan view thereof;

FIG. 6 is a right side elevation view thereof; and,

FIG. 7 is a left side elevation view thereof.

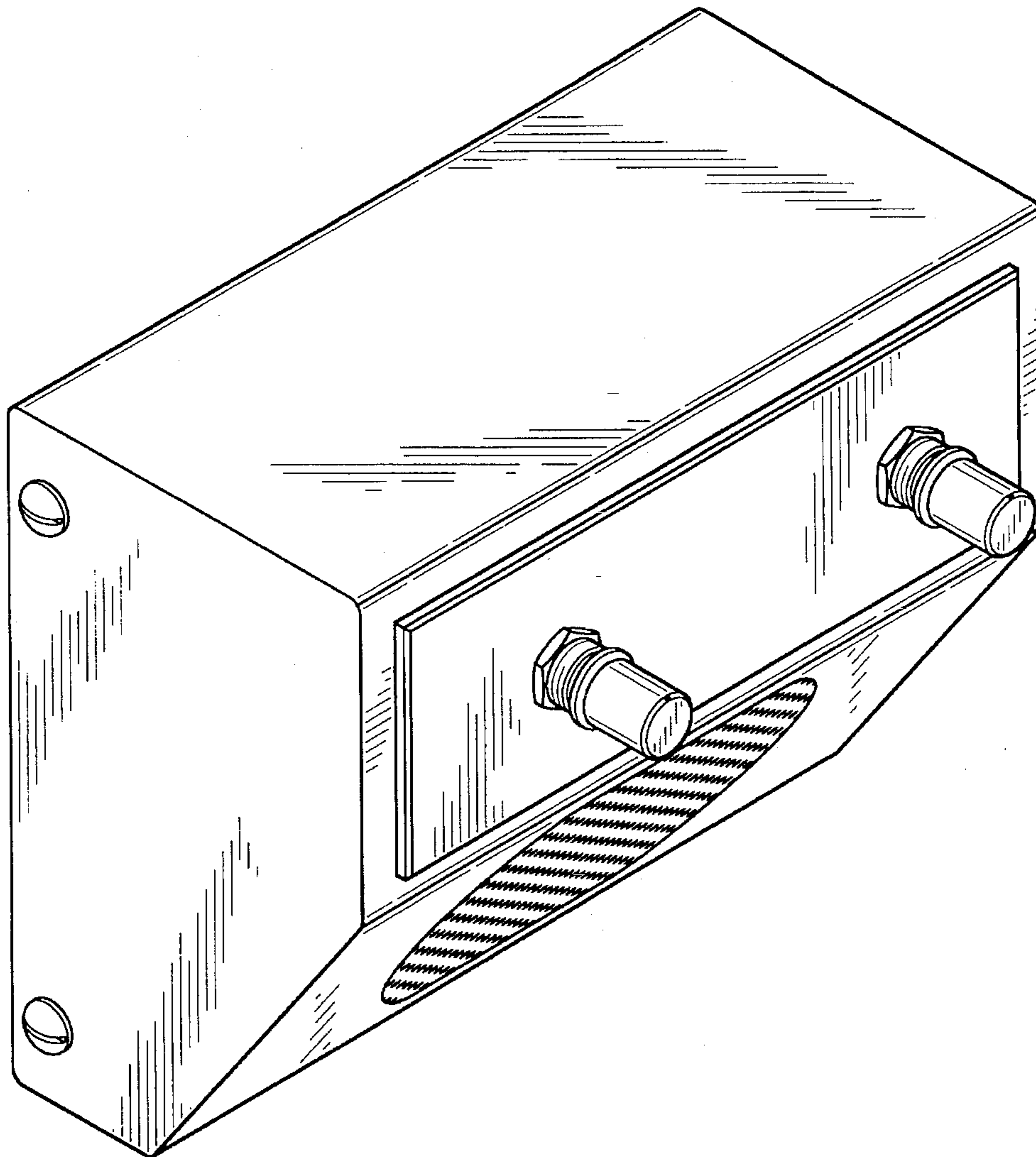
[56] **References Cited**

U.S. PATENT DOCUMENTS

D. 201,621 7/1965 Kahn D14/215

D. 276,227 11/1984 Nakamura D14/214

1 Claim, 4 Drawing Sheets



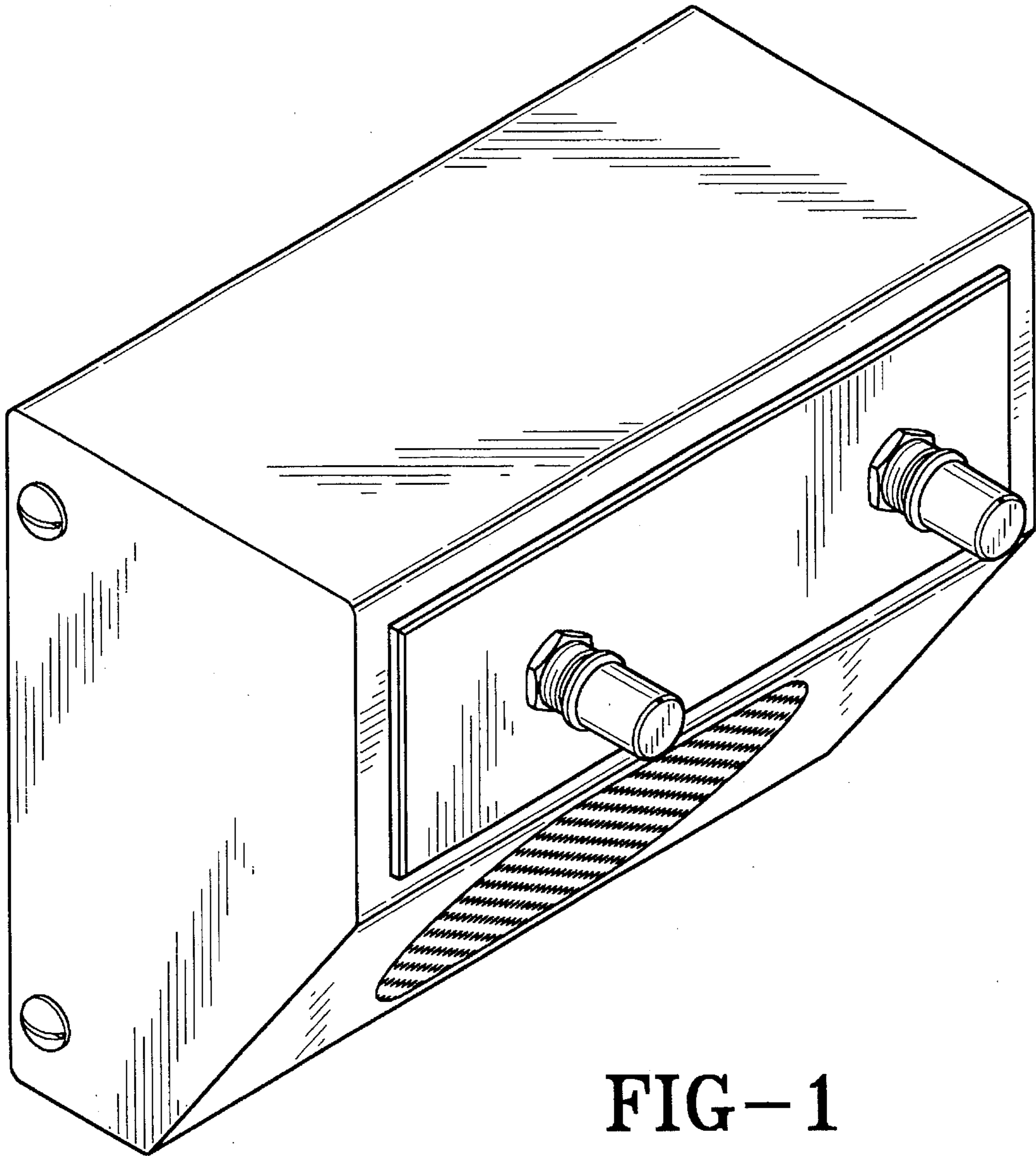


FIG-1

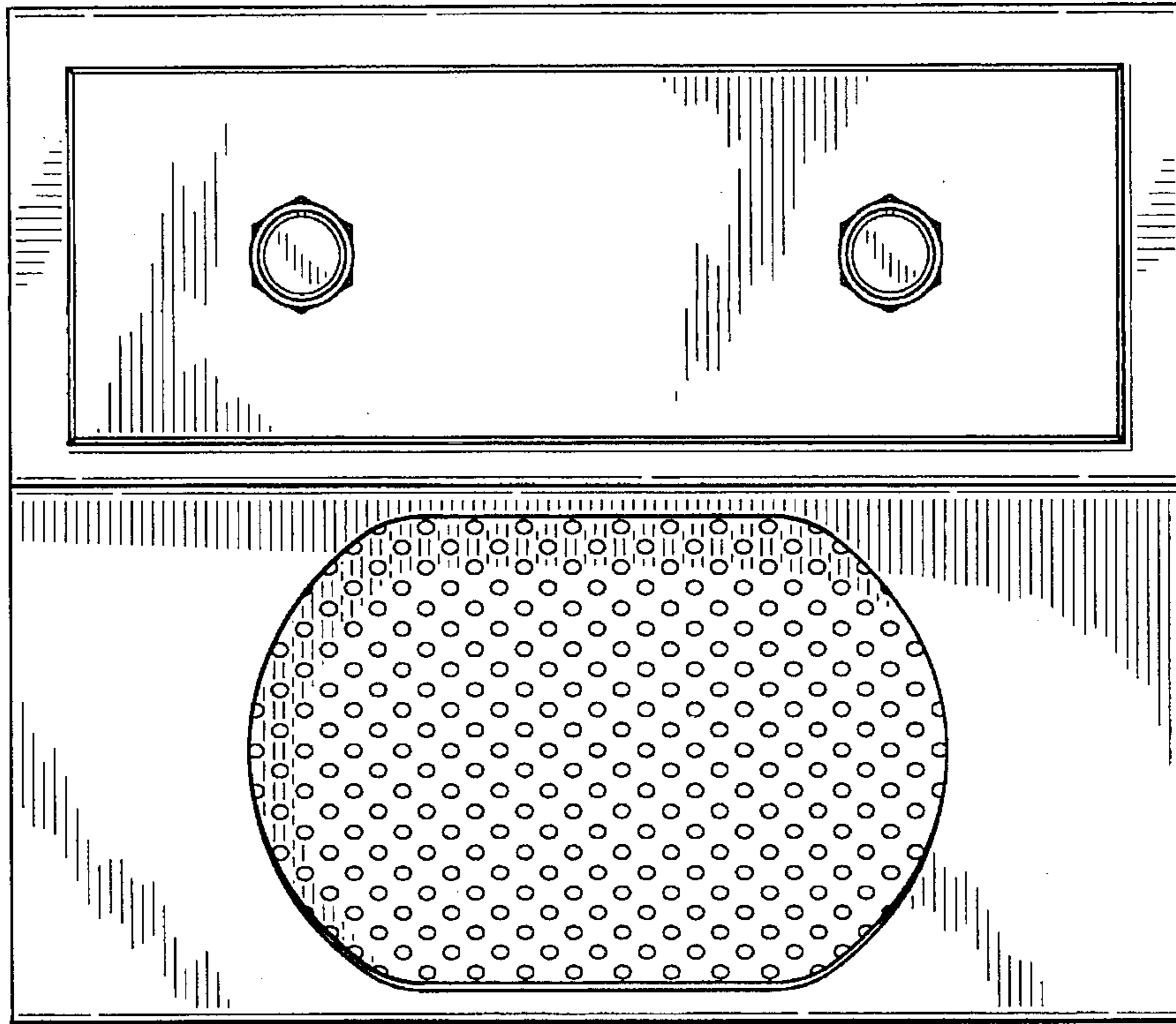


FIG-2

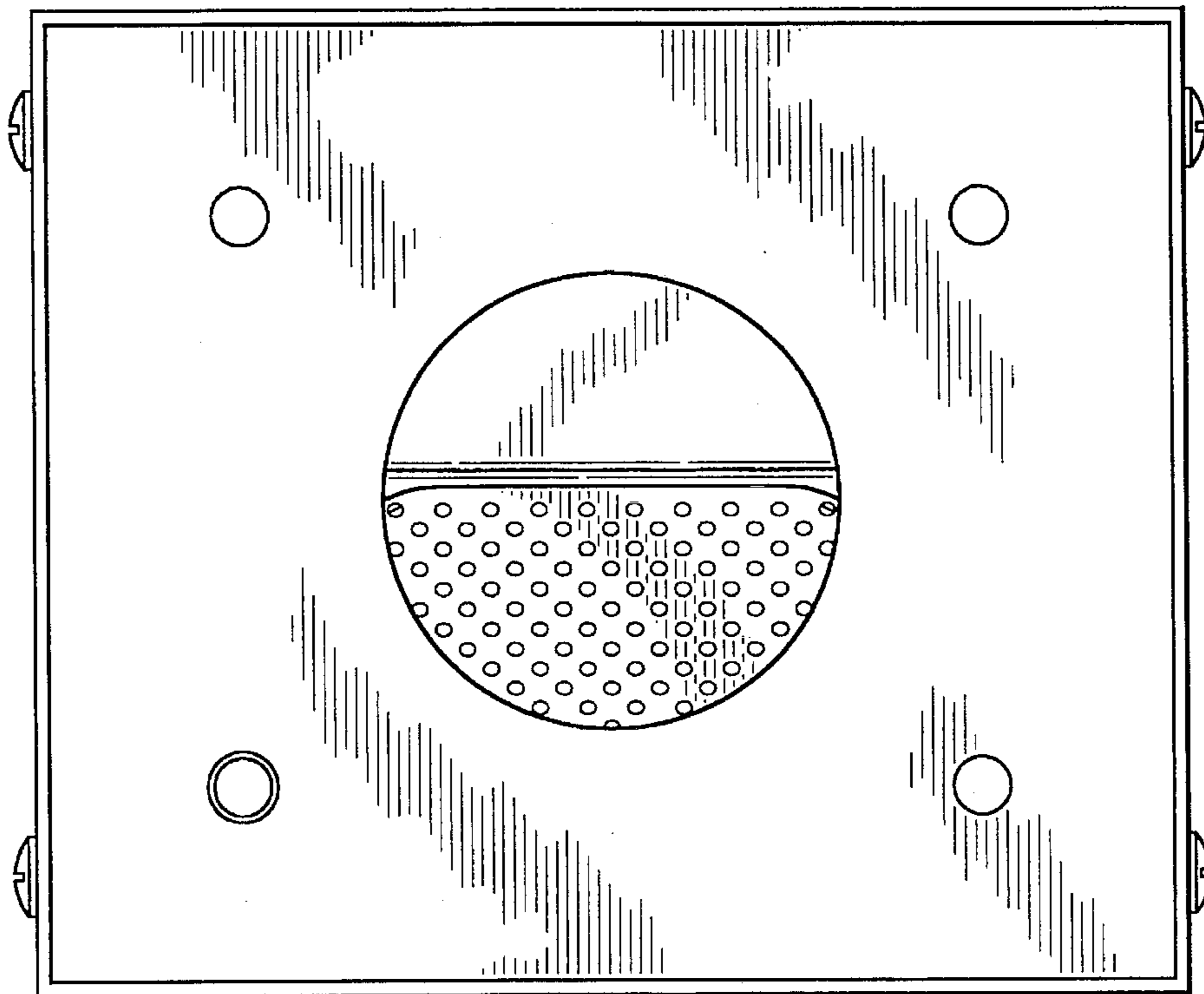


FIG-3

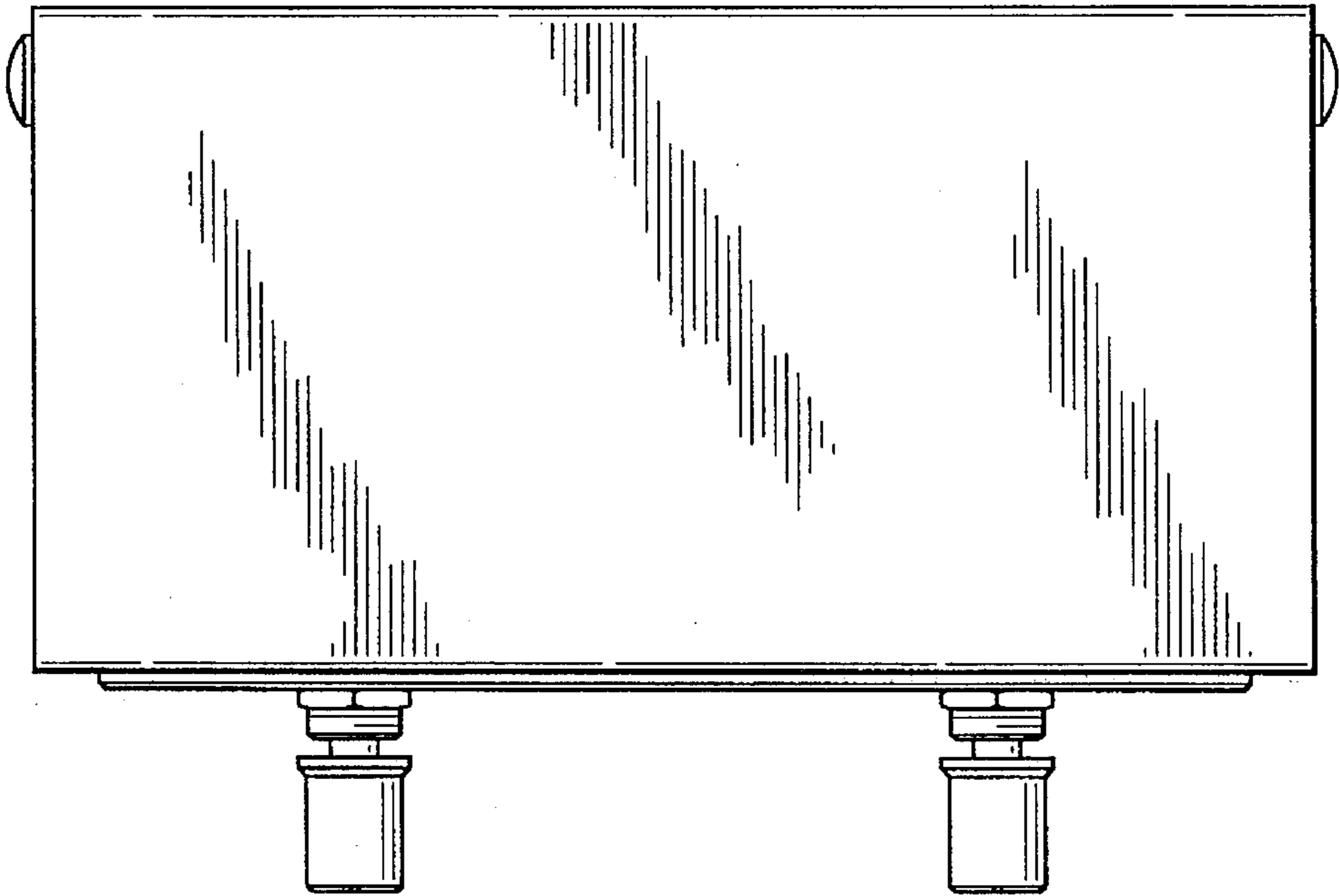


FIG-4

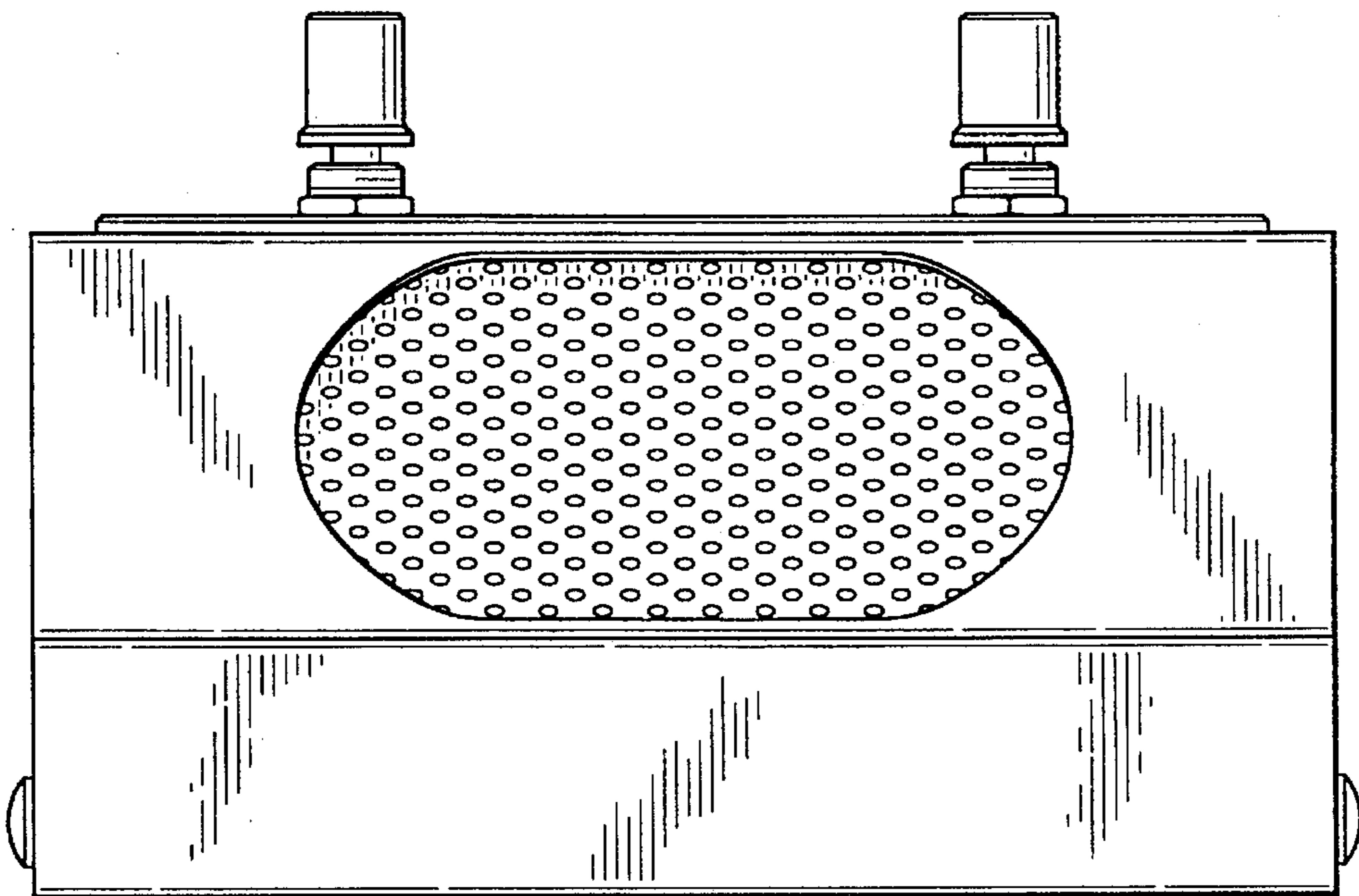


FIG-5

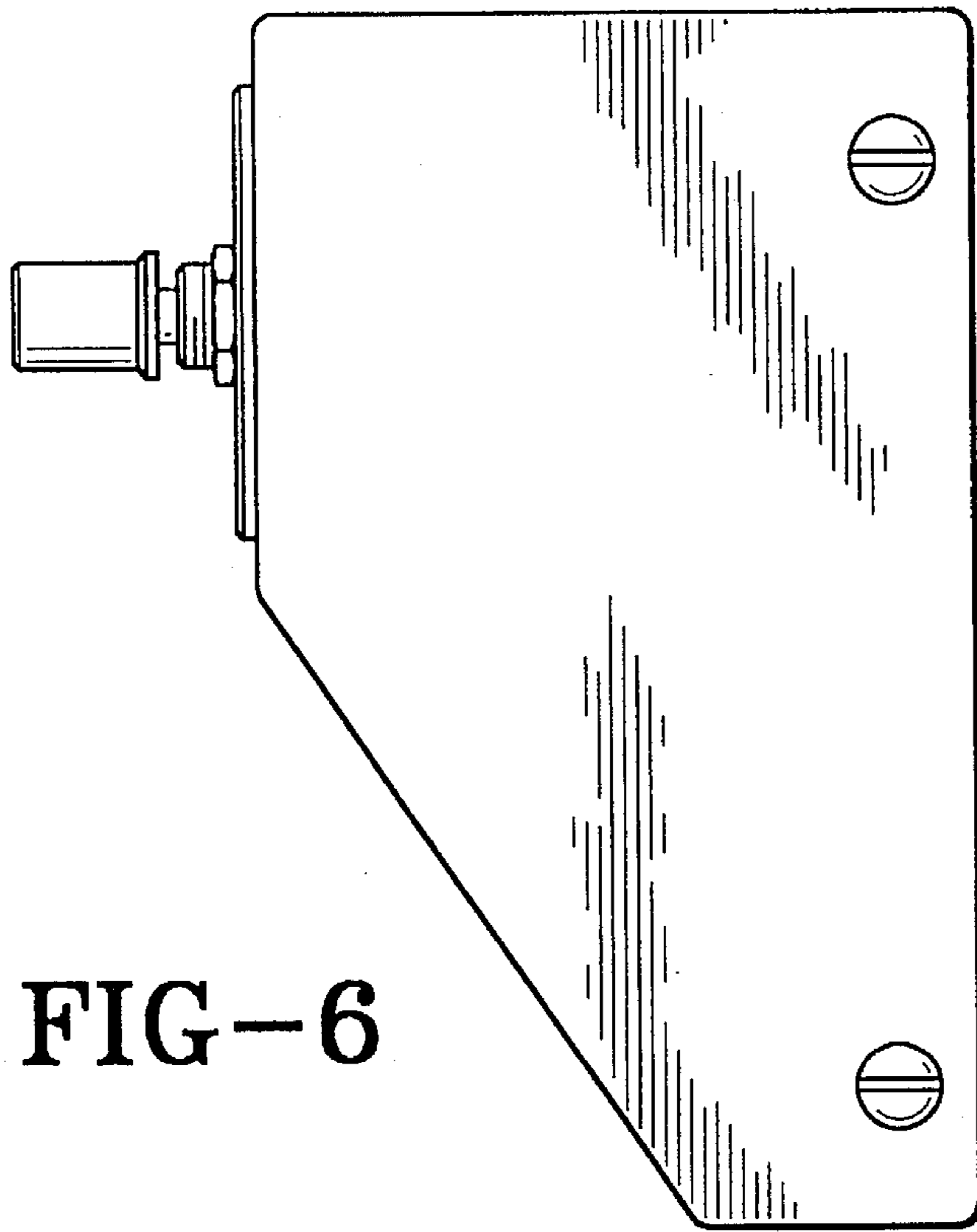


FIG-6

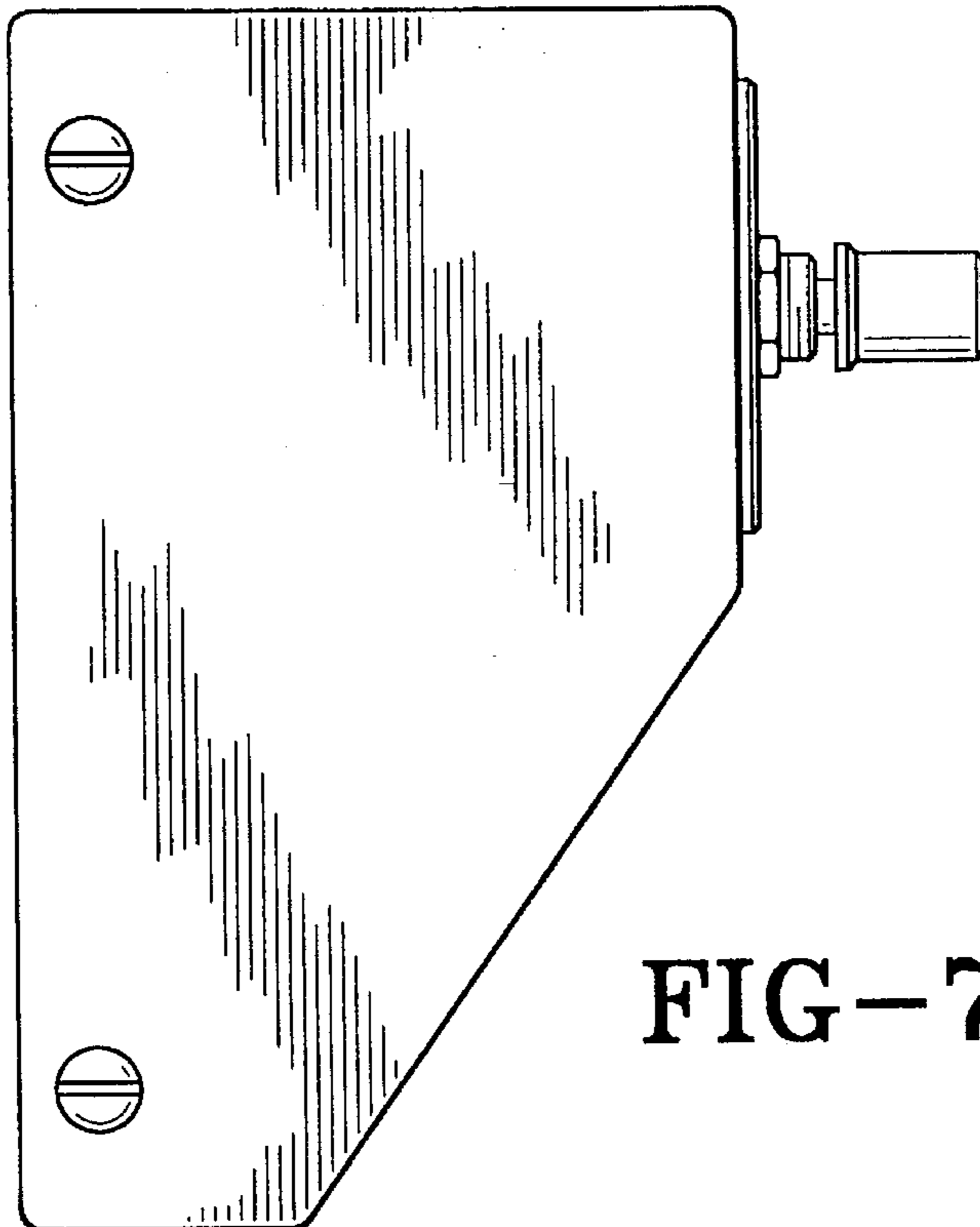


FIG-7