



US00D375742S

# United States Patent [19]

Weissberg et al.

[11] Patent Number: **Des. 375,742**

[45] Date of Patent: **\*\*Nov. 19, 1996**

[54] **VERTICAL AMPLIFIER ENCLOSURE**

[75] Inventors: **Gary S. Weissberg**, Owings Mills, Md.; **Milton Halstead**, San Juan Capistrano, Calif.

[73] Assignee: **Micro Multimedia Labs Inc.**, Reisterstown, Md.

[\*\*] Term: **14 Years**

[21] Appl. No.: **51,033**

[22] Filed: **Feb. 23, 1996**

[52] U.S. Cl. .... **D14/188**; D14/109

[58] Field of Search ..... D14/102, 109, D14/124, 137, 156, 188-198, 257, 299; 455/344, 347, 350, 351

[56] **References Cited**

**U.S. PATENT DOCUMENTS**

- D. 308,517 6/1990 Horie ..... D14/109
- D. 327,682 7/1992 Shimazu ..... D14/188 X
- D. 335,655 5/1993 Hill ..... D14/102

D. 366,030 1/1996 Tinsley, Jr. et al. .... D14/102

*Primary Examiner*—Philip S. Hyder  
*Assistant Examiner*—Nanda Bondade  
*Attorney, Agent, or Firm*—Hughes Hubbard & Reed LLP

[57] **CLAIM**

The ornamental design for a vertical amplifier enclosure, as shown and described.

**DESCRIPTION**

FIG. 1 is a front, top and left side perspective view of a vertical amplifier enclosure showing our new design; FIG. 2 is a front elevational view thereof; FIG. 3 is a right side elevation view thereof; FIG. 4 is a rear elevation view thereof; FIG. 5 is a top plan view thereof; FIG. 6 is a bottom plan view thereof; FIG. 7 is a front, top and left side perspective view thereof, with its stabilizers in an extended position; and, FIG. 8 is a top plan view thereof, with its stabilizers in an extended position.

**1 Claim, 6 Drawing Sheets**

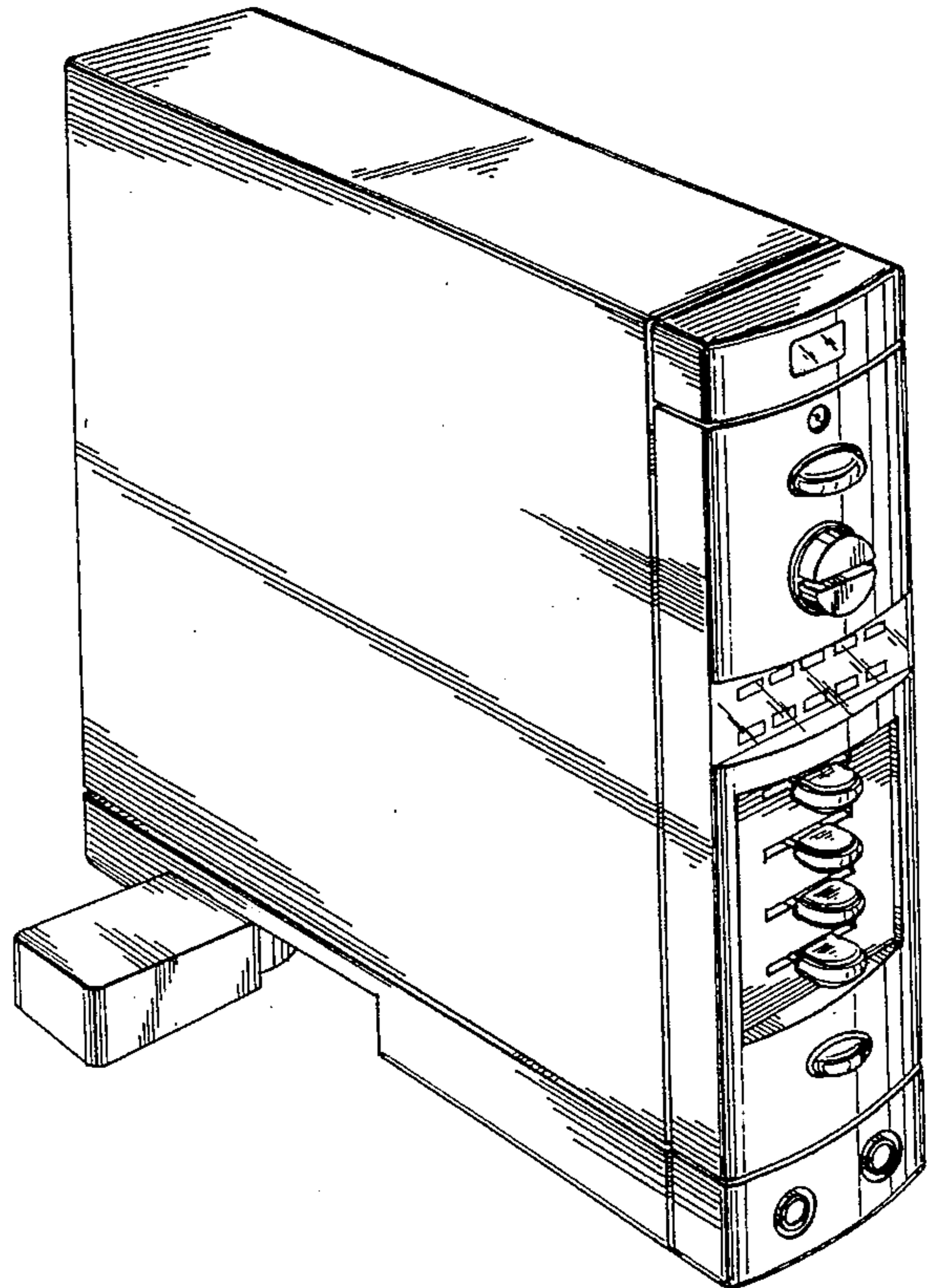
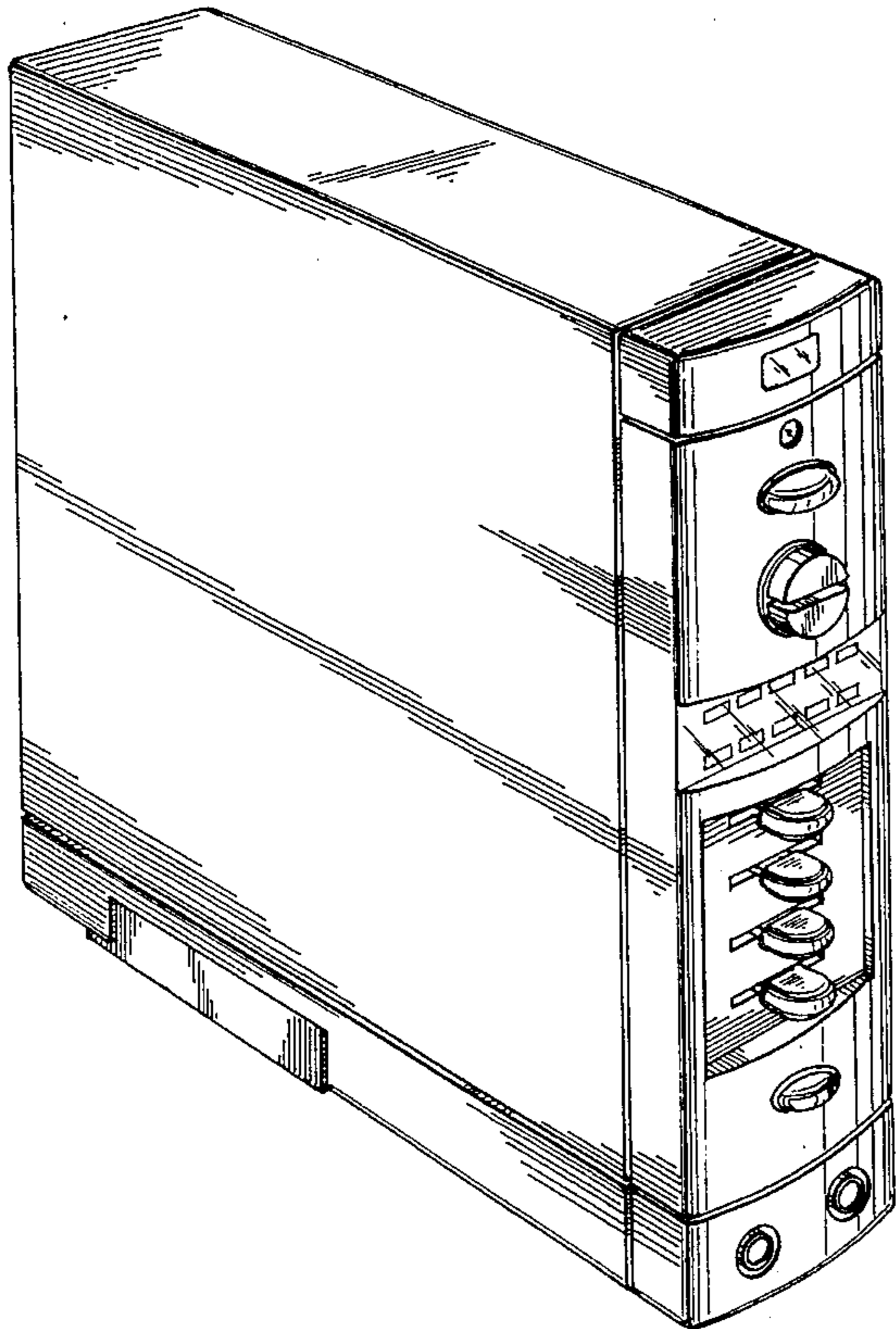


FIG. 1

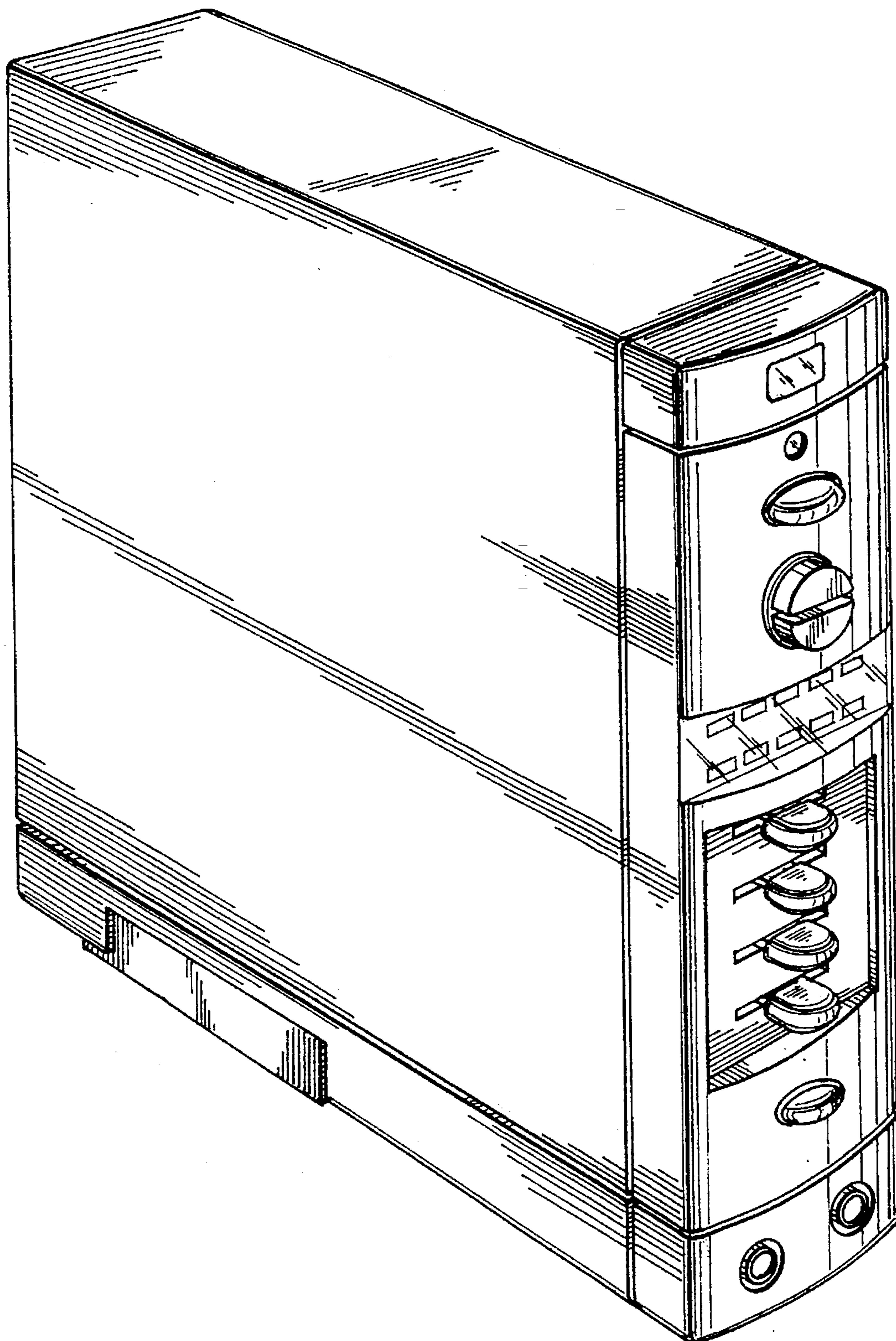


FIG. 2

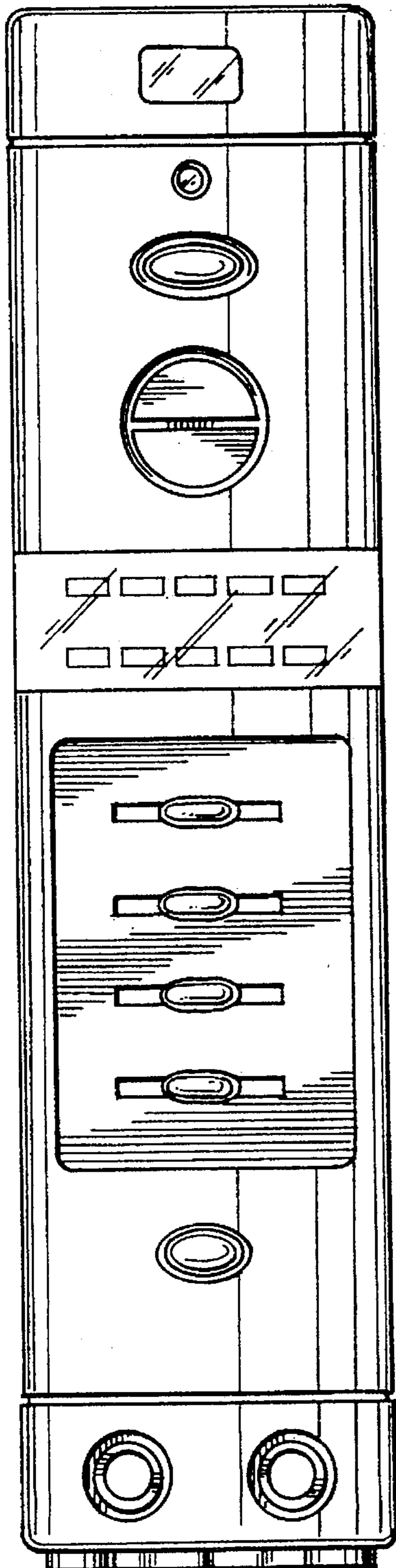


FIG. 4

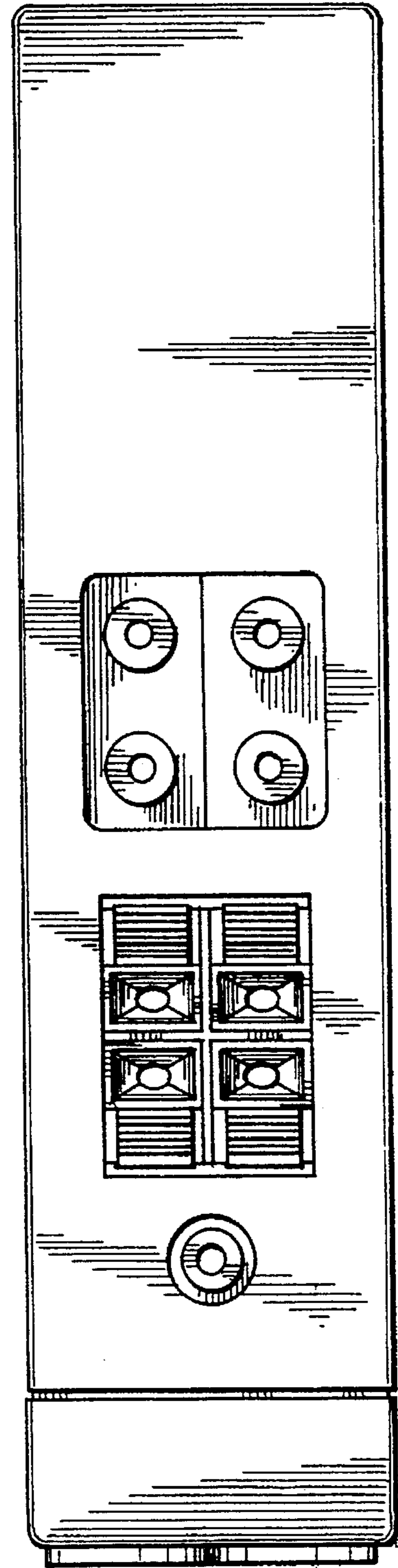


FIG. 3

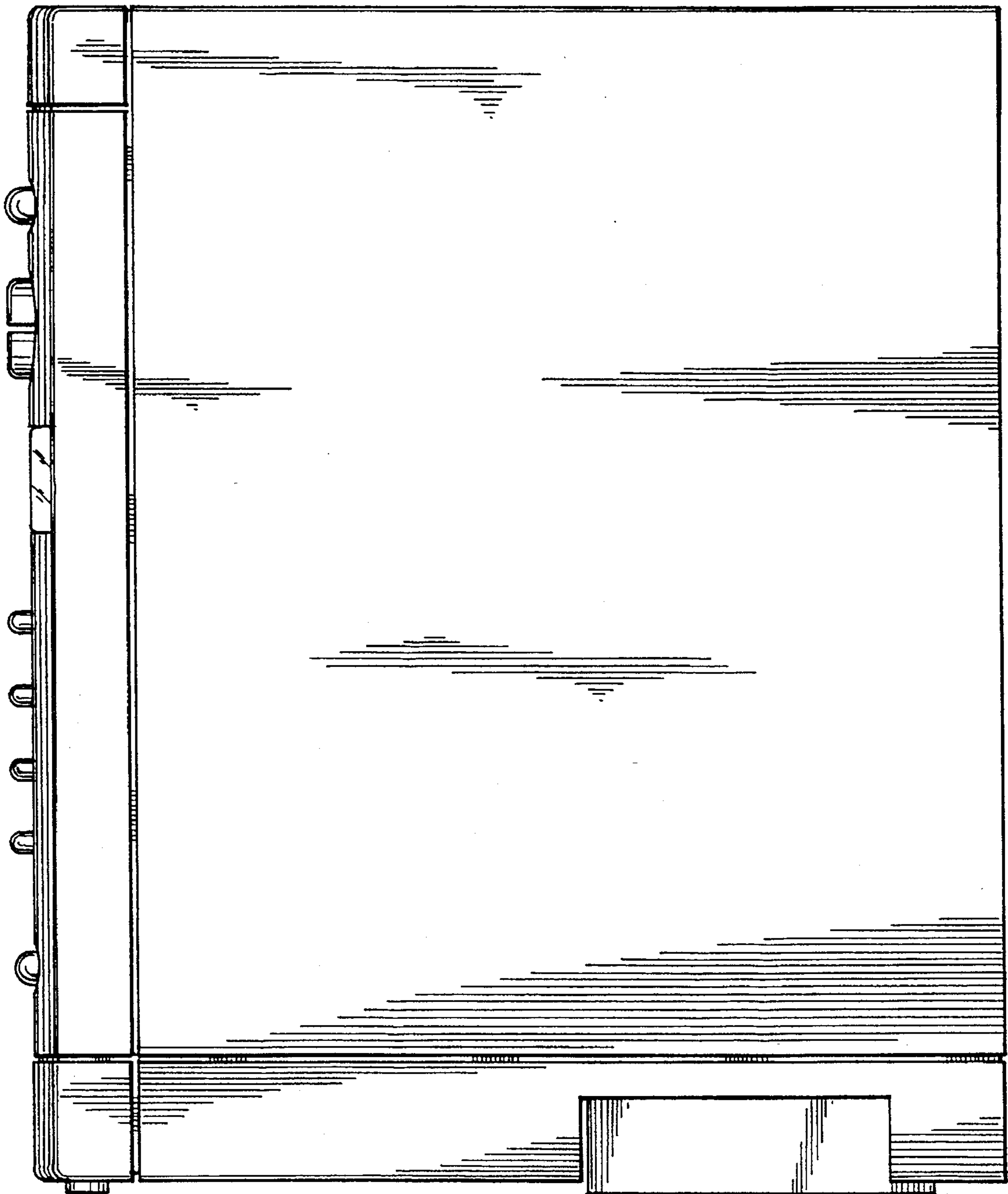


FIG. 5

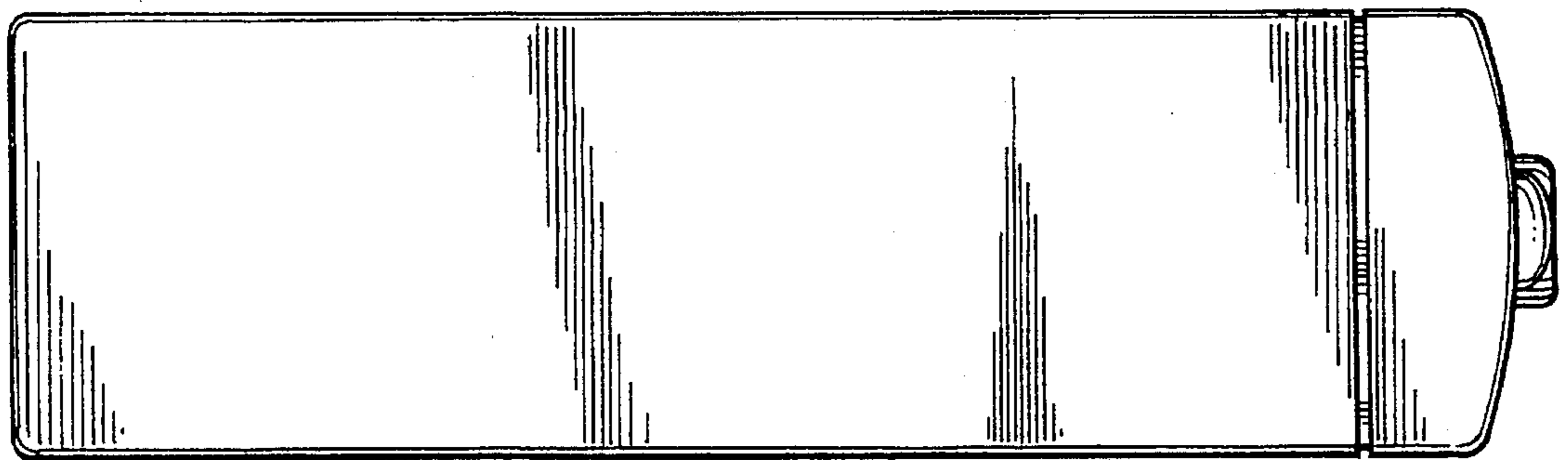


FIG. 6

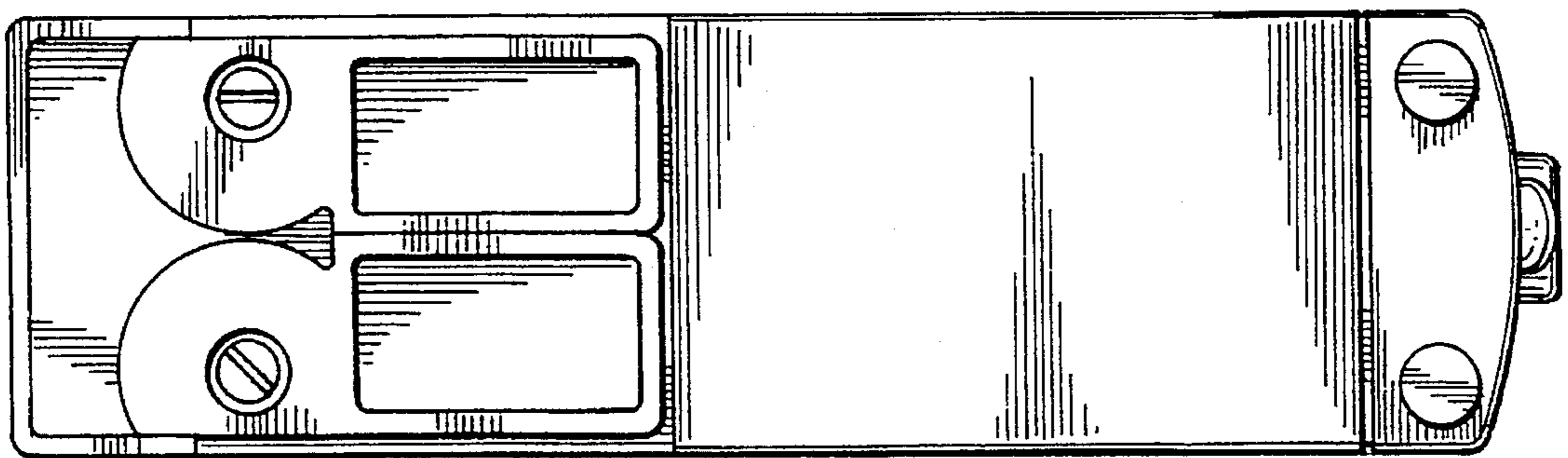


FIG. 7

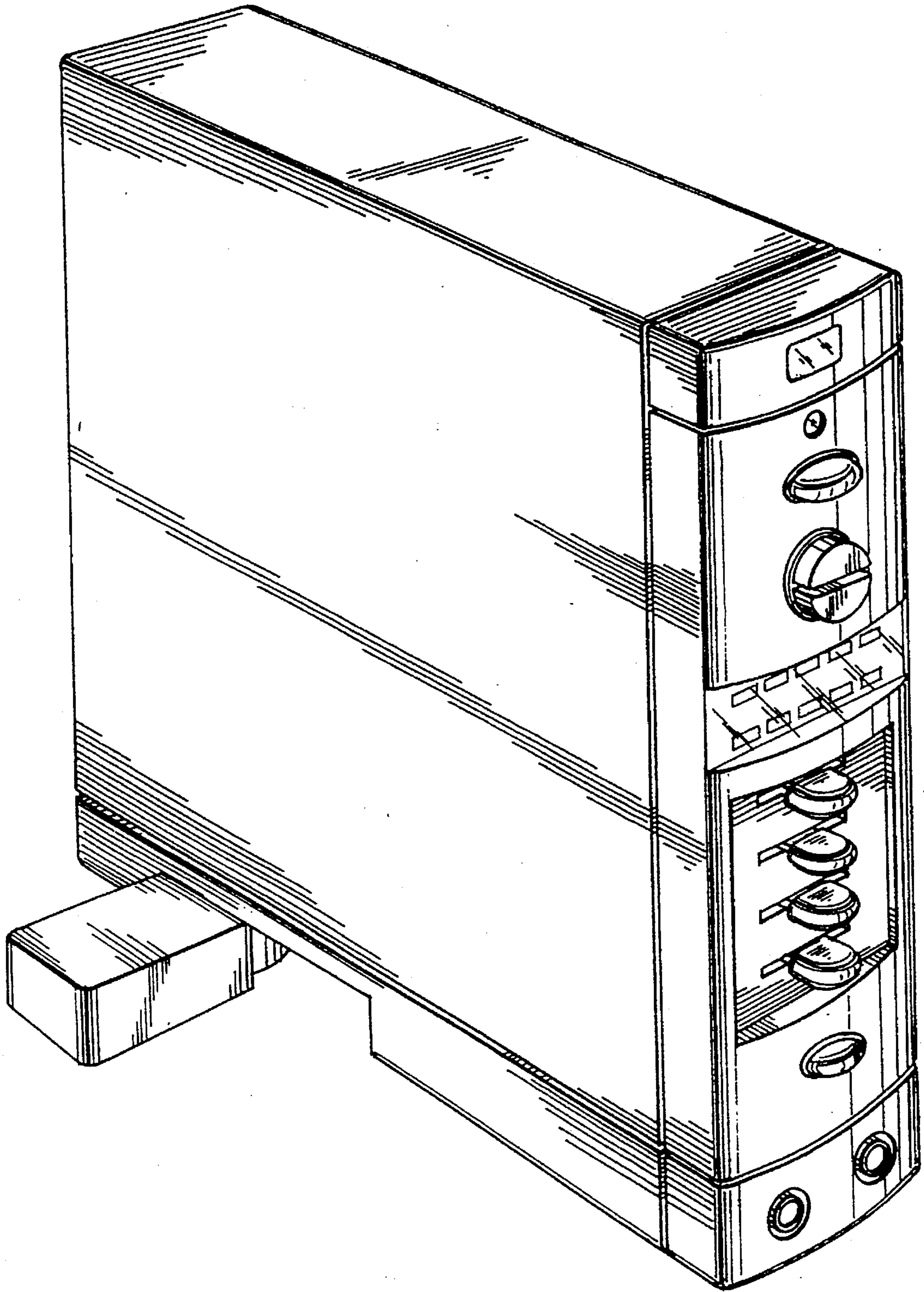


FIG. 8

