



US00D375735S

# United States Patent [19]

Tochishita

[11] Patent Number: **Des. 375,735**

[45] Date of Patent: **\*\*Nov. 19, 1996**

[54] **COMPUTER WITH TELEPHONE AND FACSIMILE**

[75] Inventor: **Masaru Tochishita, Osaka, Japan**

[73] Assignee: **Matsushita Electric Industrial Co., Ltd., Osaka, Japan**

[\*\*] Term: **14 Years**

[21] Appl. No.: **46,660**

[22] Filed: **Oct. 10, 1995**

[30] **Foreign Application Priority Data**

May 10, 1995 [JP] Japan ..... 7-13142

[52] U.S. Cl. .... **D14/144; D14/100; D14/118**

[58] **Field of Search** ..... D14/137, 138, D14/140, 142, 147-150, 100, 113, 101, 118, 107, 114, 141, 144, 191, 218, 106; 248/917-924; 364/708.1; 345/156, 168, 169, 172, 173, 187; 358/249, 254, 255; 379/419, 420, 428, 440, 433-436, 455, 454, 441, 110, 53; D18/6, 7, 11; 455/89-92; 361/679-683, 728

[56] **References Cited**

**U.S. PATENT DOCUMENTS**

- D. 279,372 6/1985 Baba et al. .... D14/141
- D. 344,079 2/1994 Inukai et al. .... D14/118
- D. 345,147 3/1994 Fukutake et al. .... D14/100
- D. 348,070 6/1994 Vallillee ..... D14/107 X

- D. 353,803 12/1994 Kuzumoto et al. .... D14/100
- D. 357,000 4/1995 Takahashi ..... D14/100
- D. 358,582 5/1995 Funaki ..... D14/100
- D. 362,252 9/1995 Ansell et al. .... D14/138 X
- D. 363,468 10/1995 Mieki et al. .... D14/100
- D. 366,463 1/1996 Ive et al. .... D14/100
- 5,422,656 6/1995 Allard et al. .... 379/433 X
- 5,446,789 8/1995 Loy et al. .... 379/434 X

**OTHER PUBLICATIONS**

Sony catalog, issued 1994, 1 sheet.  
Motorola catalog issued 1994, 2 sheets.

*Primary Examiner*—Jeffrey Asch  
*Attorney, Agent, or Firm*—Sughrue, Mion, Zinn, Macpeak & Seas

[57] **CLAIM**

The ornamental design for a computer with telephone and facsimile, as shown.

**DESCRIPTION**

FIG. 1 is a perspective view of the top, front and left side of a computer with telephone and facsimile showing my new design;  
FIG. 2 is a top plan view thereof;  
FIG. 3 is a right side elevational view thereof;  
FIG. 4 is a rear elevational view thereof;  
FIG. 5 is a front elevational view thereof;  
FIG. 6 is a bottom plan view thereof; and,  
FIG. 7 is a left side elevational view thereof.

**1 Claim, 2 Drawing Sheets**

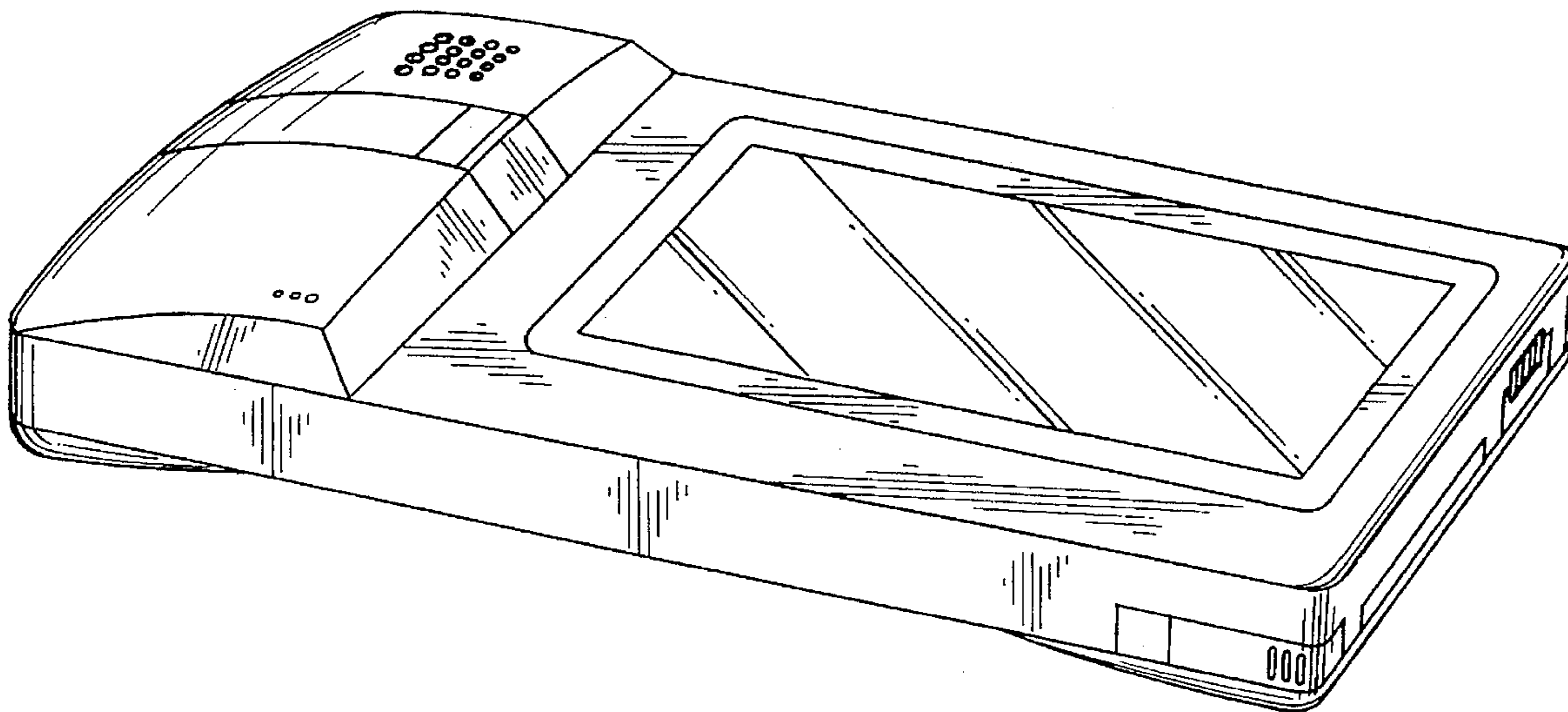


FIG. 1

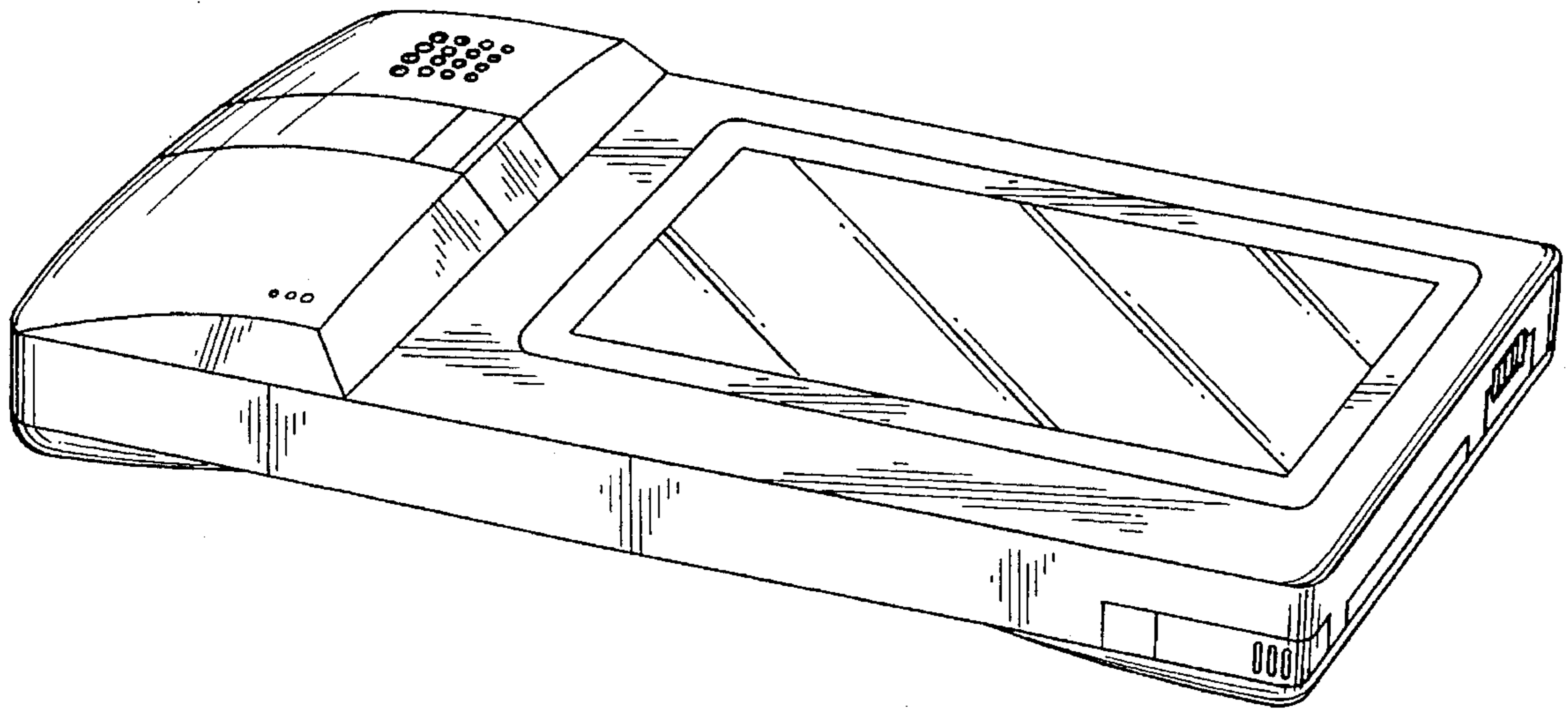


FIG. 2

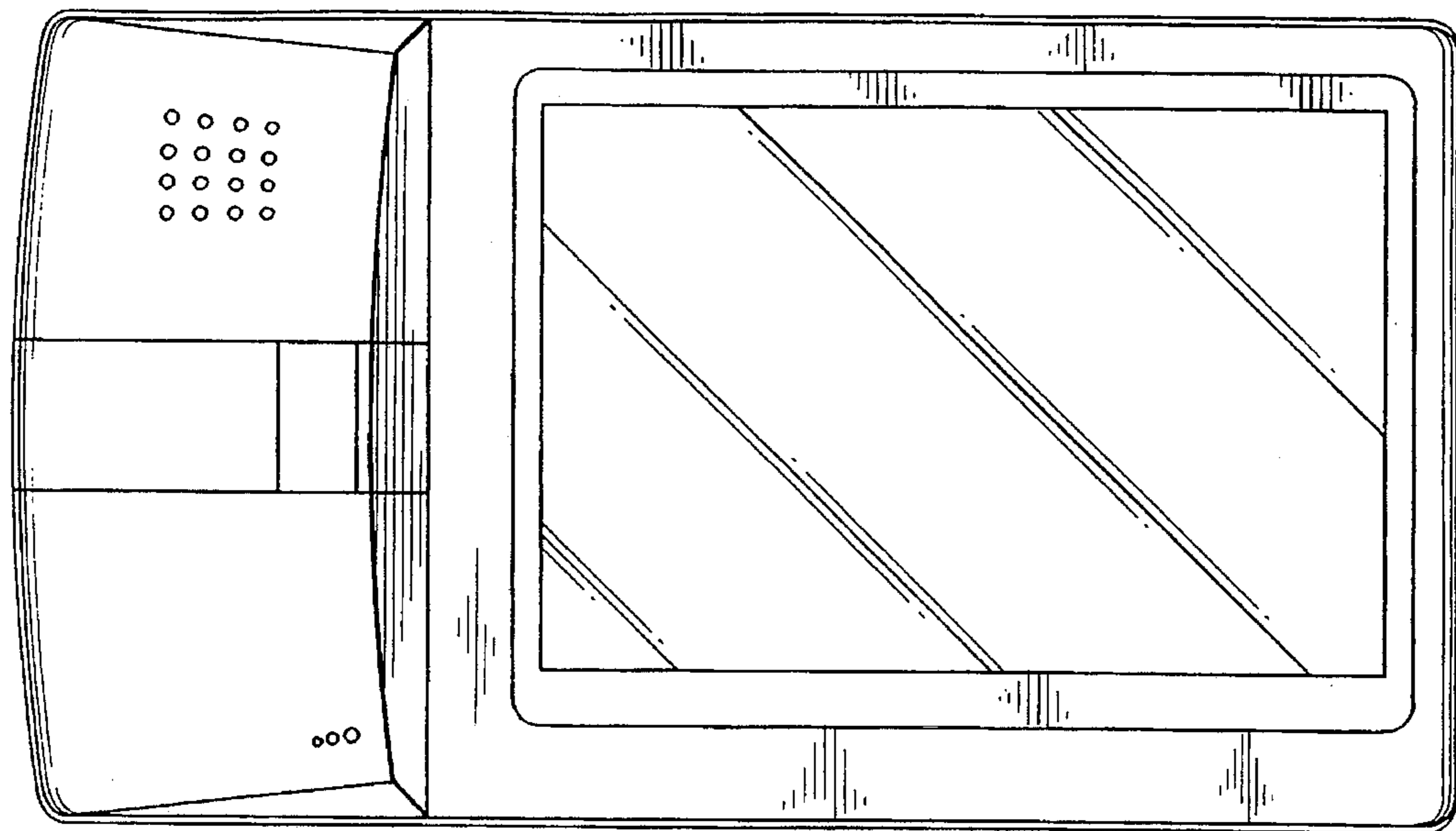


FIG. 3

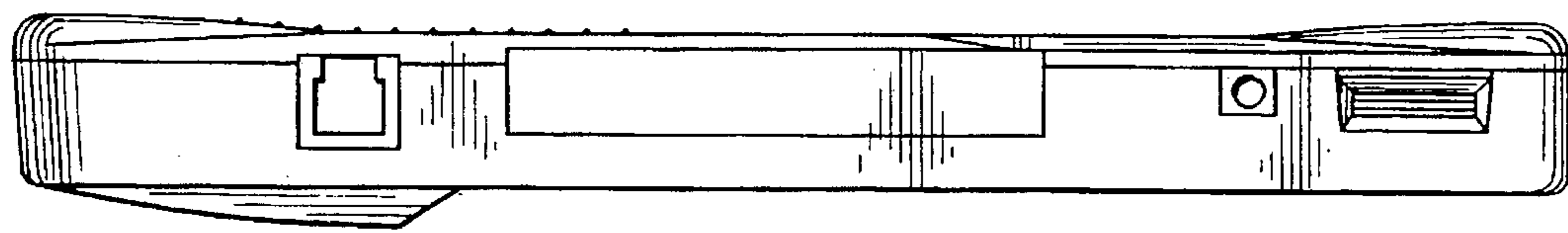


FIG. 4

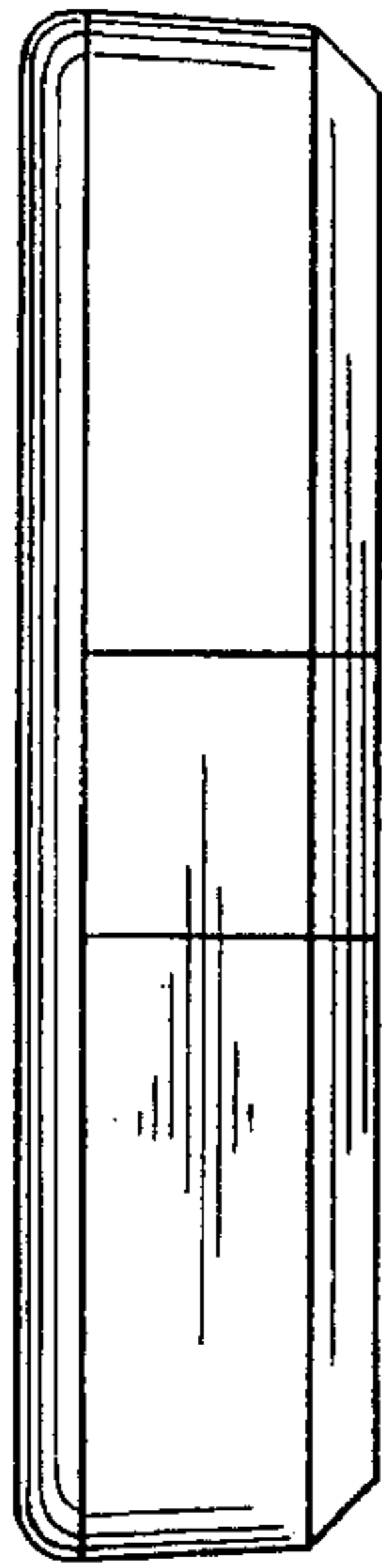


FIG. 5

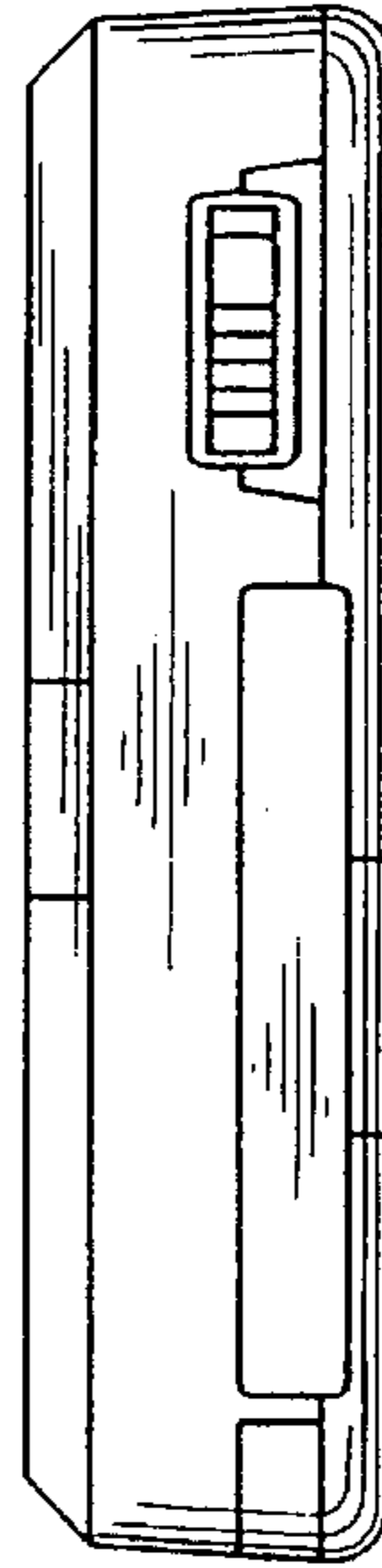


FIG. 6

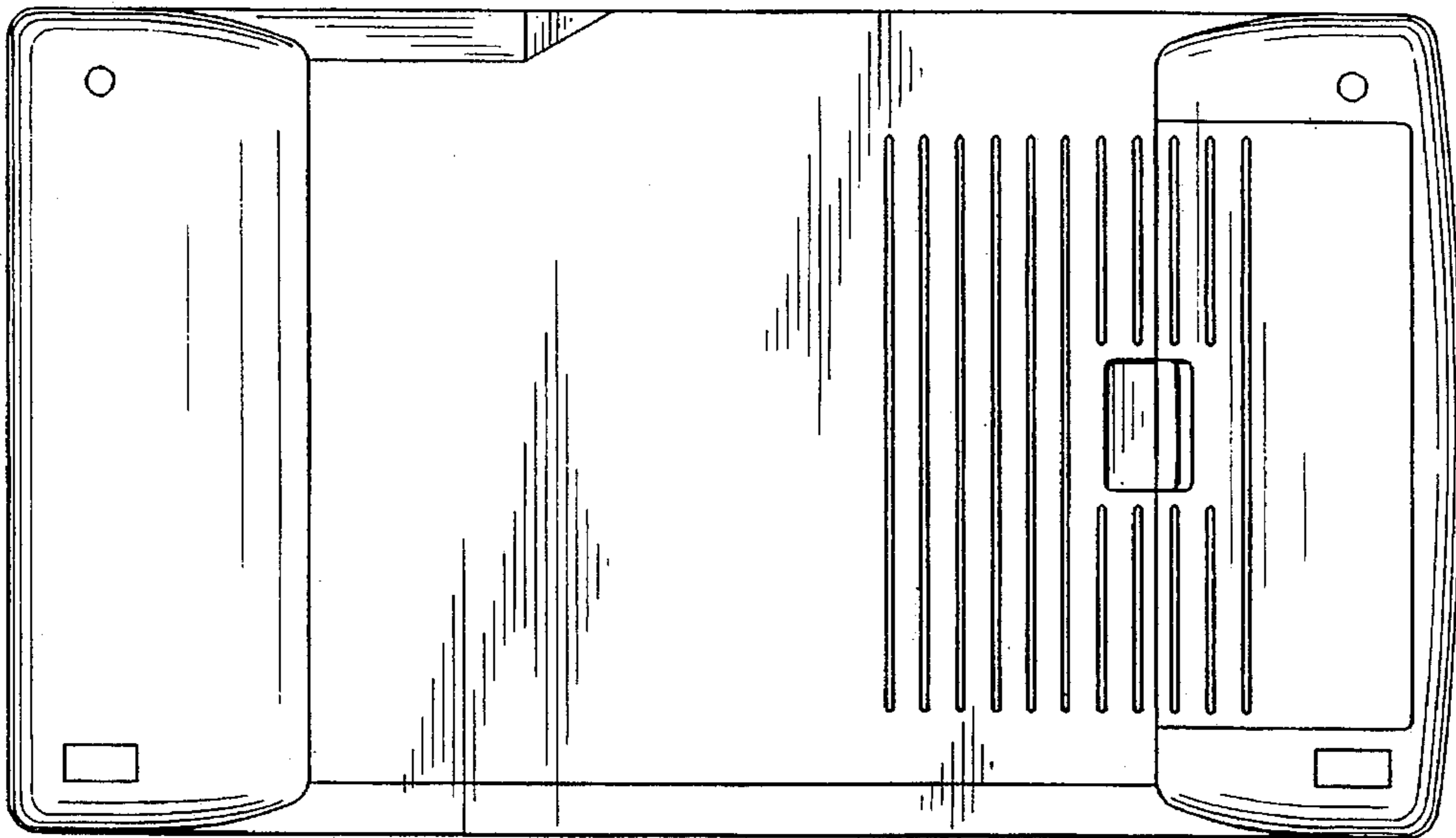


FIG. 7

