



US00D375730S

United States Patent [19]
Chen

[11] **Patent Number: Des. 375,730**

[45] **Date of Patent: **Nov. 19, 1996**

[54] **SCREEN SHIELD**

5,223,468 8/1993 McNulty 359/601
5,237,453 8/1993 Jones 359/601

[75] Inventor: **Shu-Ying Chen**, Tainan Hsien, Taiwan

[73] Assignee: **Horng Technical Enterprise Co., Ltd.**,
Tainan Hsien, Taiwan

[**] Term: **14 Years**

Primary Examiner—M. H. Tung
Attorney, Agent, or Firm—Beveridge, DeGrandi, Weilacher
& Young, L.L.P.

[21] Appl. No.: **44,945**

[22] Filed: **Oct. 4, 1995**

[52] **U.S. Cl.** **D14/114**

[58] **Field of Search** D14/113-4, 239;
D18/18, 22, 12; 348/832-5; 359/599, 601,
608-10, 614, 894

[57] **CLAIM**

The ornamental design for screen shield, as shown and described.

DESCRIPTION

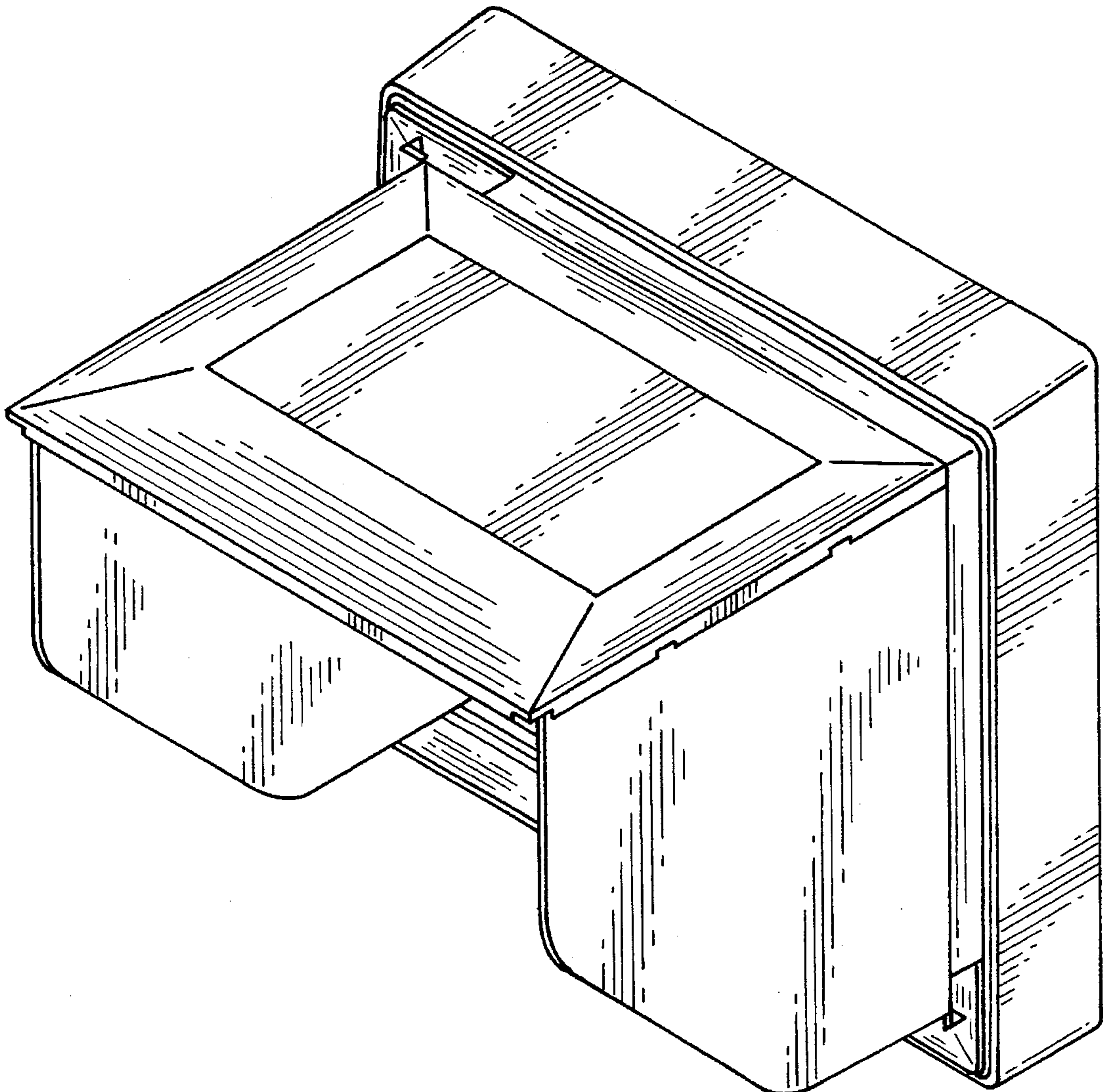
FIG. 1 is a perspective view of screen shield showing my new design;
FIG. 2 is a front view thereof;
FIG. 3 is a rear view thereof;
FIG. 4 is a top plan view thereof;
FIG. 5 is a bottom plan view thereof;
FIG. 6 is a right side view thereof; and,
FIG. 7 is a left side view thereof.

[56] **References Cited**

U.S. PATENT DOCUMENTS

D. 311,912	11/1990	Schmidt	D14/114
4,444,465	4/1984	Giulie et al.	359/601
5,115,345	5/1992	Hobson et al.	359/601
5,121,253	6/1992	Waintroob	359/601

1 Claim, 4 Drawing Sheets



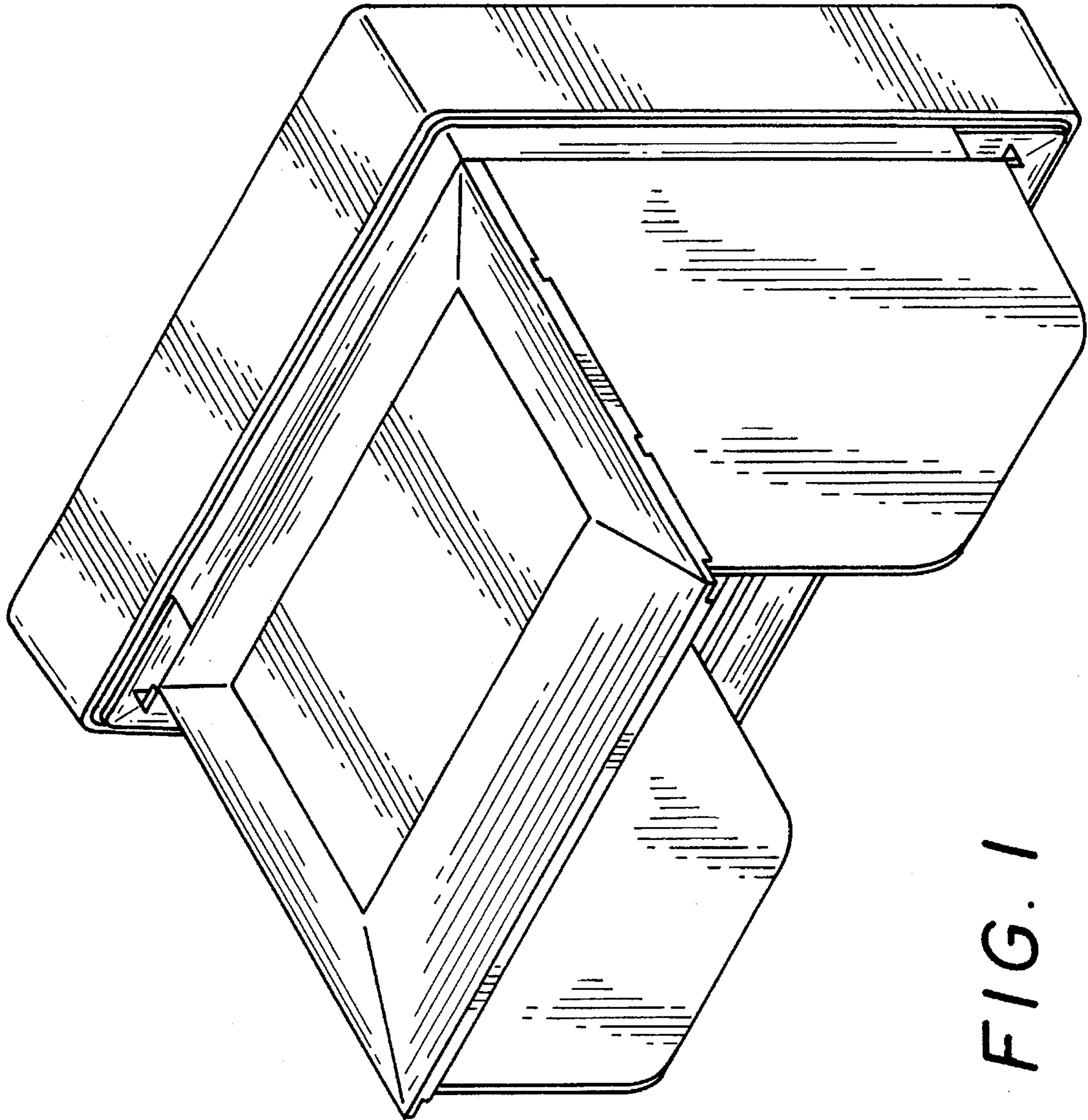


FIG. 1

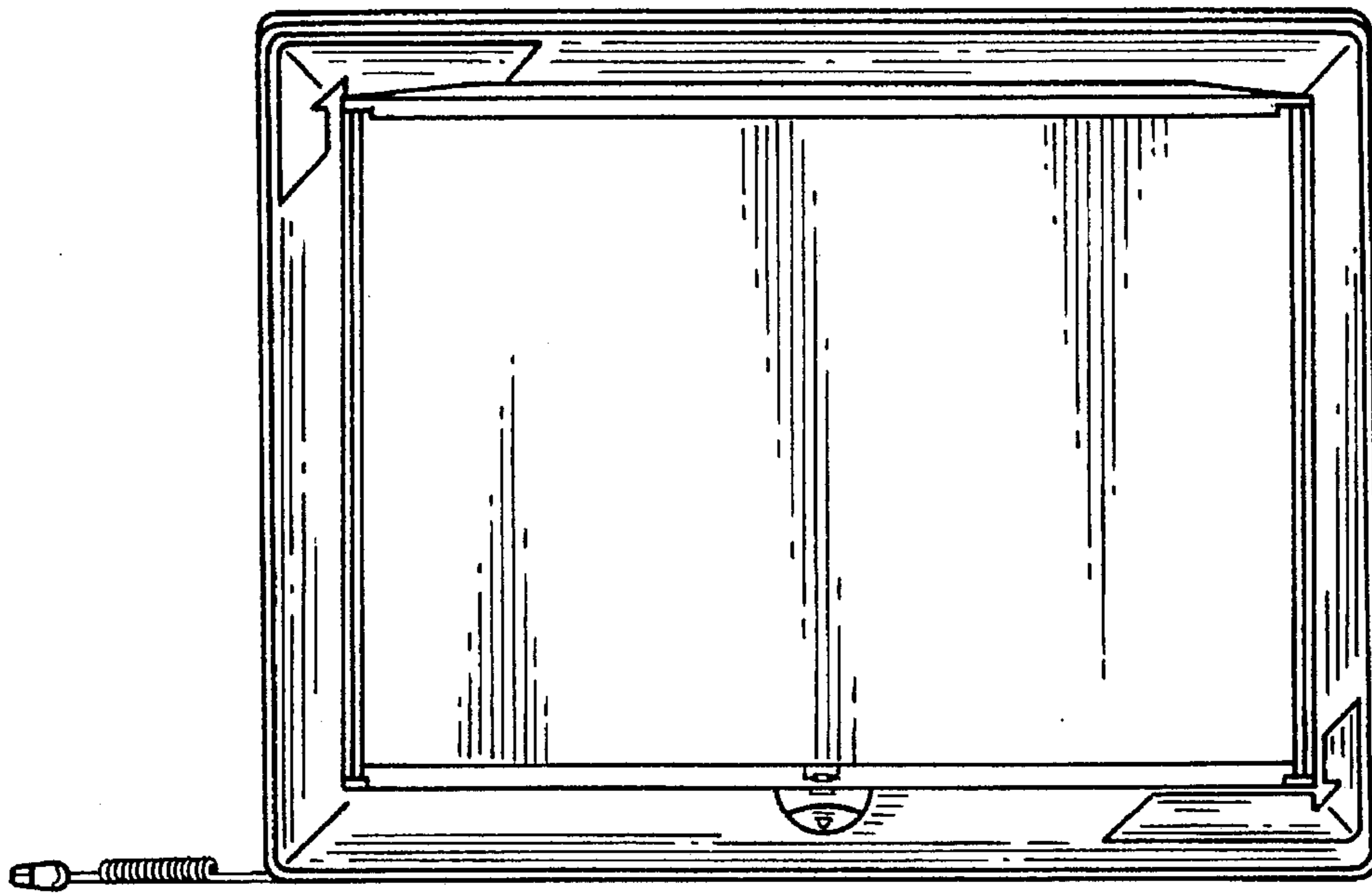


FIG. 2

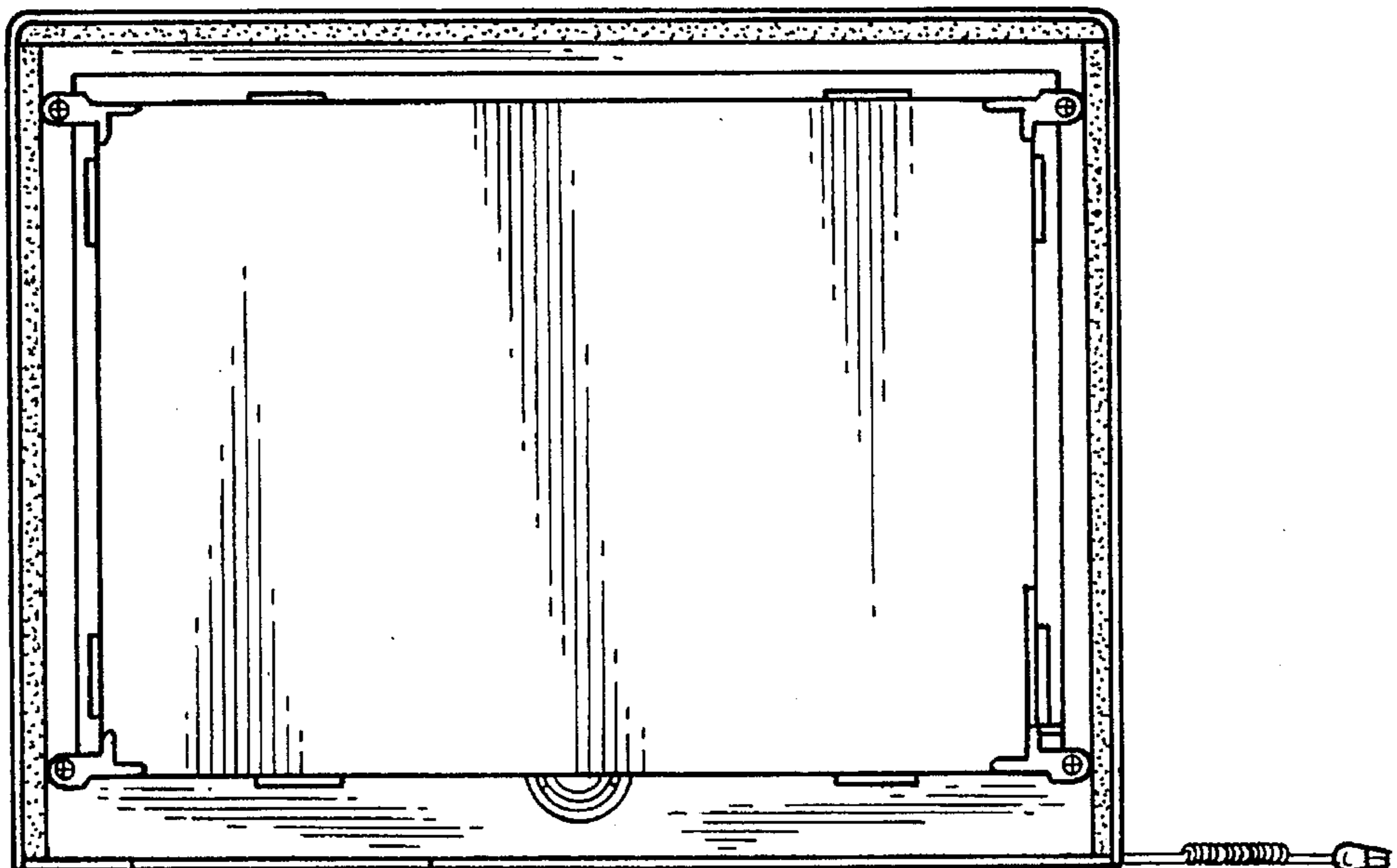


FIG. 3

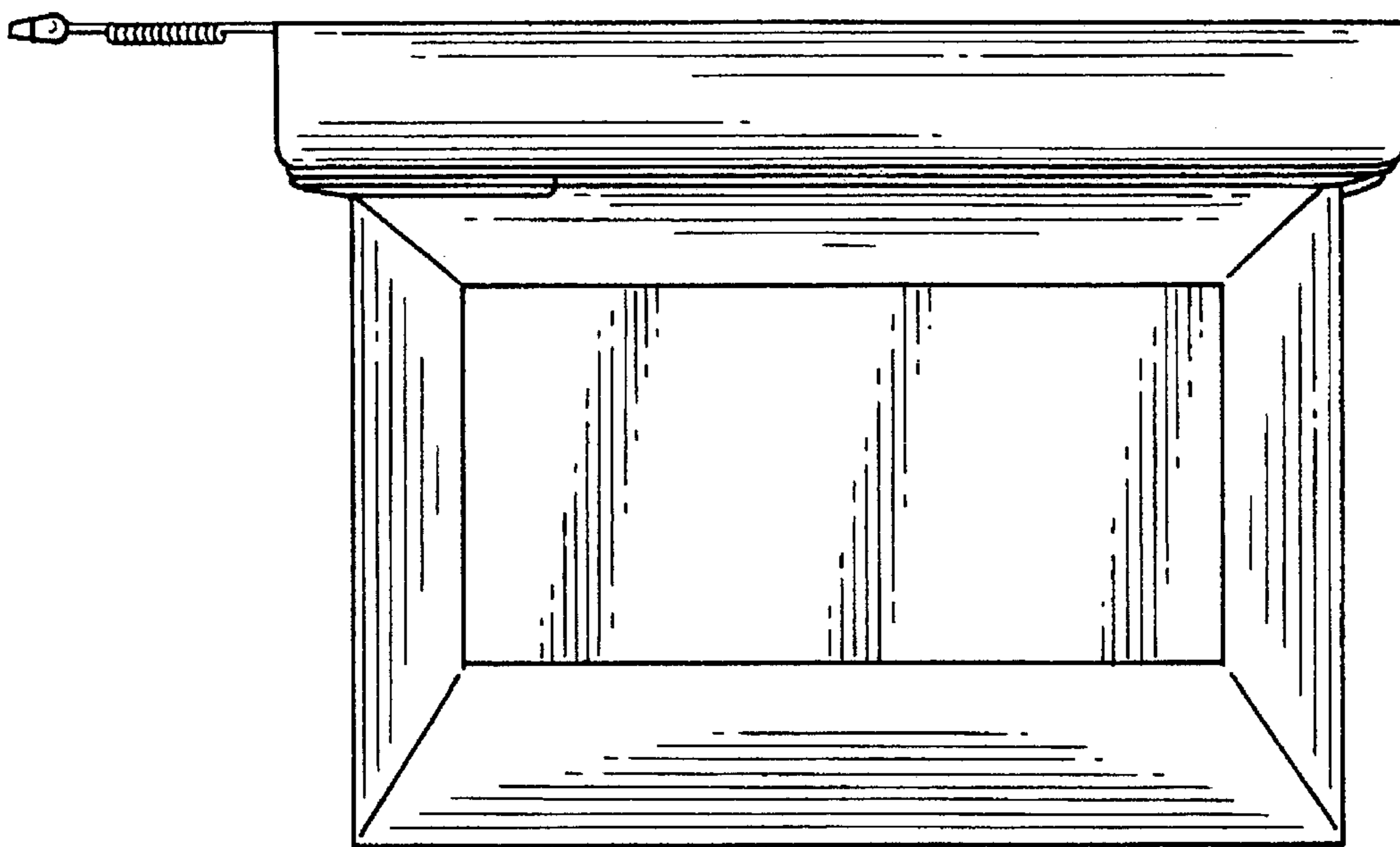


FIG. 4

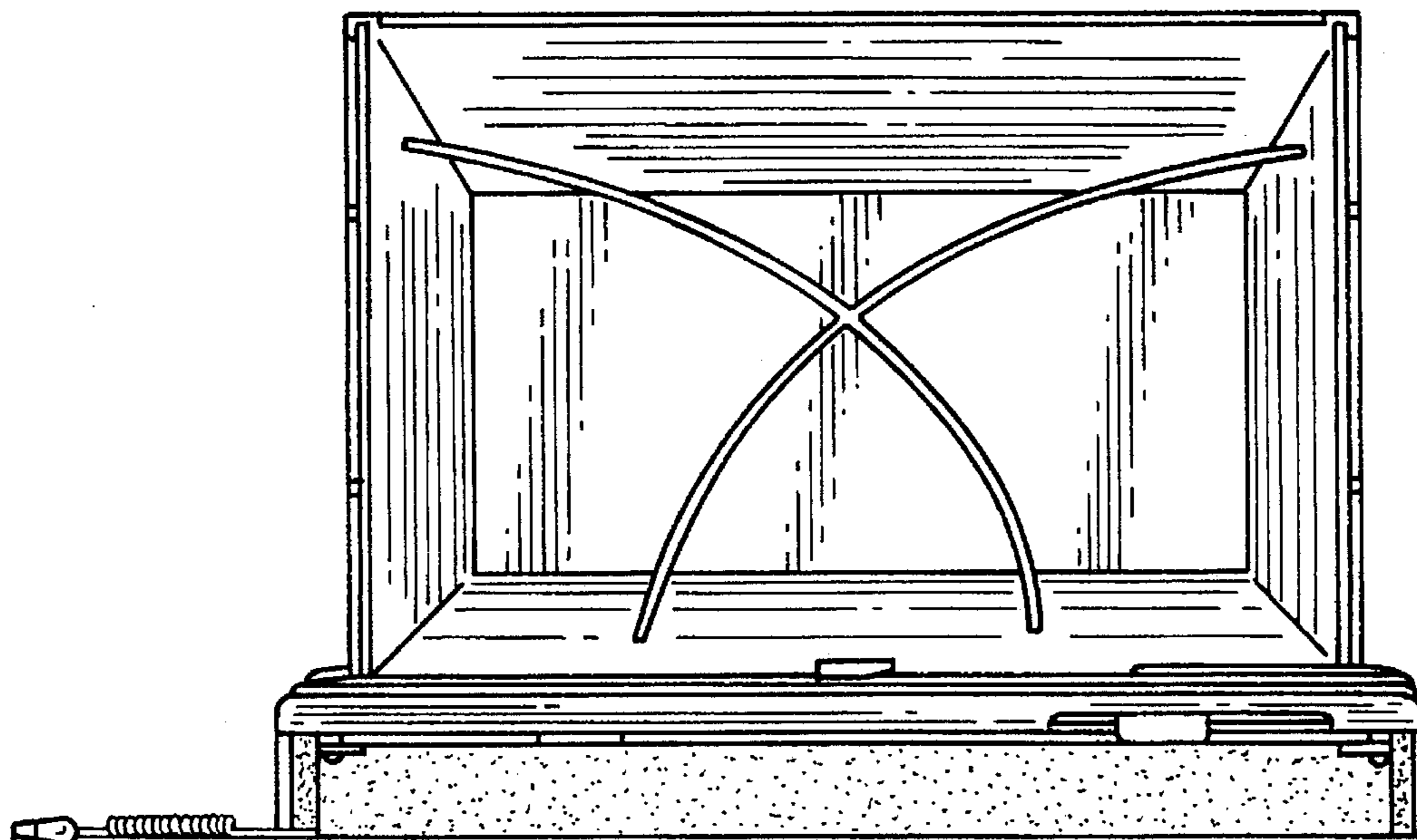


FIG. 5

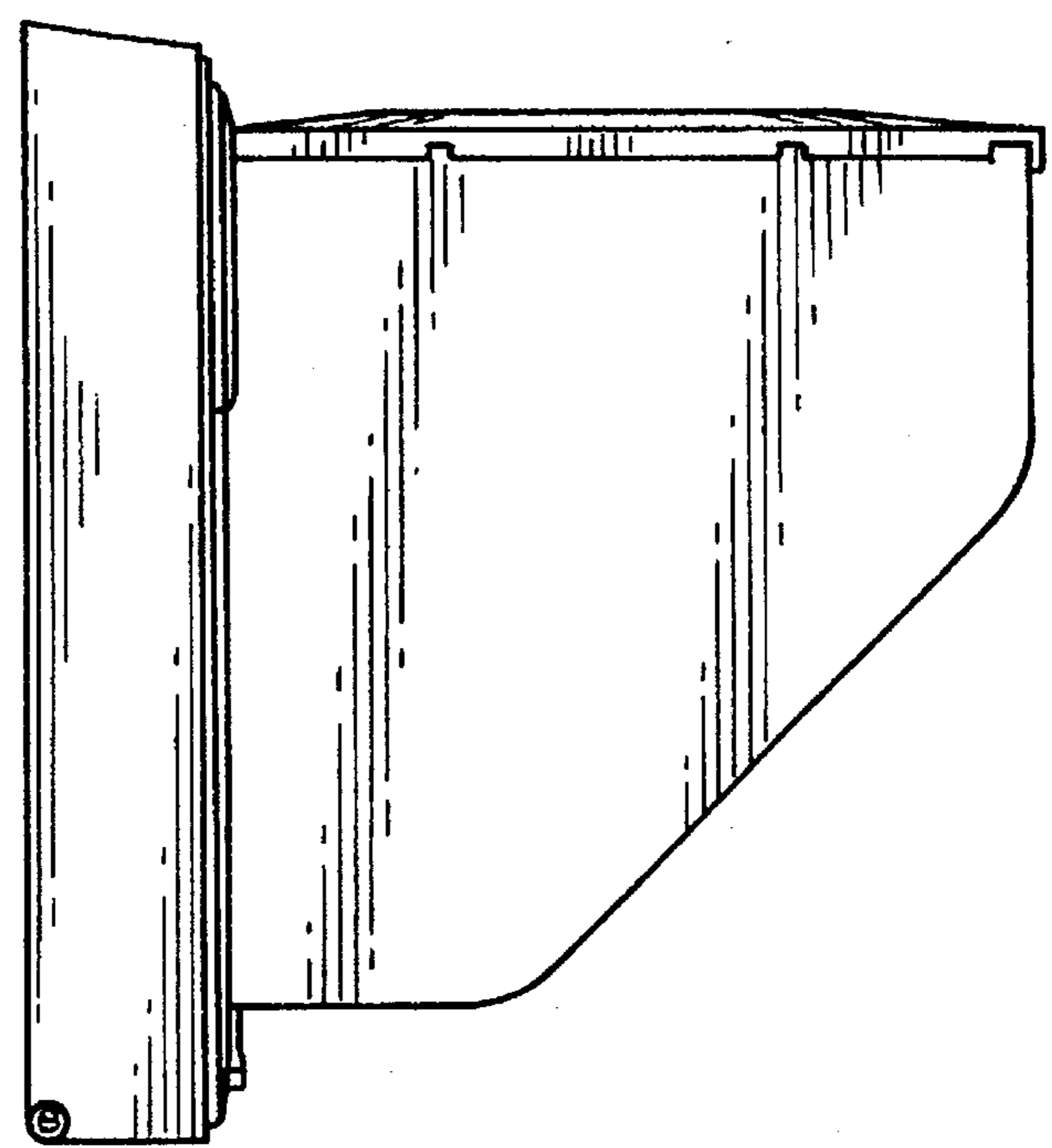


FIG. 6

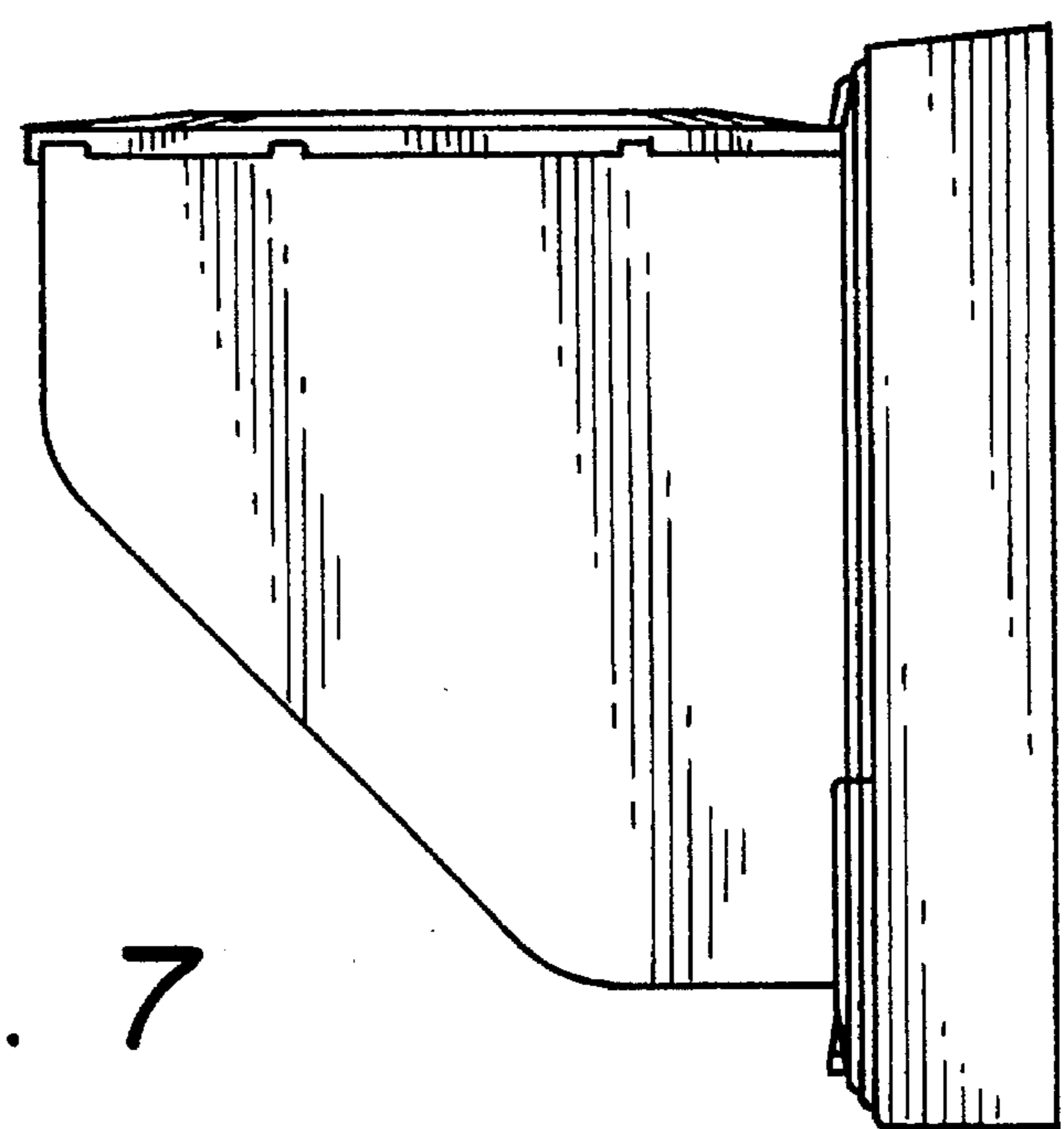


FIG. 7