



US00D375728S

United States Patent [19]

[11] Patent Number: **Des. 375,728**

Nicklos et al.

[45] Date of Patent: ****Nov. 19, 1996**

[54] **FRONT PANEL OF A COMPUTER DATA STORAGE DEVICE**

[75] Inventors: **Carl F. Nicklos**, Ogden, Utah; **Nicholas Brawne**, Columbus, Ohio

[73] Assignee: **Iomega Corporation**, Roy, Utah

[**] Term: **14 Years**

[21] Appl. No.: **43,144**

[22] Filed: **Aug. 25, 1995**

[52] U.S. Cl. **D14/114**

[58] Field of Search D14/100, 107, D14/109, 114, 102; D13/184, 199; 360/97.01-99.12; 361/600, 622, 627-36, 679-87, 724-8

[56] **References Cited**

U.S. PATENT DOCUMENTS

D. 334,917	4/1993	Miyamoto	D14/108
D. 338,661	8/1993	Miyamoto	D14/108
D. 349,519	8/1994	Tanaka	D14/109 X
D. 358,140	5/1995	Takasu et al.	D14/109
D. 360,197	7/1995	Ikenaga	D14/109 X
D. 362,237	9/1995	Nakada	D14/109 X

OTHER PUBLICATIONS

MacWarehouse catalog item DynaTek removable SyQuest Drive, p. 130. May 1994.

MacConnection catalog items MDS Chinon CD-ROM drives, p. 7. Mar. 1994.

Primary Examiner—M. H. Tung
Attorney, Agent, or Firm—Woodcock Washburn Kurtz Mackiewicz & Norris

[57] **CLAIM**

The ornamental design for a front panel of a computer data storage device, as shown and described.

DESCRIPTION

FIG. 1 is a perspective view depicting a preferred embodiment of our design;

FIG. 2 is a first side elevational view of the embodiment shown in FIG. 1;

FIG. 3 is a front elevational view of the embodiment shown in FIGS. 1-2 on an enlarged scale;

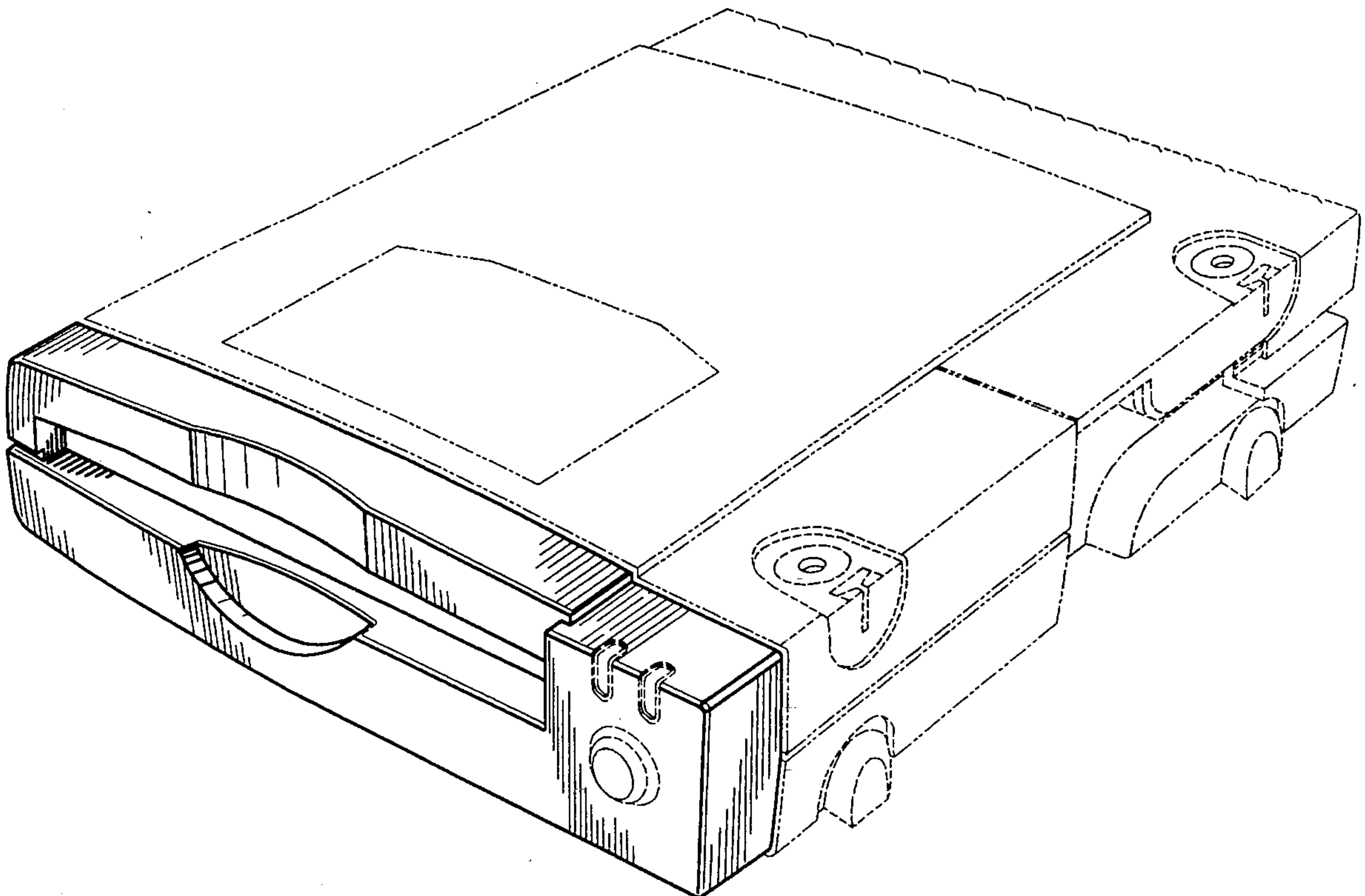
FIG. 4 is a top plan view of the embodiment shown in FIGS. 1-3;

FIG. 5 is a second side elevational view of the embodiment shown in FIGS. 1-4; and,

FIG. 6 is a bottom plan view of the embodiment shown in FIGS. 1-5.

The broken line drawings of a computer data storage device and the small elements on the front panel in all figure views are for illustrative purposes only, and form no part of the claimed design.

1 Claim, 6 Drawing Sheets



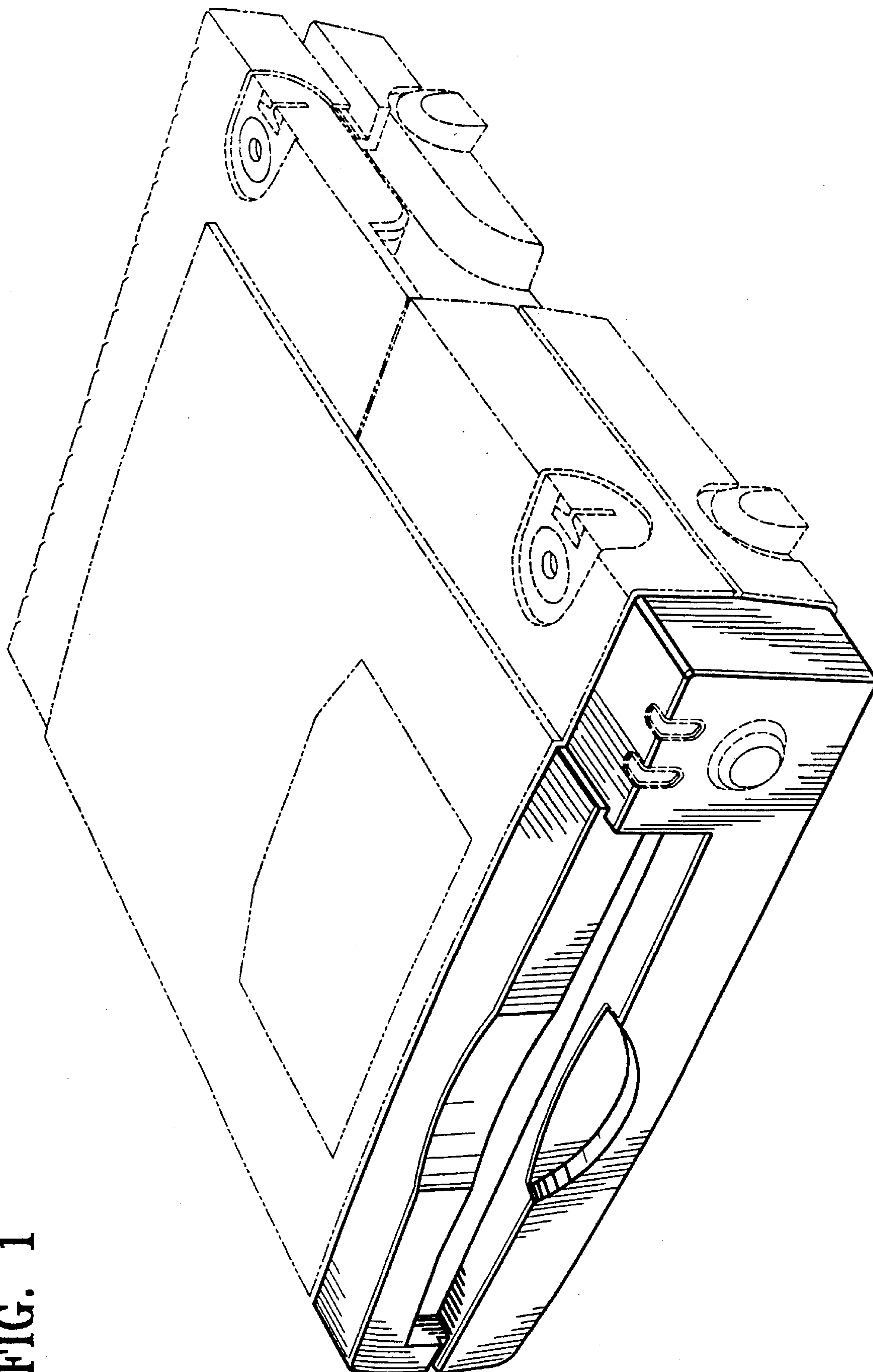


FIG. 1

FIG. 2

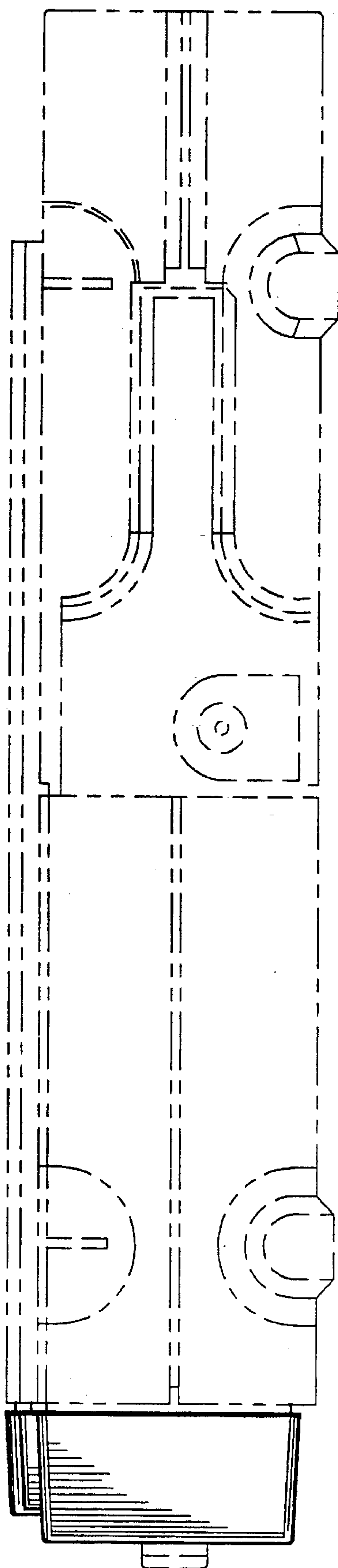
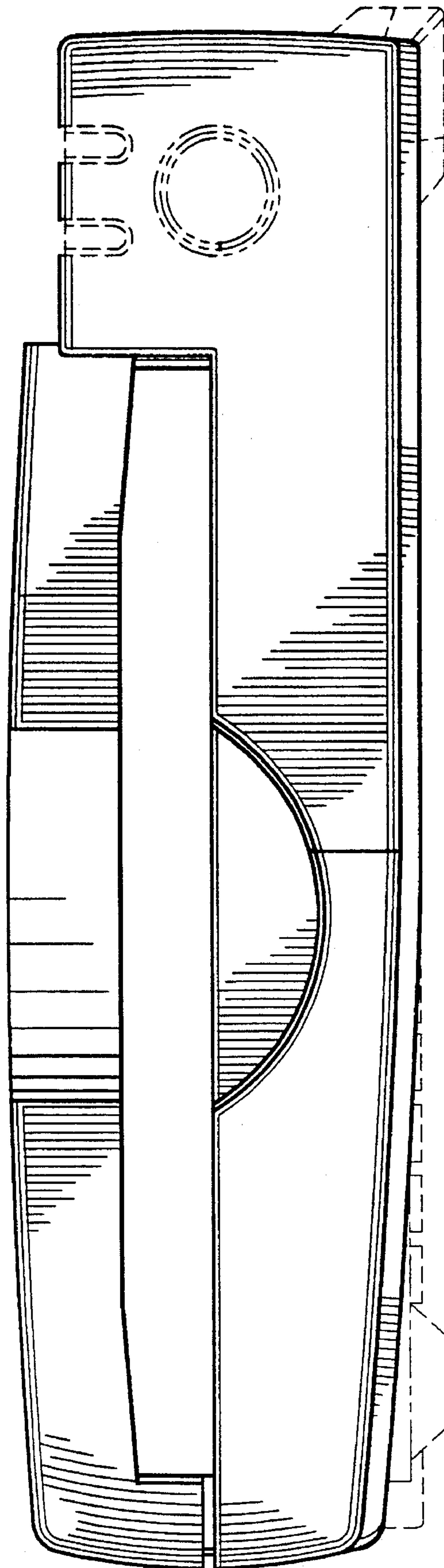


FIG. 3



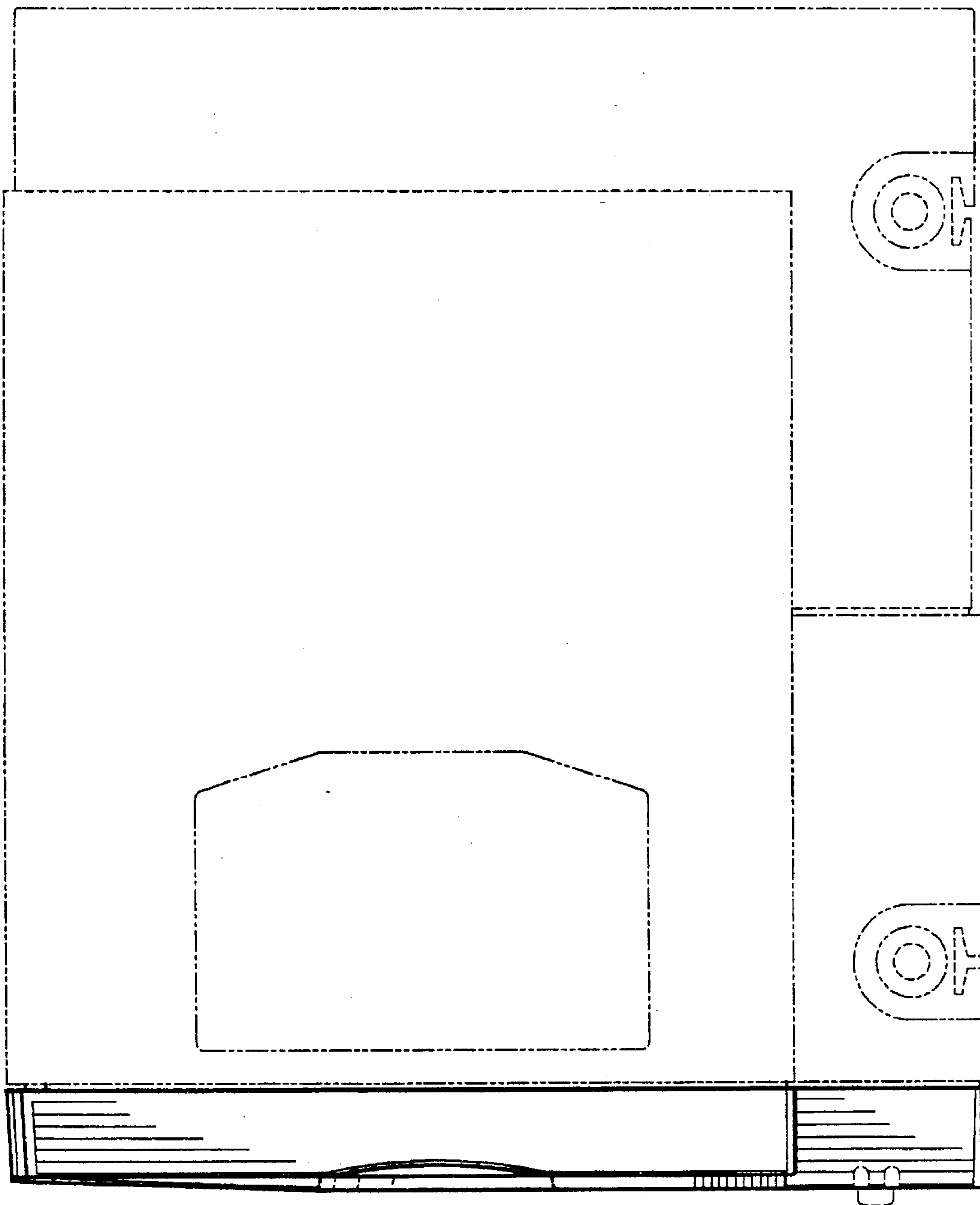
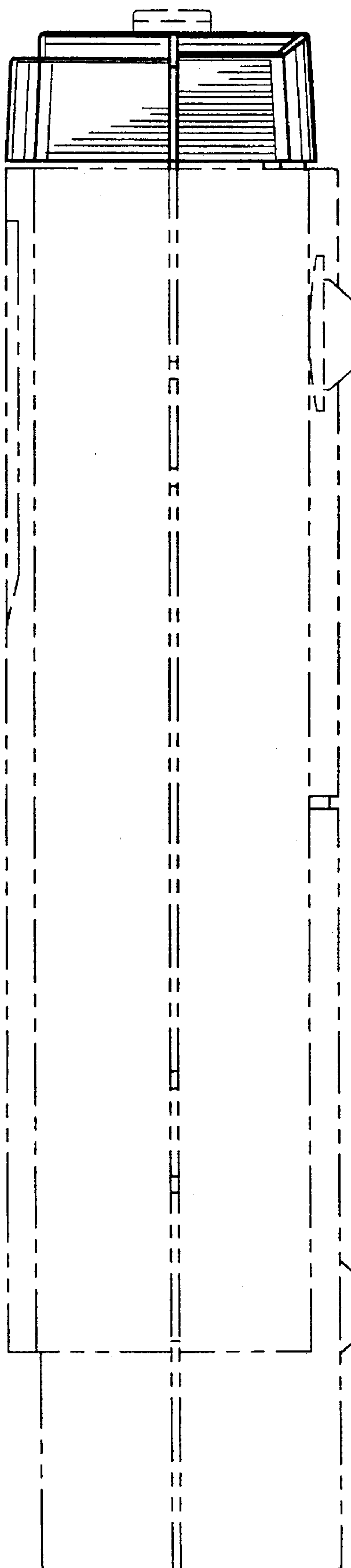


FIG. 4

FIG. 5



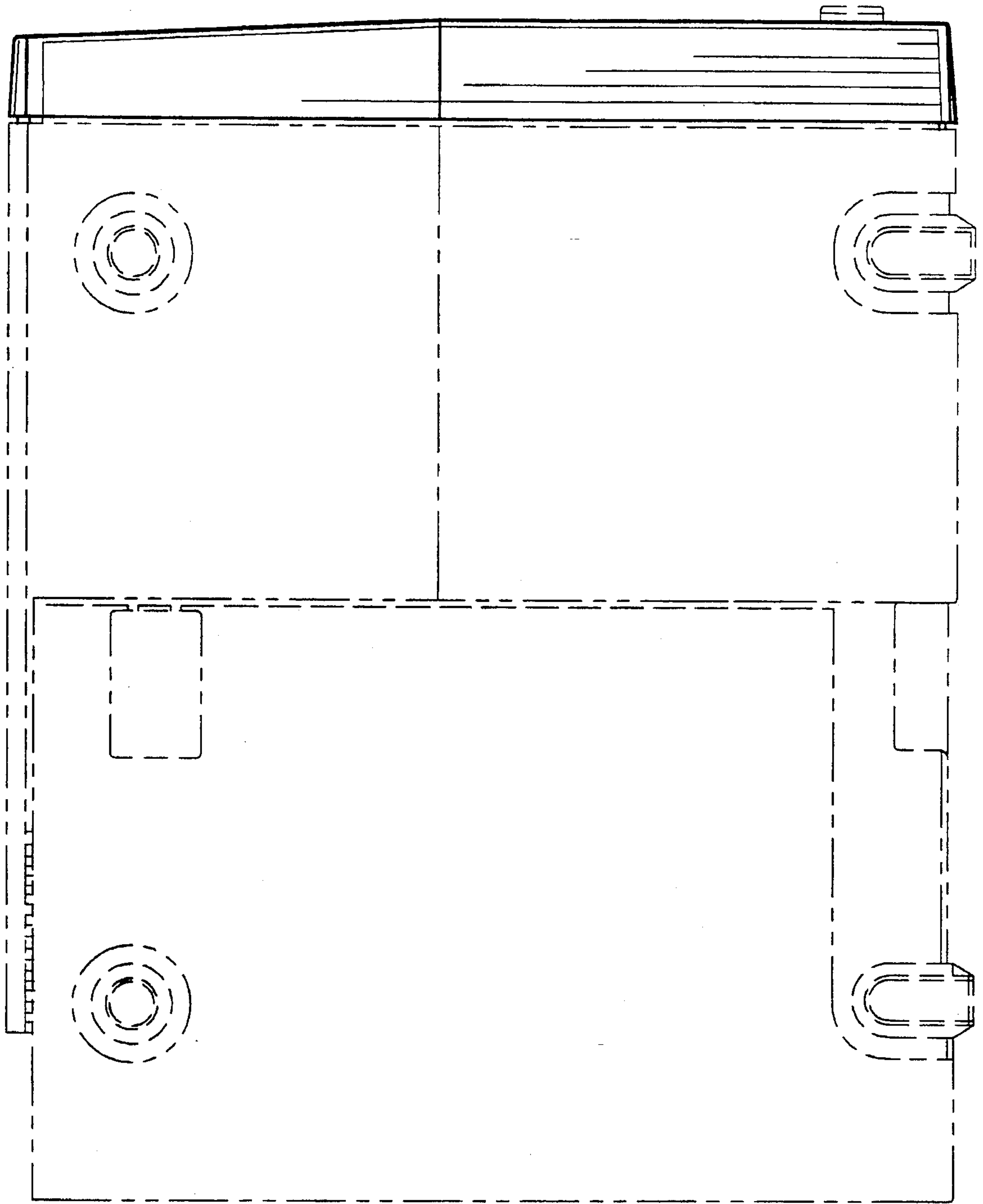


FIG. 6