



US00D375725S

United States Patent [19]

[11] Patent Number: **Des. 375,725**

Dodson

[45] Date of Patent: ****Nov. 19, 1996**

[54] COOLING DEVICE

[76] Inventor: **Douglas A. Dodson**, 5995 Avenida Encinas, Carlsbad, Calif. 92008

[**] Term: **14 Years**

[21] Appl. No.: **50,880**

[22] Filed: **Feb. 28, 1996**

[52] U.S. Cl. **D13/179**

[58] Field of Search **D13/179; 257/706, 257/707, 719, 720; 361/704, 709, 710; 174/16.3**

[56] References Cited

U.S. PATENT DOCUMENTS

D. 356,777	4/1995	Katsui et al.	D13/179
D. 357,670	4/1995	Dodson	D13/179
D. 357,900	5/1995	Katsui et al.	D13/179
5,061,822	2/1992	Takashima	361/384
5,173,819	12/1992	Takahashi et al.	360/97.03
5,251,101	10/1993	Liu	361/717
5,285,347	2/1994	Fox et al.	361/385
5,309,983	5/1994	Bailey	165/80.3

OTHER PUBLICATIONS

CPU-Cool heat sink on p. 146 of Global Computers Supplies catalog.

Primary Examiner—Joel Sincavage
Attorney, Agent, or Firm—Calif Tervo

[57] CLAIM

The ornamental design for a cooling device, as shown and described.

DESCRIPTION

FIG. 1 is a perspective view of the top of a cooling device showing my new design;

FIG. 2 is a left side elevational view thereof, the right side elevational view being a mirror image;

FIG. 3 is a front elevational view thereof, the rear view being a mirror image;

FIG. 4 is a top plan view thereof;

FIG. 5 is a bottom plan view thereof;

FIG. 6 is a perspective view of an alternate embodiment of the cooling device of FIG. 1;

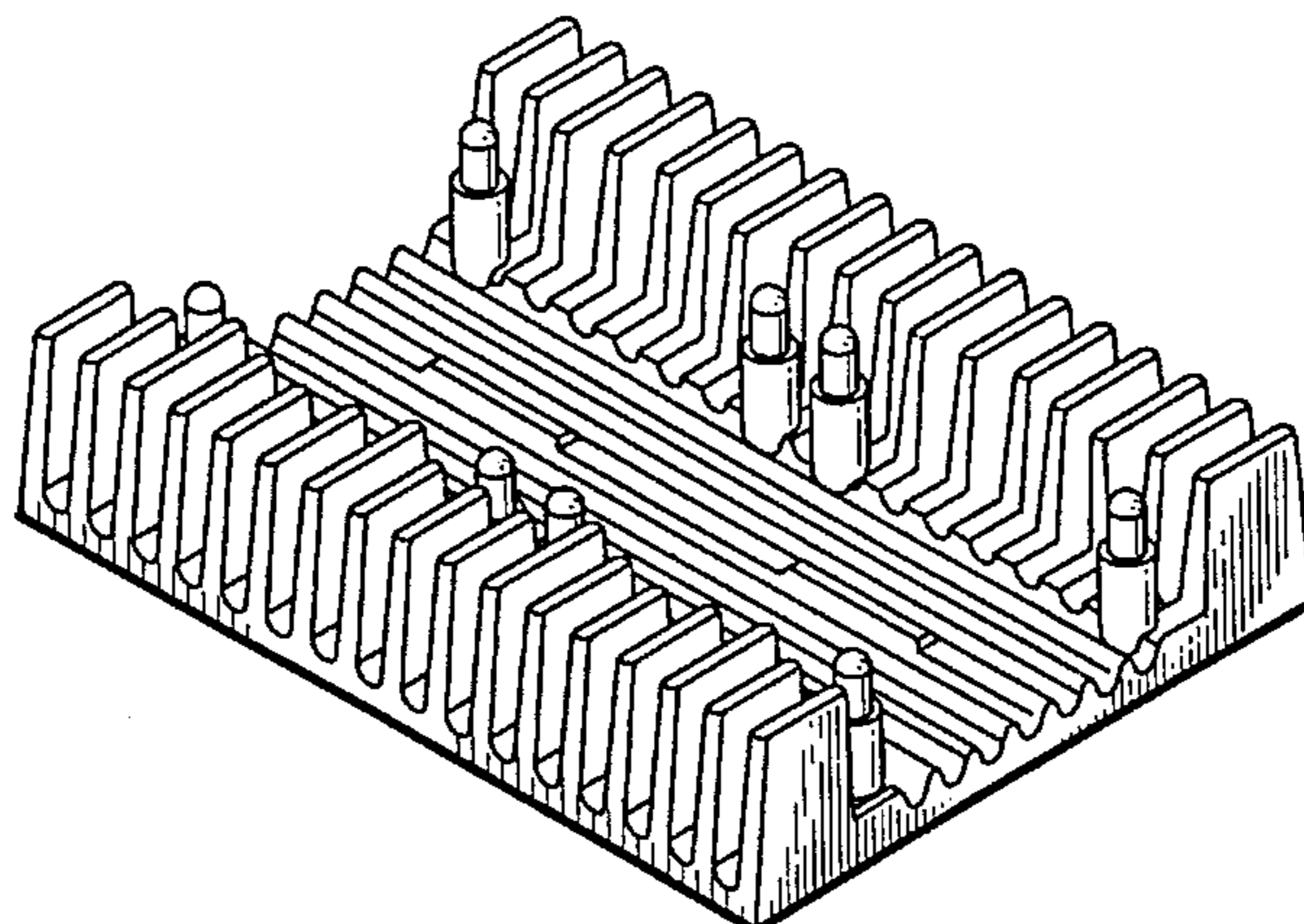
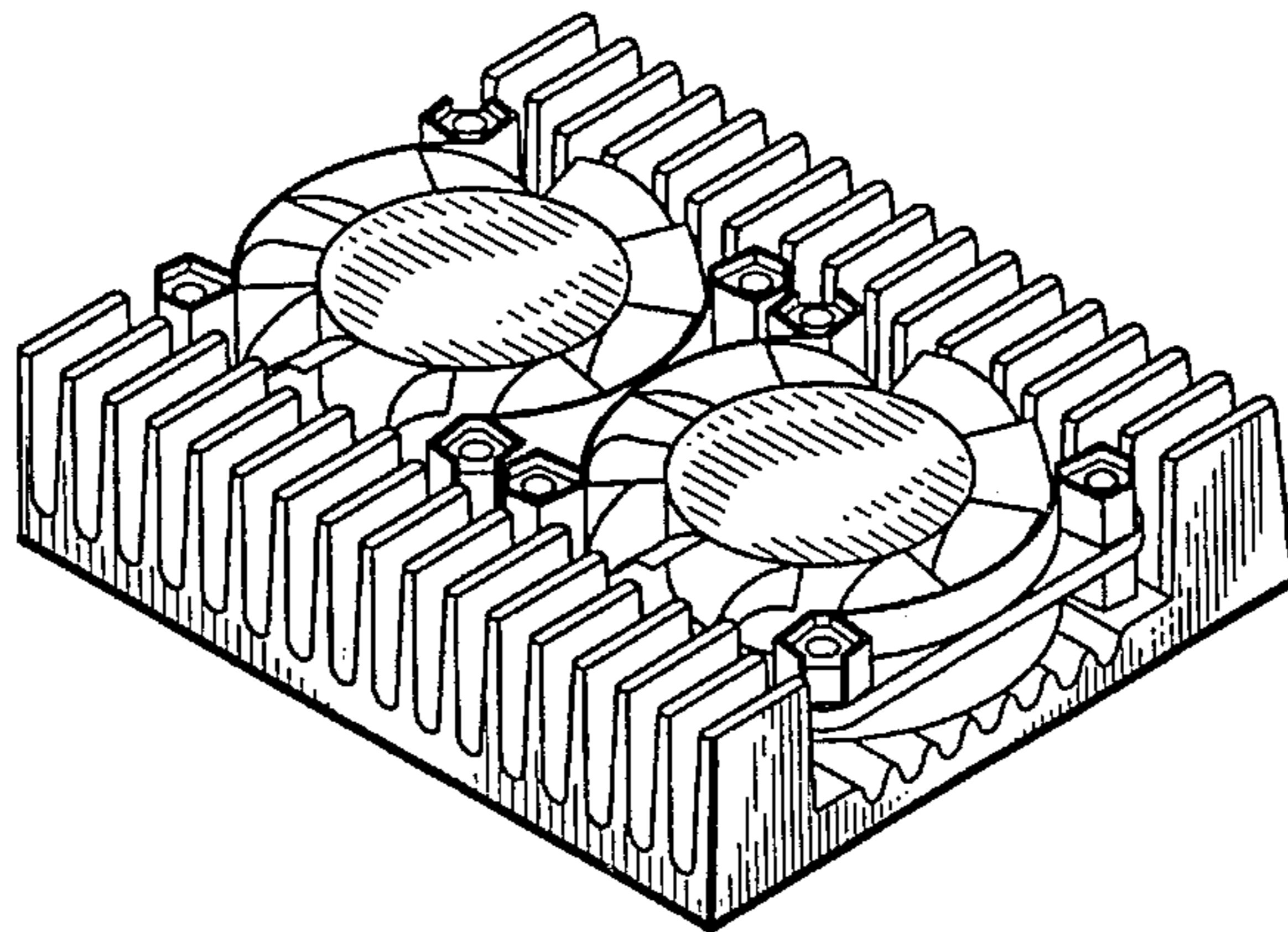
FIG. 7 is a left side elevational view thereof, the right side elevational view being a mirror image;

FIG. 8 is a front elevational view thereof, the rear view being a mirror image;

FIG. 9 is a top plan view thereof; and,

FIG. 10 is a bottom plan view thereof.

1 Claim, 2 Drawing Sheets



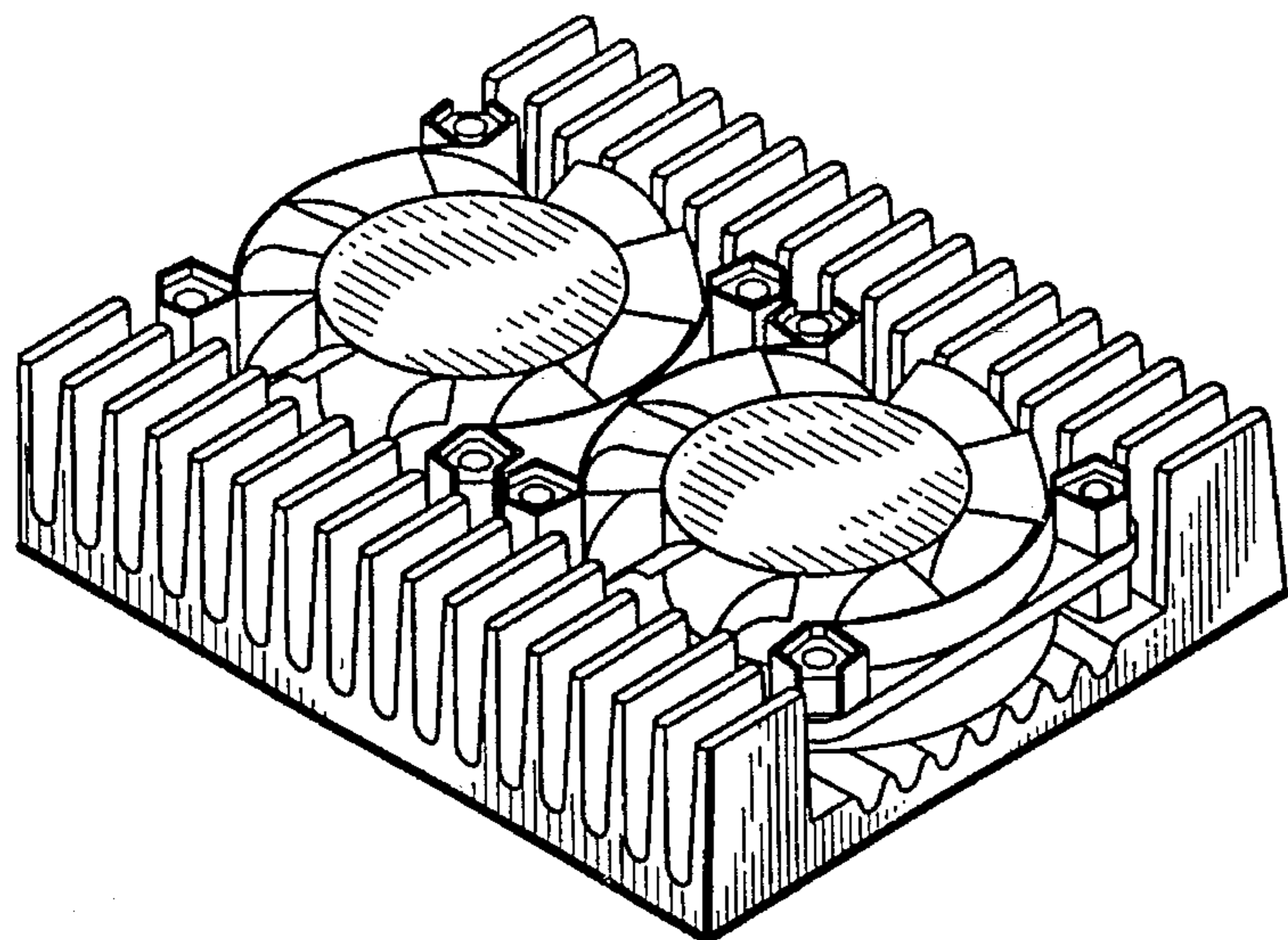


FIG. 1

FIG. 2

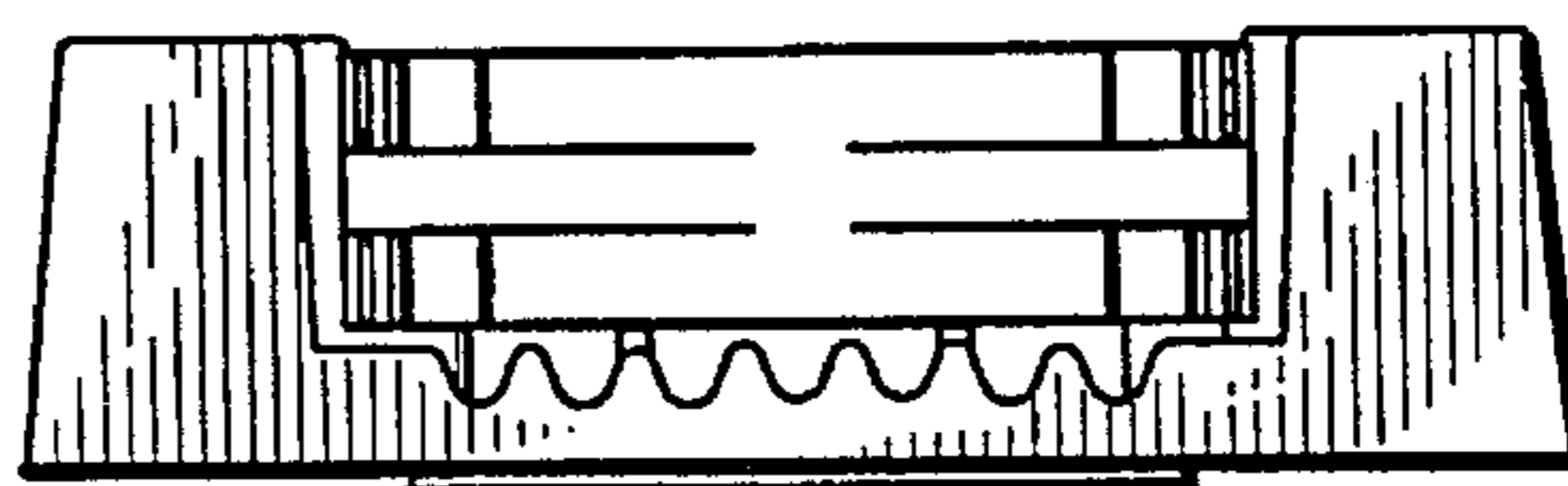
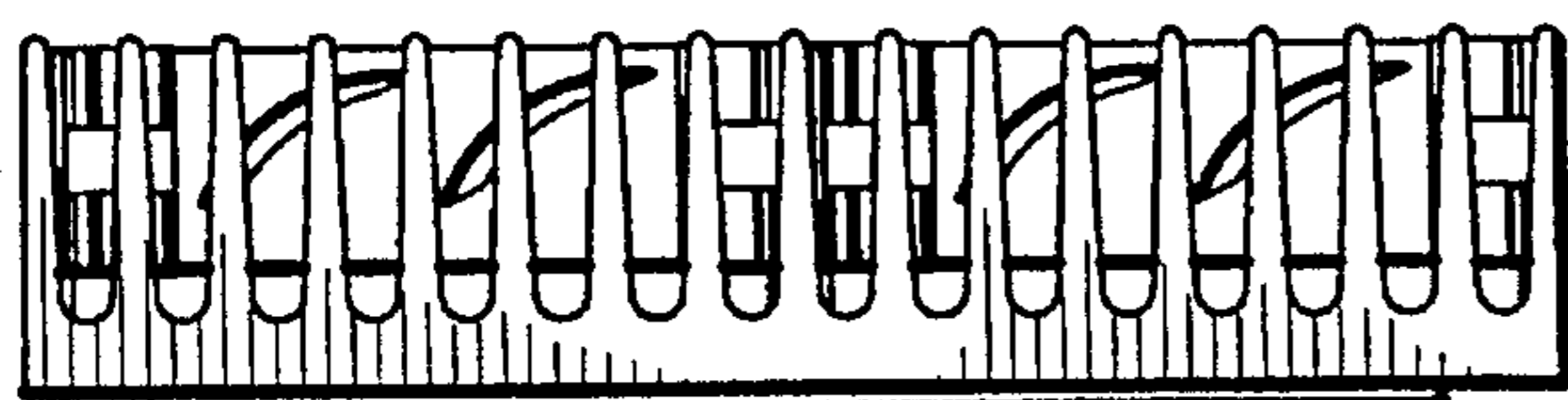


FIG. 3

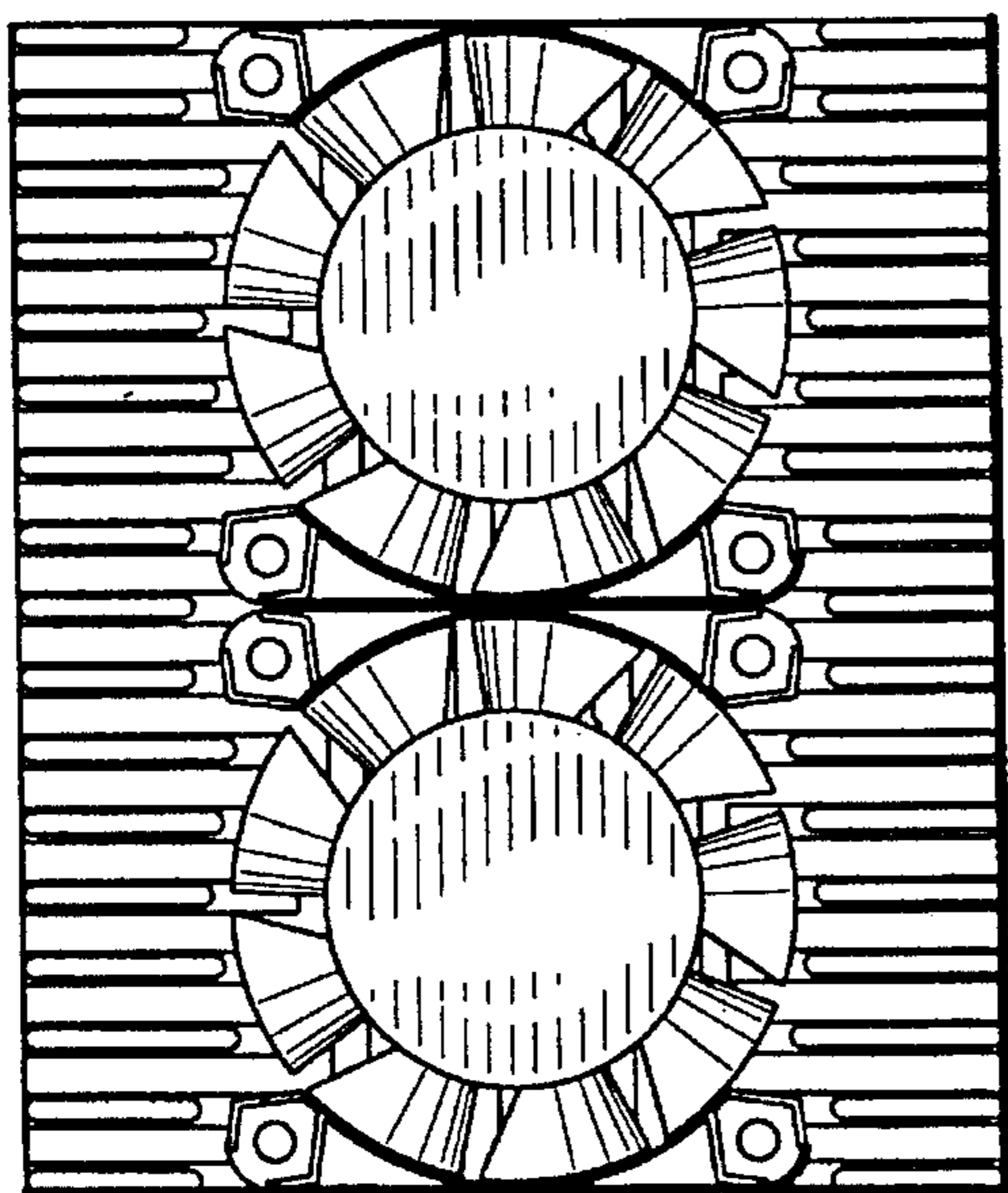


FIG. 4

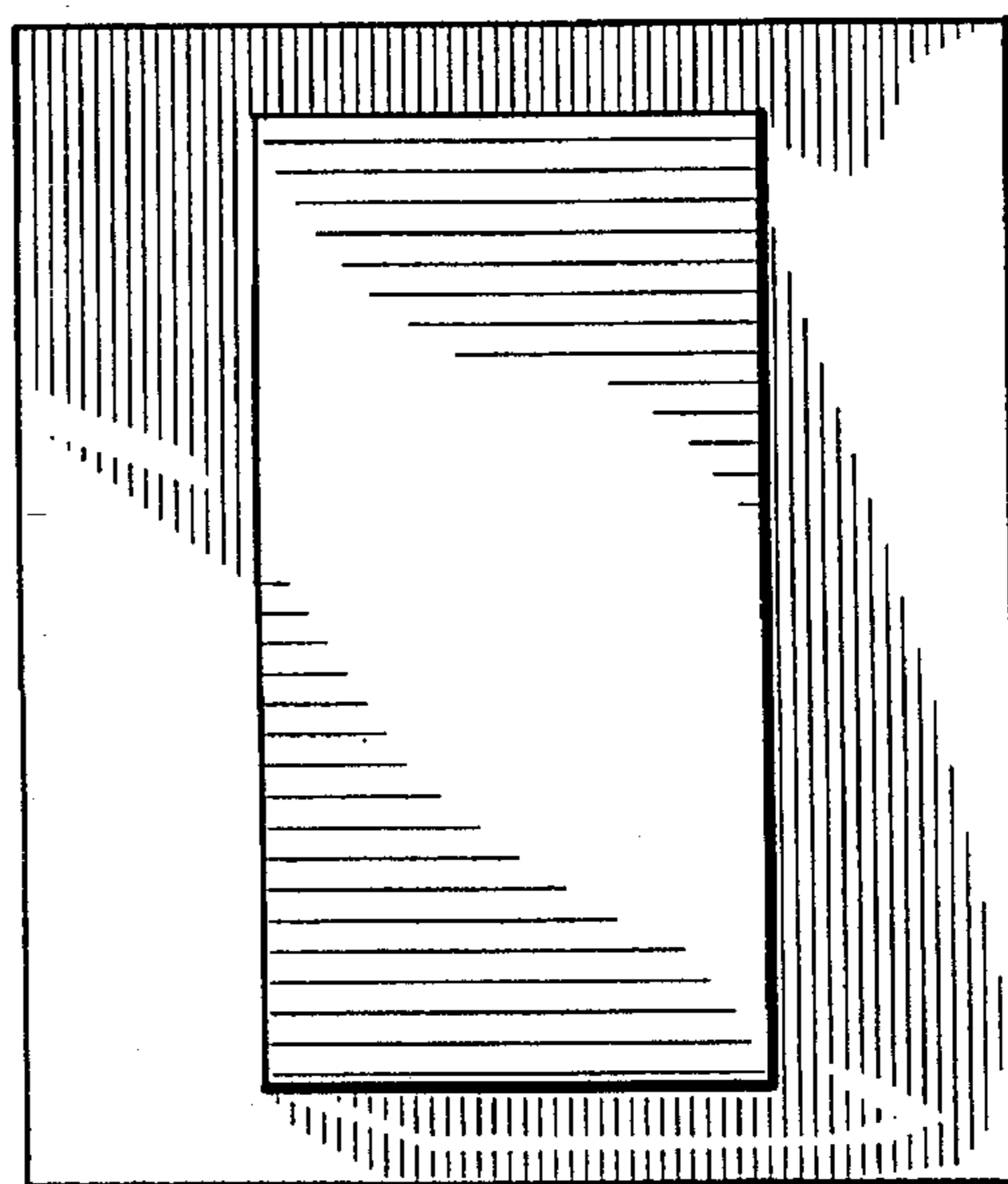


FIG. 5

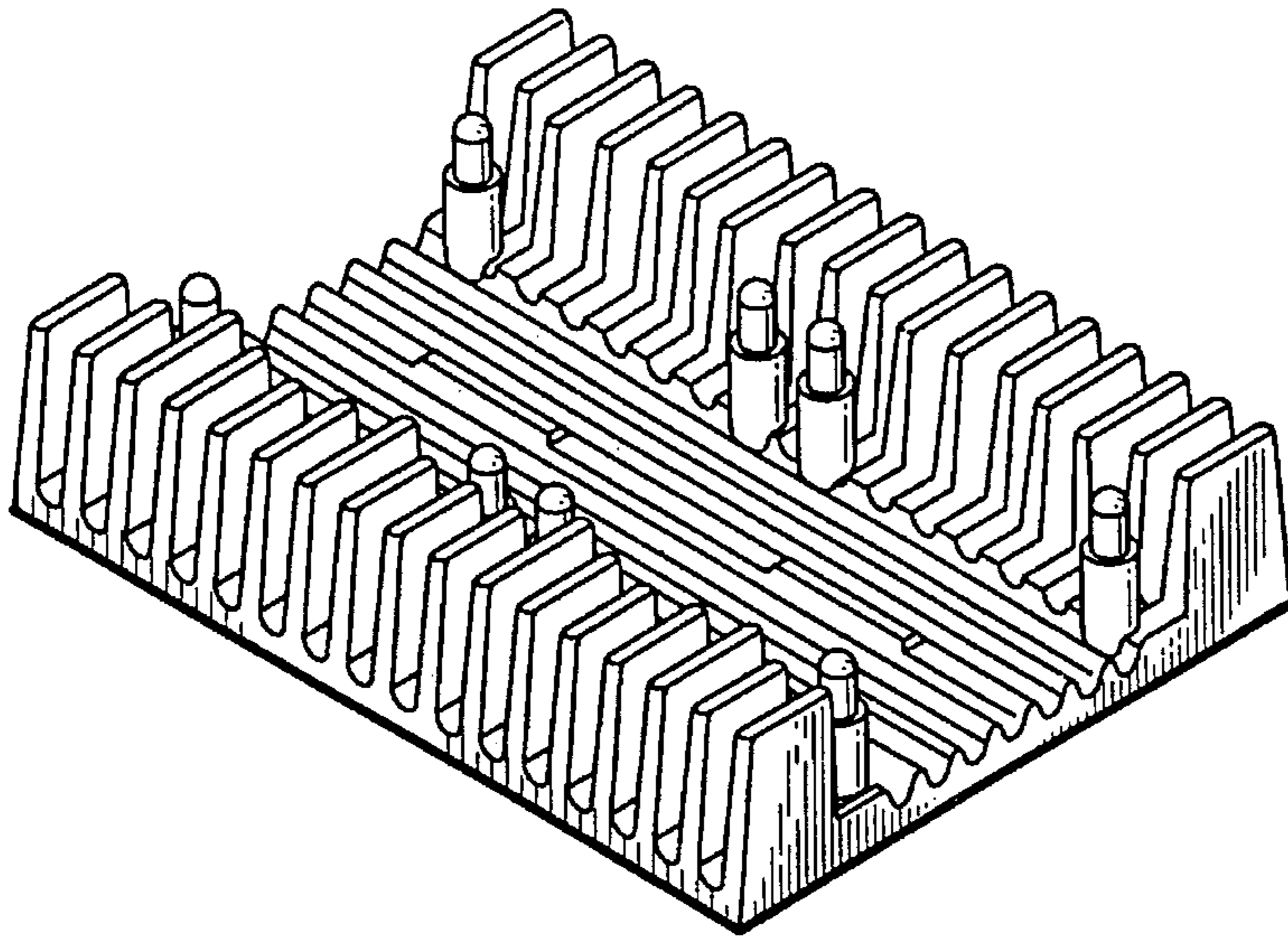


FIG. 6

FIG. 7

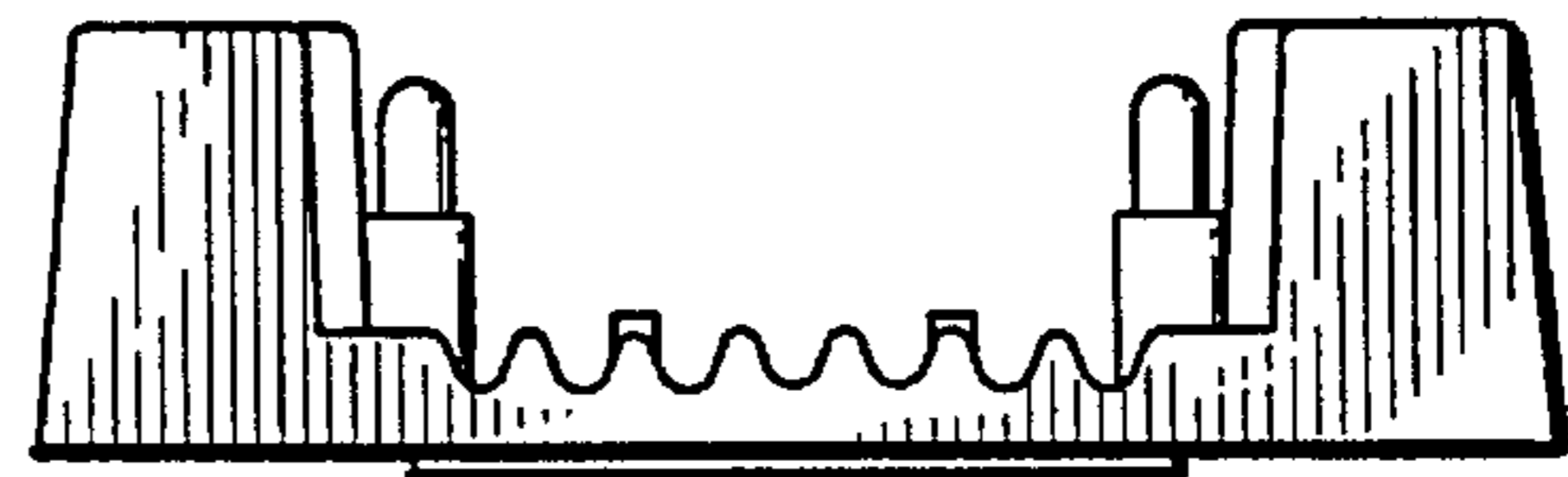
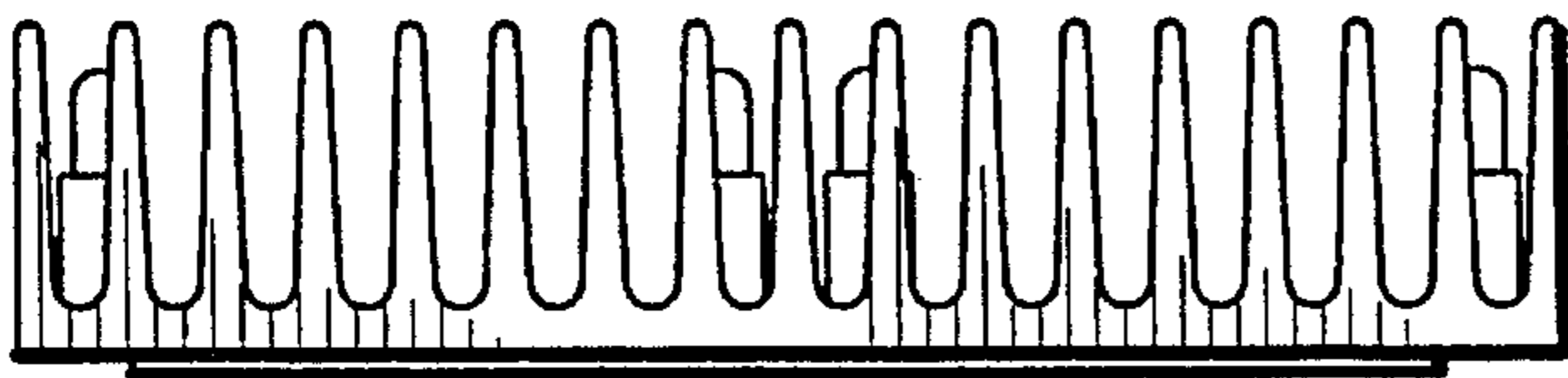


FIG. 8

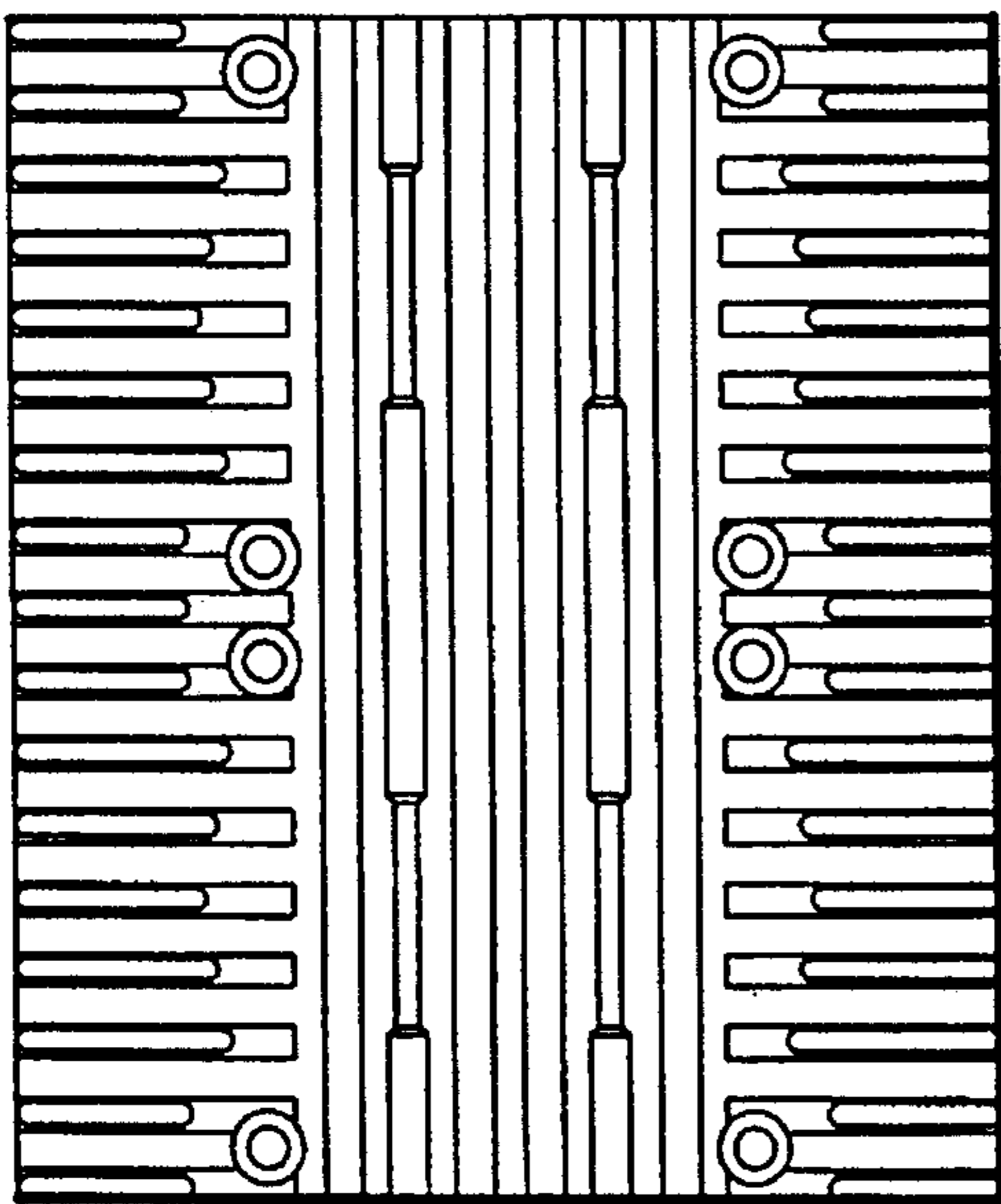


FIG. 9

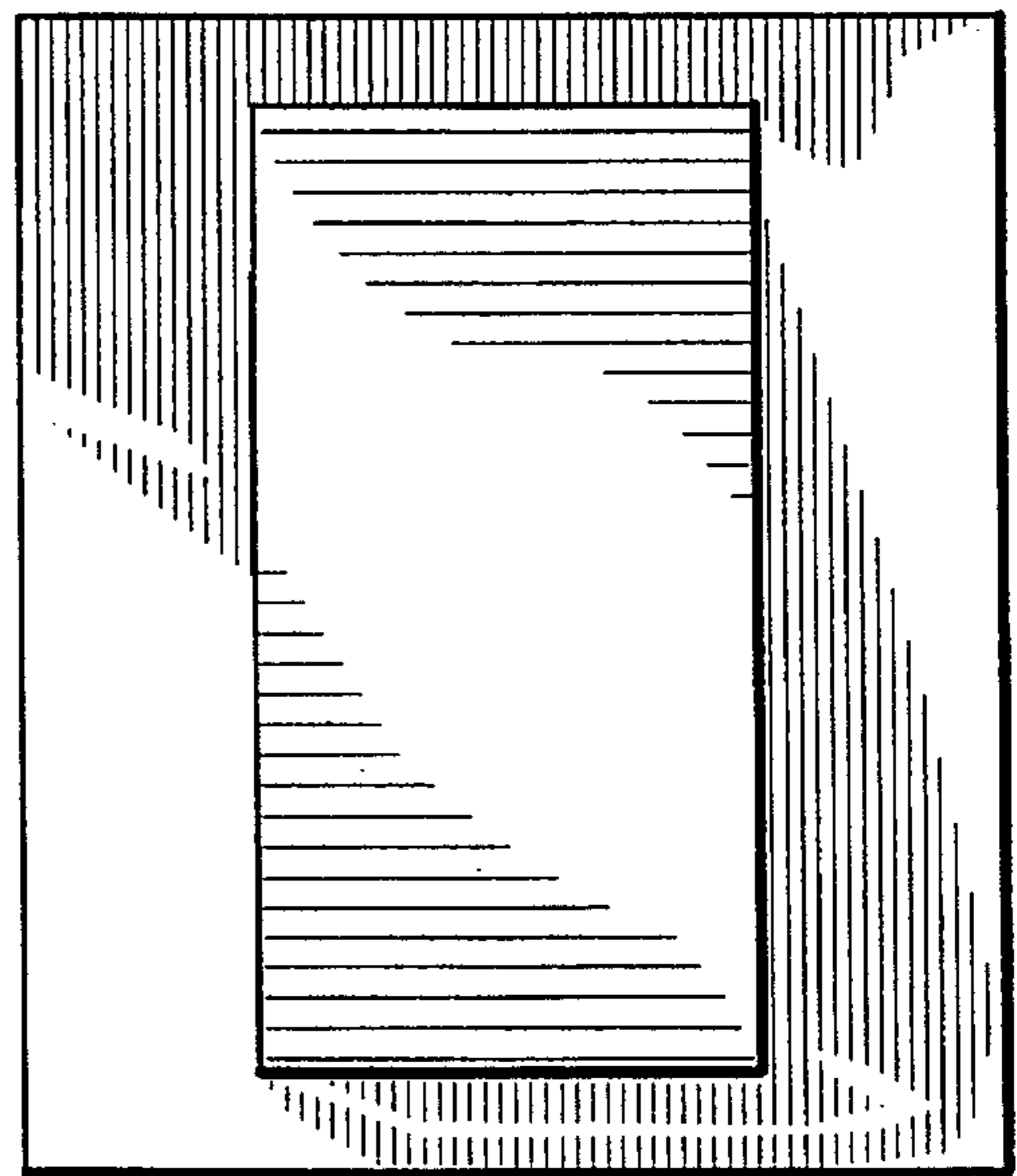


FIG. 10