



US00D375722S

United States Patent [19]

Morikawa et al.

[11] Patent Number: **Des. 375,722**

[45] Date of Patent: ****Nov. 19, 1996**

[54] **JACK FOR CABLE CONNECTOR**
[75] Inventors: **Seiichi Morikawa; Naoyuki Ono**, both of Tokyo, Japan

4,679,879 7/1987 Triner et al. 439/607 X
4,911,659 5/1990 Viselli 439/607 X
4,993,803 2/1991 Suverison et al. 439/78 X
5,035,652 7/1991 Shibano 439/610

[73] Assignees: **Sony Corporation; SMK Corporation**, both of Tokyo, Japan

Primary Examiner—Joel Sincavage
Attorney, Agent, or Firm—Nikaido, Marmelstein, Murray & Oram LLP

[**] Term: **14 Years**

[57] CLAIM

[21] Appl. No.: **44,315**

The ornamental design for jack for cable connector, as shown and described.

[22] Filed: **Sep. 22, 1995**

DESCRIPTION

[30] Foreign Application Priority Data

FIG. 1 is a perspective view of the jack for cable connector showing my new design;
FIG. 2 is a front elevational view thereof;
FIG. 3 is a rear elevational view thereof;
FIG. 4 is a top plan view thereof;
FIG. 5 is a bottom plan view thereof; and,
FIG. 6 is a right side elevational view thereof.

Mar. 29, 1995 [JP] Japan 7-8314

[52] U.S. Cl. **D13/147**

[58] Field of Search D13/147; 439/62, 439/76, 78, 82, 83, 607, 608, 609, 610

[56] References Cited

U.S. PATENT DOCUMENTS

D. 250,016 10/1978 Spencer et al. D13/147

1 Claim, 2 Drawing Sheets

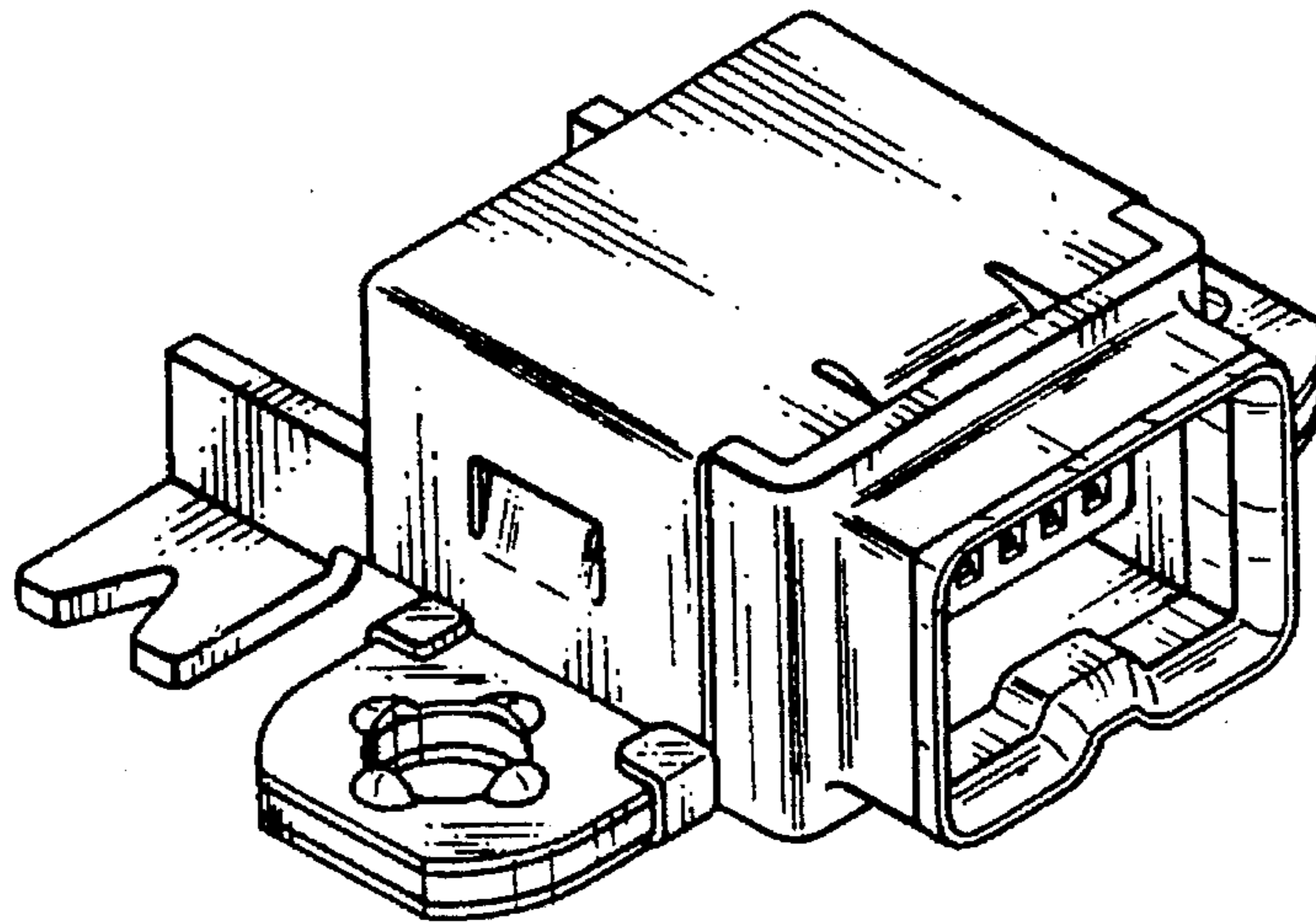


FIG. 1

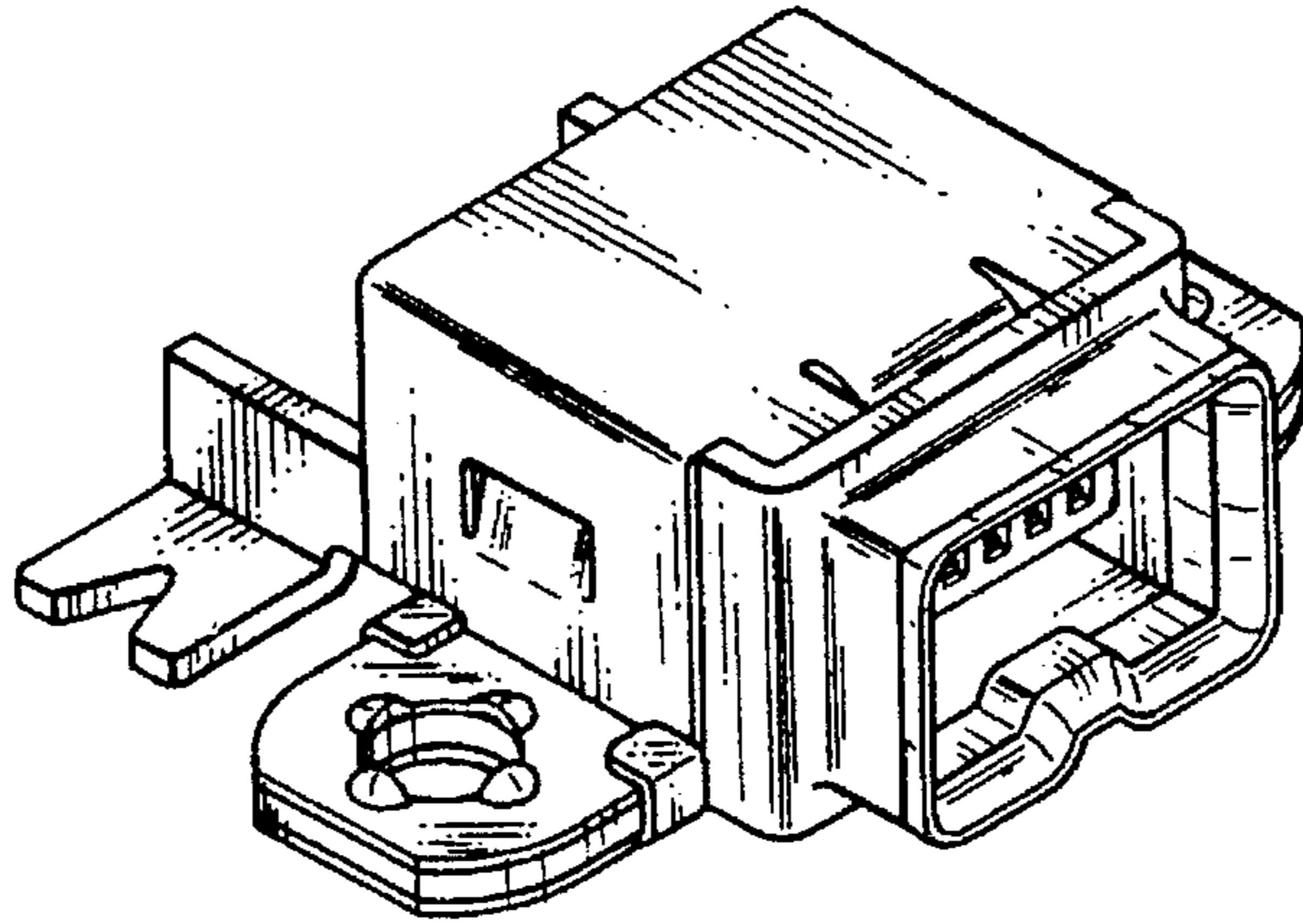


FIG. 2

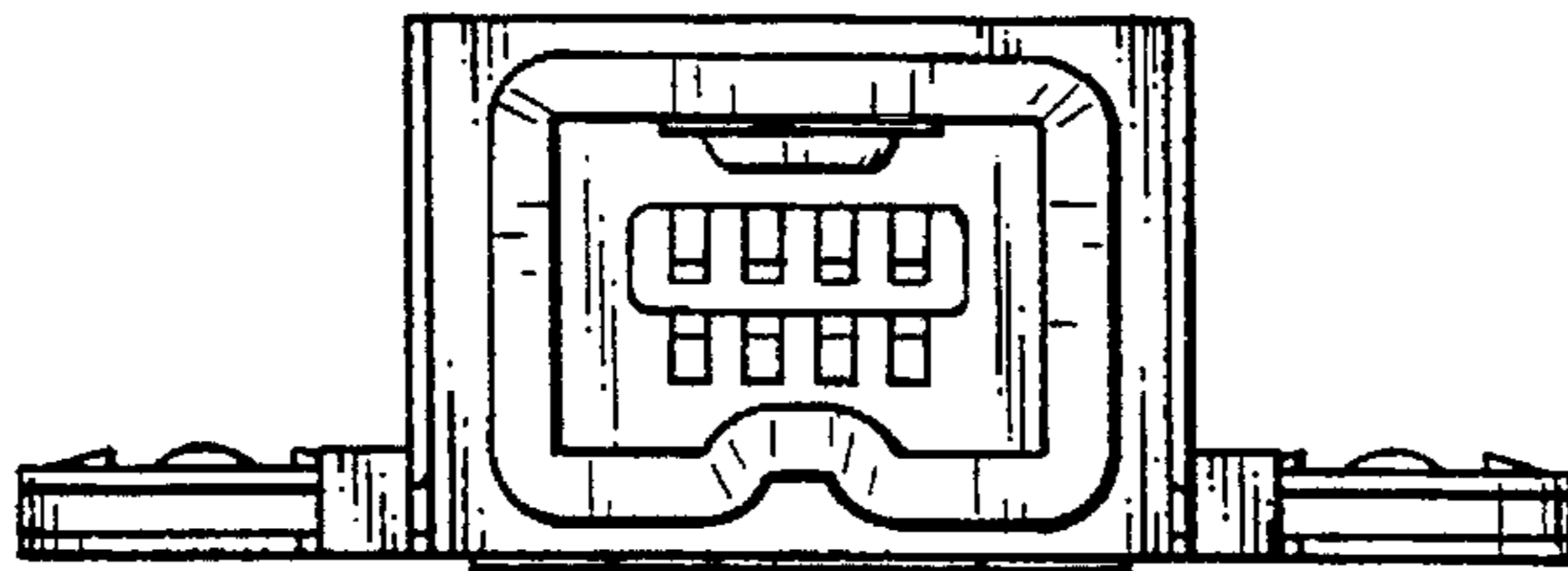


FIG. 3

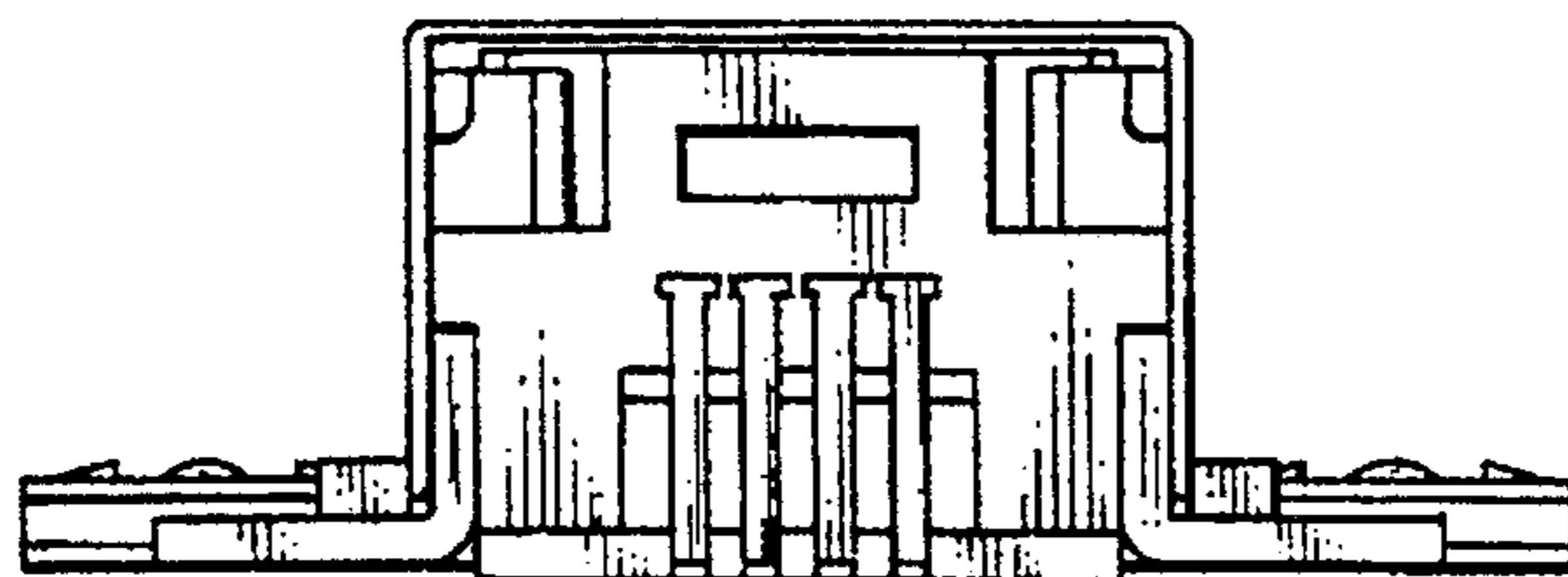


FIG. 4

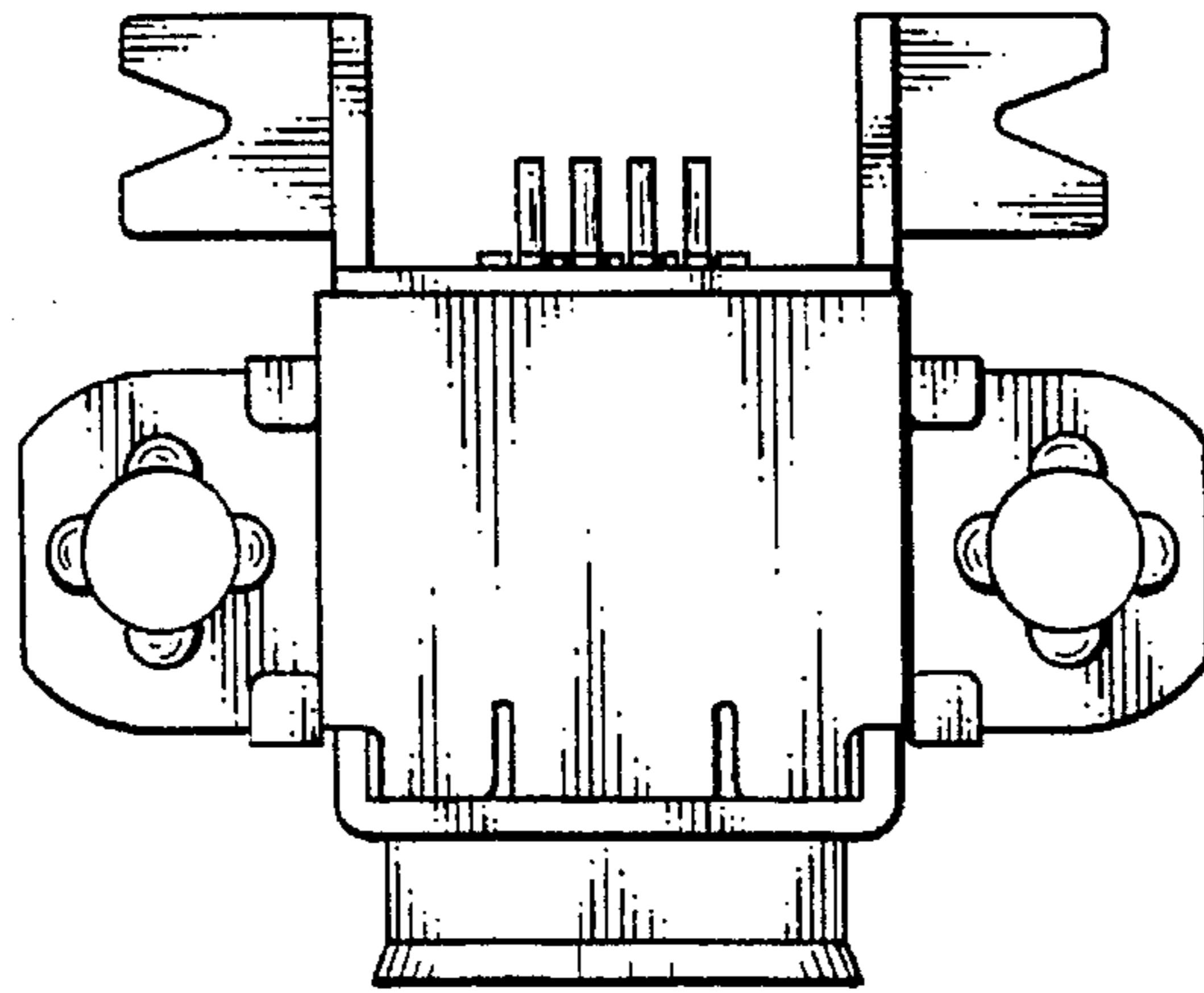


FIG. 5

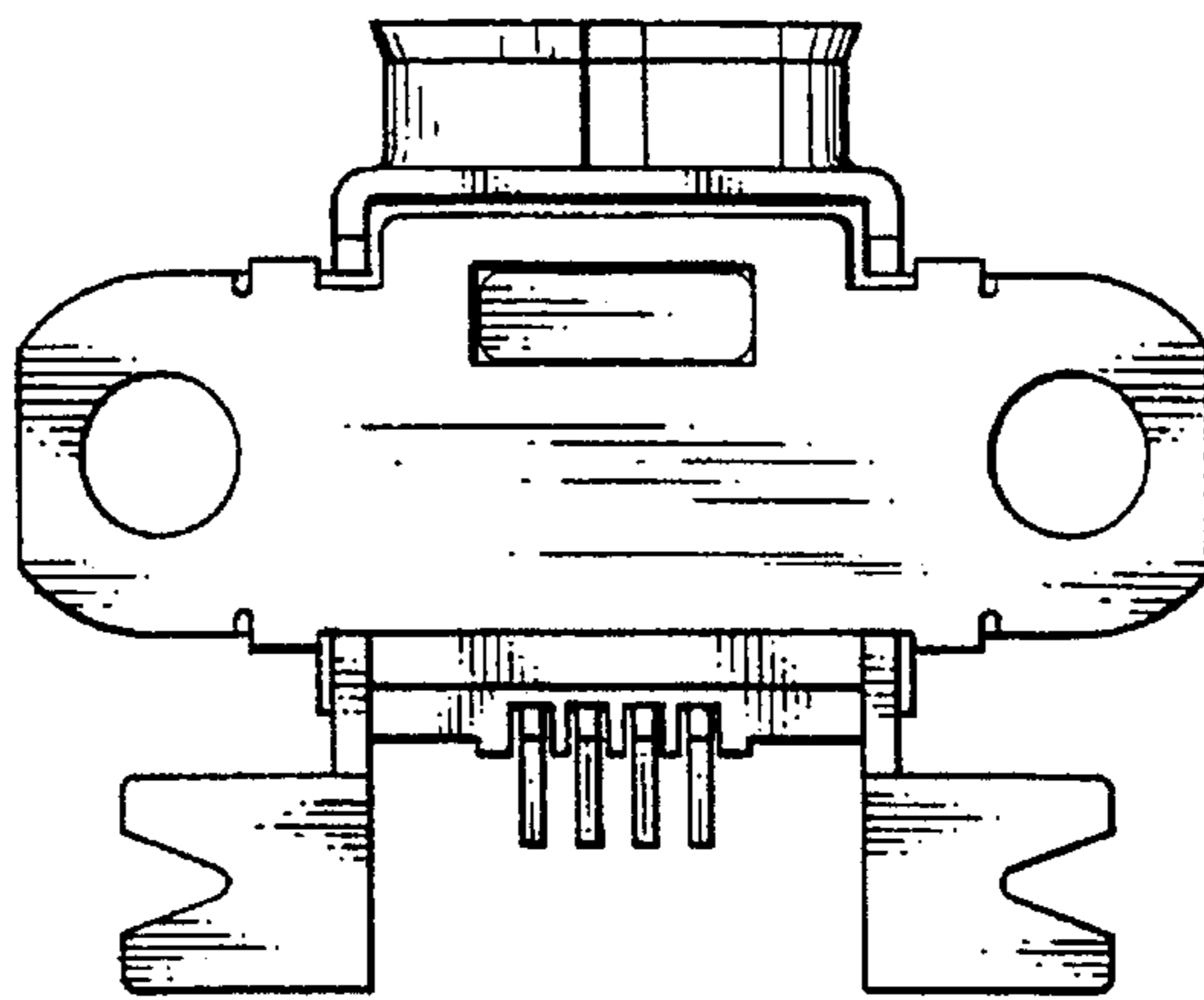


FIG. 6

