



US00D375720S

**United States Patent** [19]  
**Cheung**

[11] **Patent Number: Des. 375,720**

[45] **Date of Patent: \*\*Nov. 19, 1996**

[54] **HOUSING FOR A PIVOTING ELECTRICAL PLUG**

[75] **Inventor: Tat Kwong Cheung, Kowloon, Hong Kong**

[73] **Assignee: Koontat Development Company Ltd., Hong Kong**

[\*\*] **Term: 14 Years**

[21] **Appl. No.: 50,832**

[22] **Filed: Feb. 27, 1996**

[52] **U.S. Cl. .... D13/141; D13/138**

[58] **Field of Search .... D13/138, 141; D26/63; 439/20, 21, 484, 692, 694**

[56] **References Cited**

**U.S. PATENT DOCUMENTS**

D. 260,299	8/1981	D'Ercoli	.....	D26/63
D. 330,009	10/1992	Dickie	.....	D13/143 X
D. 362,228	9/1995	Hedrick	.....	D13/138
D. 365,083	12/1995	Hedrick	.....	D13/138
4,857,013	8/1989	Peters	.....	439/694 X
4,927,376	5/1990	Dickie	.....	439/694 X

5,399,093 3/1995 Schneider et al. .... 439/21

*Primary Examiner*—Joel Sincavage  
*Attorney, Agent, or Firm*—Samuels, Gauthier, Stevens & Reppert

[57] **CLAIM**

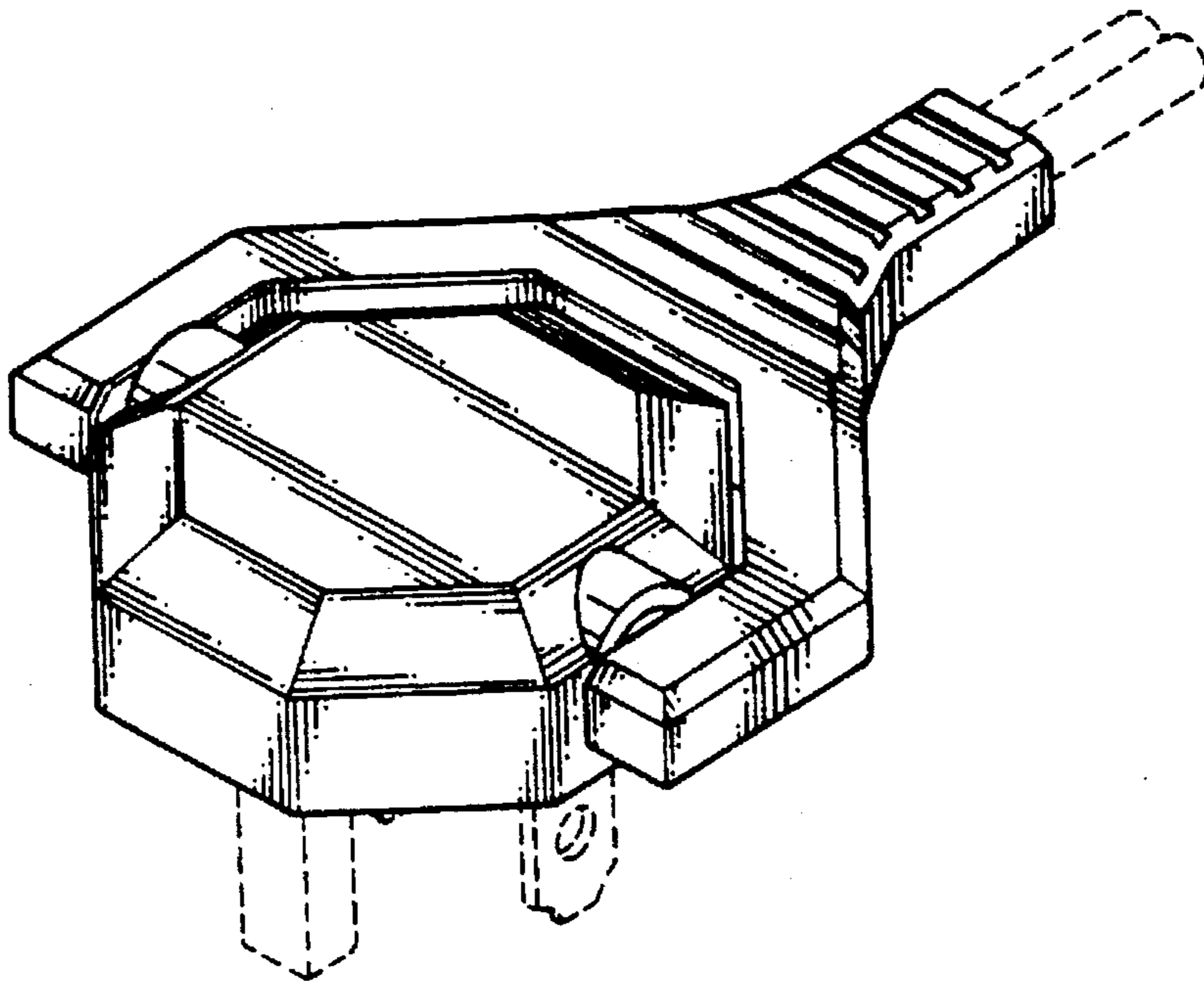
The ornamental design for a housing for a pivoting electrical plug, as shown and described.

**DESCRIPTION**

FIG. 1 is a perspective view of a housing for a pivoting electrical plug showing my new design; FIG. 2 is a perspective view with attachment body in alternative position; FIG. 3 is a front elevational view thereof; FIG. 4 is a rear elevational view thereof; FIG. 5 is a side view thereof (other side corresponds); FIG. 6 is a top plan view thereof; and, FIG. 7 is a bottom plan view thereof.

The broken line showing the electrically conductive pins and electrical wire is included for the purpose of illustrating environmental elements only and forms no part of the claimed design.

**1 Claim, 2 Drawing Sheets**



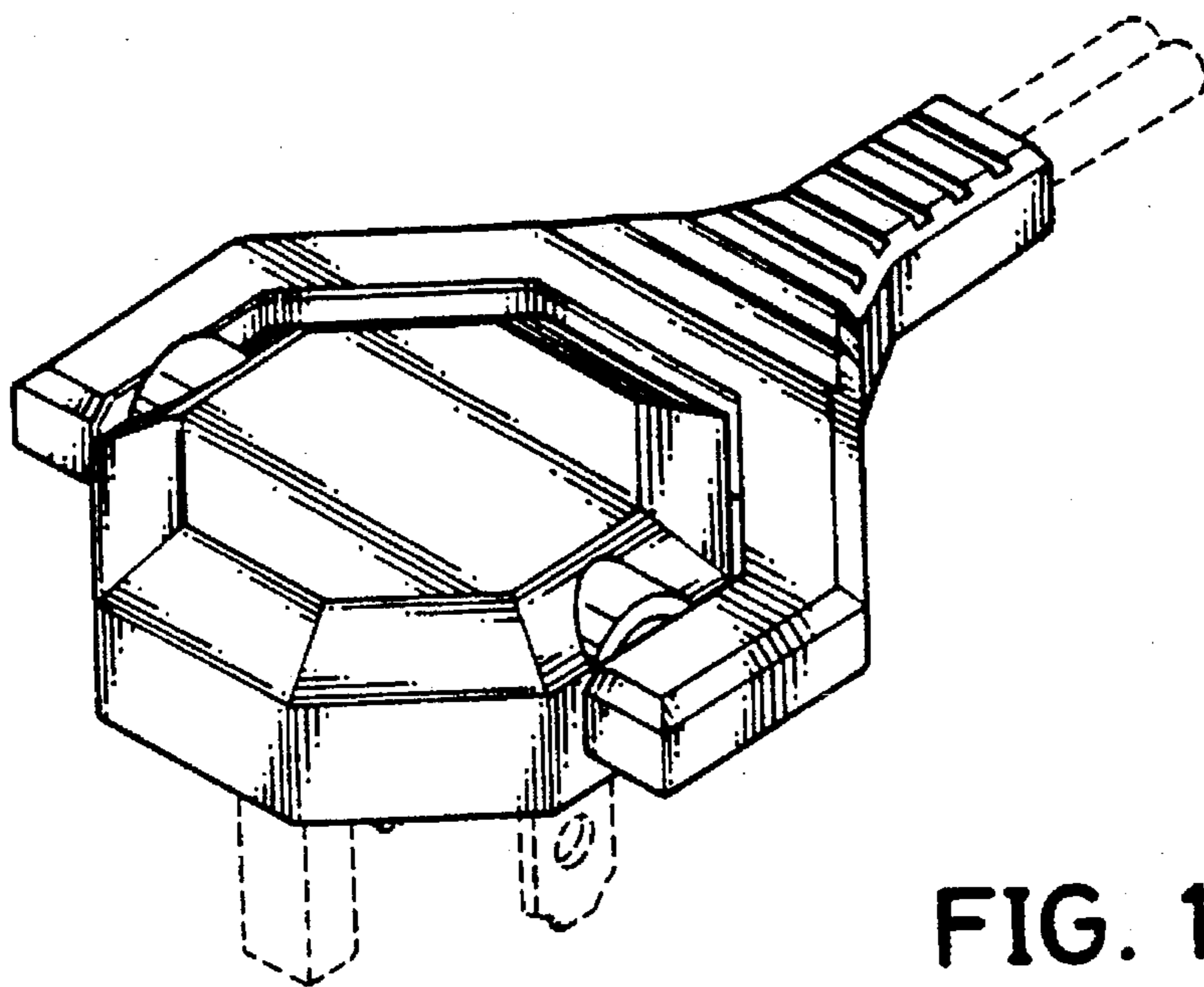


FIG. 1

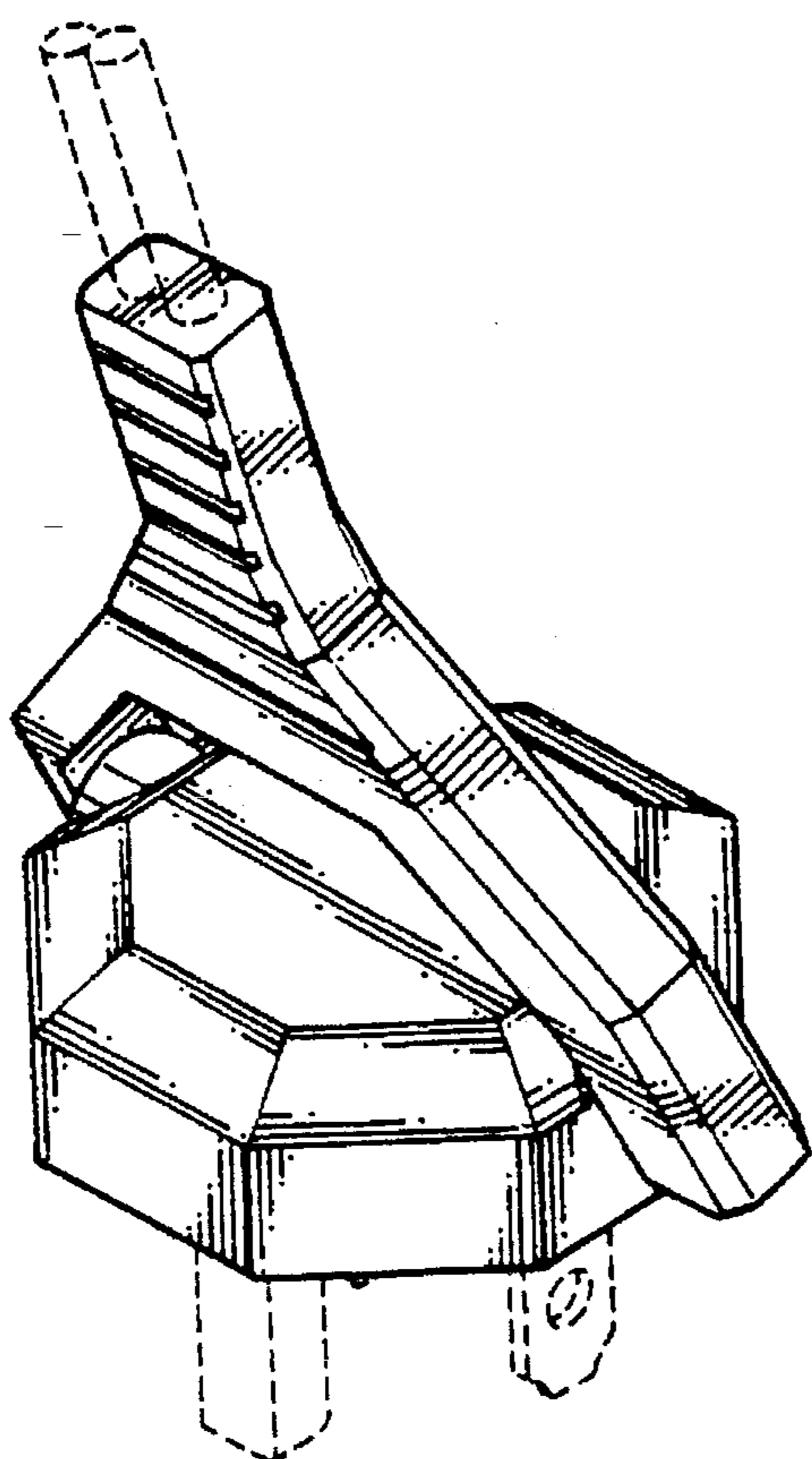


FIG. 2

FIG. 6

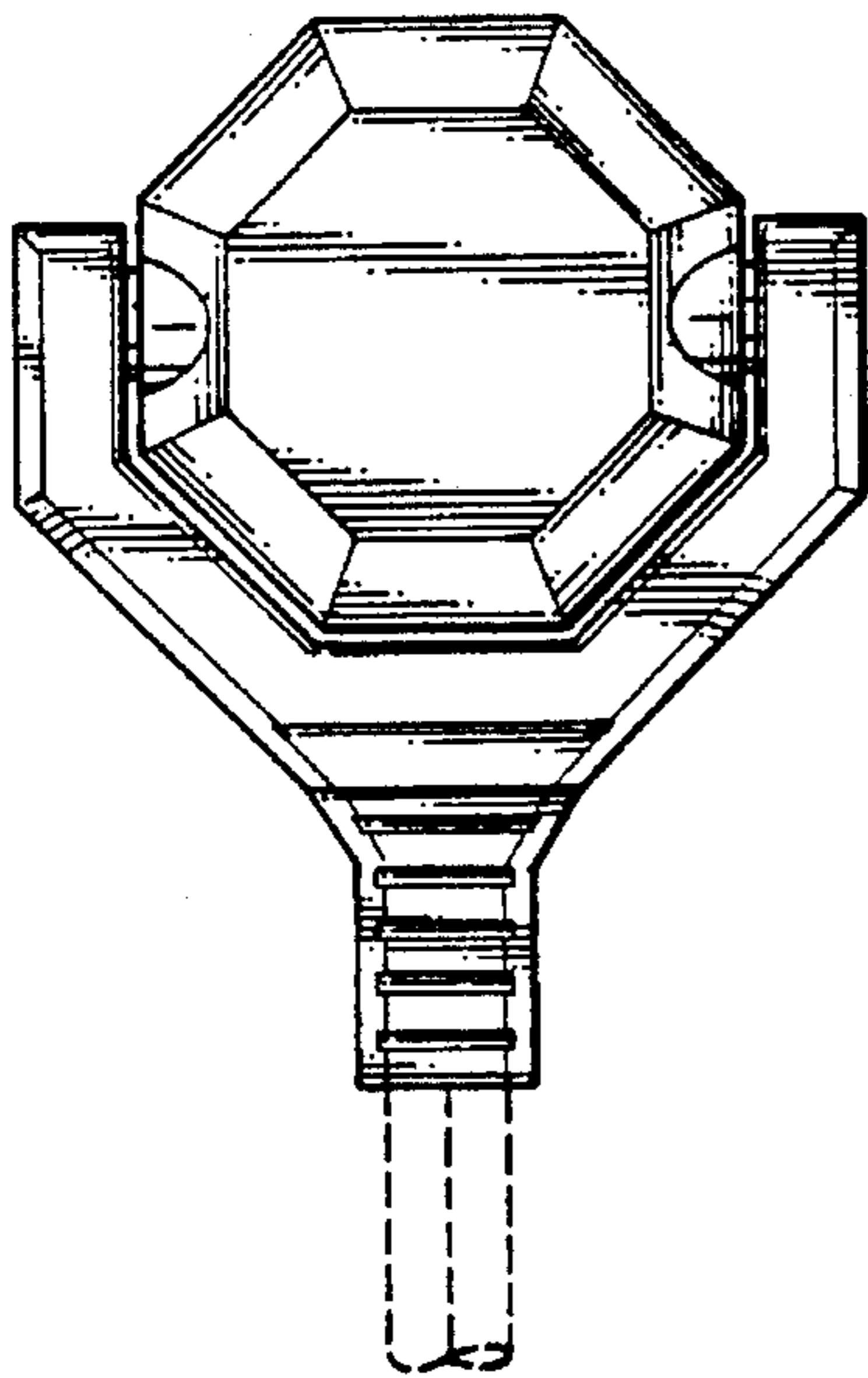
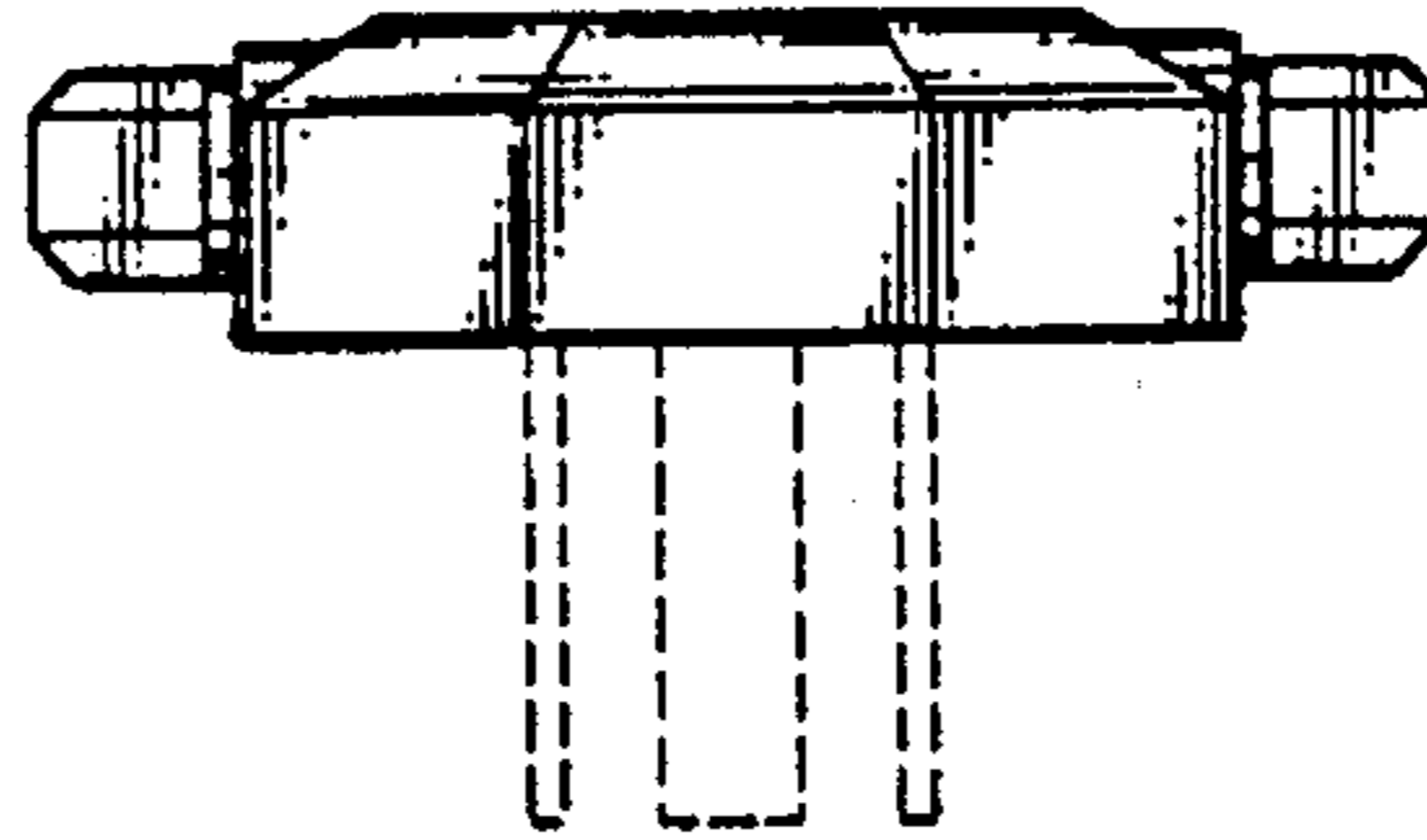


FIG. 4

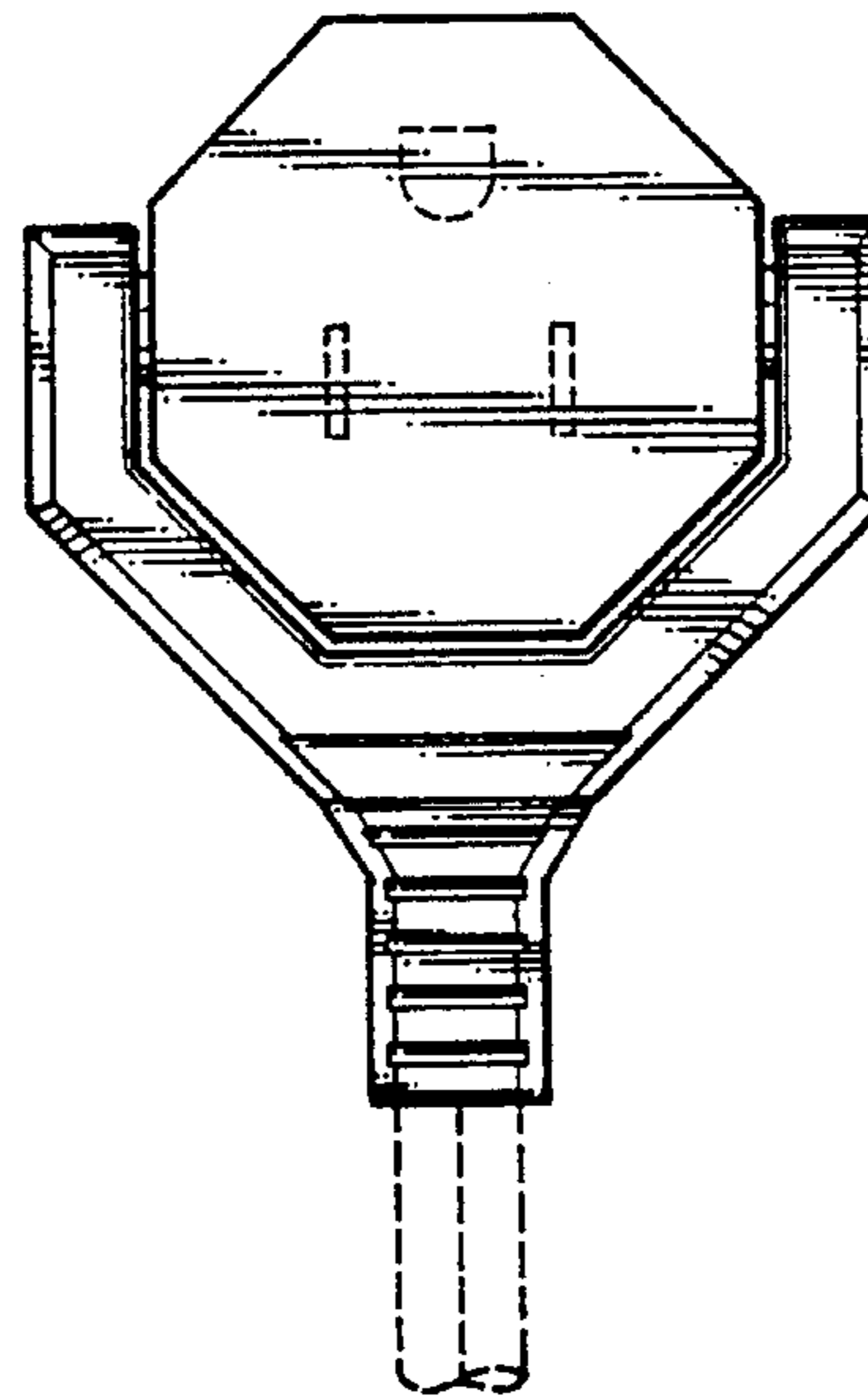


FIG. 3

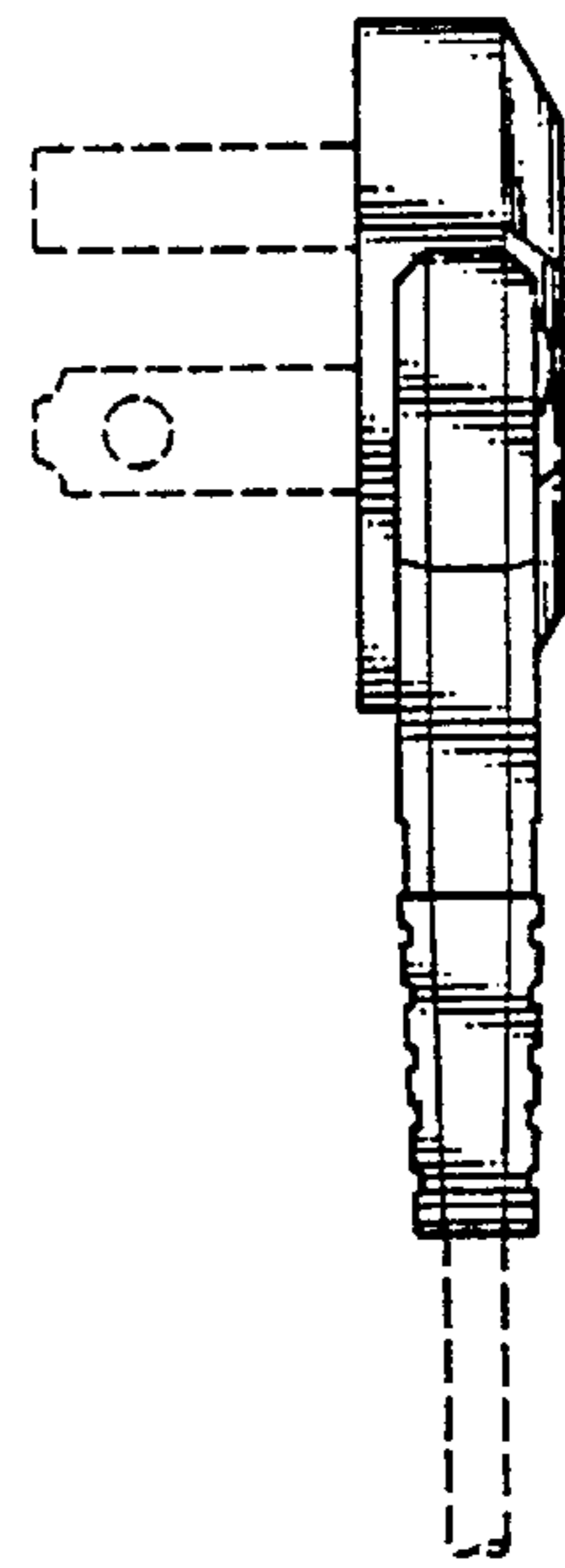


FIG. 5

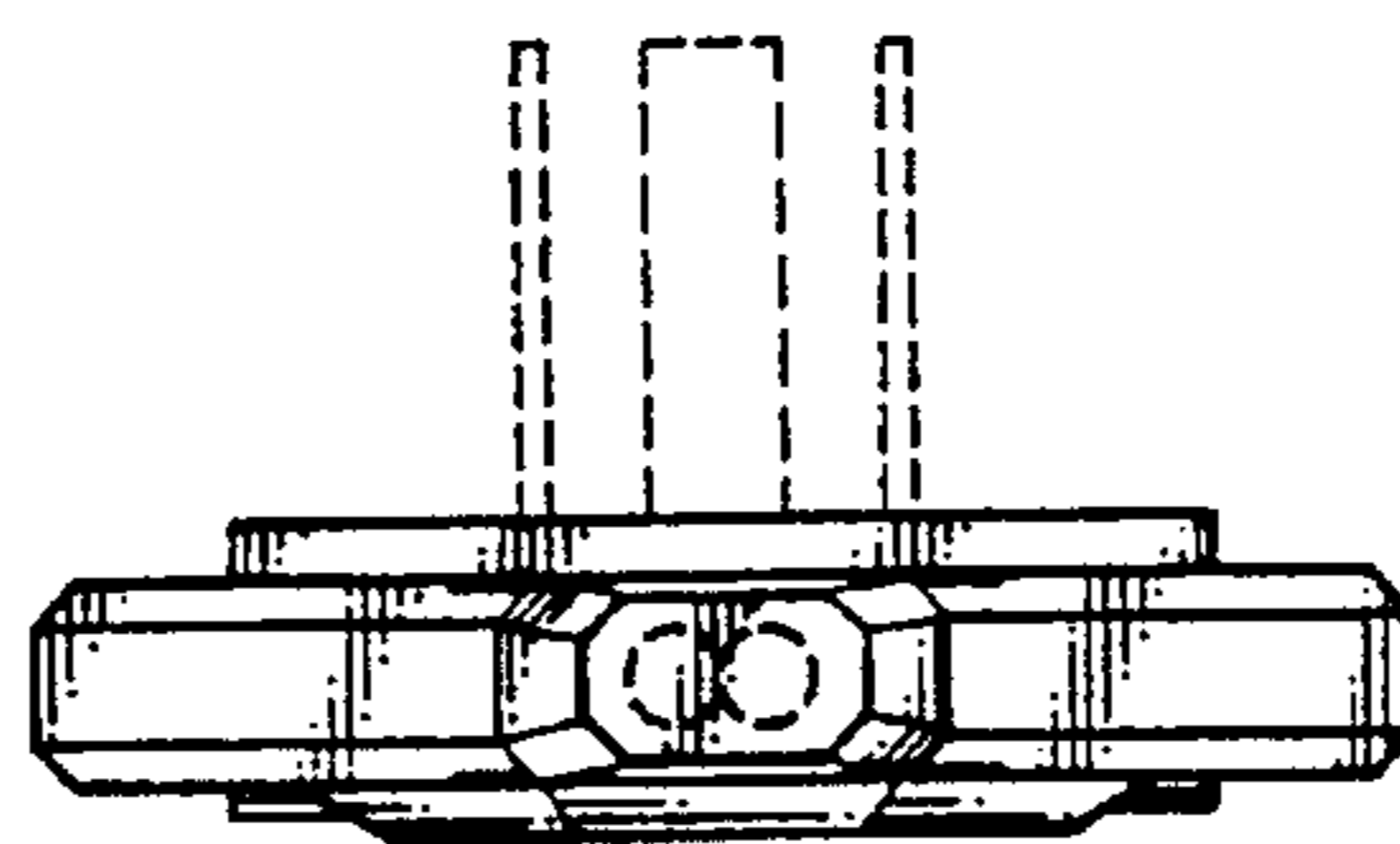


FIG. 7