



US00D375714S

United States Patent [19]
Laidley

[11] **Patent Number: Des. 375,714**

[45] **Date of Patent: **Nov. 19, 1996**

[54] **SUN SENSITIVE AUTOMOBILE VISOR**

4,858,989 8/1989 Bruckstein 296/97.2

[76] **Inventor: Victoria M. Laidley, 31 St. Paul Street,
Lindsay, Ontario, Canada, K9V 1S3**

Primary Examiner—A. Hugo Word
Assistant Examiner—Lavone D. Tabor
Attorney, Agent, or Firm—James A. Hudak

[**] **Term: 14 Years**

[57] **CLAIM**

[21] **Appl. No.: 44,554**

The ornamental design for a sun sensitive automobile visor,
as shown and described.

[22] **Filed: Sep. 26, 1995**

[52] **U.S. Cl. D12/191**

DESCRIPTION

[58] **Field of Search** D12/190, 191;
160/370.21, DIG. 2, DIG. 3; 296/97.1,
97.2, 97.7, 97.8, 97.9, 97.12

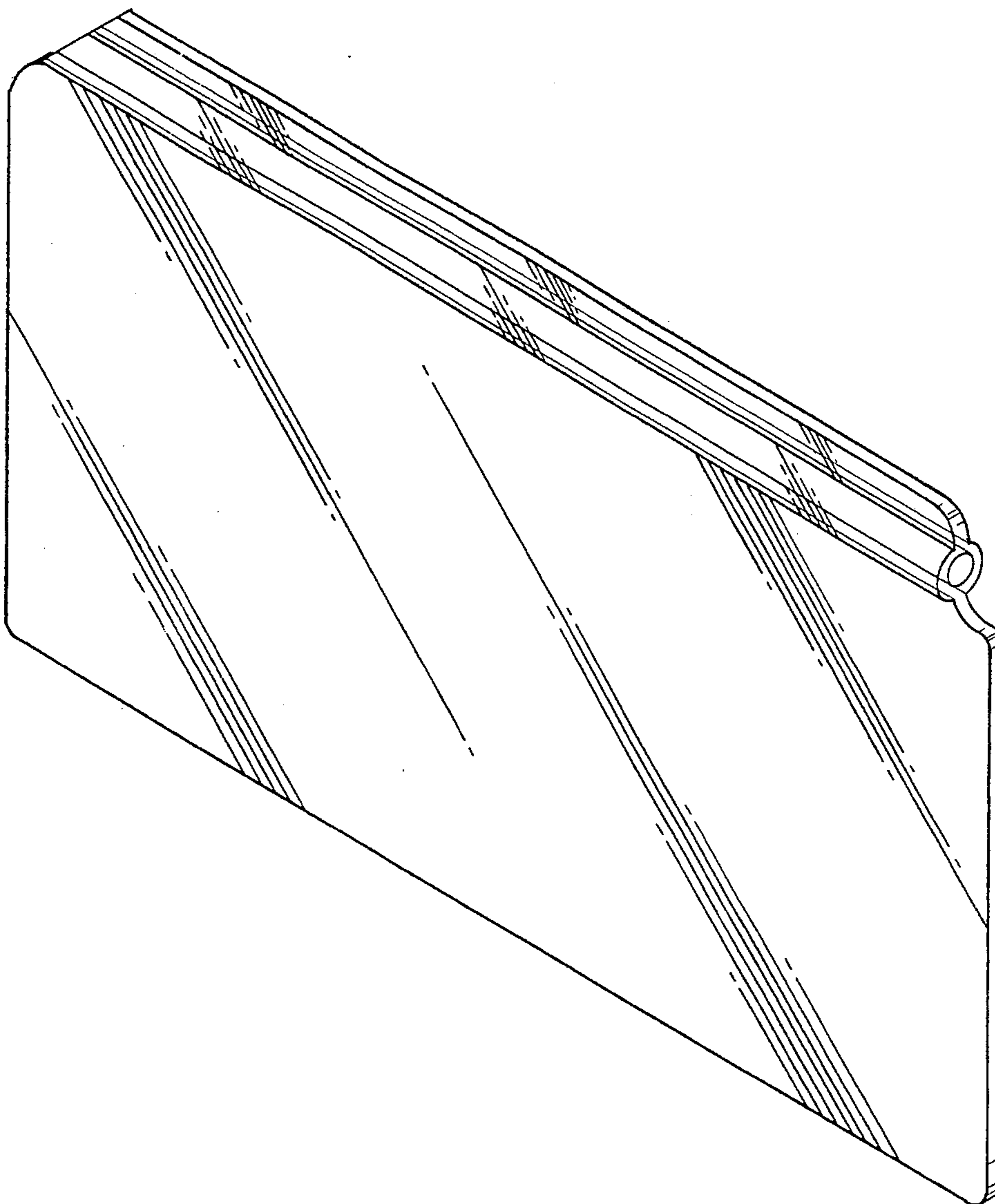
FIG. 1 is a perspective view of the sun sensitive automobile visor showing my new design;
FIG. 2 is a front elevational view thereof, the rear elevational view being a mirror image of the view shown in this Figure;
FIG. 3 is a left end elevational view thereof;
FIG. 4 is a right end elevational view thereof;
FIG. 5 is a top plan view thereof; and,
FIG. 6 is a bottom plan view thereof.

[56] **References Cited**

U.S. PATENT DOCUMENTS

2,772,916	12/1956	Jones	296/97.12
2,915,937	12/1959	Winchell	88/1
3,042,561	7/1962	Iwashita	154/2.7
4,477,116	10/1984	Viertel et al.	296/97.1

1 Claim, 2 Drawing Sheets



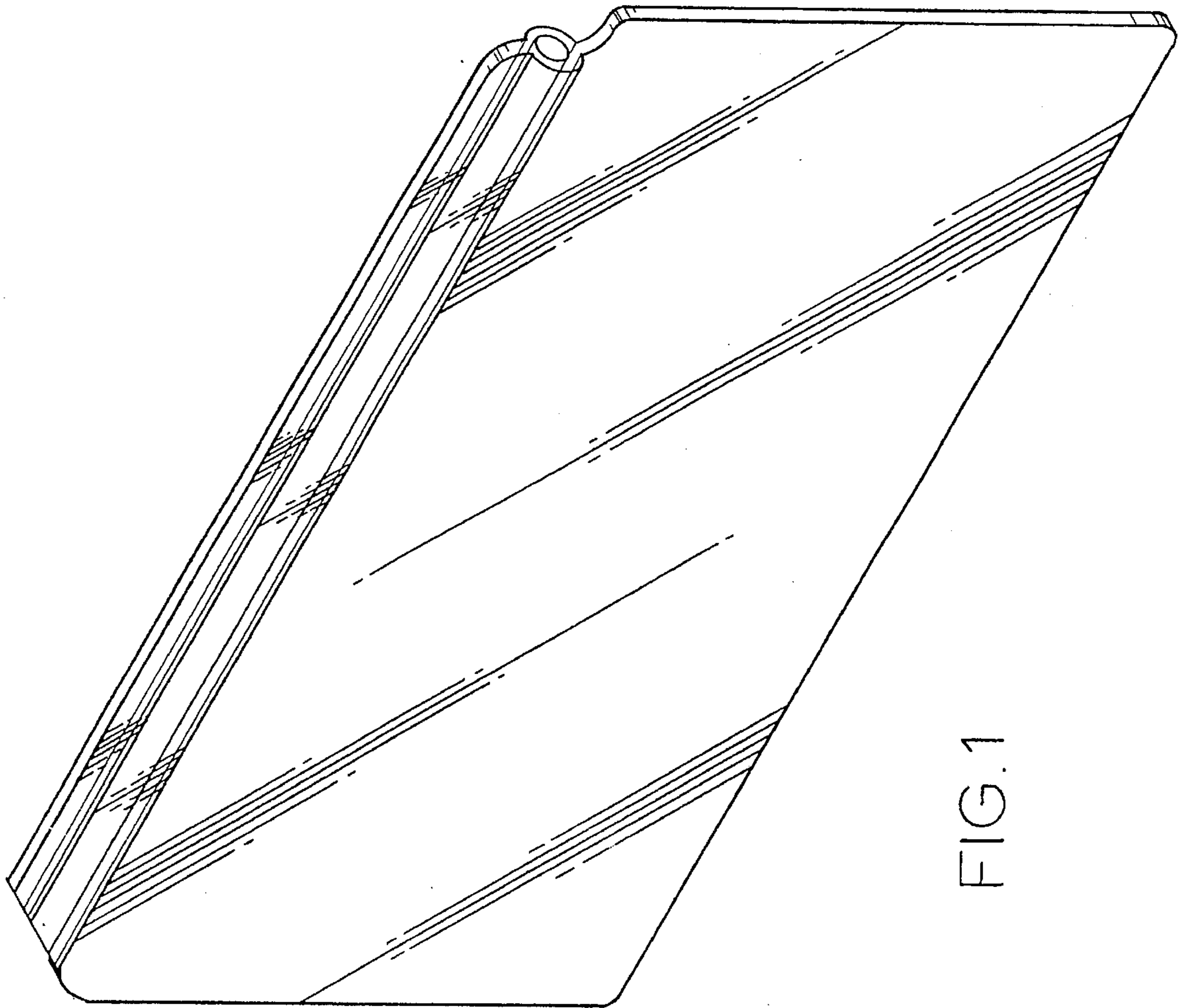


FIG. 1

FIG. 5



FIG. 6

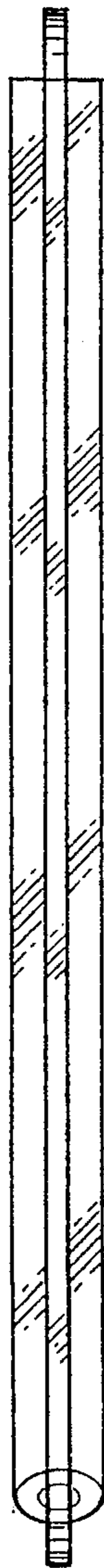


FIG. 2

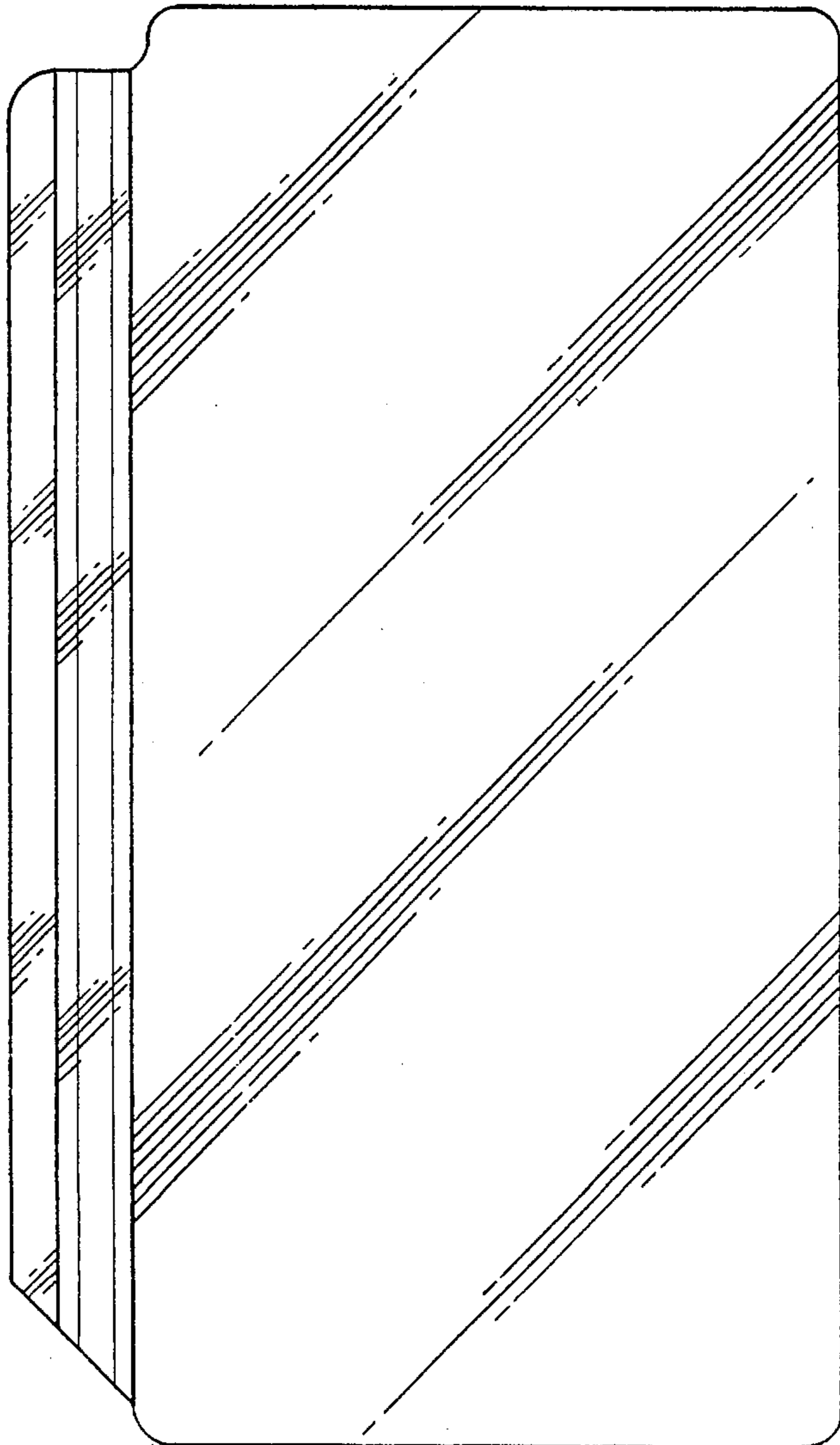


FIG. 4

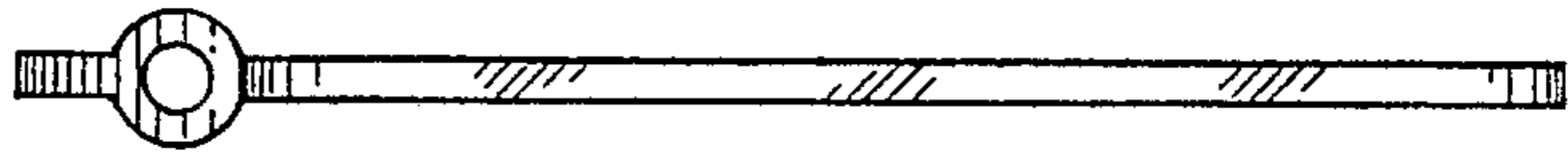


FIG. 3

