



US00D375713S

United States Patent [19]
Alamian

[11] **Patent Number: Des. 375,713**

[45] **Date of Patent: **Nov. 19, 1996**

[54] **ELECTRIC VISOR SHADE**

4,979,775 12/1990 Klose 296/97.1
5,042,866 8/1991 Cody 296/97.4

[76] Inventor: **Sarkis Alamian**, 2238 Barton La., Apt.
6, Montrose, Calif. 91020

Primary Examiner—A. Hugo Word
Assistant Examiner—Lavone D. Tabor
Attorney, Agent, or Firm—James A. Hudak

[**] Term: **14 Years**

[57] **CLAIM**

[21] Appl. No.: **42,546**

The ornamental design for an electric visor shade, as shown and described.

[22] Filed: **Aug. 11, 1995**

[52] U.S. Cl. **D12/191; D12/401**

[58] **Field of Search** D12/183, 190,
D12/191, 401; 150/166; 160/370.21, 370.22,
DIG. 2, DIG. 3; 296/95.1, 97.1, 97.2, 97.4,
97.7-97.9

DESCRIPTION

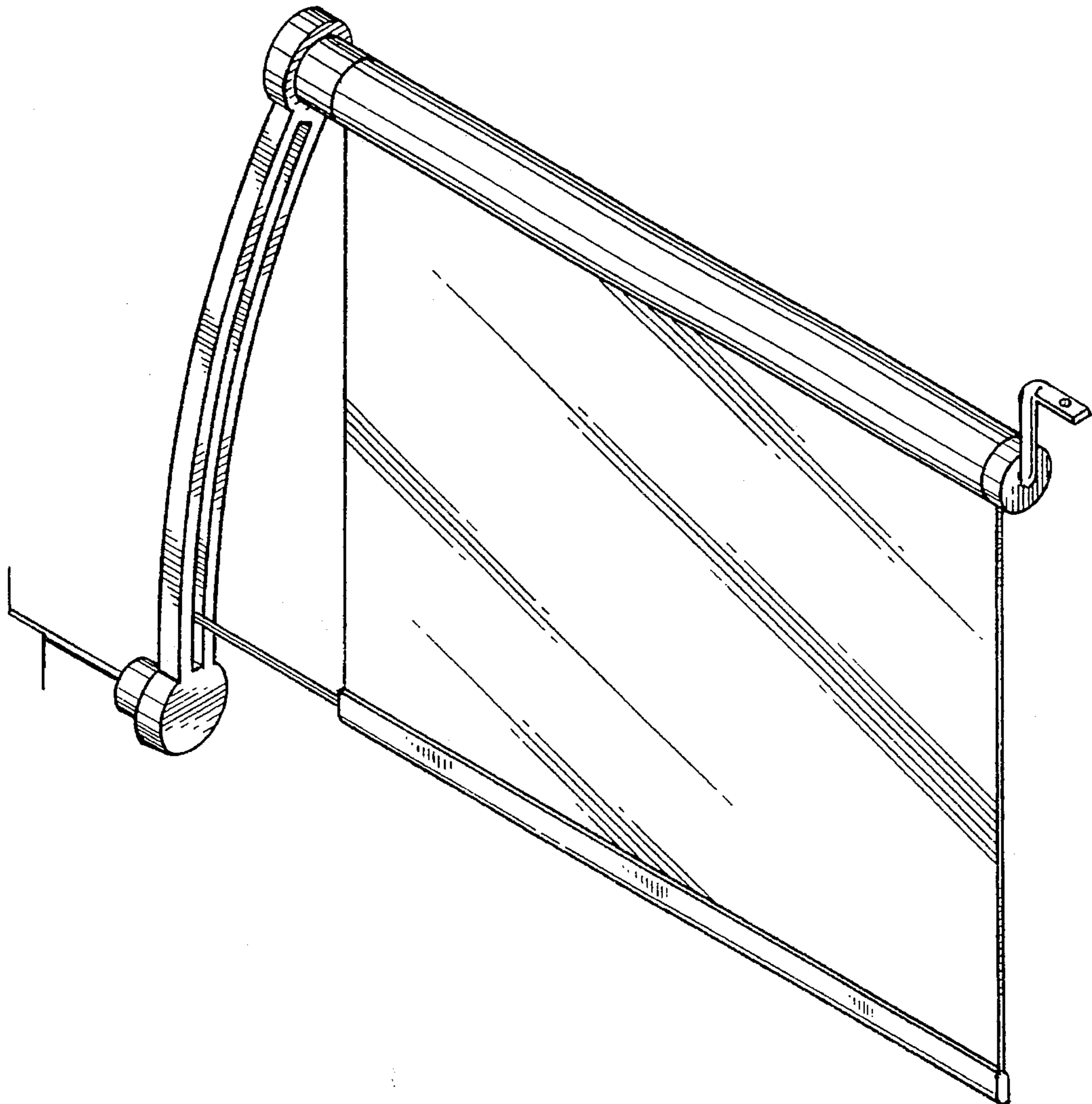
FIG. 1 is a perspective view of the electric visor shade showing my new design with the shade in its extended state; FIG. 2 is a front elevational view thereof with the shade in its retracted state, the rear elevational view being a mirror image of the view shown in this Figure; FIG. 3 is a right end elevational view thereof; FIG. 4 is a left end elevational view thereof; FIG. 5 is a top plan view thereof; and, FIG. 6 is a bottom plan view thereof.

[56] **References Cited**

U.S. PATENT DOCUMENTS

| | | | | |
|------------|---------|----------|-------|------------|
| D. 356,540 | 3/1995 | Hammtree | | D12/401 |
| 1,528,312 | 3/1925 | Taylor | | 296/97.1 X |
| 3,008,757 | 11/1961 | Sinnett | | 296/97.8 |
| 3,336,072 | 8/1967 | Leonard | | 296/97.8 |
| 4,776,628 | 10/1988 | Polito | | 296/97.6 |

1 Claim, 2 Drawing Sheets



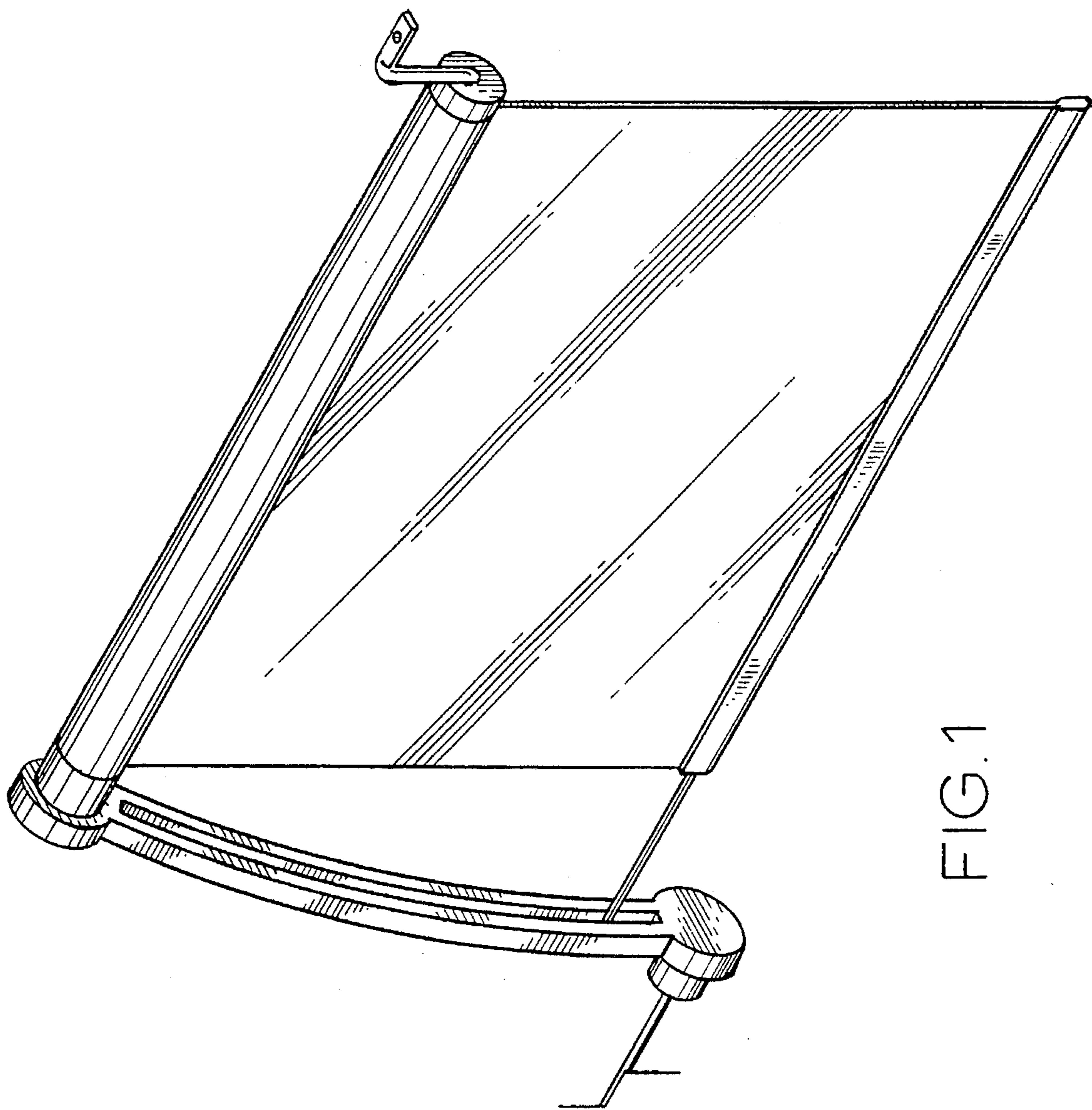


FIG. 1



FIG. 4

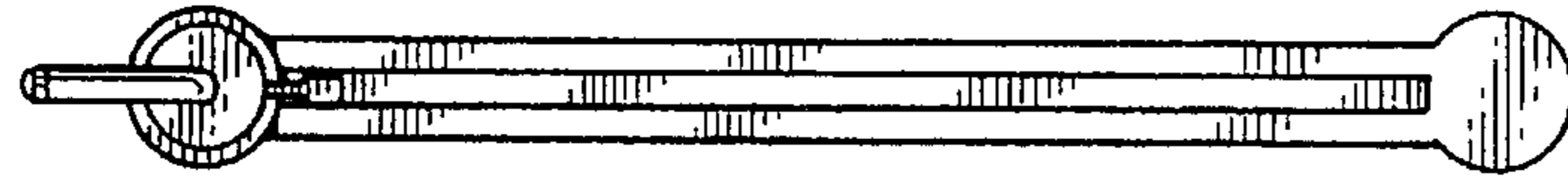


FIG. 3

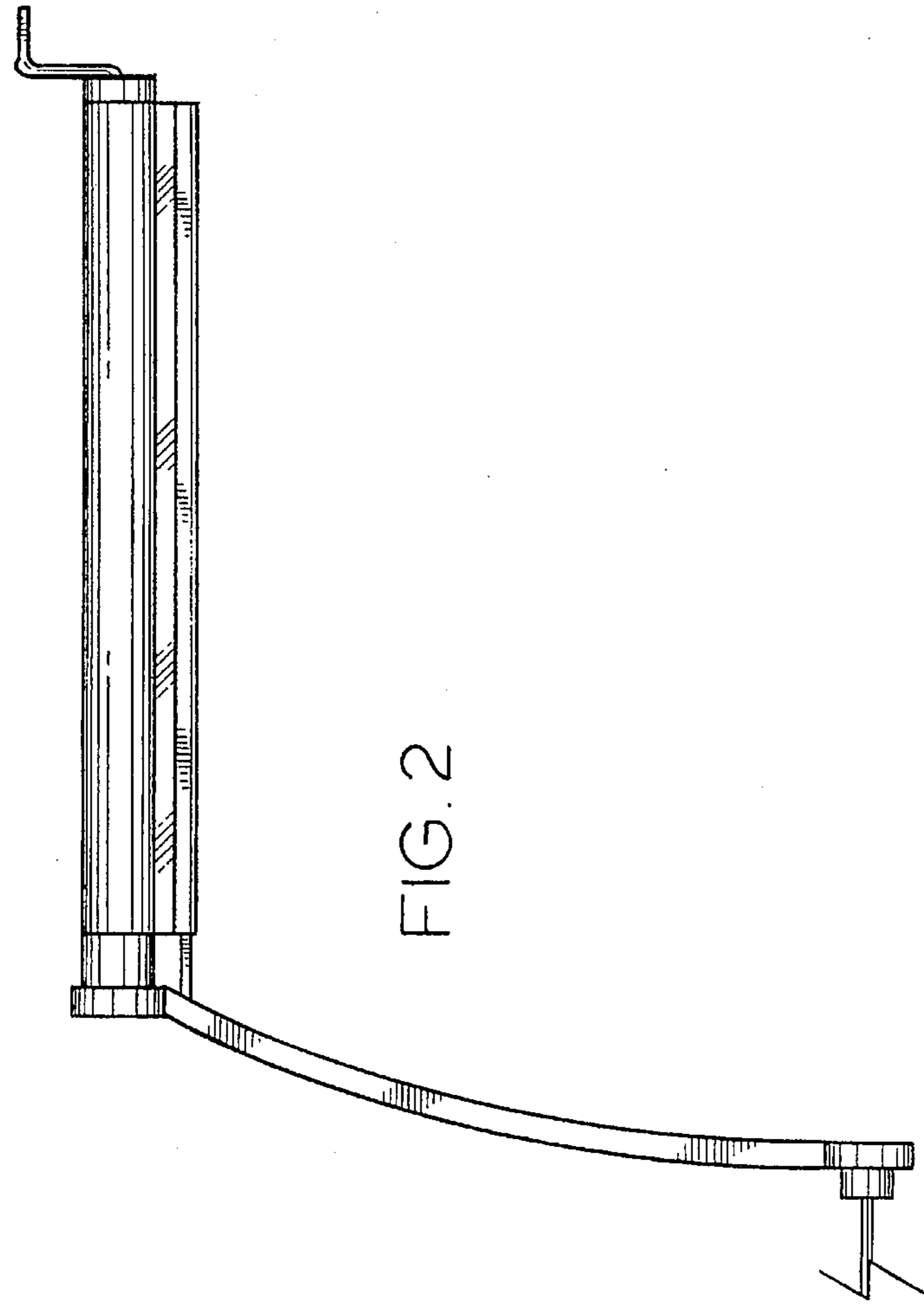


FIG. 2

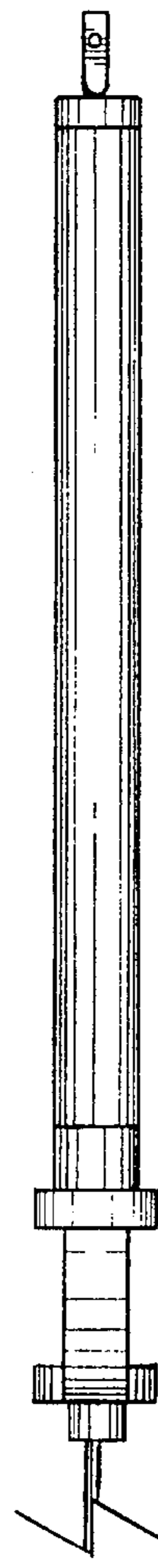


FIG. 5

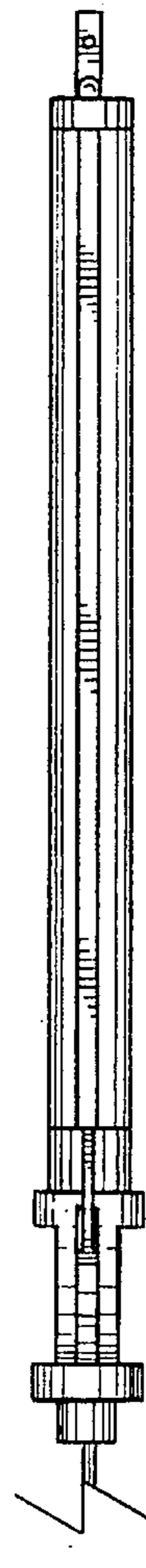


FIG. 6