



US00D375707S

# United States Patent [19] Yang

[11] Patent Number: **Des. 375,707**

[45] Date of Patent: **\*\*Nov. 19, 1996**

[54] **STROLLER**

5,244,228 9/1993 Chiu ..... 280/642

[76] Inventor: **Chih-Huang Yang**, No. 1-3, Lane 38,  
Jui-Feng St., Nan Dist., Taichung City,  
Taiwan

*Primary Examiner*—Kay H. Chin  
*Attorney, Agent, or Firm*—Fish & Richardson P.C.

[\*\*] Term: **14 Years**

[57] **CLAIM**

The ornamental design for a stroller, as shown and describe.

[21] Appl. No.: **51,057**

**DESCRIPTION**

[22] Filed: **Mar. 1, 1996**

[52] U.S. Cl. .... **D12/129**

[58] Field of Search ..... D12/128, 129;  
280/30, 642, 643, 644, 647, 650, 658

FIG. 1 is a perspective view of stroller showing my new design;

FIG. 2 is a front elevational view thereof;

FIG. 3 is a rear elevational view thereof;

FIG. 4 is a left side elevational view thereof;

FIG. 5 is a right side elevational view thereof;

FIG. 6 is a top plan view thereof; and,

FIG. 7 is a bottom plan view thereof.

[56] **References Cited**

**U.S. PATENT DOCUMENTS**

D. 355,874 2/1995 Nelson ..... D12/129

D. 362,832 10/1995 Haut et al. .... D12/129

**1 Claim, 4 Drawing Sheets**





FIG. 1

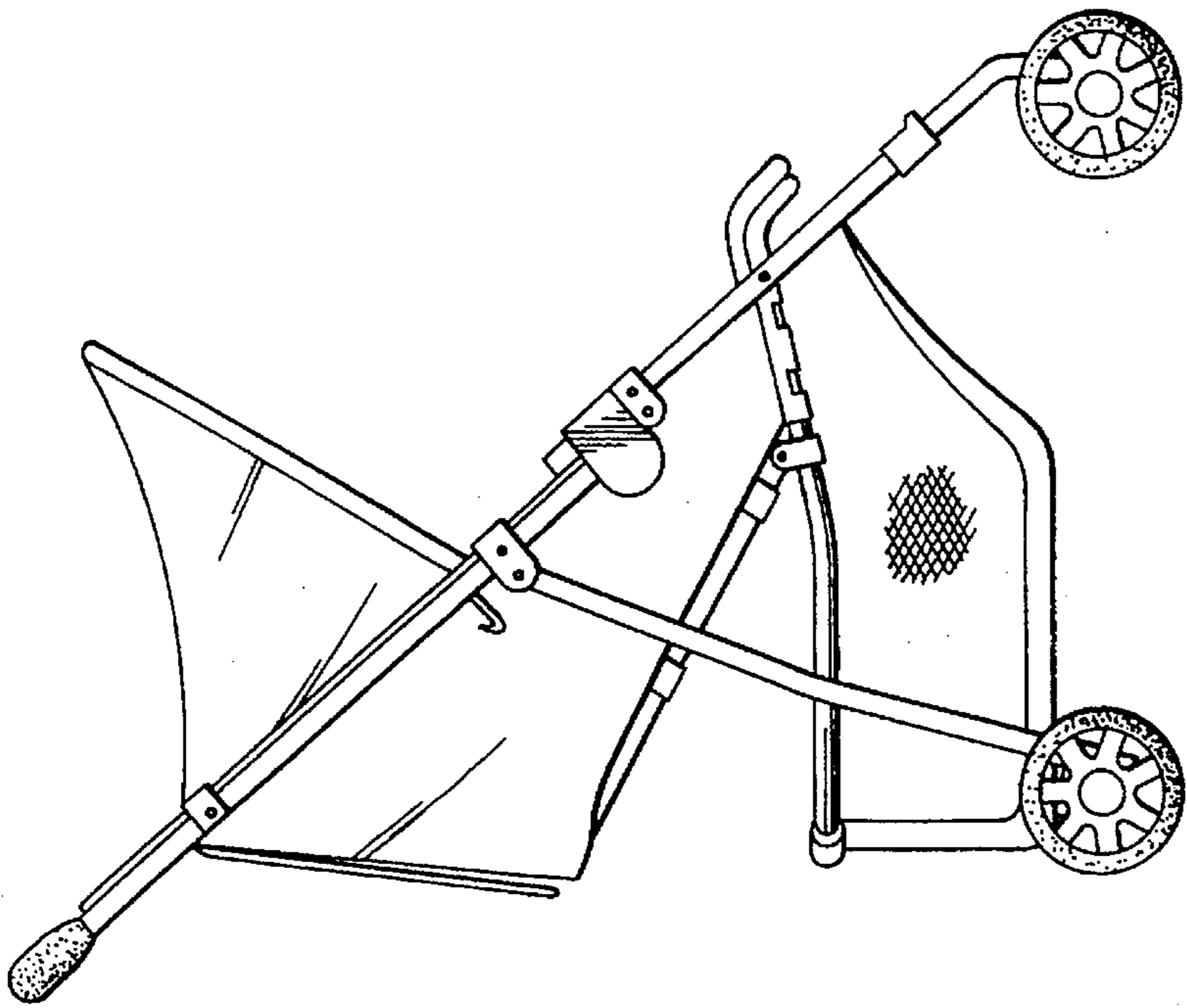


FIG. 3

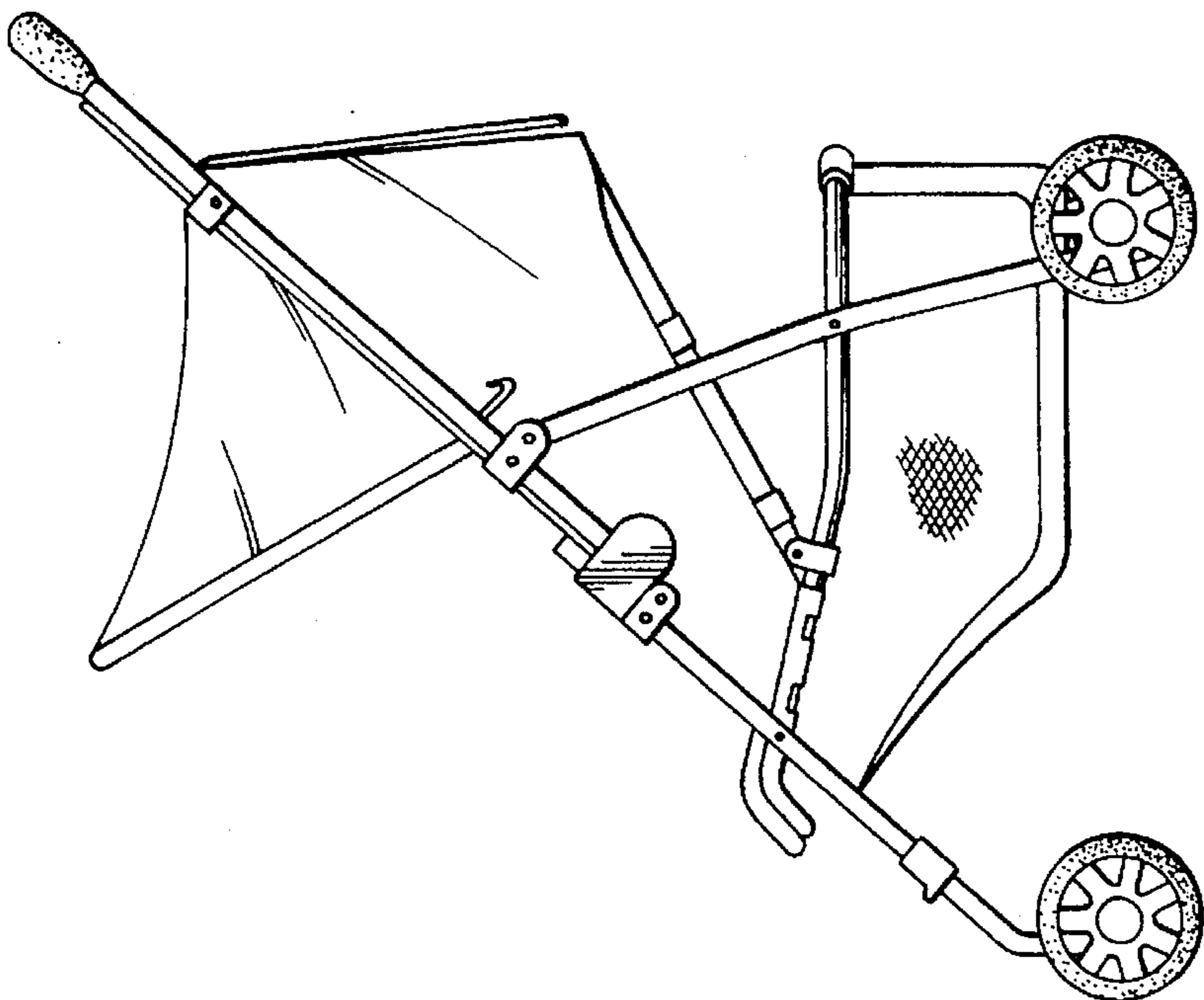


FIG. 2

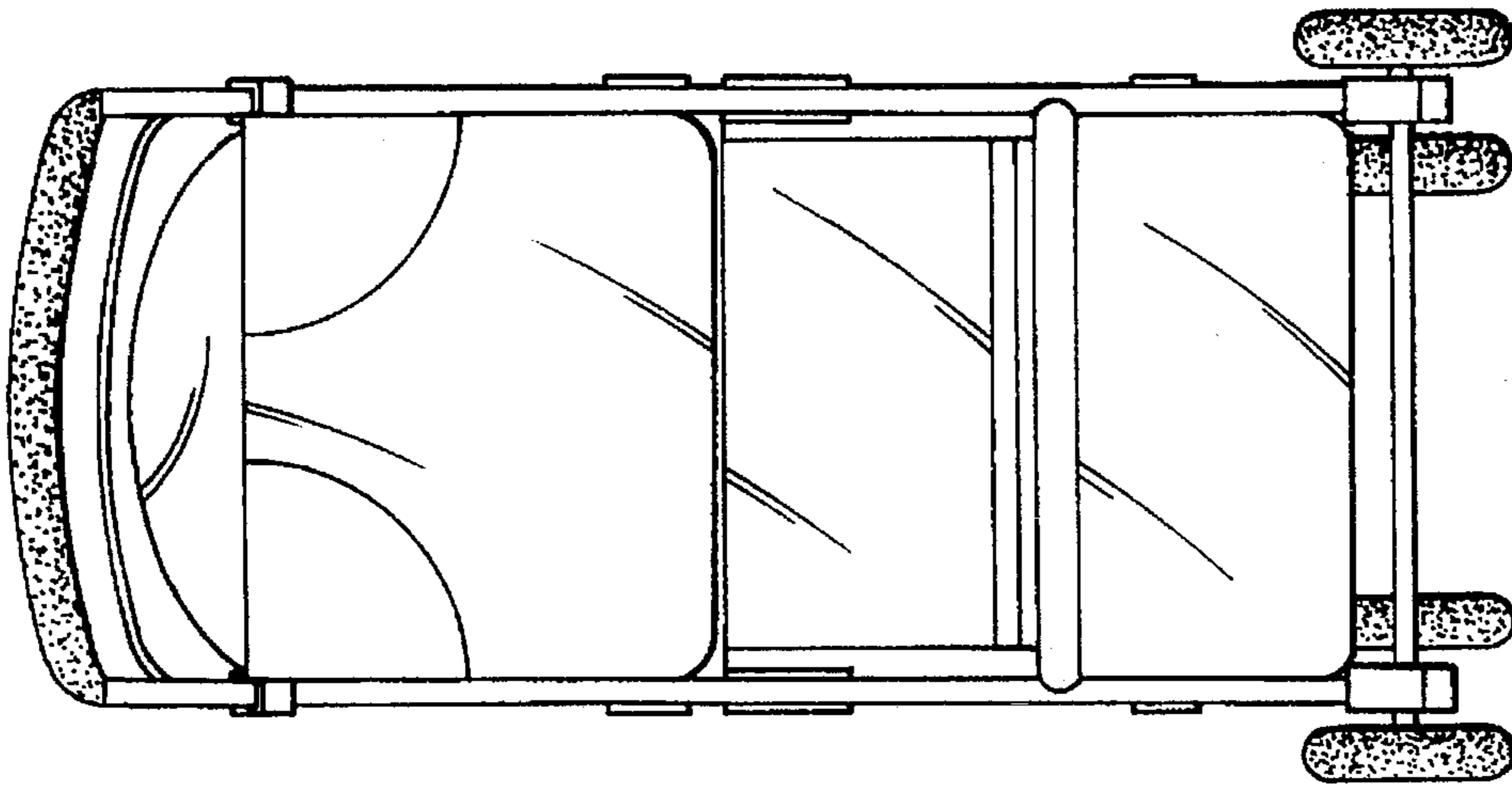


FIG. 5

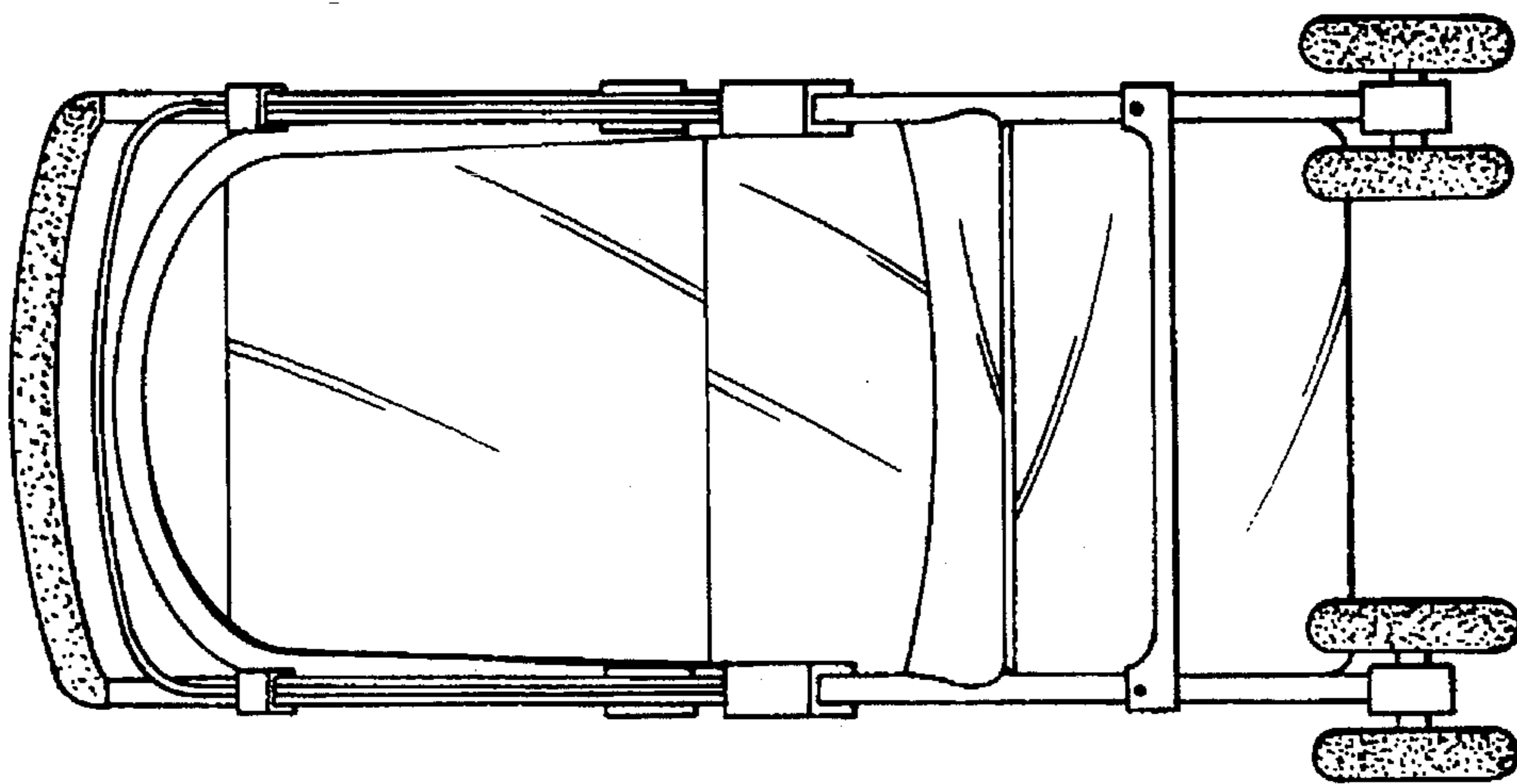


FIG. 4

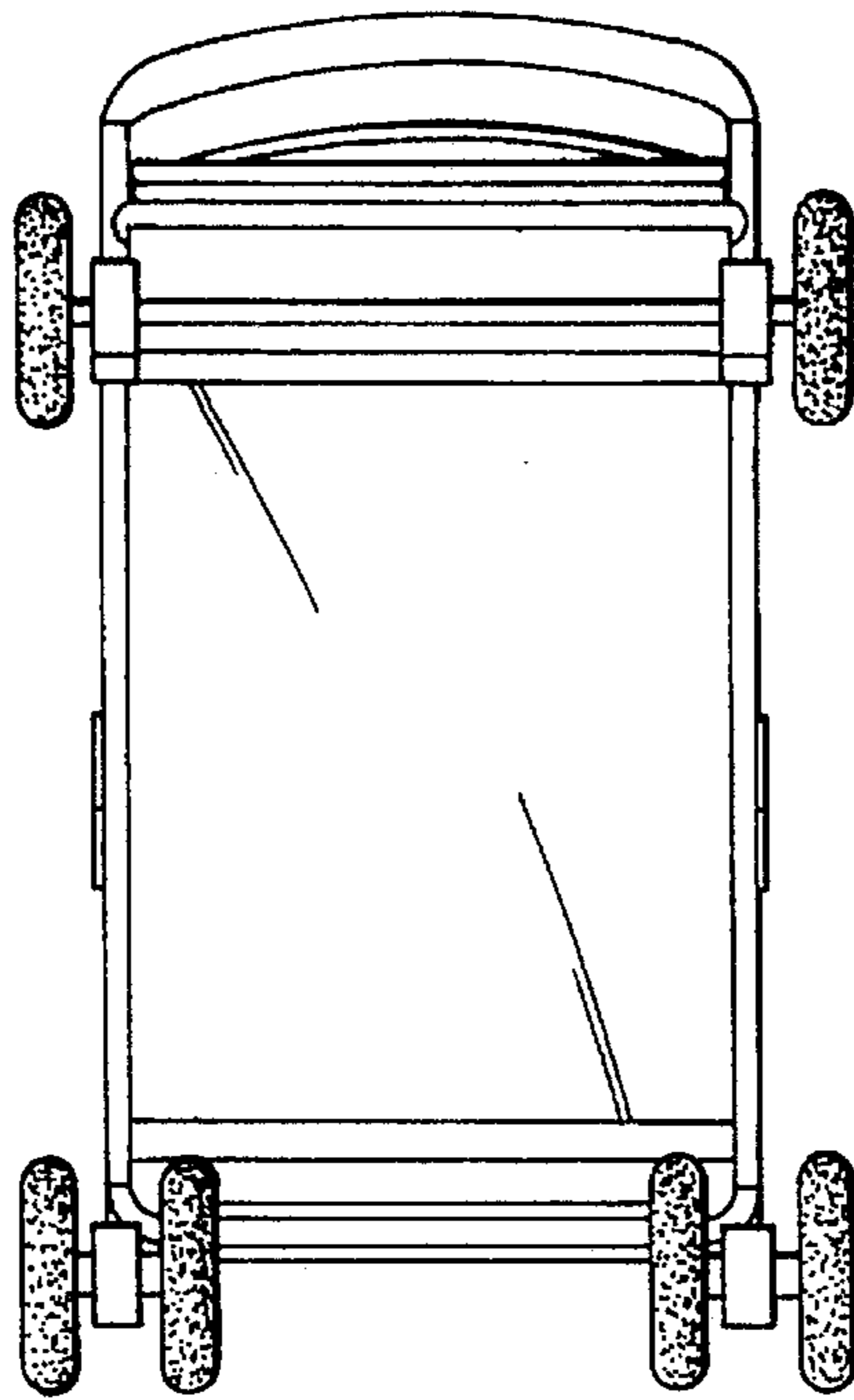


FIG. 7

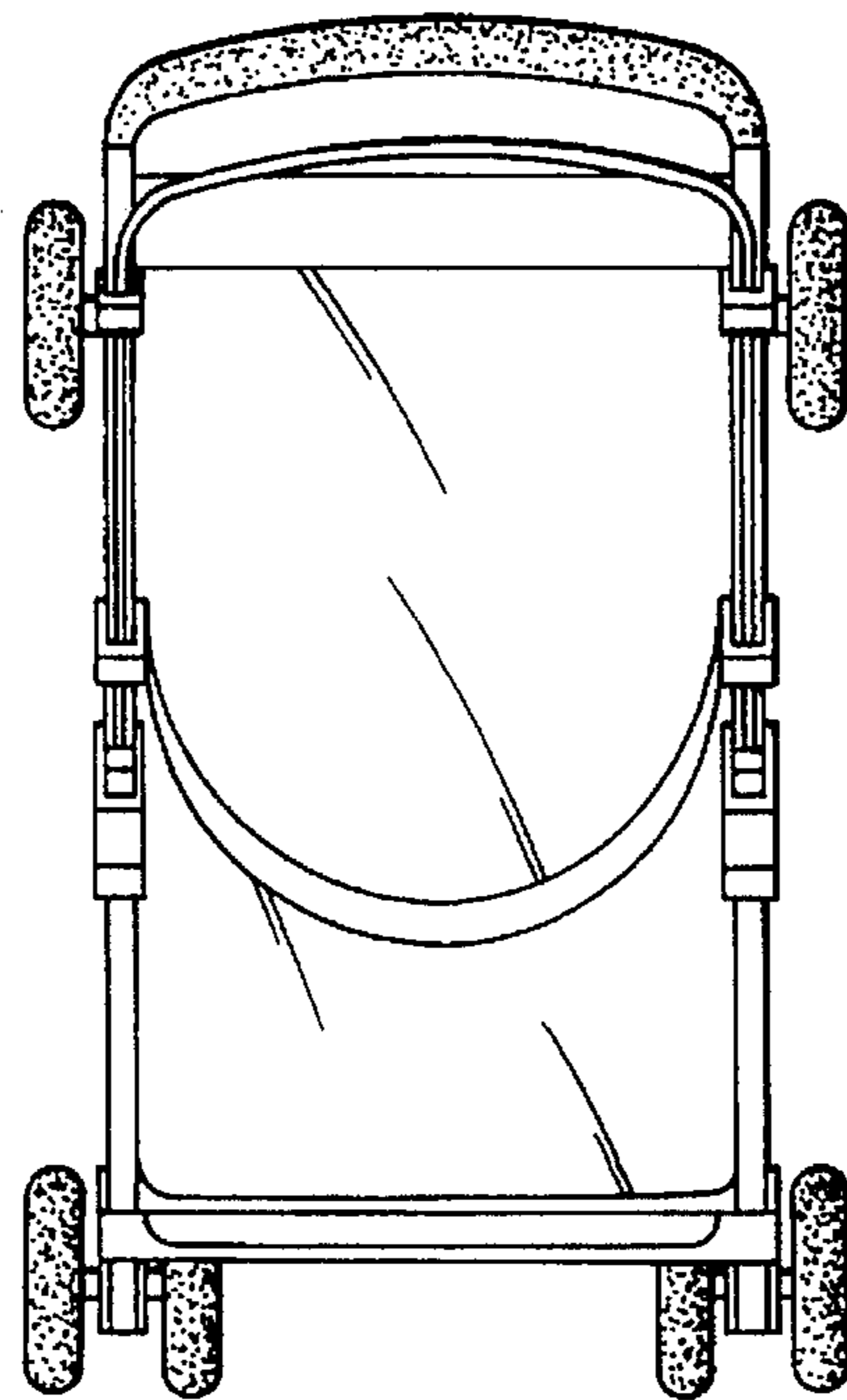


FIG. 6