



US00D375695S

# United States Patent [19] Narai

[11] Patent Number: **Des. 375,695**

[45] Date of Patent: **\*\*Nov. 19, 1996**

[54] **PEDOMETER**

[75] Inventor: **Akihisa Narai, Mie, Japan**

[73] Assignee: **Omron Corporation, Kyoto, Japan**

[\*\*] Term: **14 Years**

[21] Appl. No.: **45,393**

[22] Filed: **Oct. 18, 1995**

[30] **Foreign Application Priority Data**

Apr. 18, 1995 [JP] Japan ..... 7-10978

[52] **U.S. Cl.** ..... **D10/97; D10/70**

[58] **Field of Search** ..... **D10/97, 98; 235/95 C, 235/105; 324/160-180; 377/5, 24.7, 26**

[56] **References Cited**

**U.S. PATENT DOCUMENTS**

D. 303,094 8/1989 Ling ..... D10/70

D. 312,046 11/1990 Ruehlemann ..... D10/70

D. 312,049 11/1990 Ruehlemann ..... D10/70

D. 332,576 1/1993 Huen ..... D10/98  
D. 337,731 7/1993 Reiner et al. .... D10/98

*Primary Examiner*—Antoine Duval Davis

*Attorney, Agent, or Firm*—Sughrue, Mion, Zinn, Macpeak & Seas

[57] **CLAIM**

The ornamental design for a pedometer, as shown and described.

**DESCRIPTION**

FIG. 1 is a perspective view of the front, top and right side of a pedometer showing my new design; FIG. 2 is a right side elevational view thereof; FIG. 3 is a left side elevational view thereof; FIG. 4 is a front elevational view thereof; FIG. 5 is a top plan view thereof; FIG. 6 is a rear elevational view thereof; FIG. 7 is a bottom plan view thereof; and, FIG. 8 is a top plan view with the front cover in the open position.

**1 Claim, 2 Drawing Sheets**

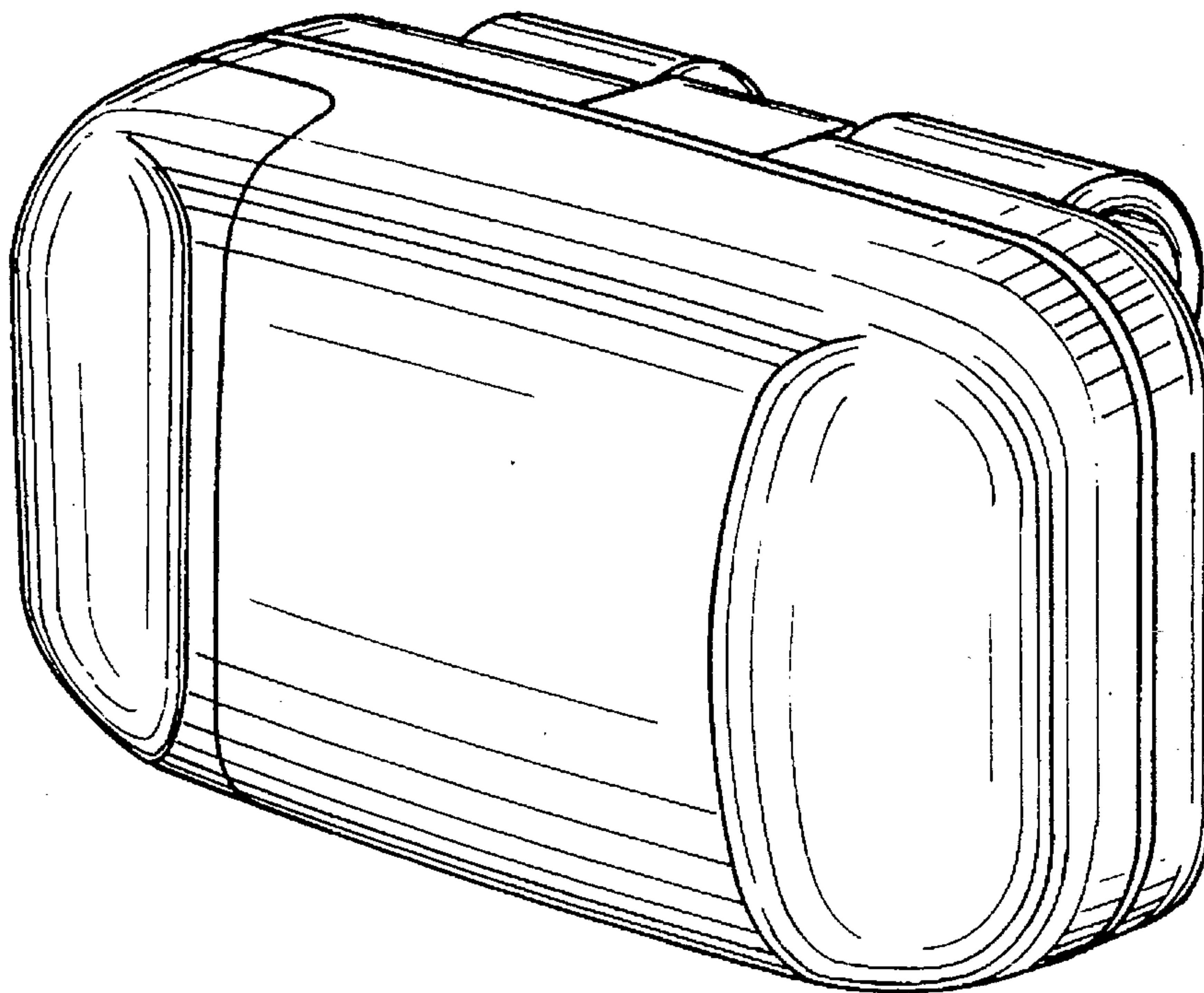


FIG. 1

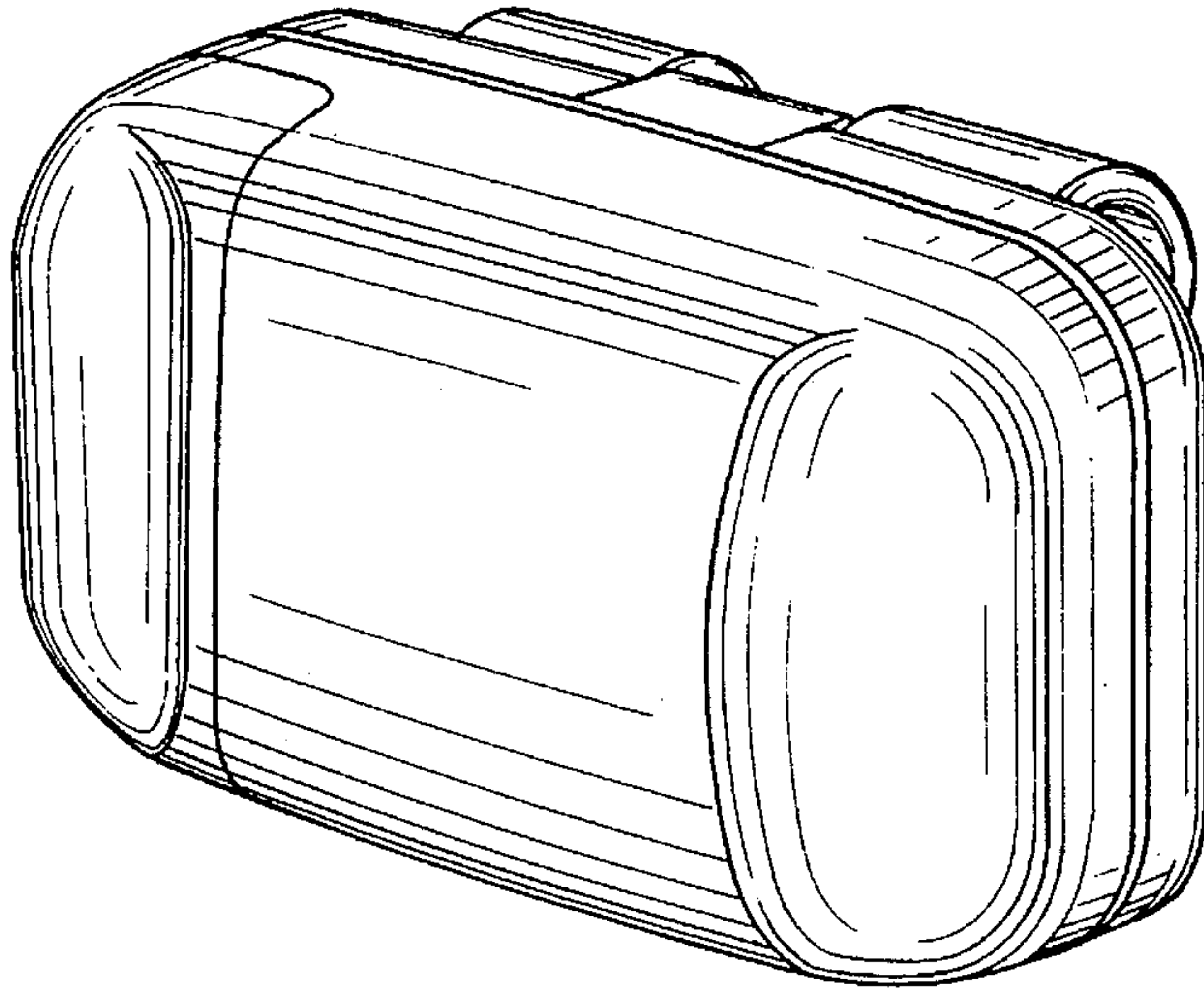


FIG. 2

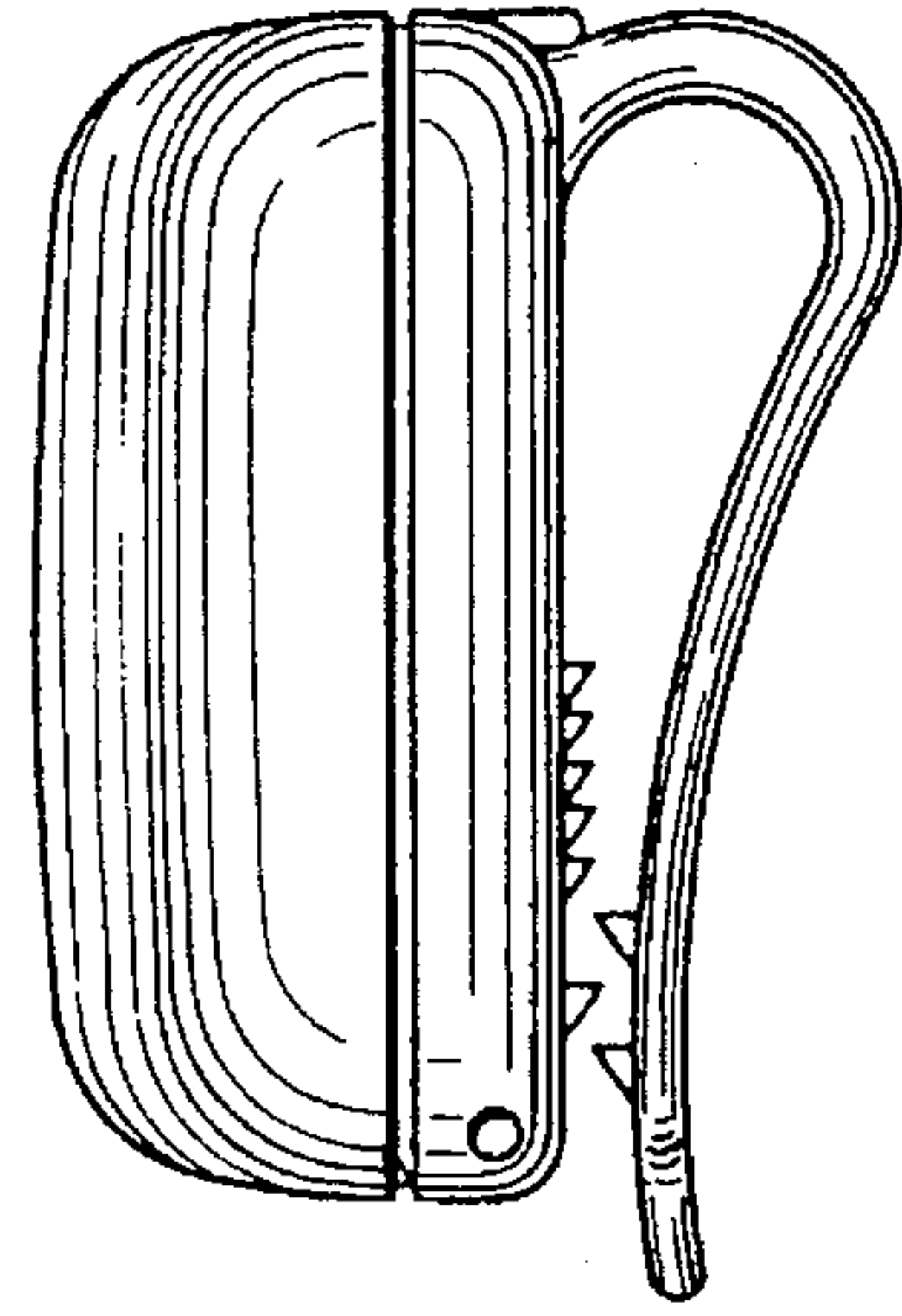


FIG. 3

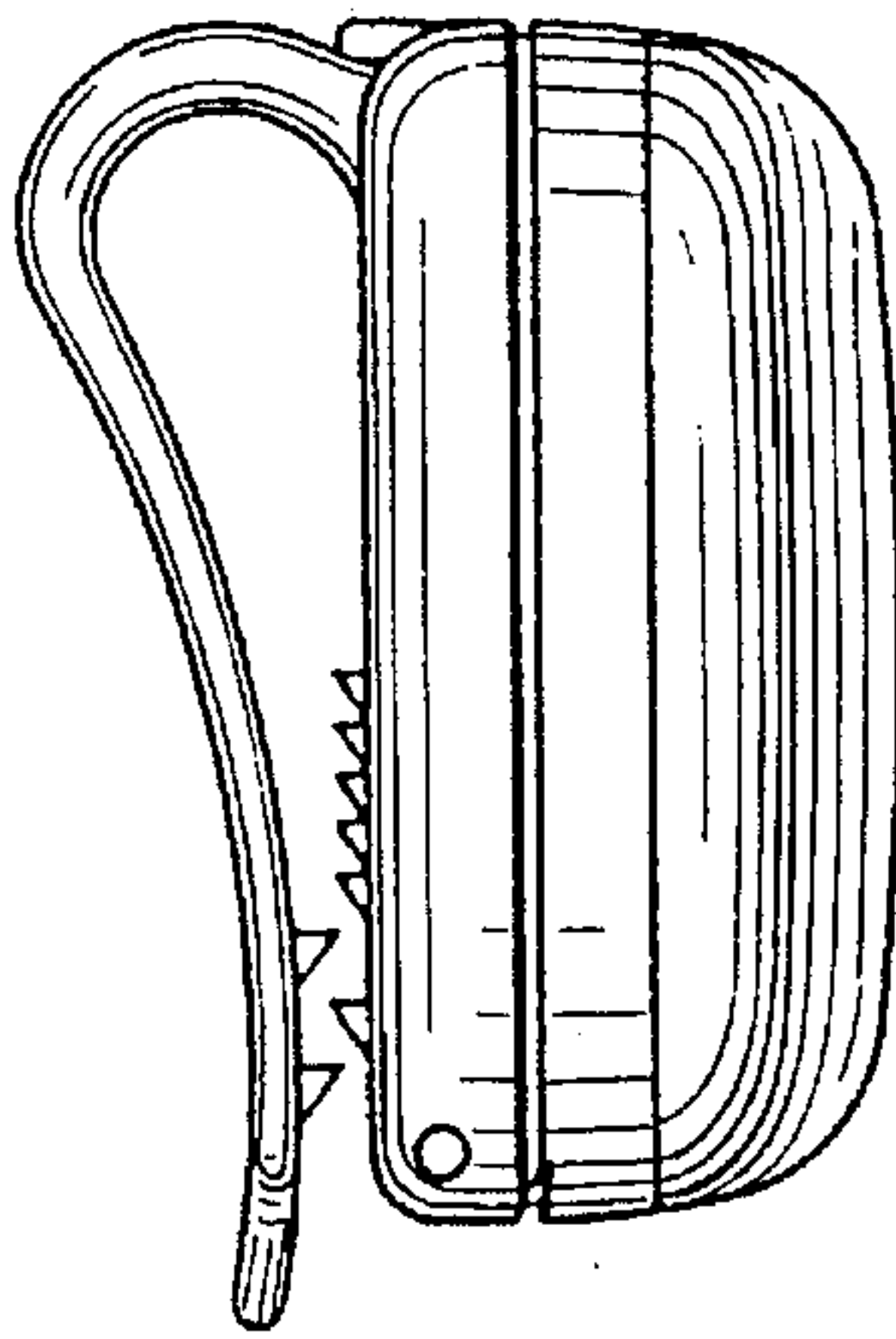


FIG. 4

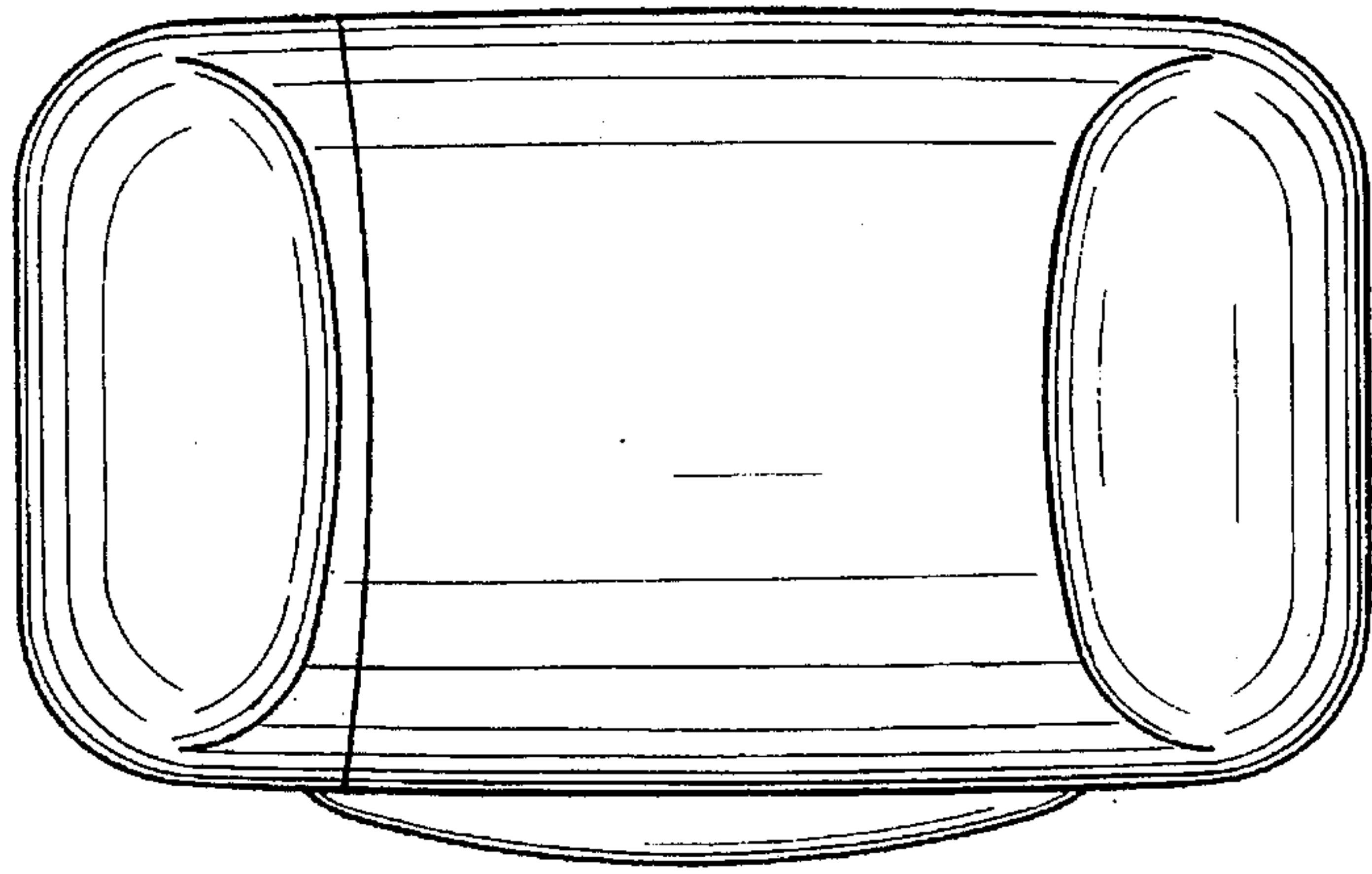


FIG. 5

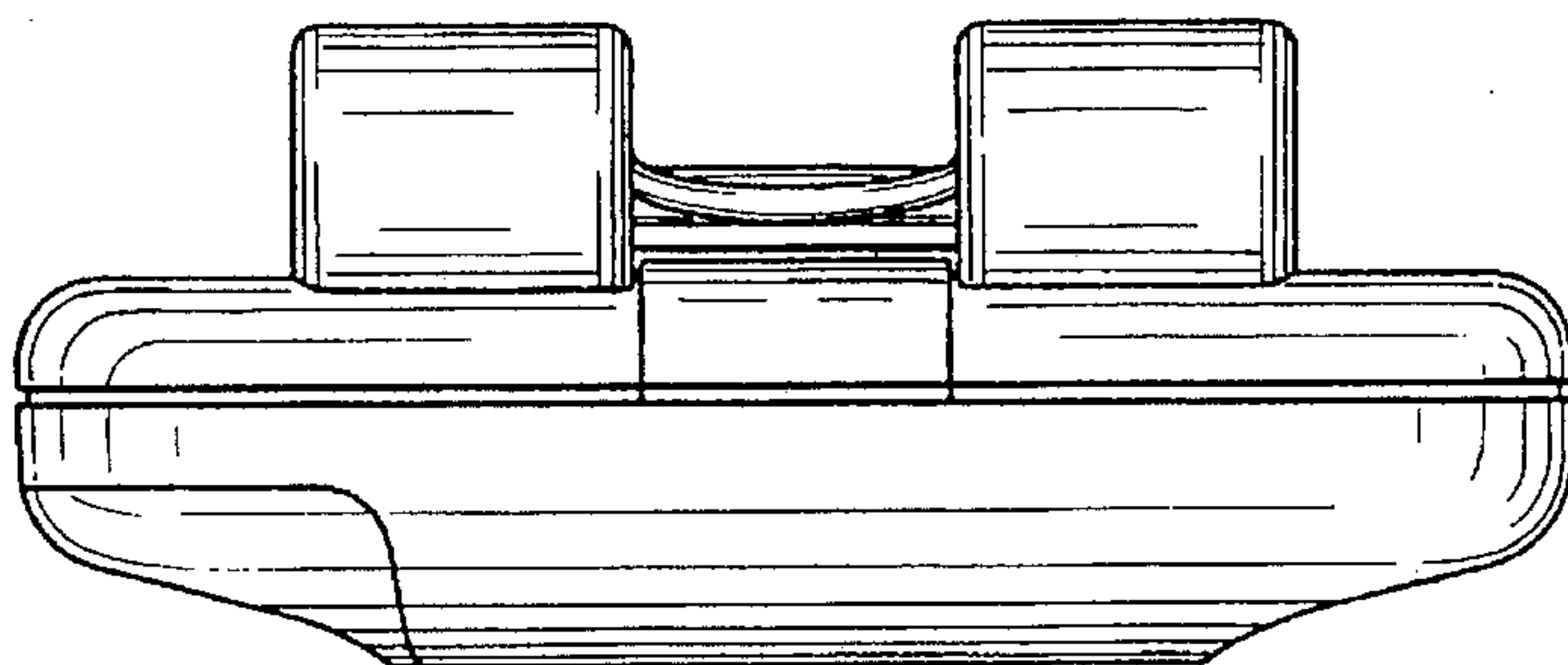


FIG. 6

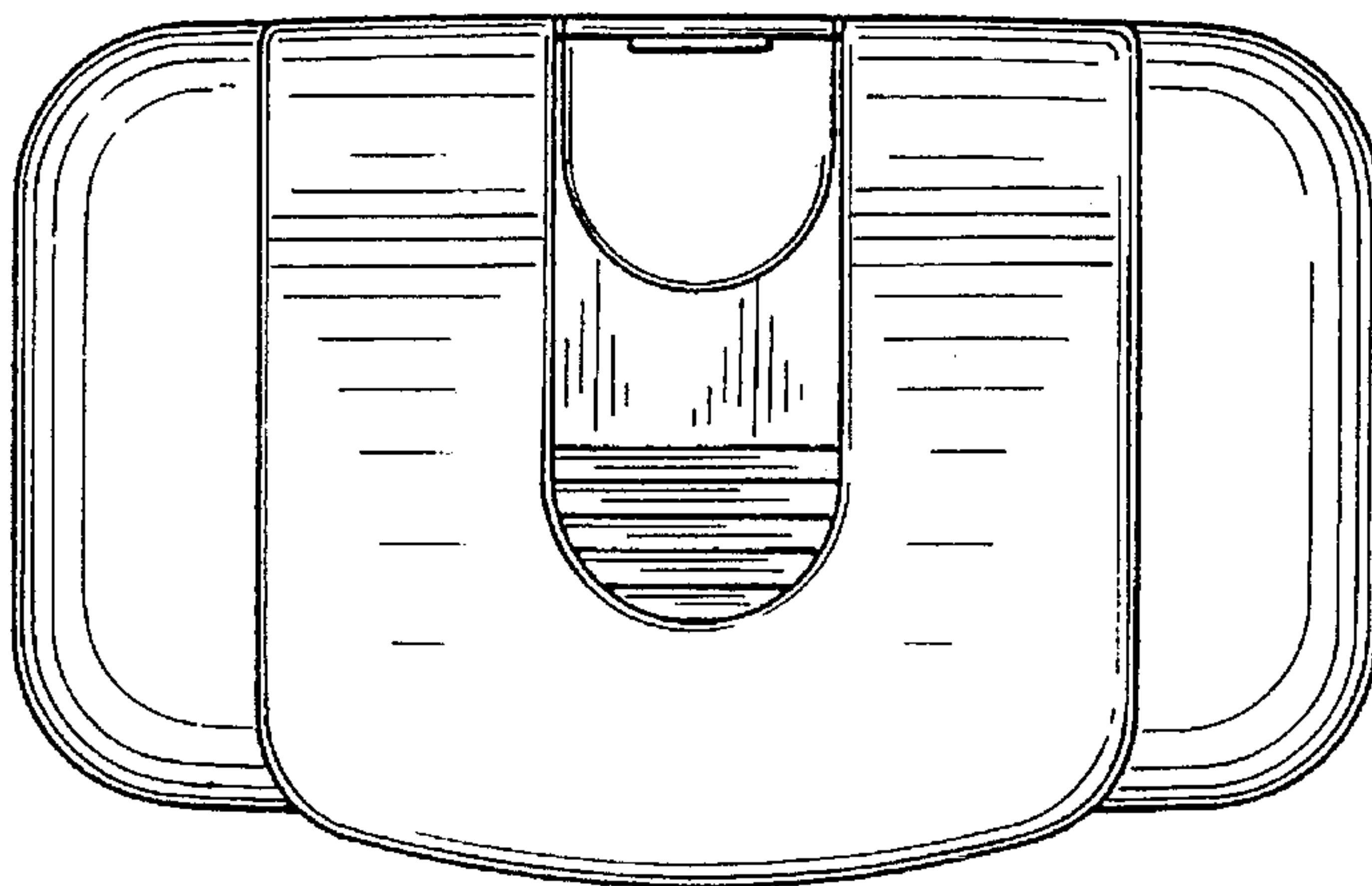


FIG. 7



FIG. 8

