



US00D375691S

United States Patent [19] Wong

[11] Patent Number: **Des. 375,691**

[45] Date of Patent: ****Nov. 19, 1996**

[54] TRAVELLING ANALOG ALARM CLOCK

[75] Inventor: **Shu K. Wong**, Yuen Long, Hong Kong

[73] Assignee: **Herald Electronics Limited**, New Territories, Hong Kong

[**] Term: **14 Years**

[21] Appl. No.: **48,155**

[22] Filed: **Dec. 21, 1995**

[52] U.S. Cl. **D10/18**

[58] Field of Search D10/1-40, 122-132;
368/276-277, 285, 316-317

[56] **References Cited**

U.S. PATENT DOCUMENTS

D. 301,309	5/1989	Houlihan	D10/15
D. 331,018	11/1992	Watanabe	D10/15 X
D. 337,950	8/1993	Davis	D10/15
D. 358,339	5/1995	Wong	D10/18
D. 359,455	6/1995	Wong	D10/15
D. 359,695	6/1995	Ling	D10/18 X
D. 363,229	10/1995	Wong	D10/18
D. 363,435	10/1995	Wong	D10/3 X
D. 364,355	11/1995	George	D10/15 X

Primary Examiner—Nelson C. Holtje

Attorney, Agent, or Firm—Beveridge, DeGrandi Weilacher & Young, LLP

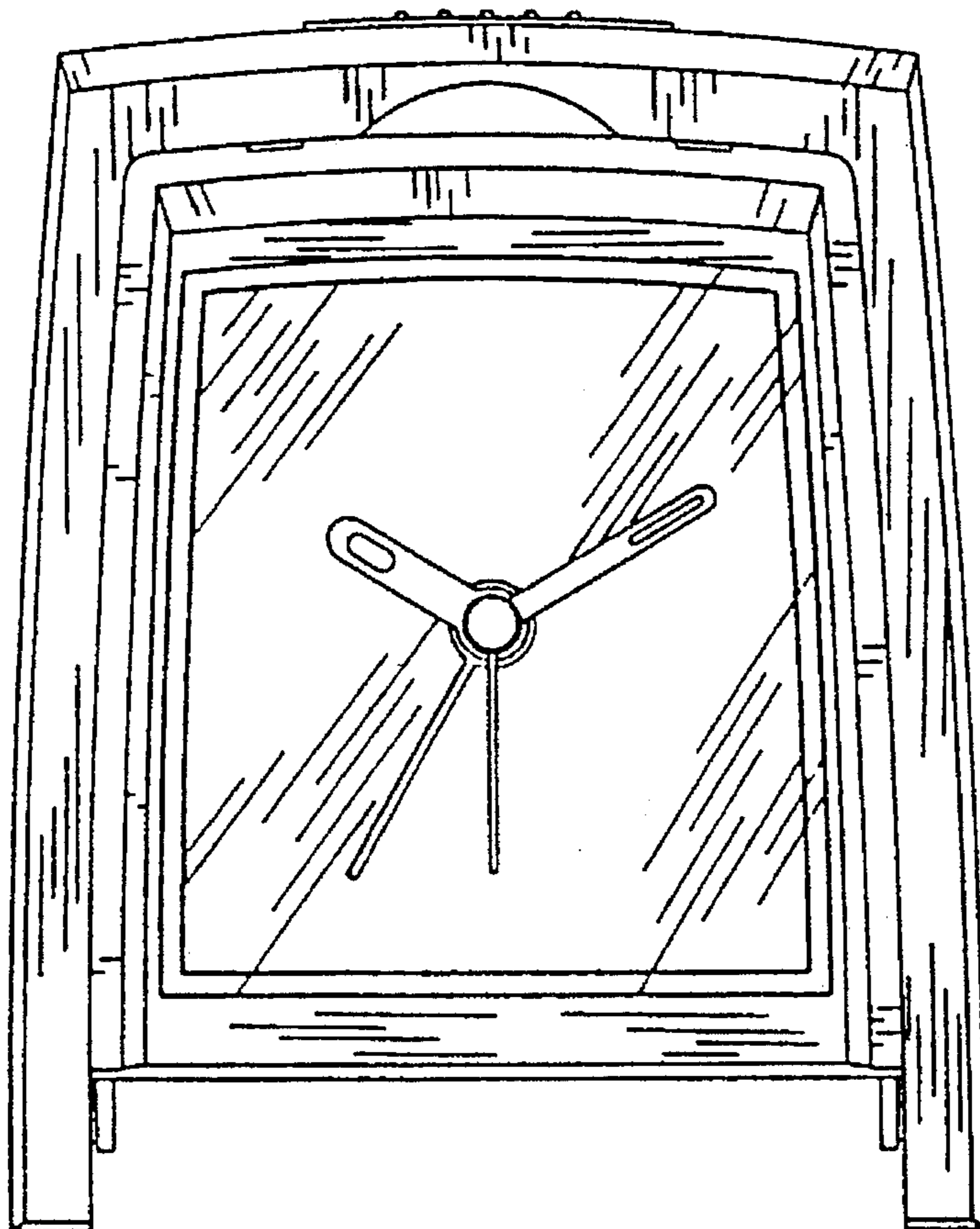
[57] **CLAIM**

The ornamental design for a travelling analog alarm clock, as shown and described.

DESCRIPTION

FIG. 1 is a front elevational view of a travelling analog alarm clock showing my new design;
 FIG. 2 is a back elevational view thereof;
 FIG. 3 is a left side elevational view thereof;
 FIG. 4 is a right side elevational view thereof;
 FIG. 5 is a top elevational view thereof;
 FIG. 6 is a bottom elevational view thereof;
 FIG. 7 is a front elevational view thereof, with lid being in a covered position;
 FIG. 8 is a back elevational view thereof, with lid being in a covered position;
 FIG. 9 is a side elevational view thereof, with lid being in a covered position;
 FIG. 10 is a top elevational view thereof, with lid being in a covered position; and,
 FIG. 11 is a bottom elevational view thereof, with lid being in a covered position.

1 Claim, 11 Drawing Sheets



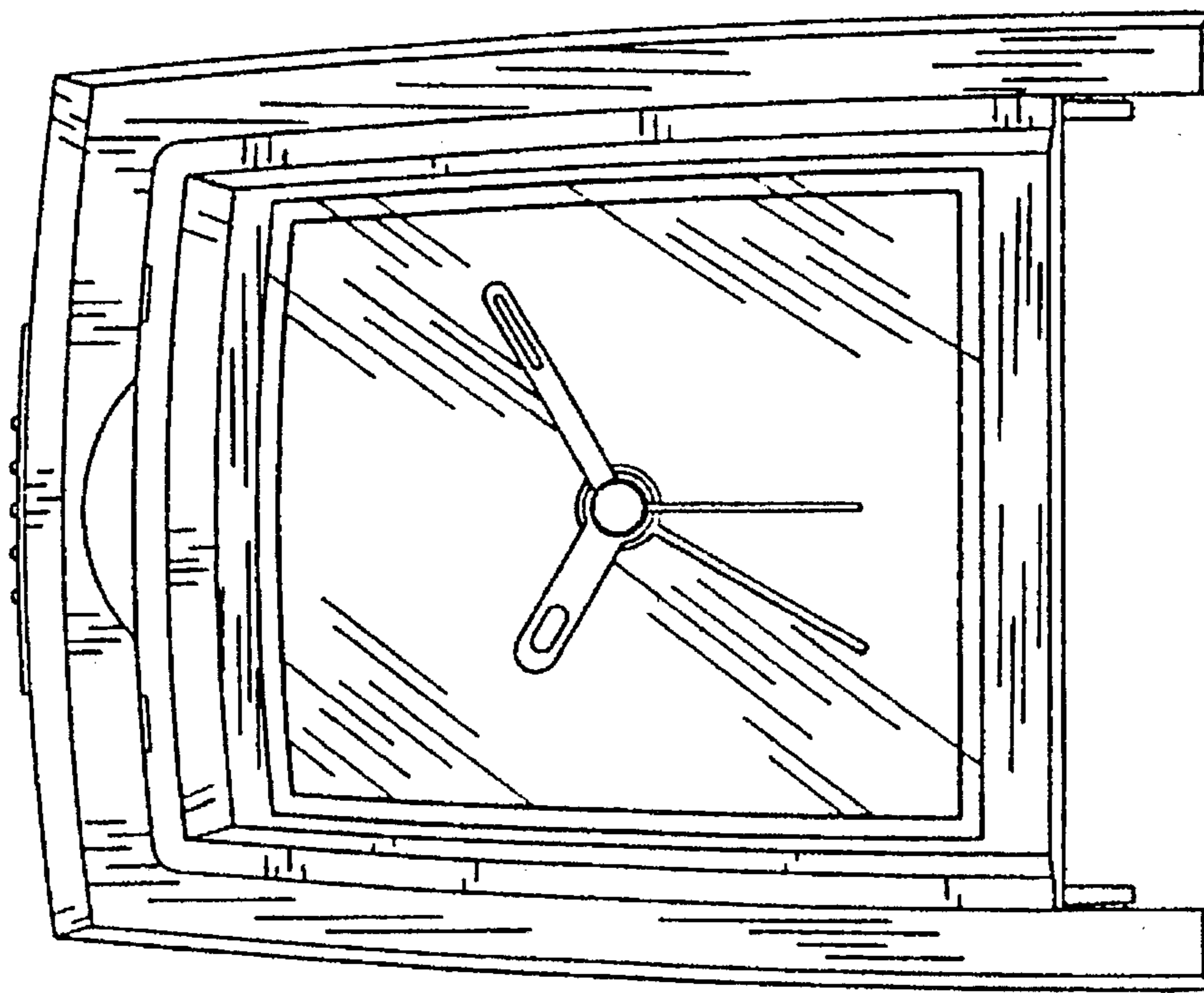


FIG. 1

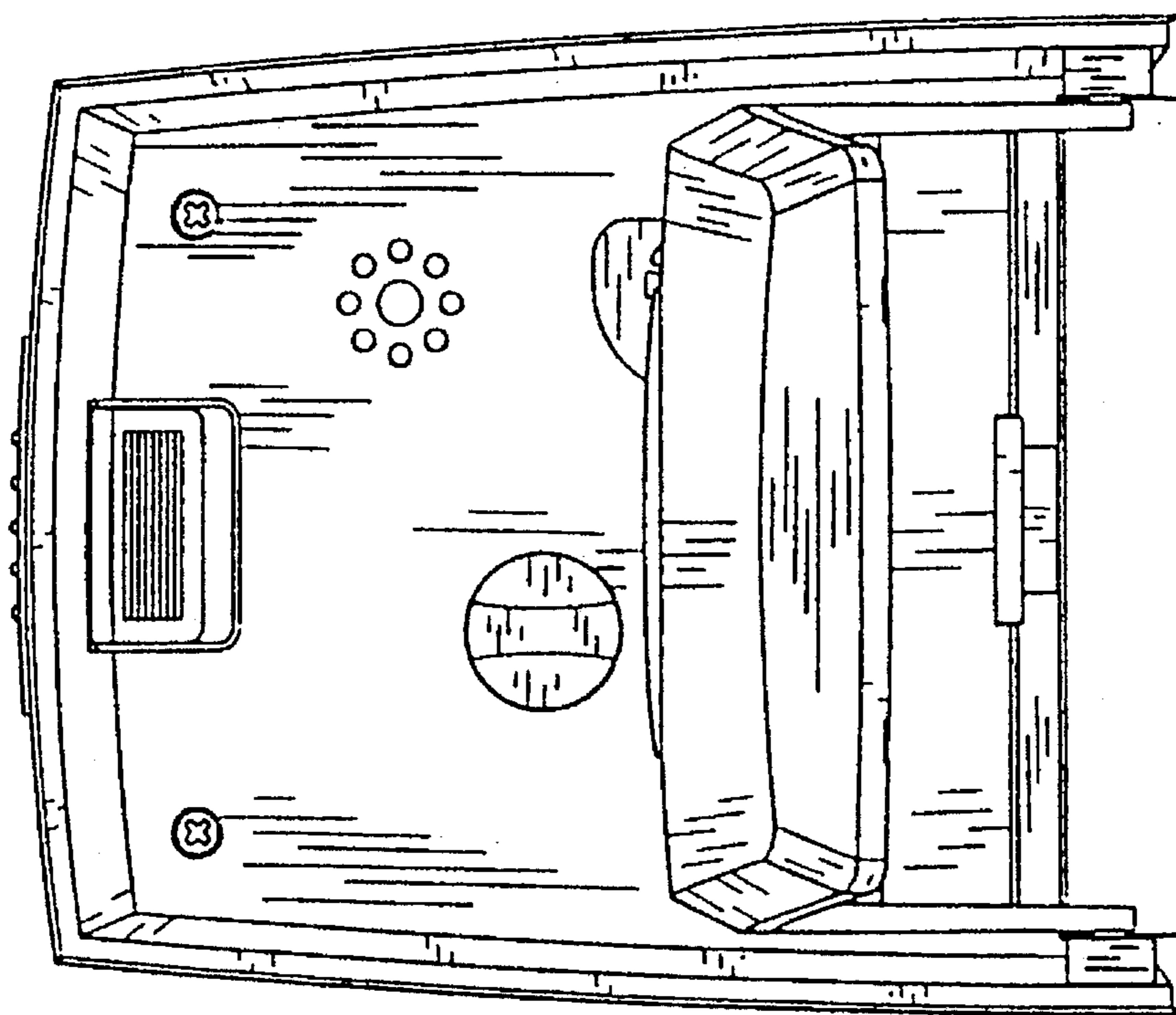


FIG. 2

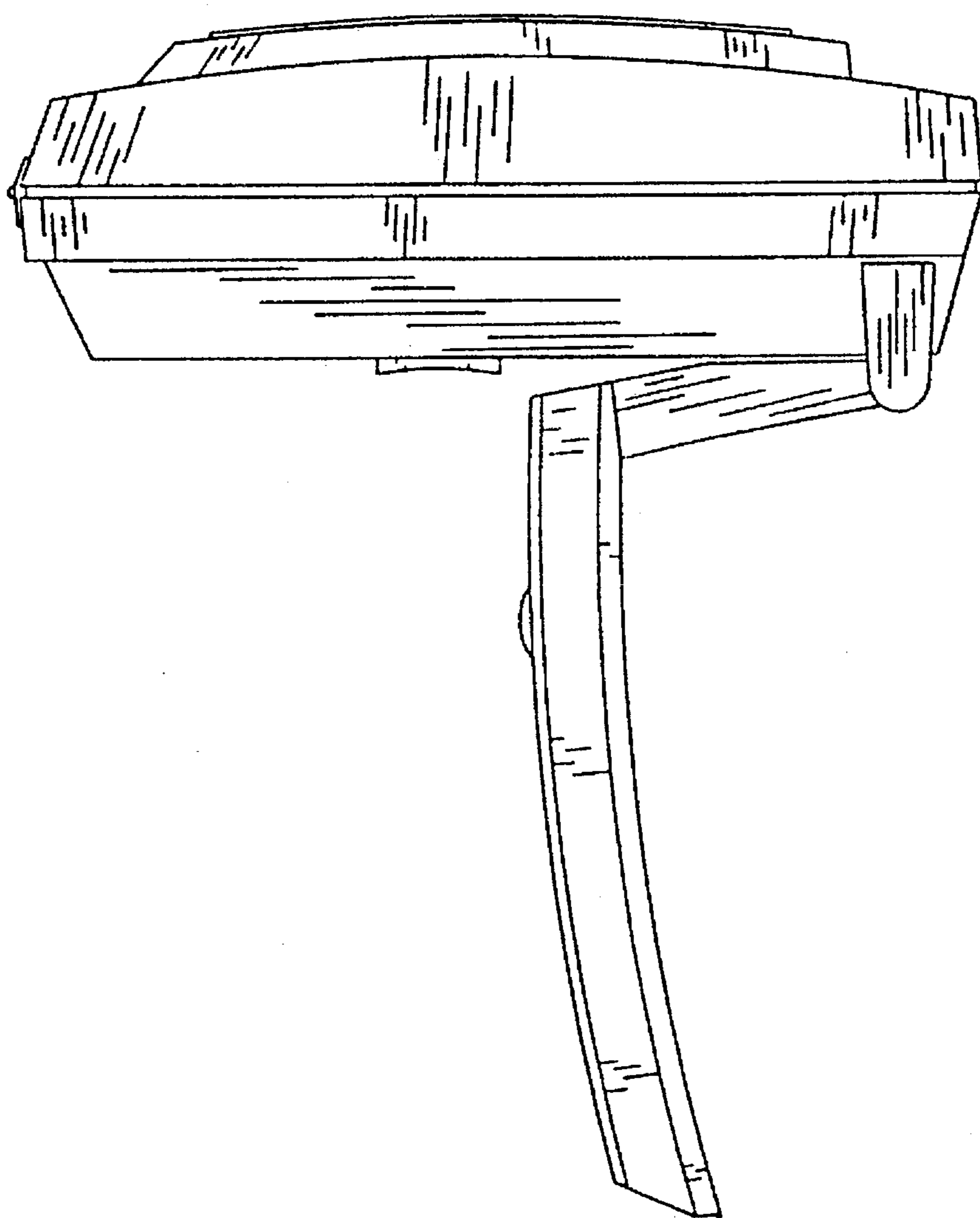


FIG. 3

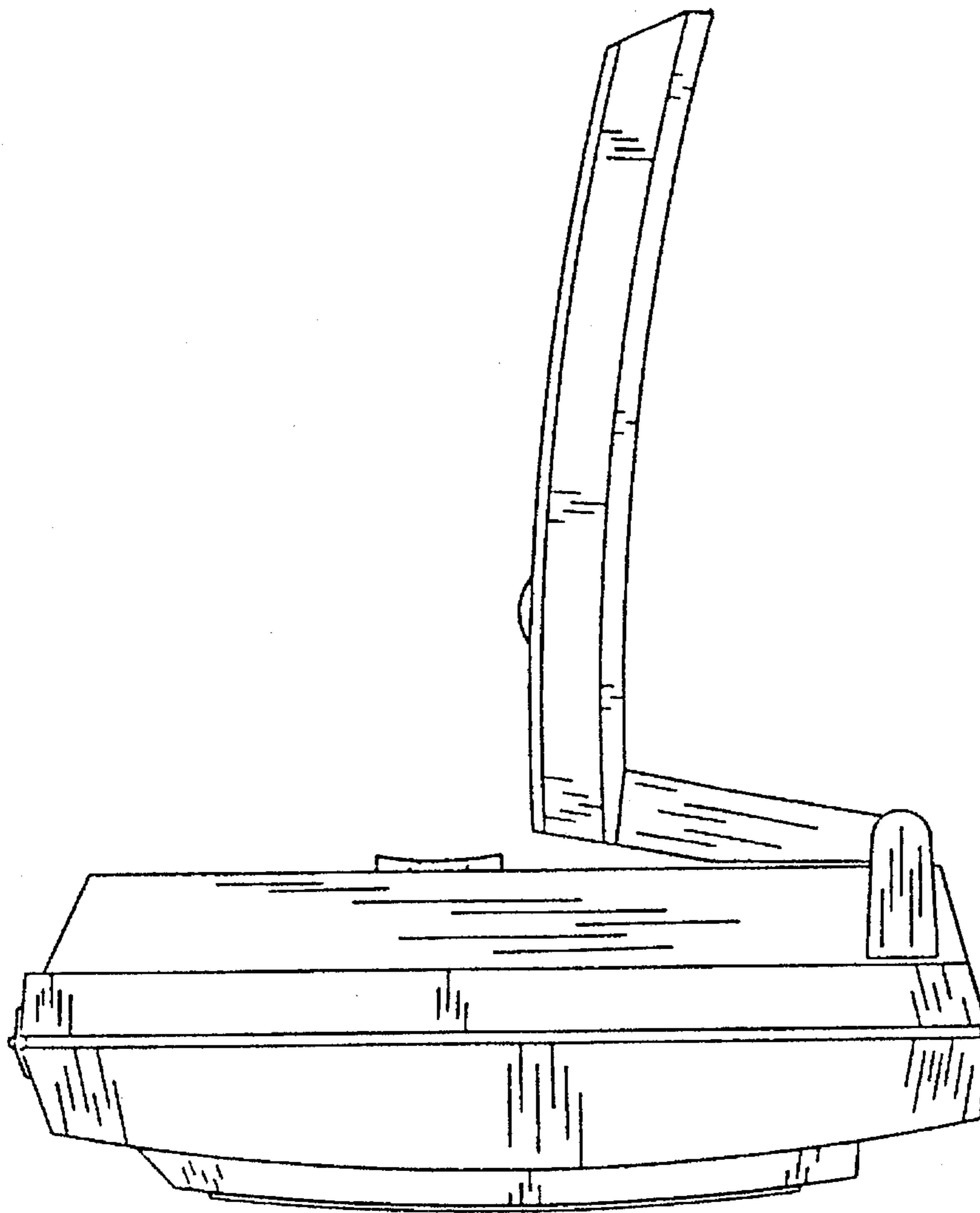


FIG. 4

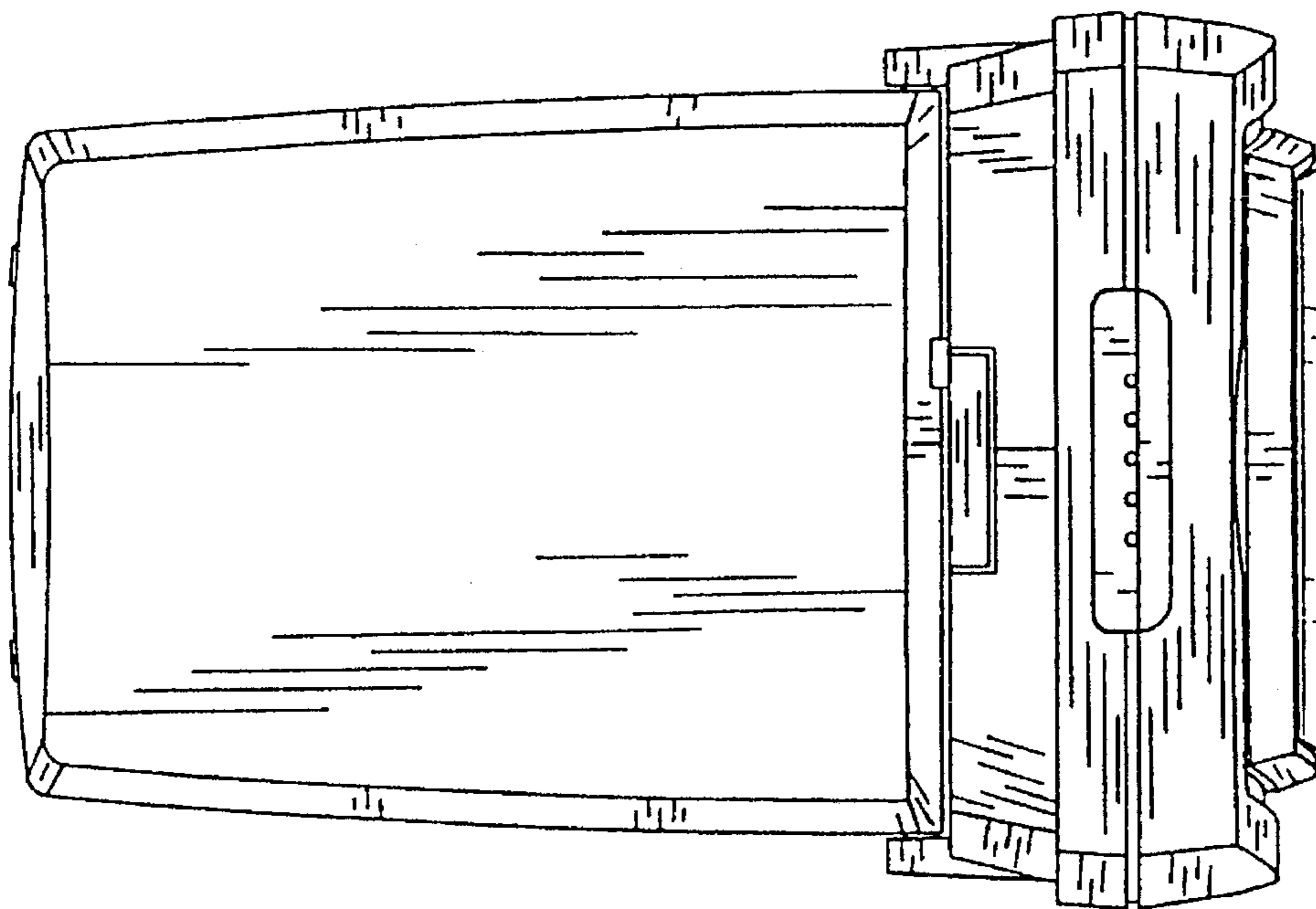


FIG. 5

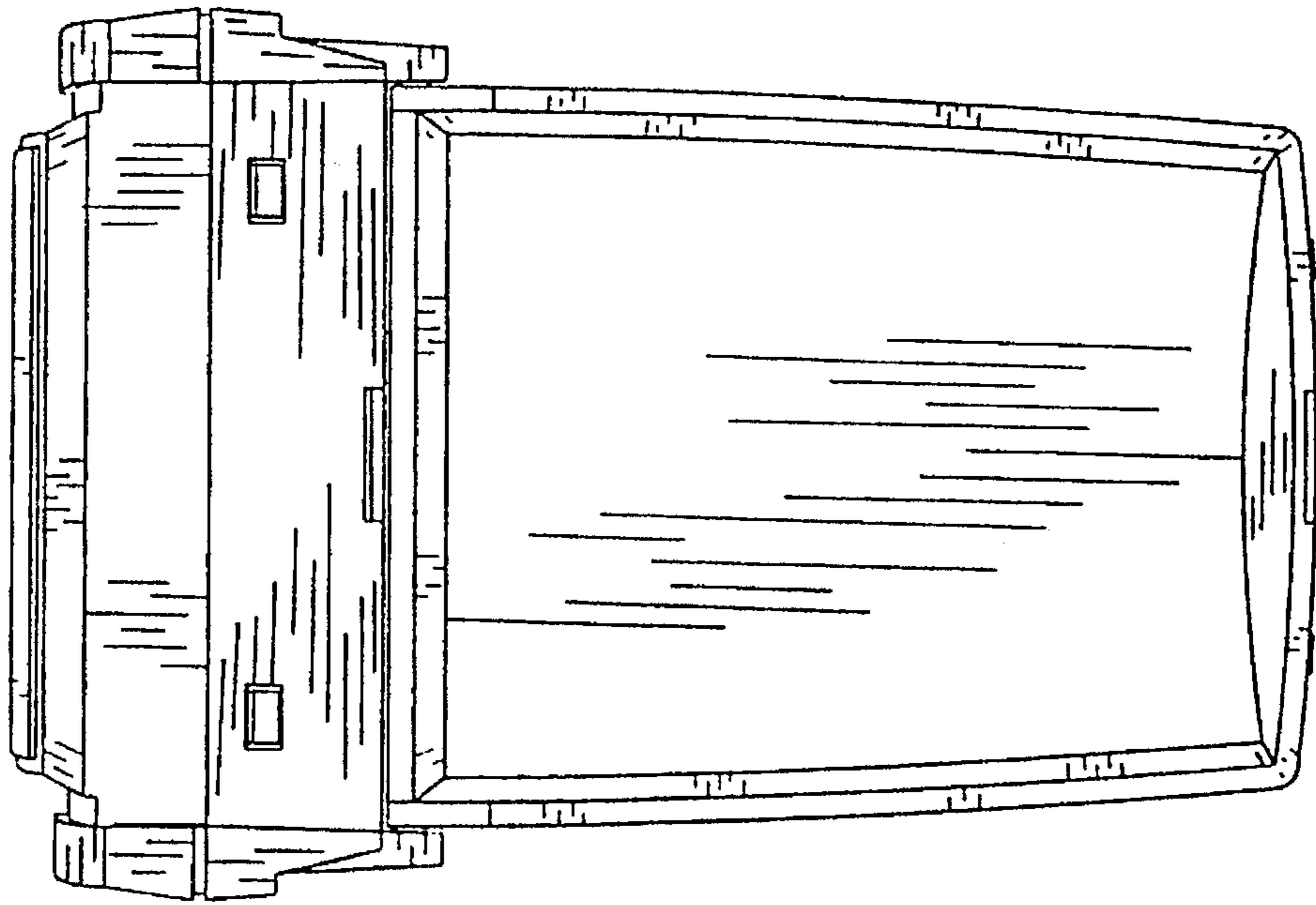


FIG. 6

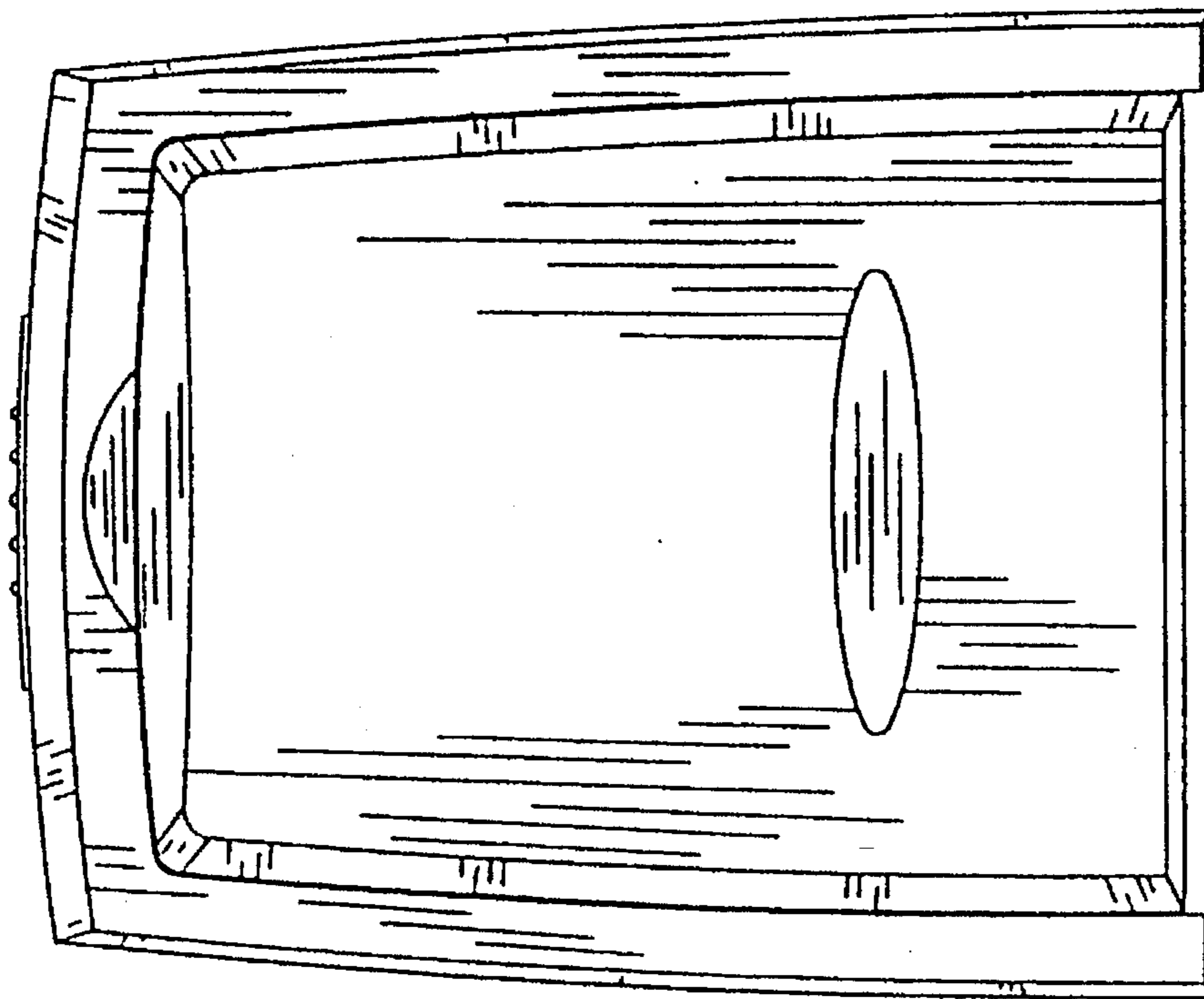


FIG. 7

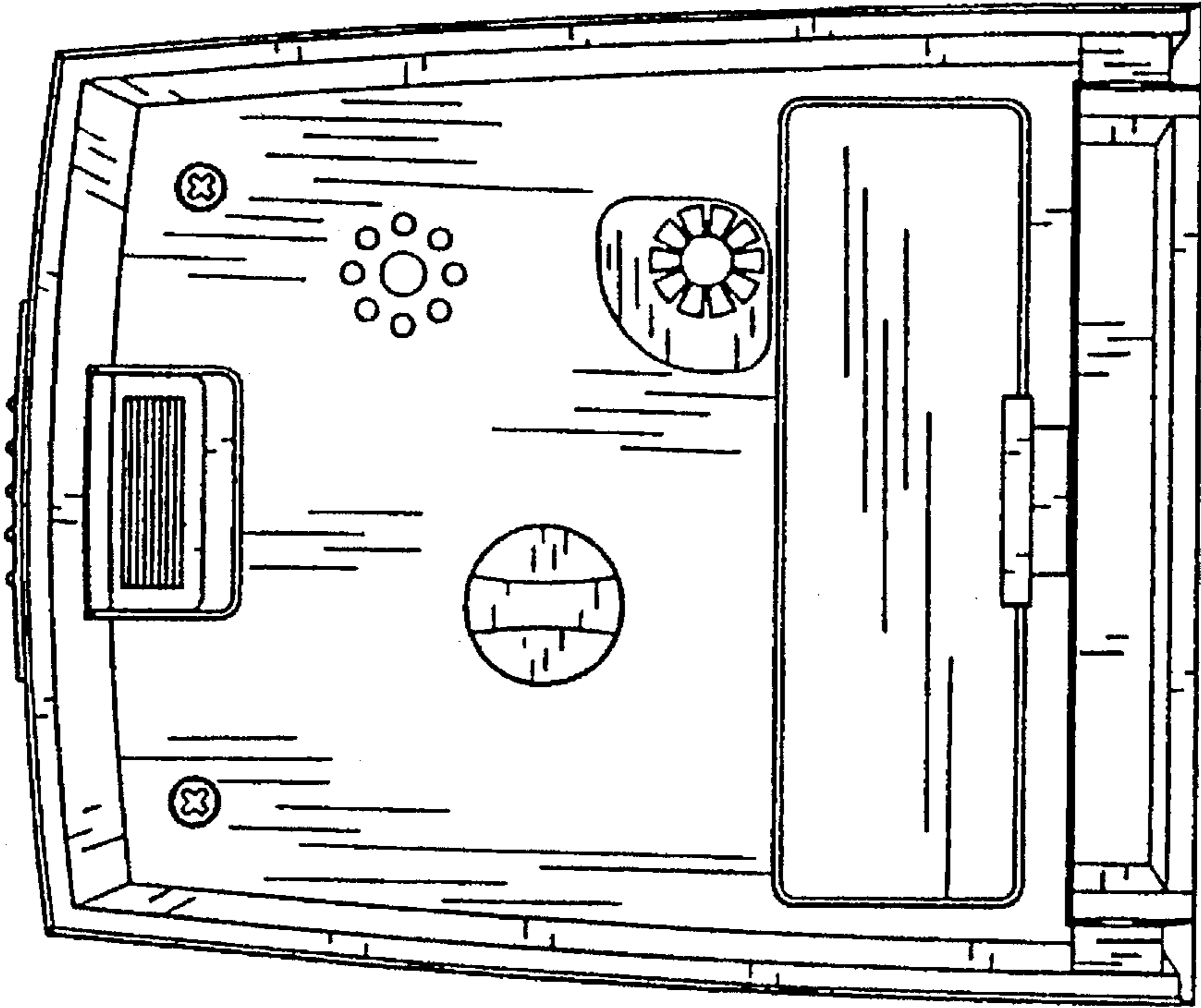


FIG. 8

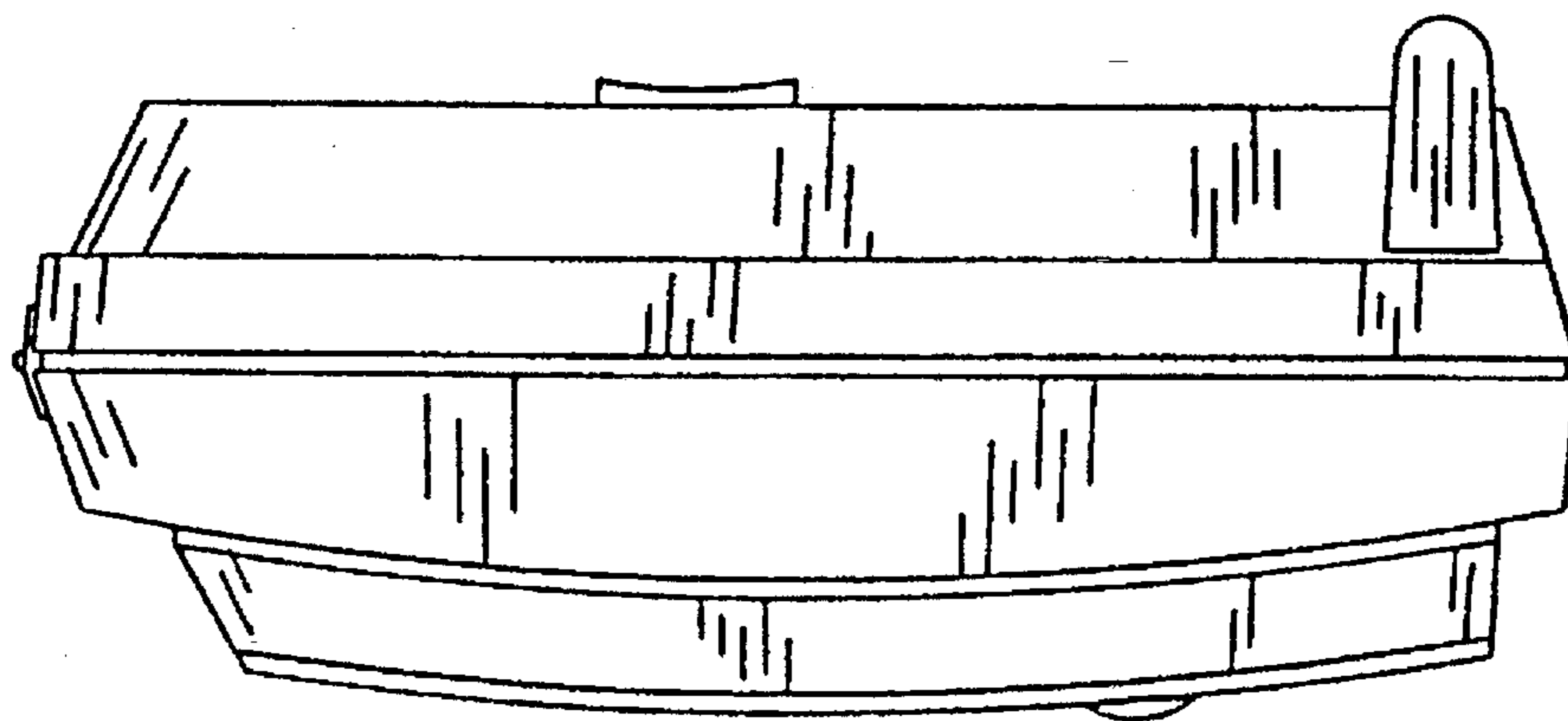


FIG. 9

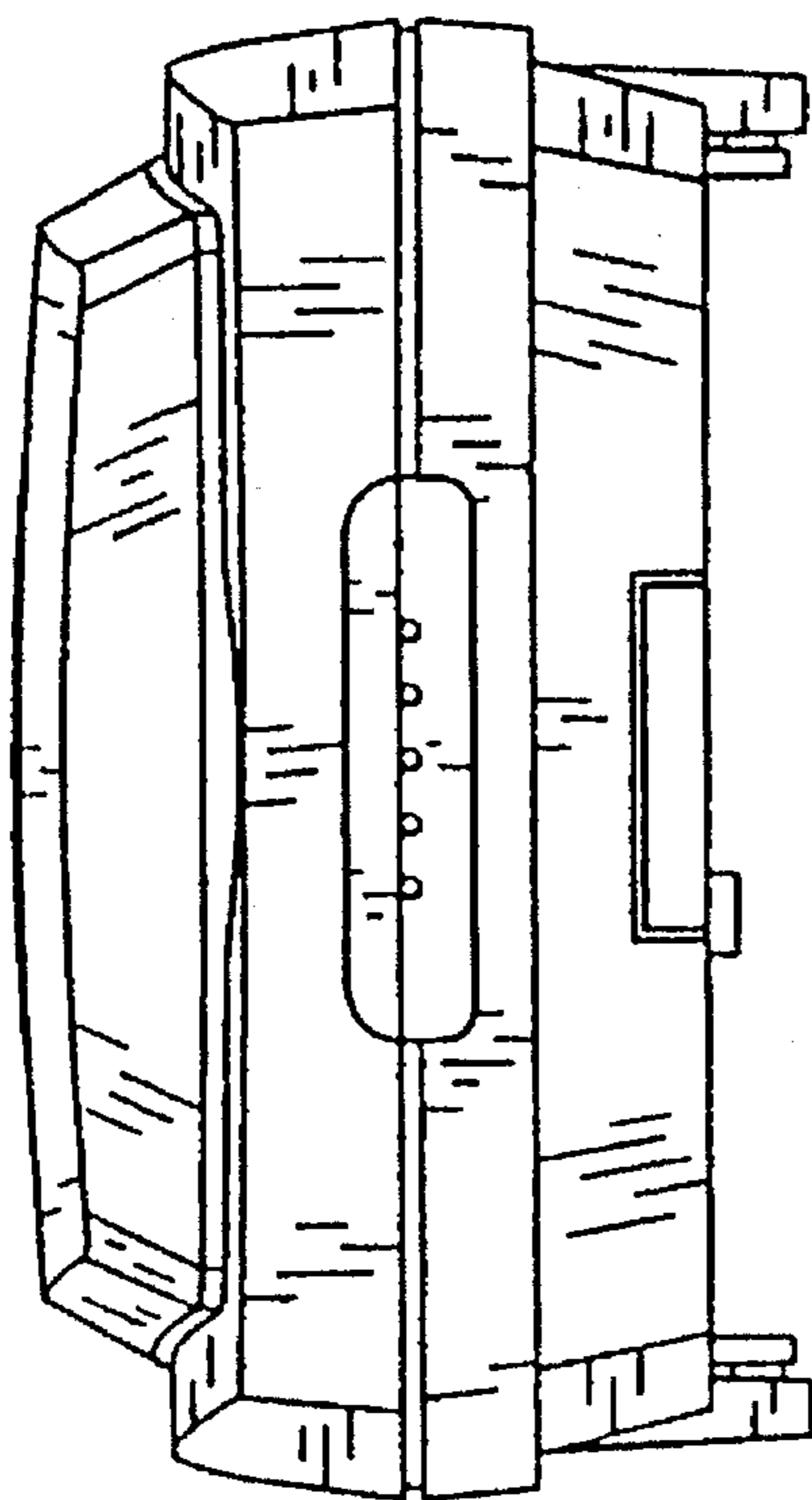


FIG. 10

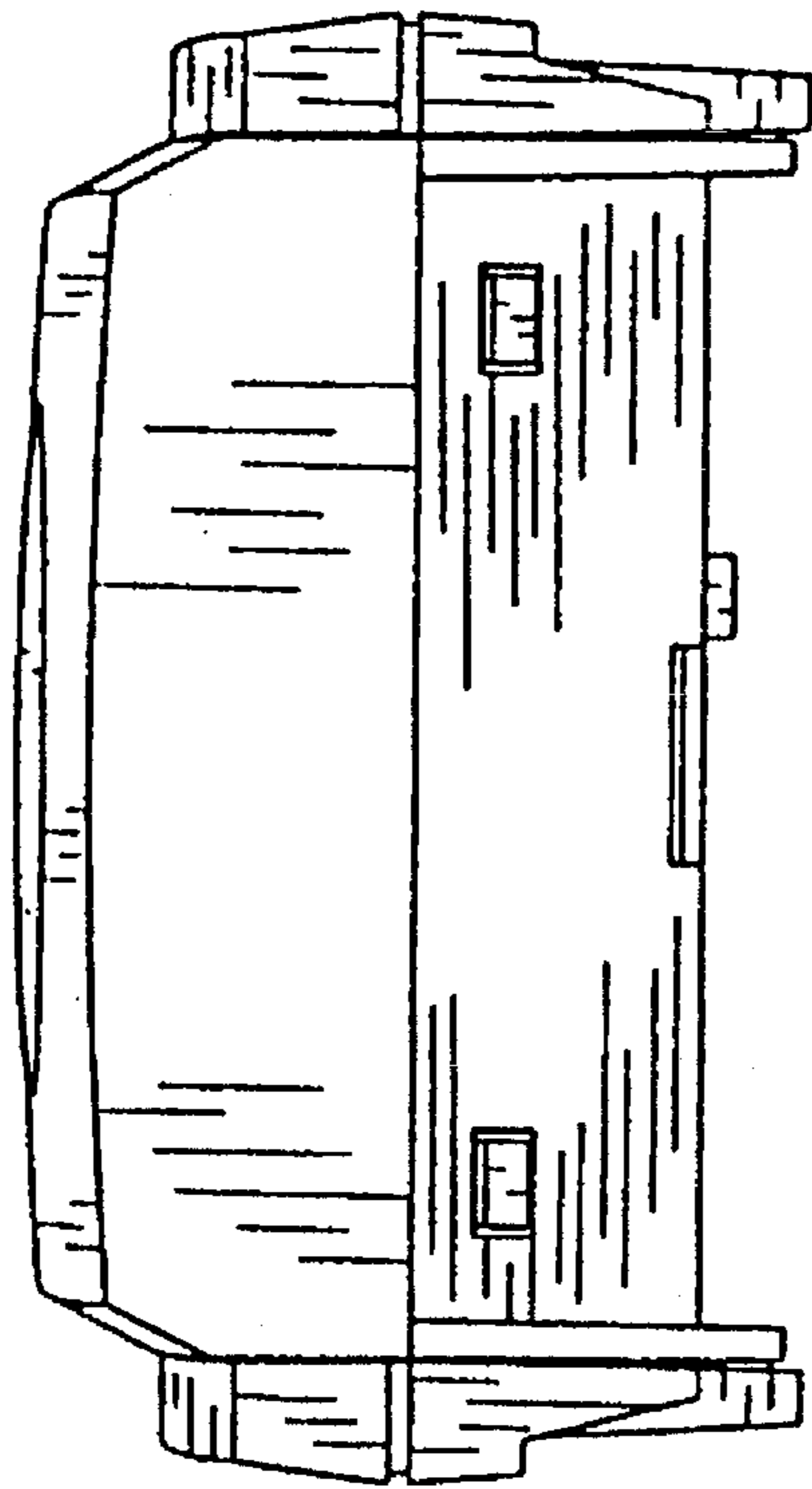


FIG. 11