



US00D375690S

United States Patent [19]

Plogman

[11] **Patent Number: Des. 375,690**

[45] **Date of Patent: **Nov. 19, 1996**

[54] **CLOCK**

[75] **Inventor: David Plogman, Decatur, Ga.**

[73] **Assignee: GTC Properties, Inc., Wilmington, Del.**

[**] **Term: 14 Years**

[21] **Appl. No.: 50,137**

[22] **Filed: Feb. 8, 1996**

[52] **U.S. Cl. D10/15**

[58] **Field of Search D10/1-40, 122-132; 368/223, 228-229, 232, 276-277, 280-282, 285, 28-30, 41-44, 239-242, 10**

[56] **References Cited**

U.S. PATENT DOCUMENTS

D. 248,554 7/1978 Hawkins D14/106

D. 252,026 6/1979 Calverley D14/100
D. 252,086 6/1979 Calverley D14/106
D. 261,512 10/1981 Kolwaite D10/2 X
D. 295,175 4/1988 Long D14/106 X

Primary Examiner—Nelson C. Holtje
Attorney, Agent, or Firm—Jones, Day, Reavis & Pogue

[57] **CLAIM**

The ornamental design for a clock, as shown and described.

DESCRIPTION

FIG. 1 is a perspective view of a clock of the present invention;
FIG. 2 is a right side elevational view of the clock of FIG. 1, the left side being a mirror image thereof;
FIG. 3 is a top plan view of the clock of FIG. 1;
FIG. 4 is a rear elevational view of the clock of FIG. 1; and,
FIG. 5 is a front elevational view of the clock of FIG. 1.

1 Claim, 2 Drawing Sheets

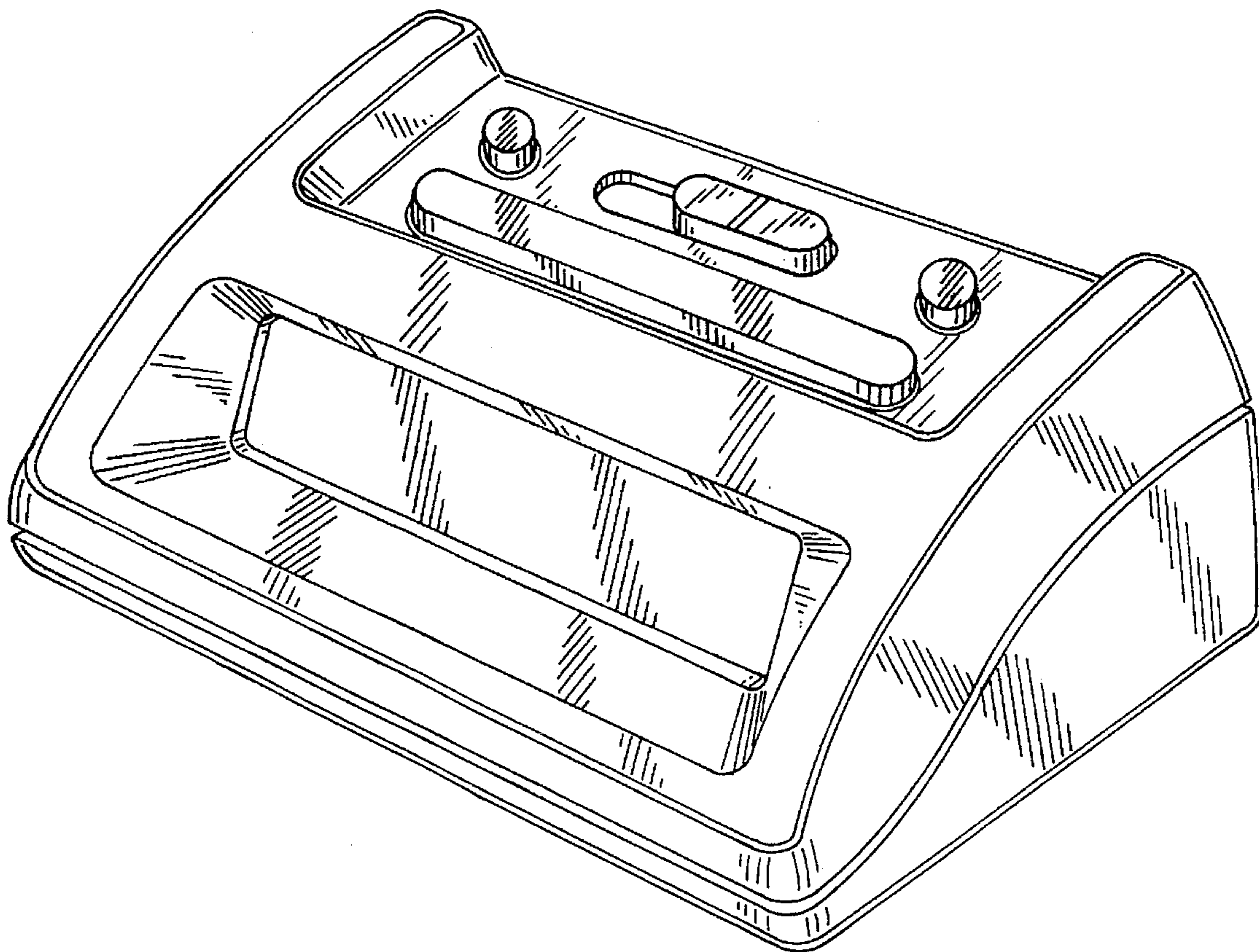


FIG. 1

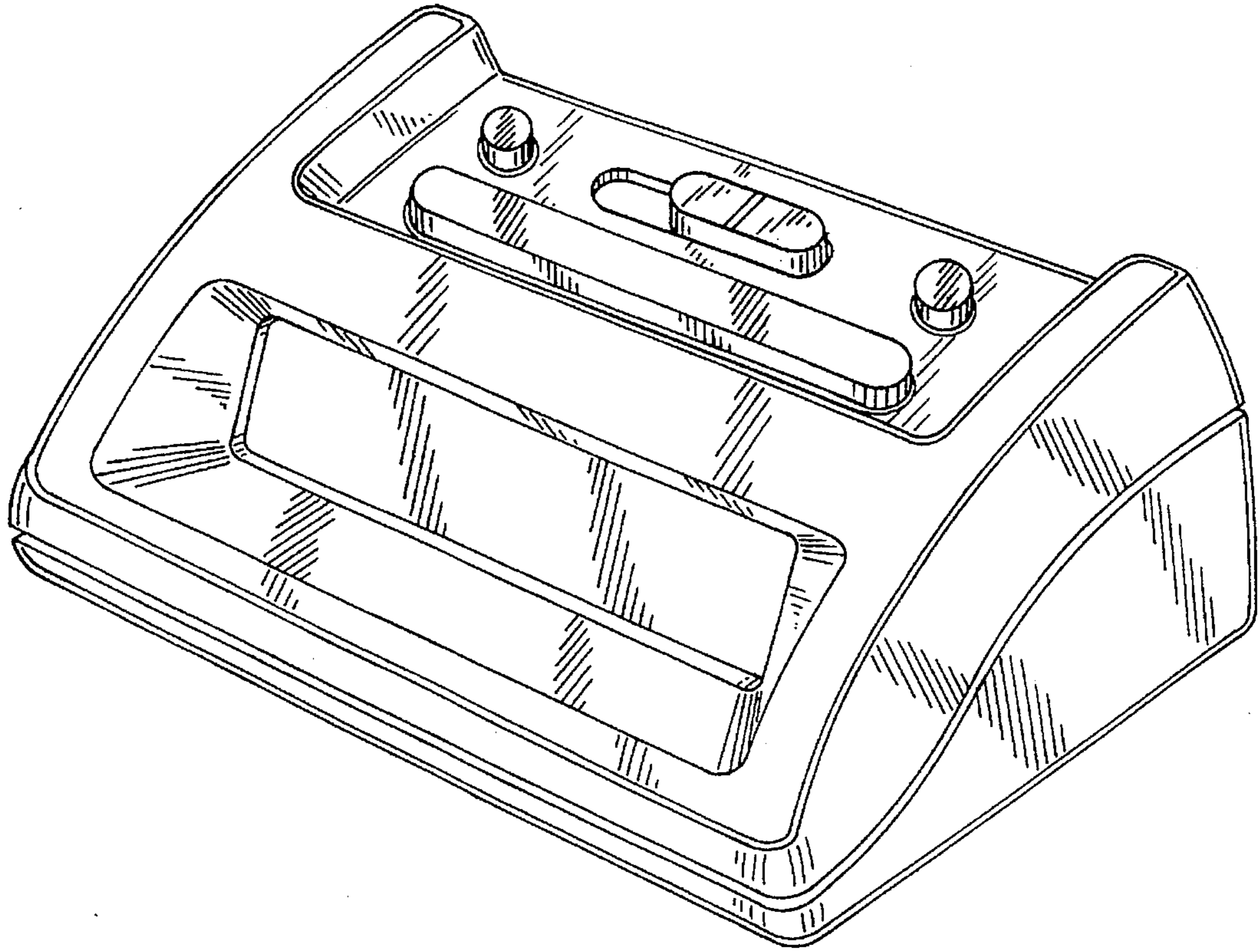


FIG. 2

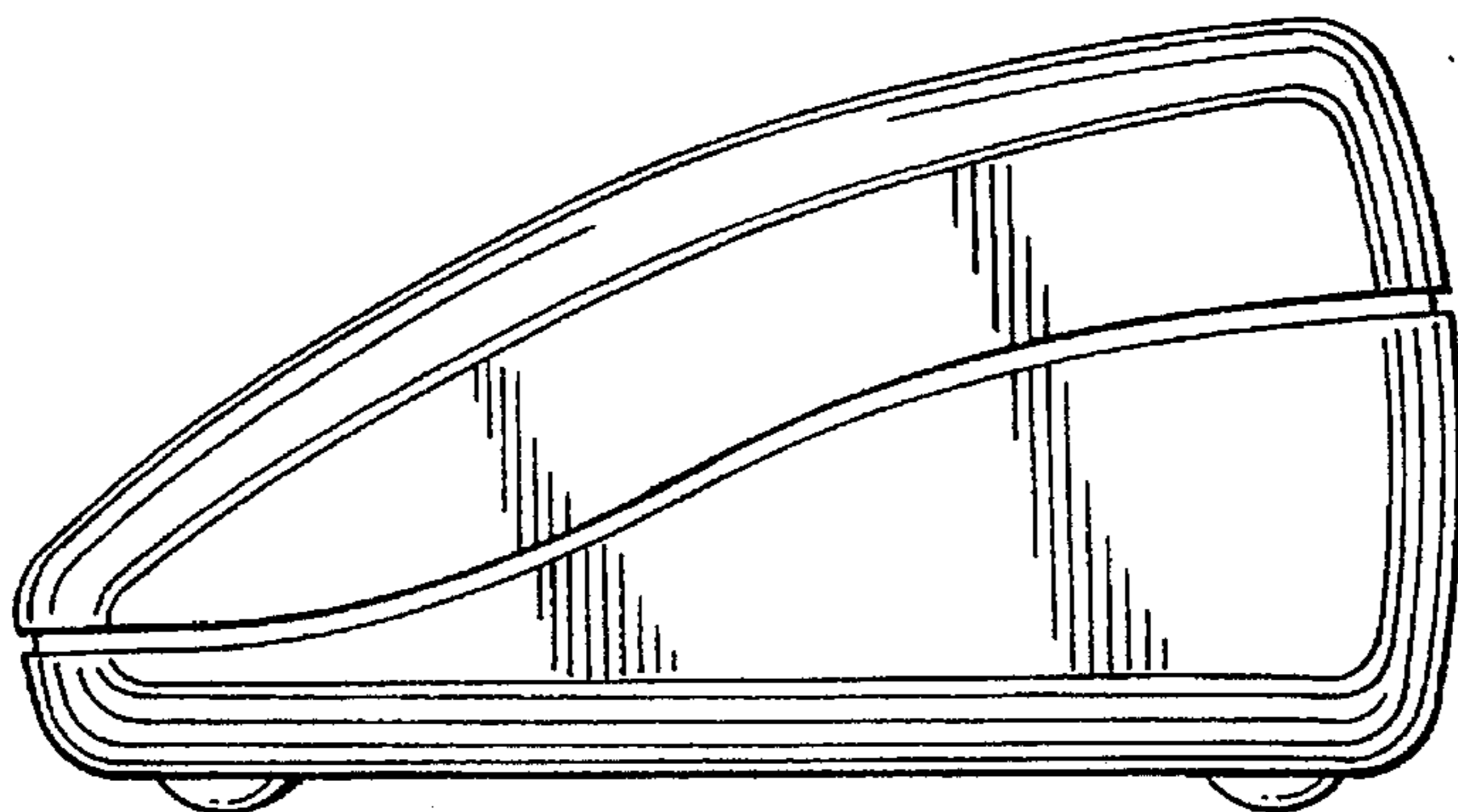


FIG. 3

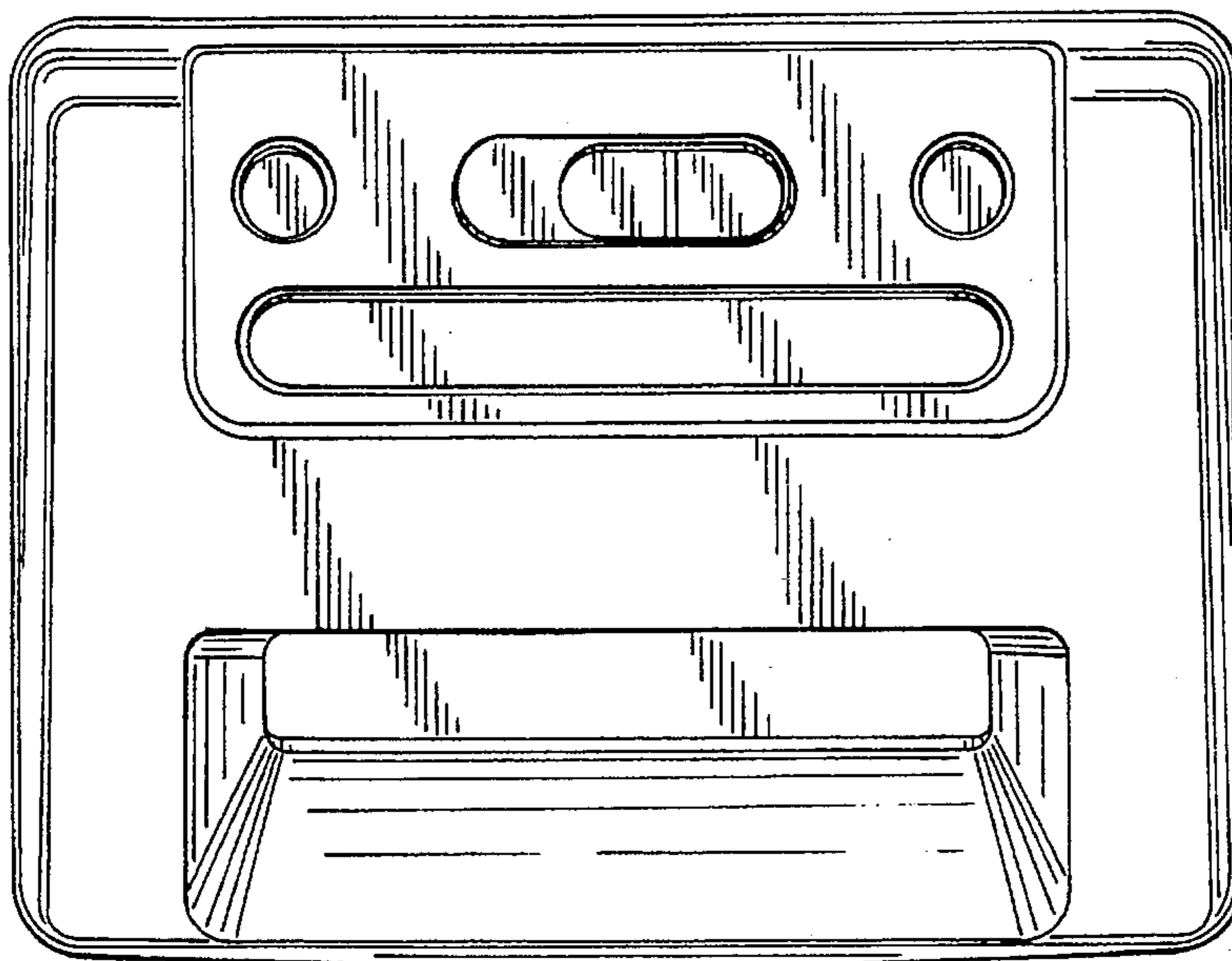


FIG. 4

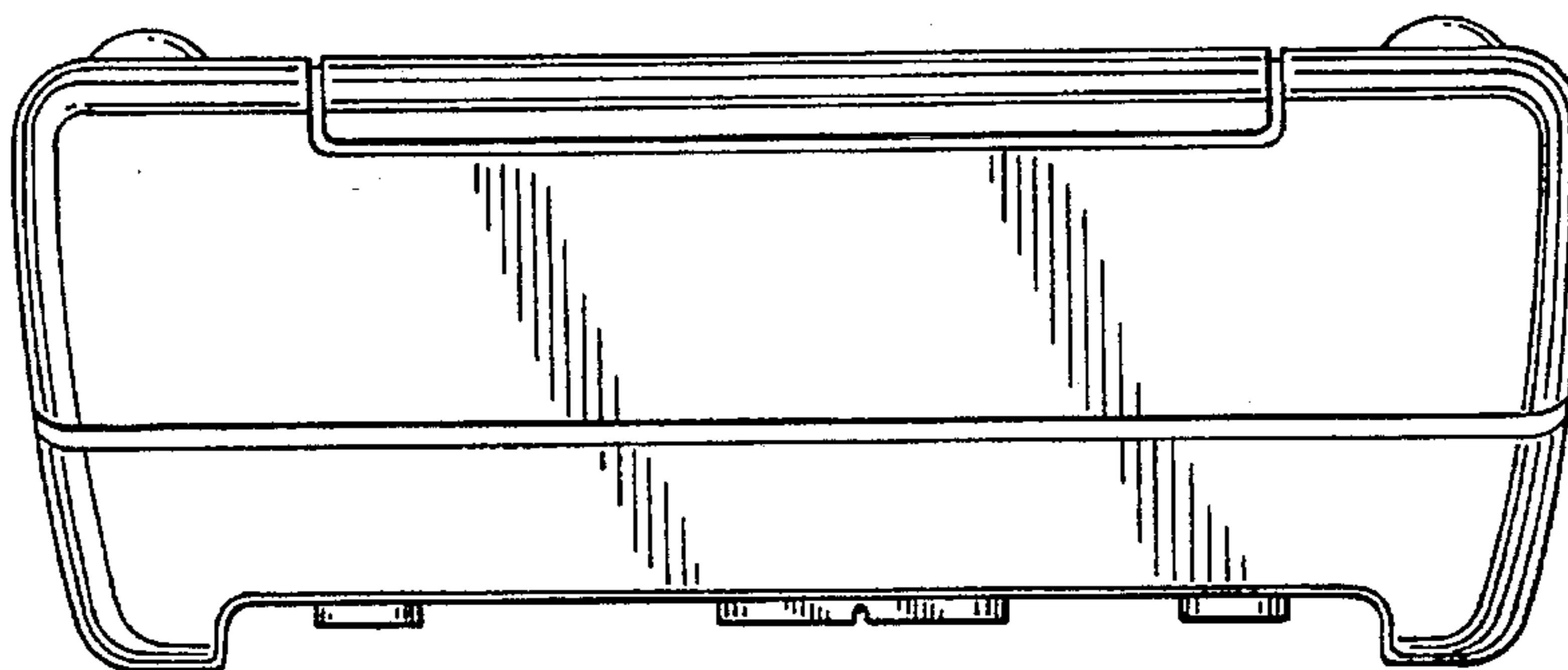


FIG. 5

