



US00D375683S

United States Patent [19] Schoff

[11] Patent Number: **Des. 375,683**
[45] Date of Patent: ****Nov. 19, 1996**

[54] **RIBBED CONTAINER**
[75] Inventor: **David C. Schoff**, Ripon, Wis.
[73] Assignee: **Packaging Corporation of America**,
Evanston, Ill.
[**] Term: **14 Years**

3,434,625 3/1969 Embry, Jr. 220/669 X
4,279,357 7/1981 Robinson .
4,473,165 9/1984 Lentjes 206/508 X
4,503,991 3/1985 Joyce .
4,753,351 6/1988 Guillin .
4,802,258 2/1989 Jensen .
5,012,928 5/1991 Proffitt et al. 206/508

[21] Appl. No.: **39,482**
[22] Filed: **May 26, 1995**
[52] U.S. Cl. **D9/429**
[58] Field of Search D9/428, 429, 420-425;
D7/527, 531, 629; 220/337, 339, 671, 352,
354, 668, 669, 683, 602, 608, 908, 662,
674, 675, 646, 647, 611-613; 206/508;
217/124, 40, 80, 33, 66, 122, 3 FC

OTHER PUBLICATIONS

Sample of Polar container, Polar Plastics Ltd., St. Laurent,
Quebec, Canada.
Sample of Dart Container, Dart Container Corp., Mason,
Michigan.
Pyrexware Corning 1972, p. 4, shown by arrow.

Primary Examiner—Prabhakar G. Deshmukh
Attorney, Agent, or Firm—Arnold, White & Durkee

[56] References Cited

[57] CLAIM

The ornamental design for a ribbed container, as shown and
described.

U.S. PATENT DOCUMENTS

DESCRIPTION

- D. 195,699 7/1963 Bostrom .
- D. 220,031 3/1971 Donovan .
- D. 250,929 1/1979 Gerstman et al. .
- D. 290,232 6/1987 Holzkopf et al. .
- D. 296,191 6/1988 Yoshida et al. D9/425
- D. 304,909 12/1989 Natori D9/423
- D. 328,705 8/1992 Krupa .
- D. 329,198 9/1992 Krupa .
- D. 345,305 3/1994 Host D9/423
- D. 349,832 8/1994 Samoff et al. D9/429 X
- D. 351,999 11/1994 Krupa D9/423
- 1,008,127 11/1911 Fellman et al. 217/122
- 1,765,301 6/1930 Dennison 217/124
- 3,047,190 7/1962 Bayer 220/646
- 3,082,900 3/1963 Goodman .
- 3,253,762 5/1966 Gaunt D9/425 X

FIG. 1 is a perspective view of a ribbed container showing
my new design;
FIG. 2 is a right side elevational view thereof, the left side
elevational view being a mirror image thereof;
FIG. 3 is a front elevational view thereof;
FIG. 4 is a rear elevational view thereof;
FIG. 5 is a top plan view thereof; and,
FIG. 6 is a bottom plan view thereof.
The characteristic feature of the design resides in the ribbing
structure on the side and bottom walls of the container.
The broken line showing of lid and hinge is for illustrative
purposes only and forms no part of the claim.

1 Claim, 3 Drawing Sheets

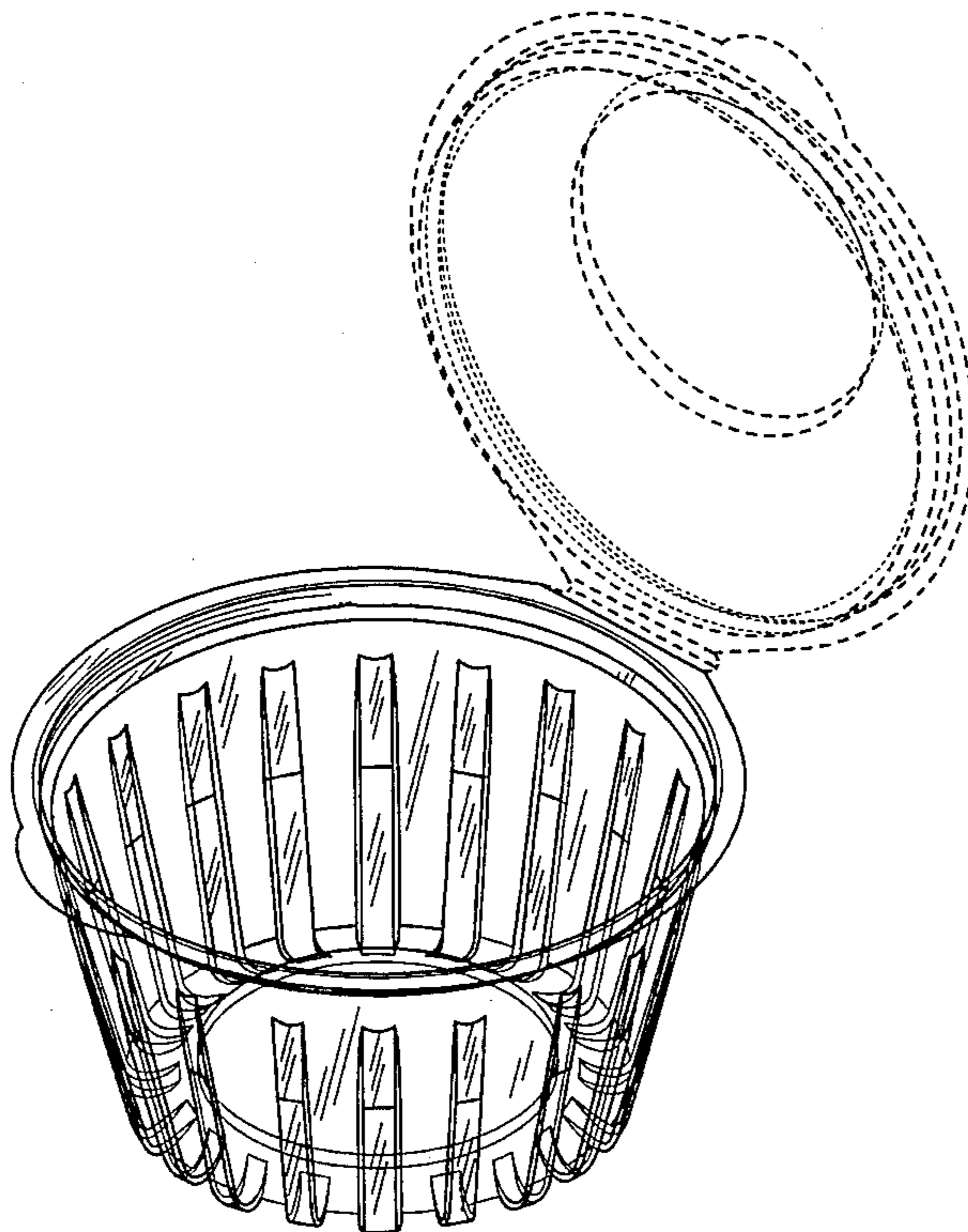


Fig. 1

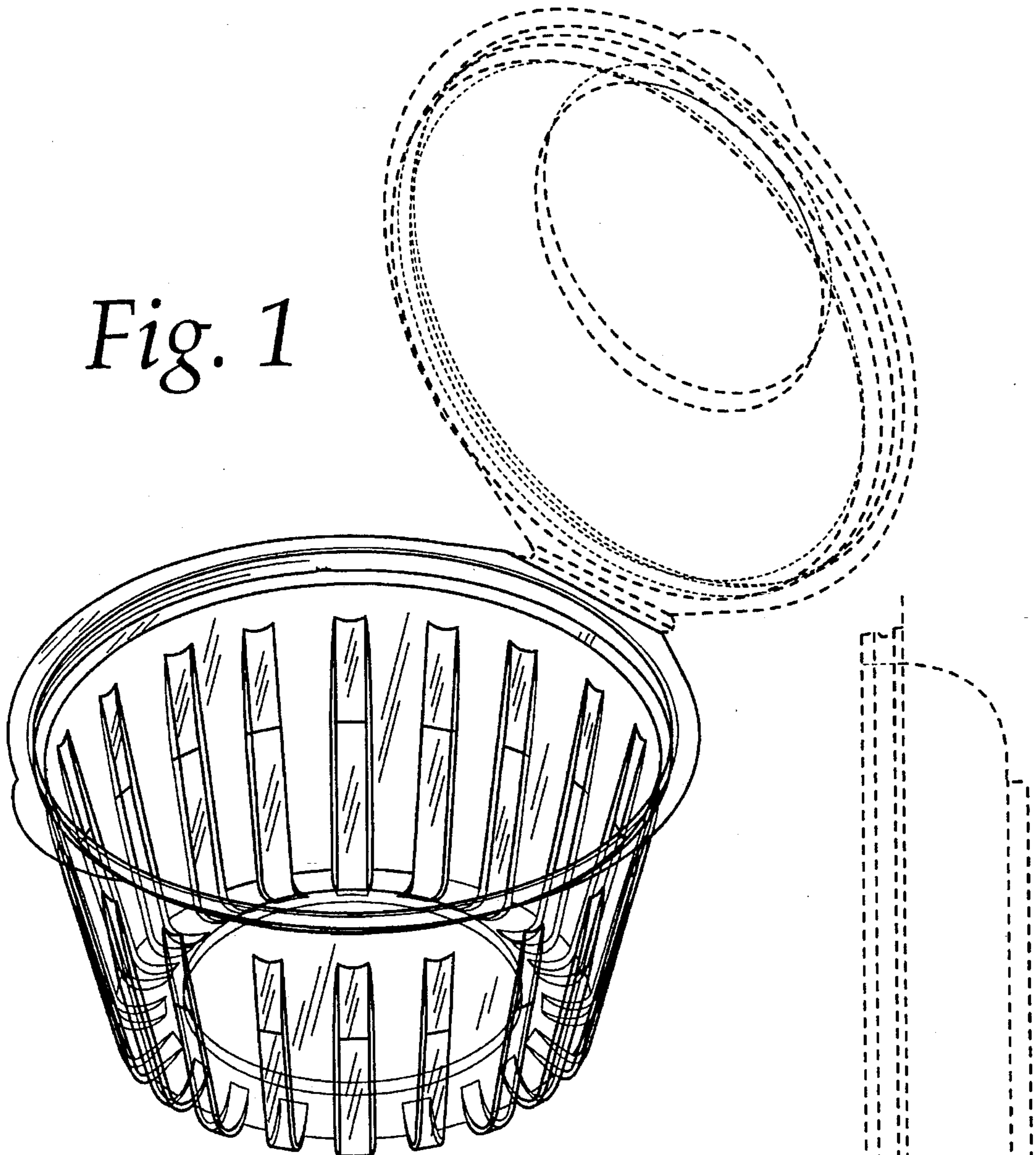


Fig. 2

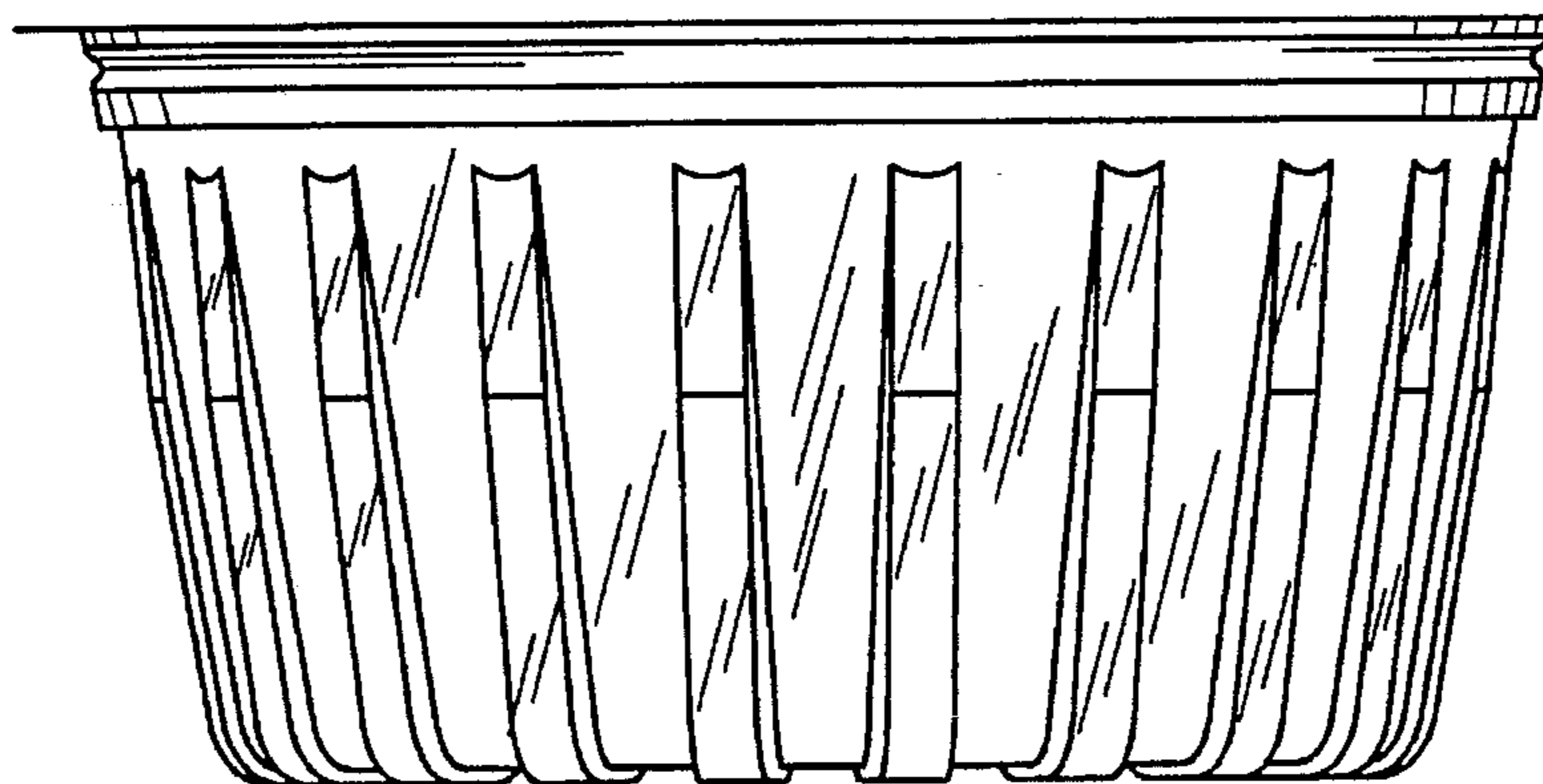


Fig. 3

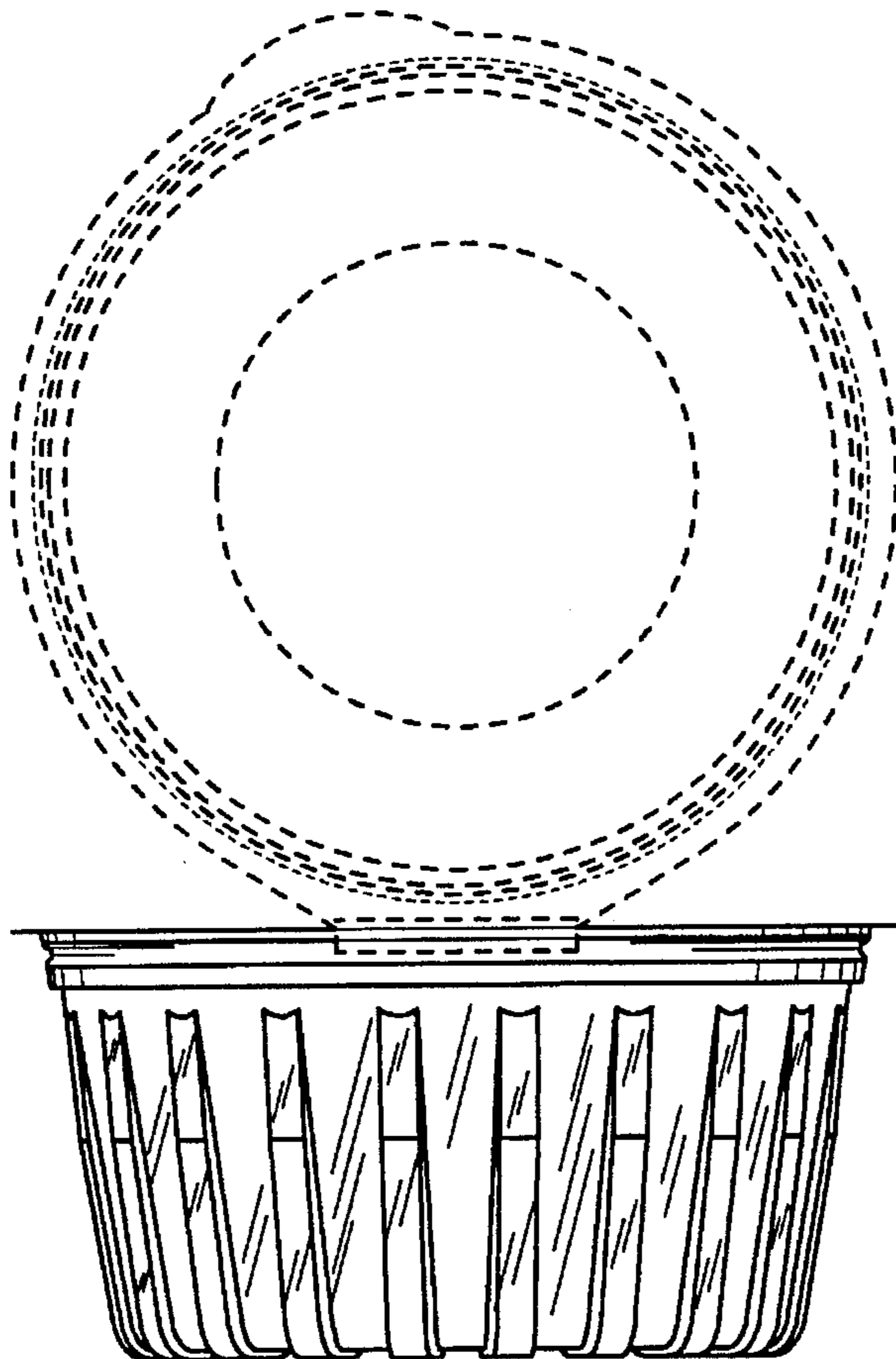
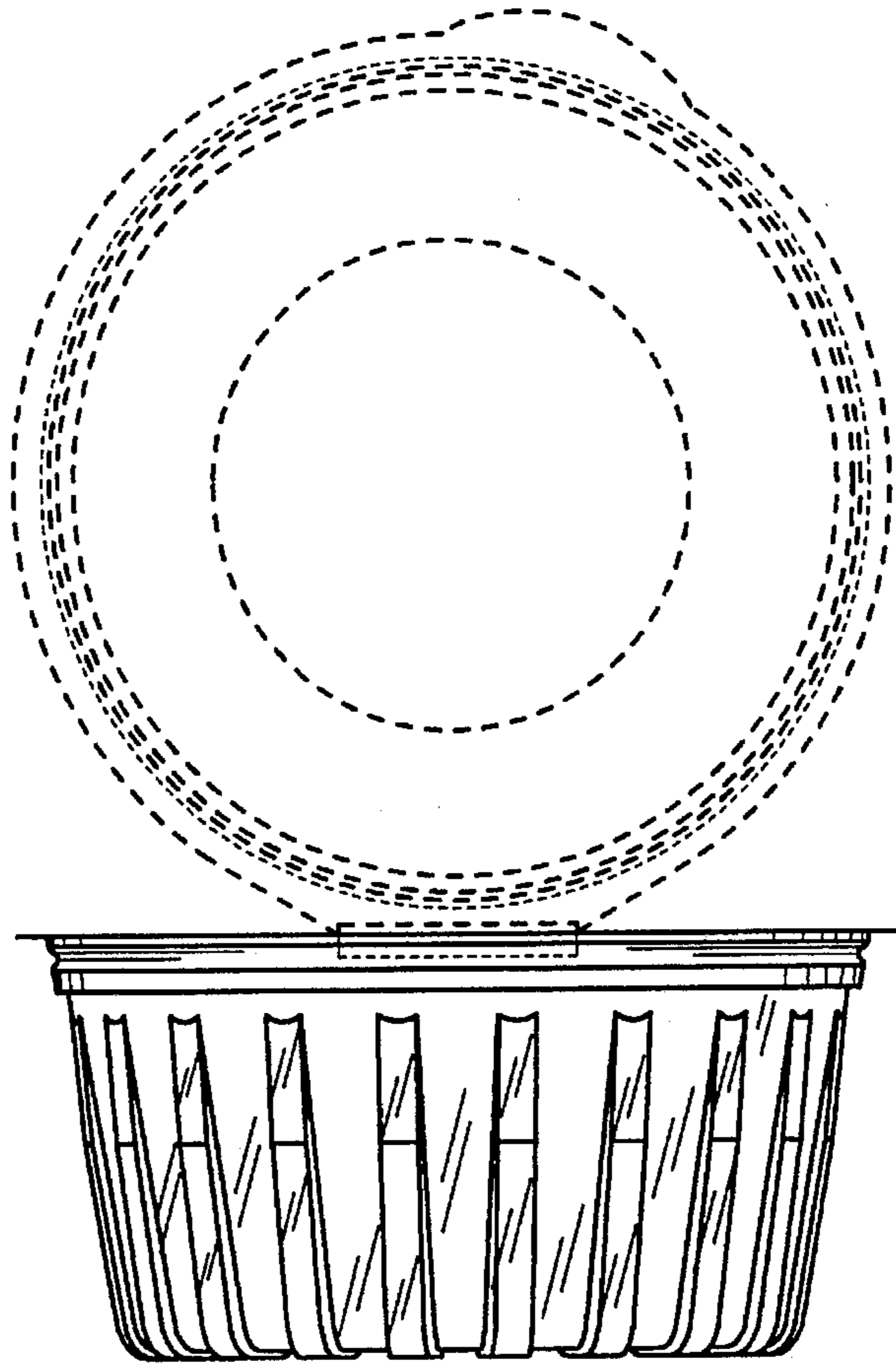


Fig. 4

Fig. 5

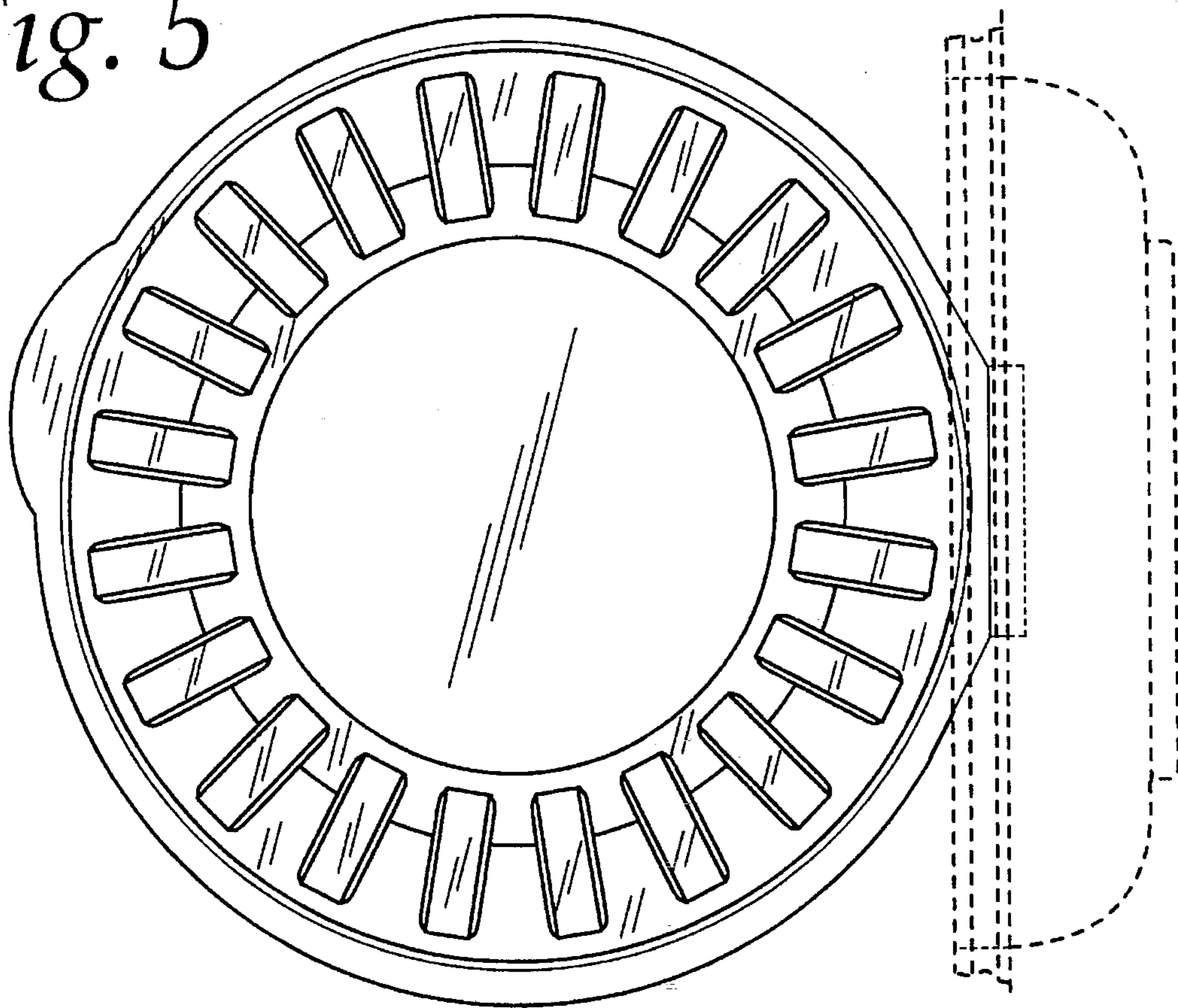


Fig. 6

