



US00D375679S

# United States Patent [19]

Russell

[11] Patent Number: **Des. 375,679**

[45] Date of Patent: **\*\*Nov. 19, 1996**

[54] **CANDY-DISPENSING DEVICE**

[75] Inventor: **Douglas R. Russell**, Louisville, Ky.

[73] Assignee: **Cap Toys Inc.**, Bedford Heights, Ohio

[\*\*] Term: **14 Years**

3,077,254 2/1963 Goldfarb .  
 3,615,596 10/1971 Petti .  
 3,679,208 7/1972 Carrano, Jr. et al. .  
 4,961,578 10/1990 Chateau .  
 5,004,122 4/1991 Poynter .  
 5,178,298 1/1993 Allina ..... 221/24  
 5,209,692 5/1993 Coleman et al. .  
 5,385,267 1/1995 Diamond et al. .... 221/24 X  
 5,452,822 9/1995 Haymond ..... 221/155

[21] Appl. No.: **43,752**

[22] Filed: **Sep. 7, 1995**

[52] U.S. Cl. .... **D9/339**; D20/7

[58] Field of Search ..... D9/339, 337, 307,  
 D9/341, 424, 418; D11/157, 158; D23/234,  
 215; 206/457; 221/24, 155, 266; D20/7,  
 3

### OTHER PUBLICATIONS

Avon Products, Inc., Nov. 1975, p. 54, Fire Hydrant-Shaped  
 Decanter.  
 Spin Pop® Candy, by Cap Toys, Inc., Oct. 1993.  
 Screw Ups® Candy Dispenser, by Cap Toys, Inc., Feb.  
 1995.

### [56] References Cited

#### U.S. PATENT DOCUMENTS

D. 249,333 9/1978 Stern ..... D9/339  
 D. 249,933 10/1978 Stern ..... D9/417  
 D. 264,595 5/1982 Lyons .  
 D. 282,109 1/1986 Golden et al. .... D23/234 X  
 D. 290,005 5/1987 O'Rourke .  
 D. 307,402 4/1990 Rouse, Jr. et al. .... D11/157  
 D. 316,276 4/1991 Weiner .  
 D. 333,681 3/1993 Stern .  
 625,179 5/1899 Lyons .  
 1,227,031 5/1917 Bartholomew .  
 2,135,606 11/1938 Stuve .  
 2,596,476 3/1952 Stough ..... D9/339 X  
 2,606,088 8/1952 Leaf .  
 2,627,698 2/1953 Wood .  
 2,731,767 1/1956 Holt .  
 2,759,632 8/1956 Ussery et al. .  
 2,766,123 10/1956 Moubayed .  
 2,799,587 7/1957 Schwartz .  
 2,874,496 2/1959 Rakes .  
 3,054,217 9/1962 D'Amato .

*Primary Examiner*—Prabhakar G. Deshmukh  
*Assistant Examiner*—Cheri Cohen  
*Attorney, Agent, or Firm*—Laff, Whitesel, Conte & Saret,  
 Ltd.

### [57] CLAIM

The ornamental design for the candy-dispensing device, as shown and described.

### DESCRIPTION

FIG. 1 is a perspective view of a candy dispensing device showing the new design;  
 FIG. 2 is an elevational view of the back side of the candy dispensing device;  
 FIG. 3 is a top plan view of the candy-dispensing device;  
 FIG. 4 is a bottom plan view thereof;  
 FIG. 5 is an elevational view of the front side thereof;  
 FIG. 6 is an elevational view of one of the sides thereof; and,  
 FIG. 7 is an elevational view of the other of the sides thereof.

1 Claim, 2 Drawing Sheets

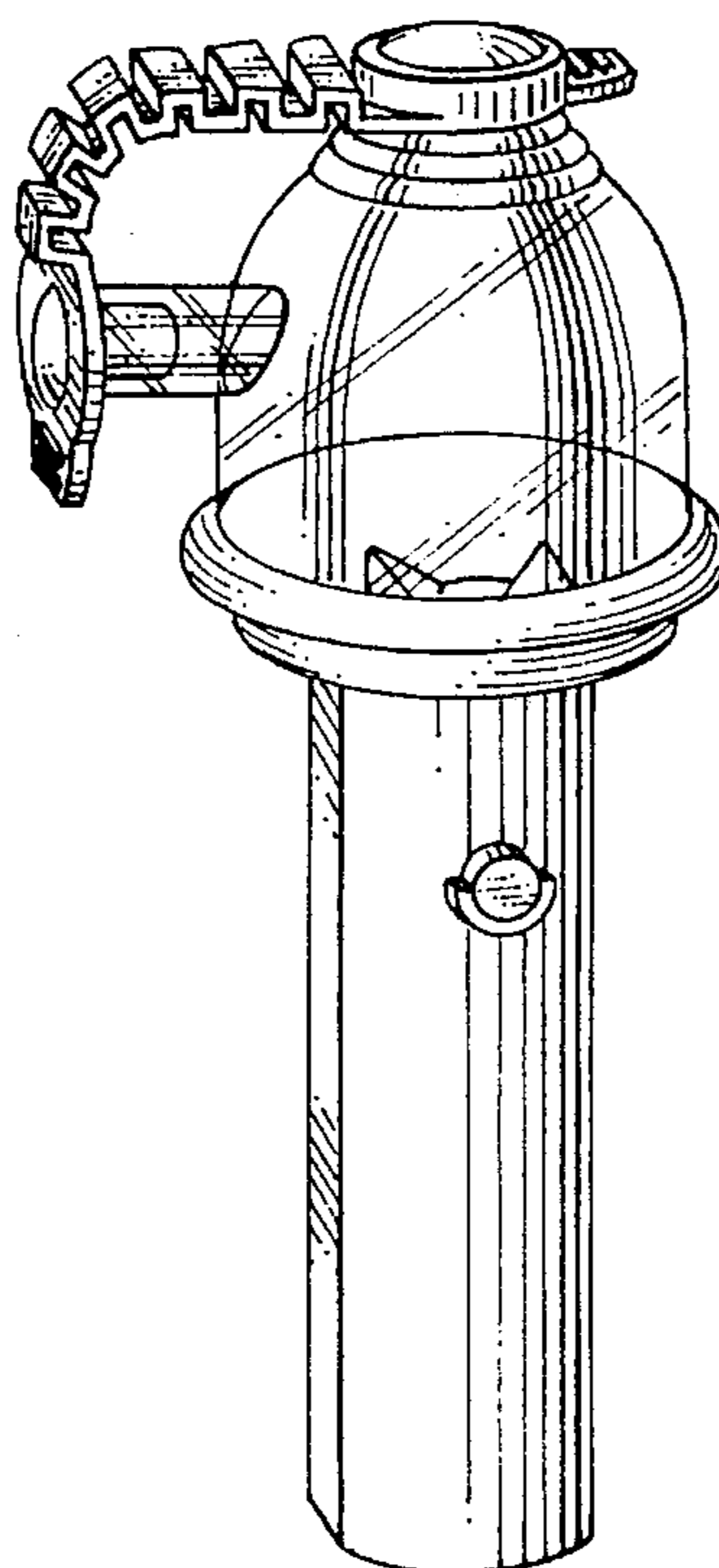


FIG. 1

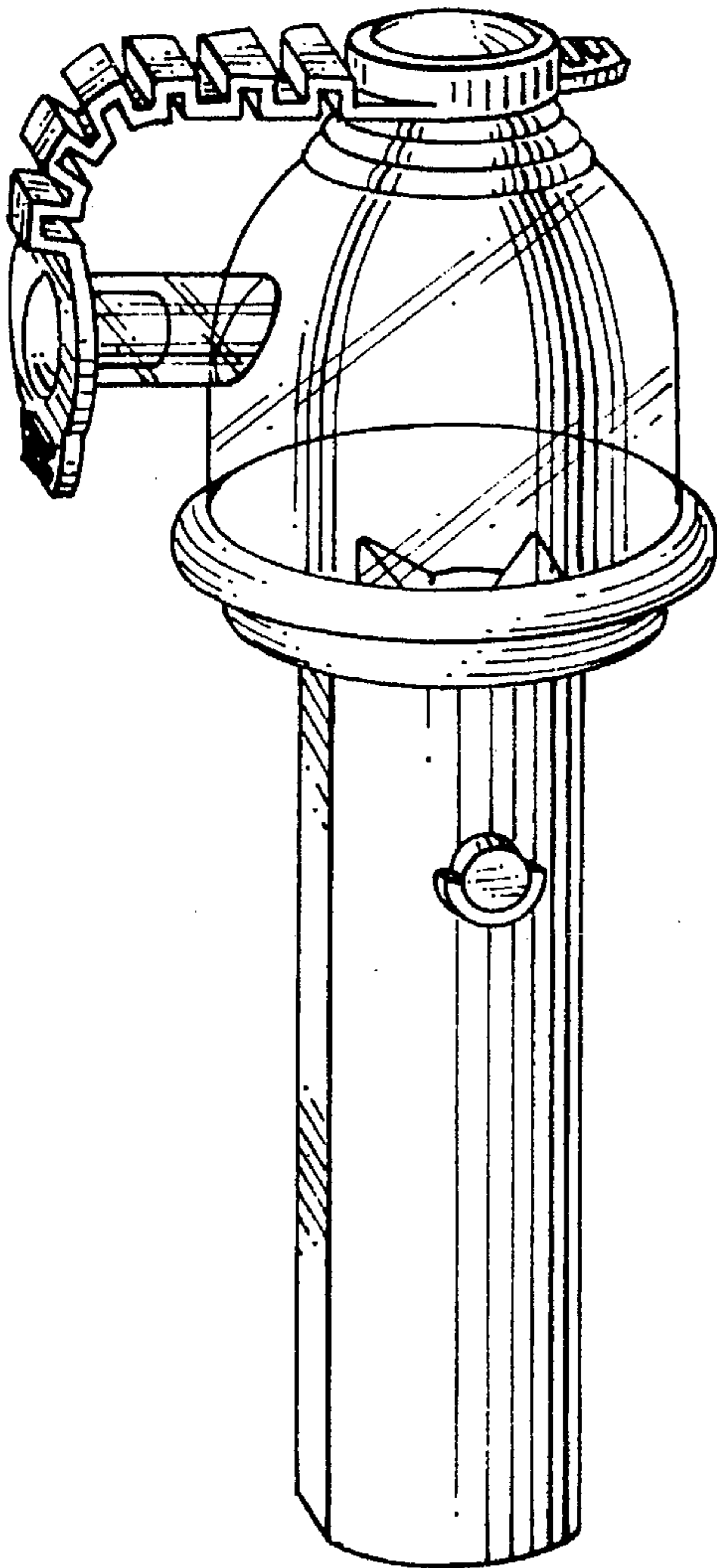


FIG. 2

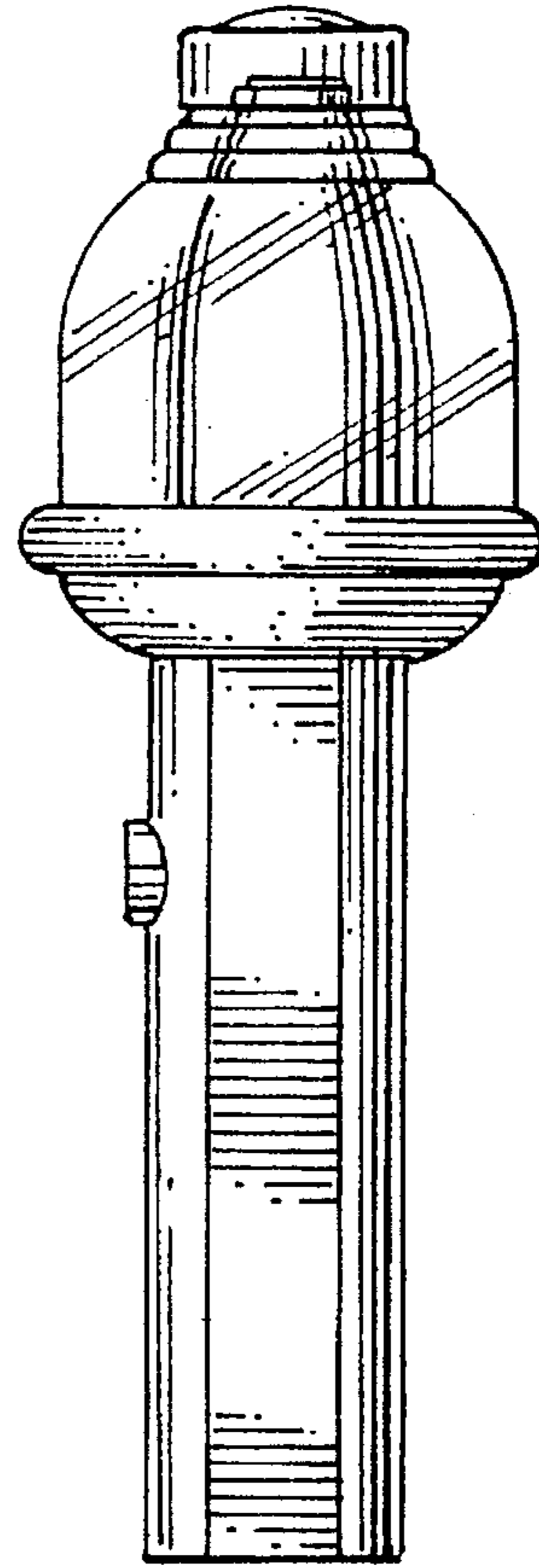


FIG. 3

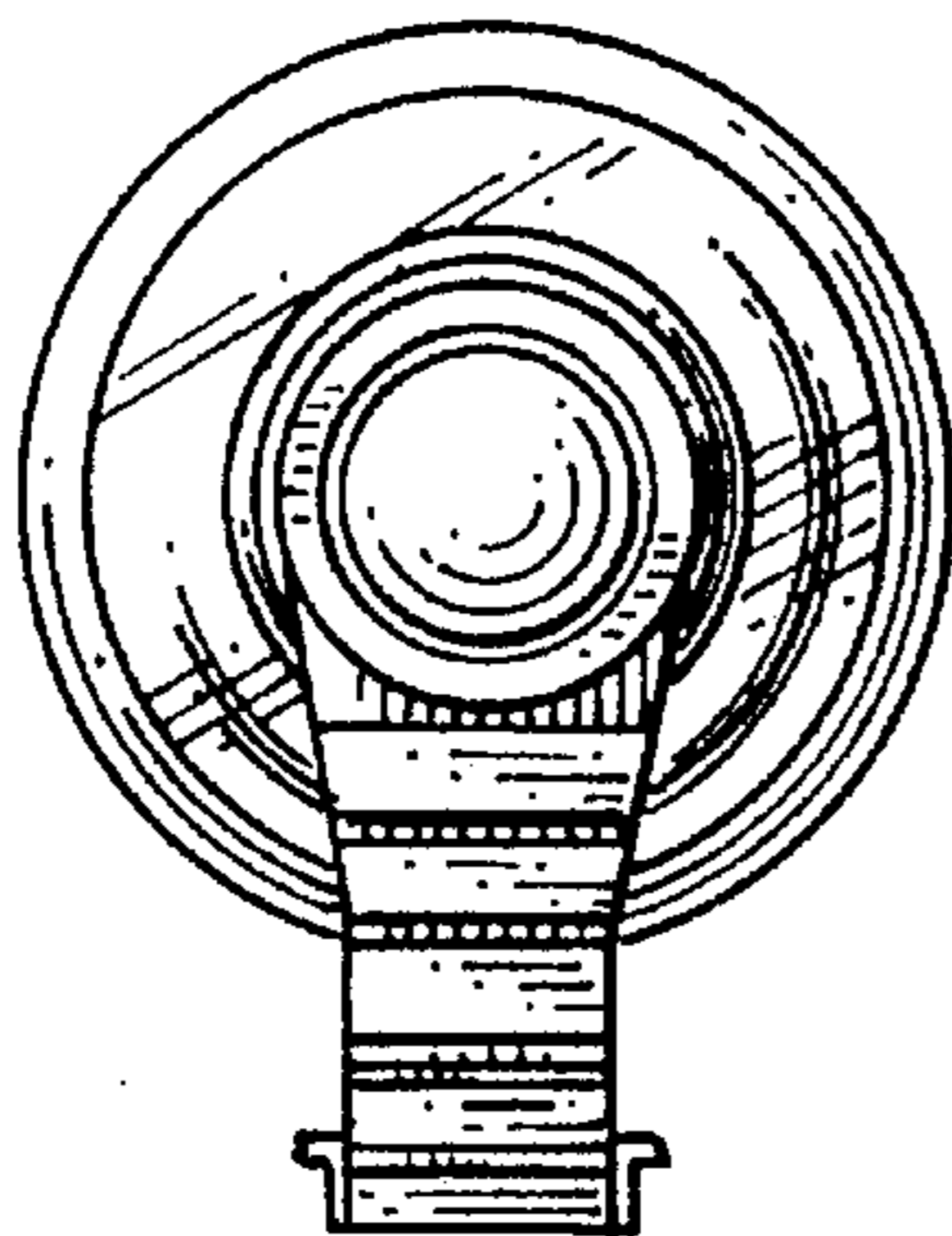


FIG. 4

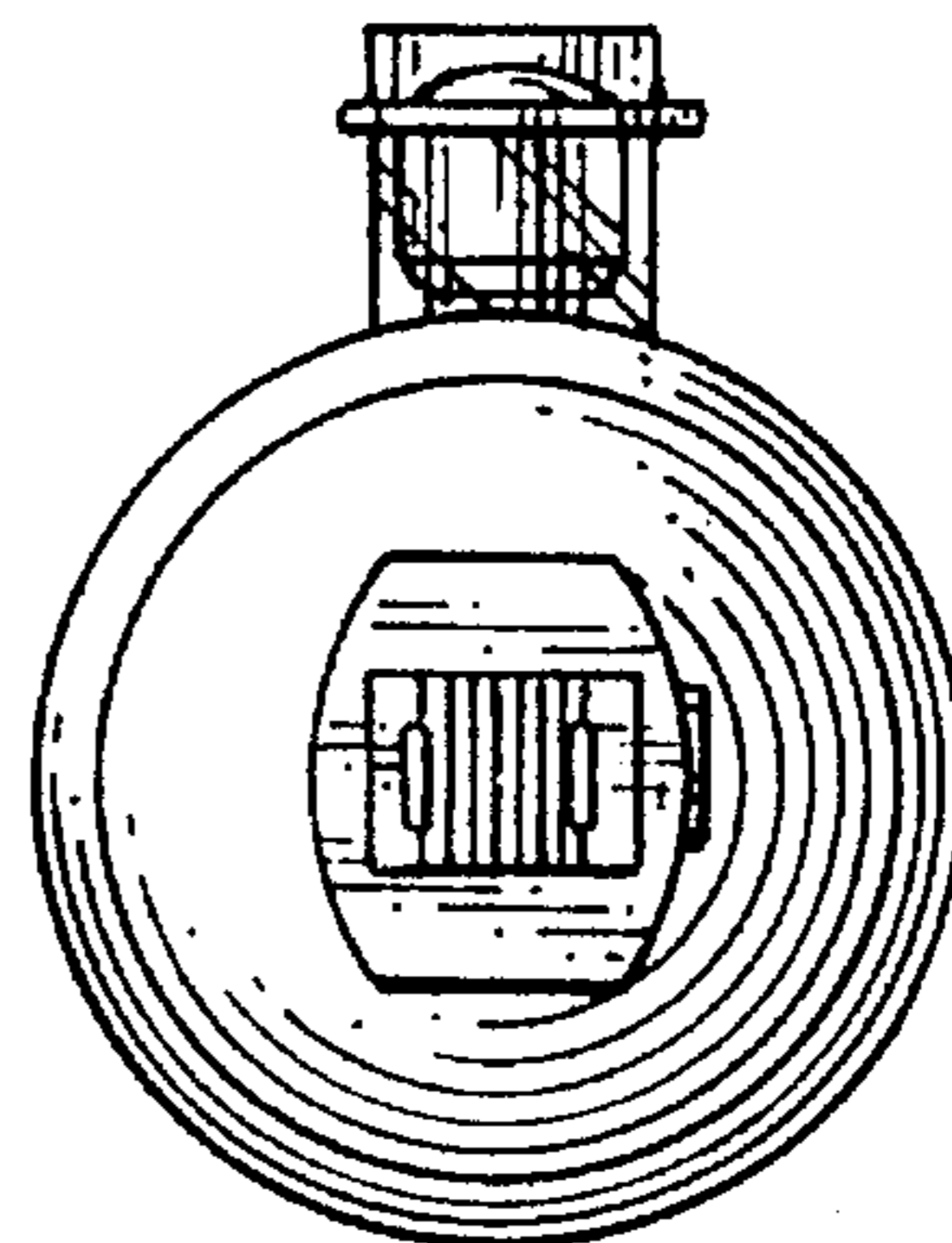


FIG. 5

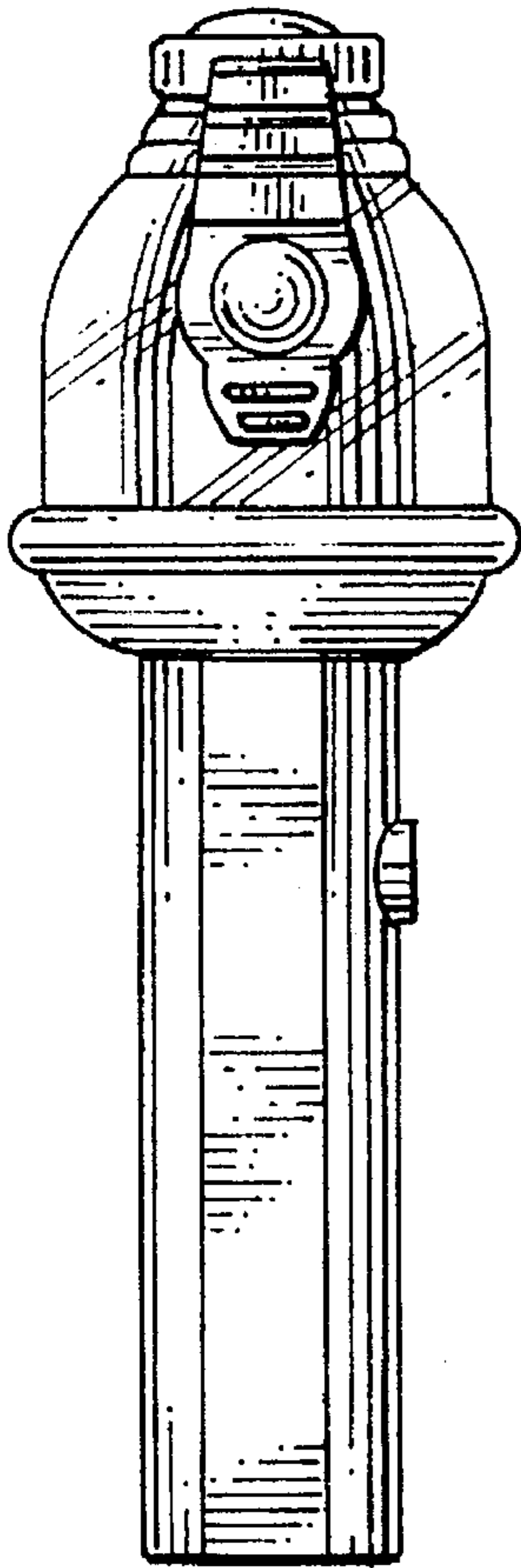


FIG. 6

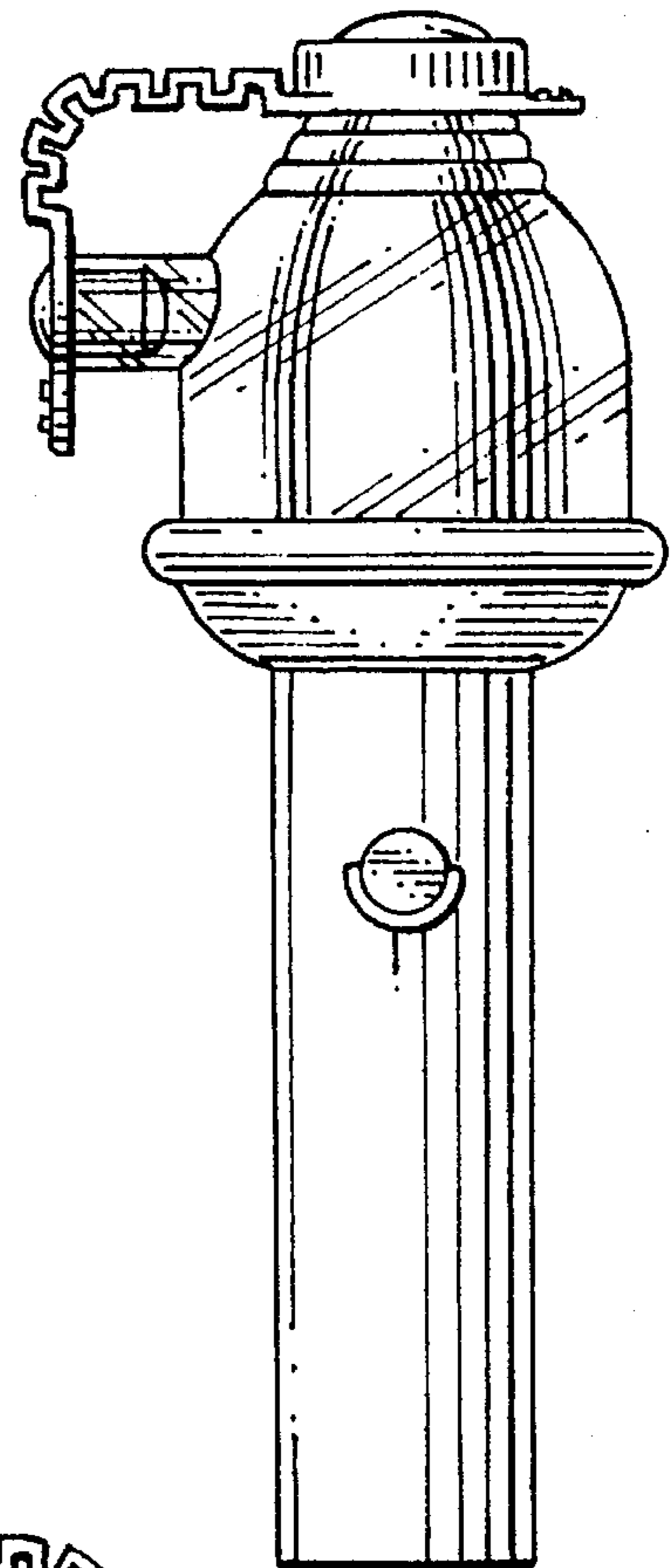


FIG. 7

