



US00D375672S

# United States Patent [19]

Good

[11] Patent Number: **Des. 375,672**

[45] Date of Patent: **\*\*Nov. 19, 1996**

## [54] MIRROR SUPPORT

[76] Inventor: **Glendon R. Good**, 2000 Second St., Berkeley, Calif. 94710

[\*\*] Term: **14 Years**

[21] Appl. No.: **38,160**

[22] Filed: **Apr. 28, 1995**

[52] U.S. Cl. .... **D8/354**

[58] Field of Search ..... D8/349, 354, 363; 248/544, 475.1, 479, 476; D6/467, 300, 302, 309; D12/187

## [56] References Cited

### U.S. PATENT DOCUMENTS

D. 225,285	11/1972	Heckathorn .....	D6/309
D. 298,183	10/1988	Bruse .....	D6/300
D. 341,722	11/1993	Carranza .....	D6/309

Primary Examiner—Holly H. Baynham

## [57] CLAIM

The ornamental design for a mirror support, as shown and described.

## DESCRIPTION

FIG. 1 is a side elevational view of a mirror support showing my new design with the opposite side view being a mirror image thereof;

FIG. 2 is a bottom plan view thereof with the top view being identical in appearance;

FIG. 3 is an end elevational view thereof;

FIG. 4 is a perspective view in an alternate position;

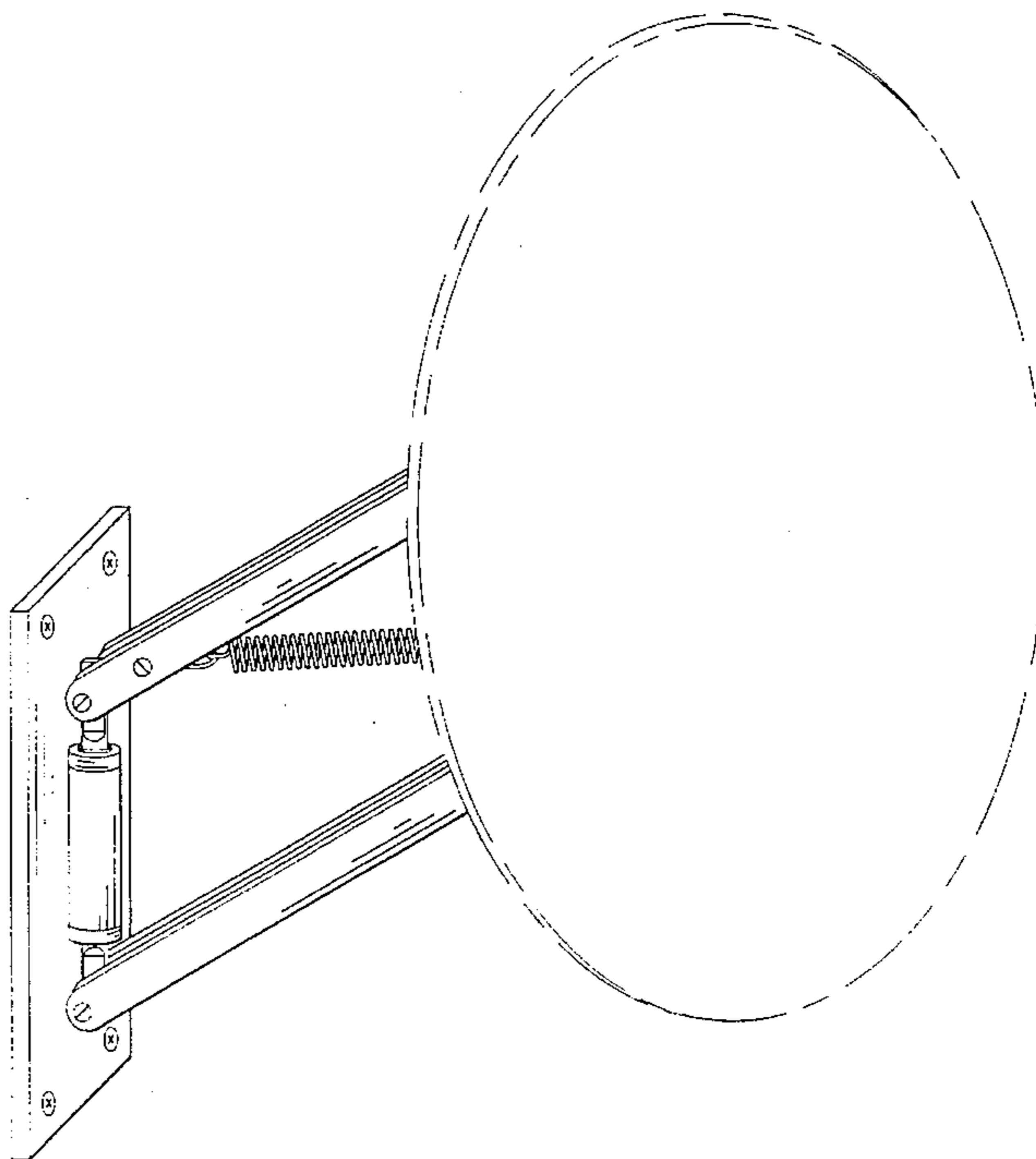
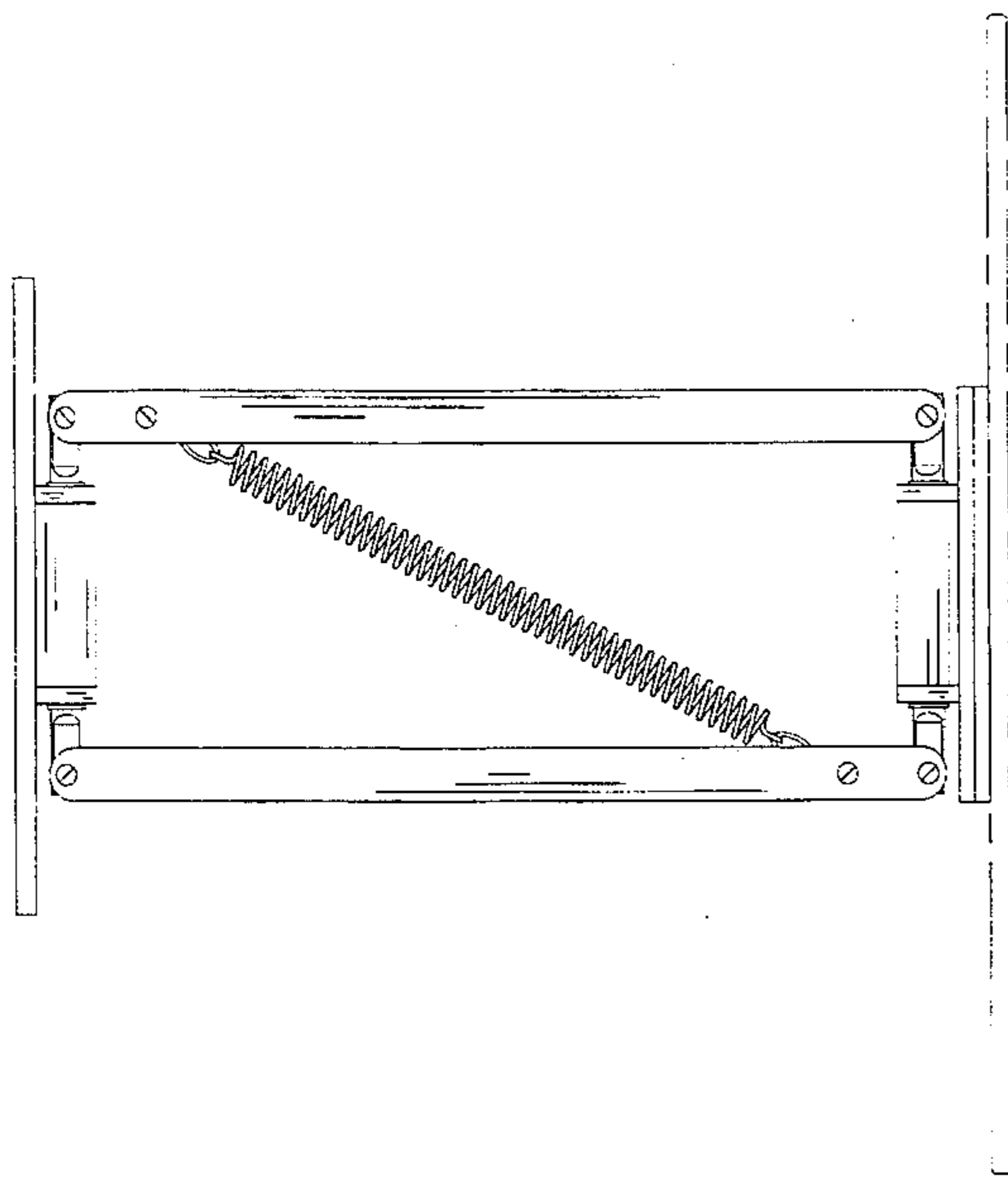
FIG. 5 is a side, slightly in perspective view thereof; and,

FIG. 6 is a top plan view.

The broken line showing of a mirror is for illustrative purposes only and forms no part of the claimed design.

The undisclosed opposite end forms no part of the claimed design.

1 Claim, 3 Drawing Sheets



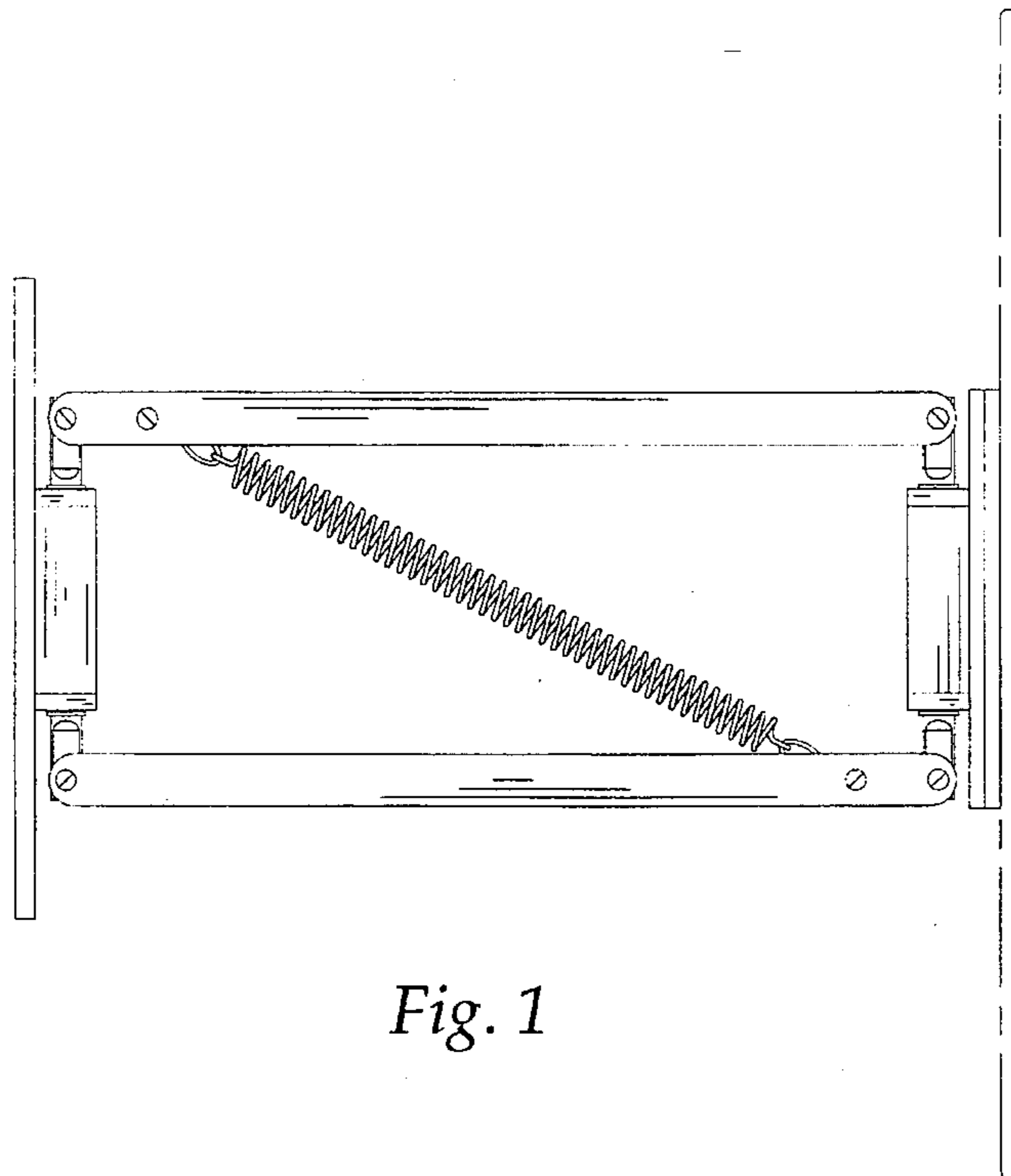


Fig. 1

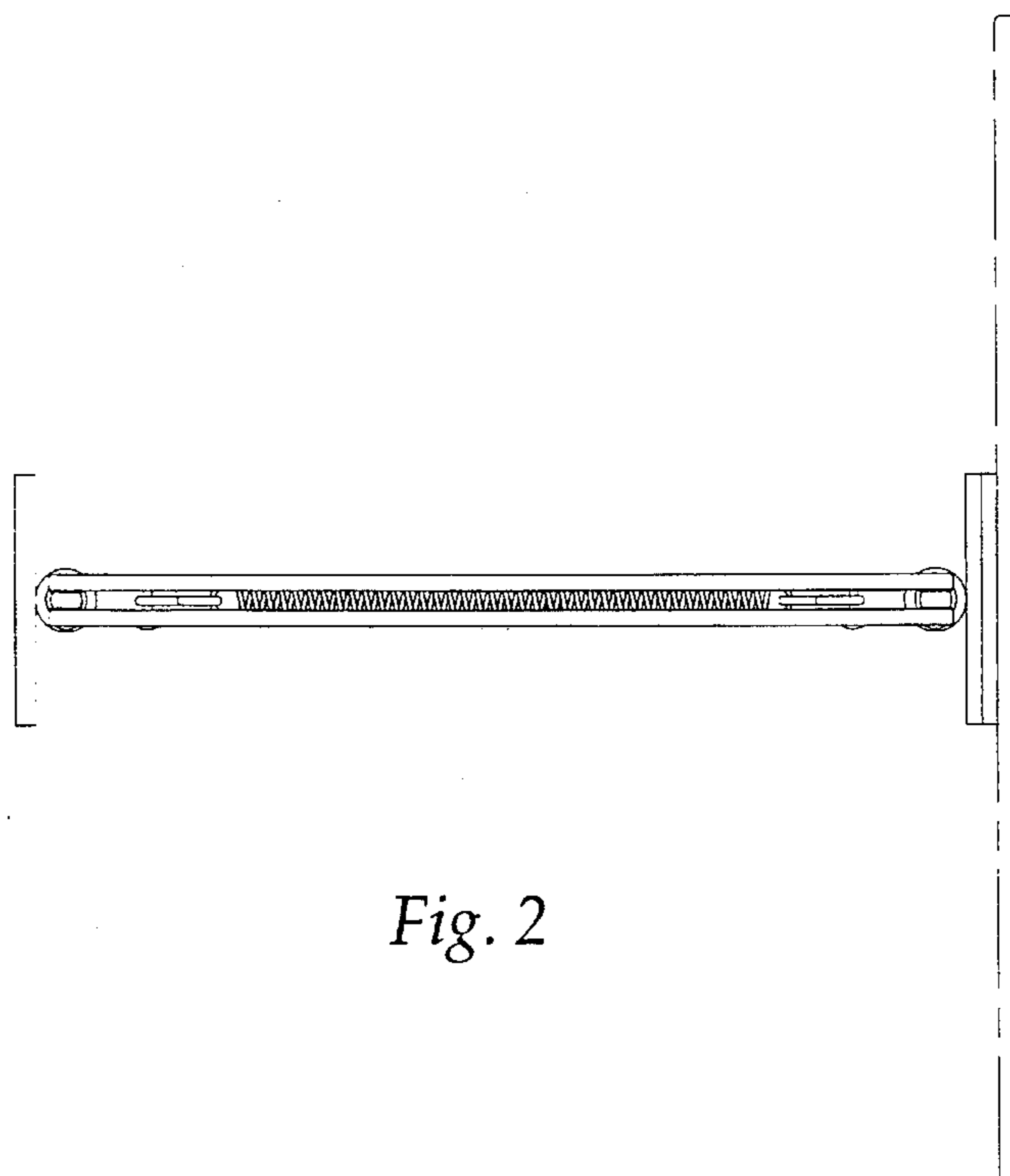


Fig. 2

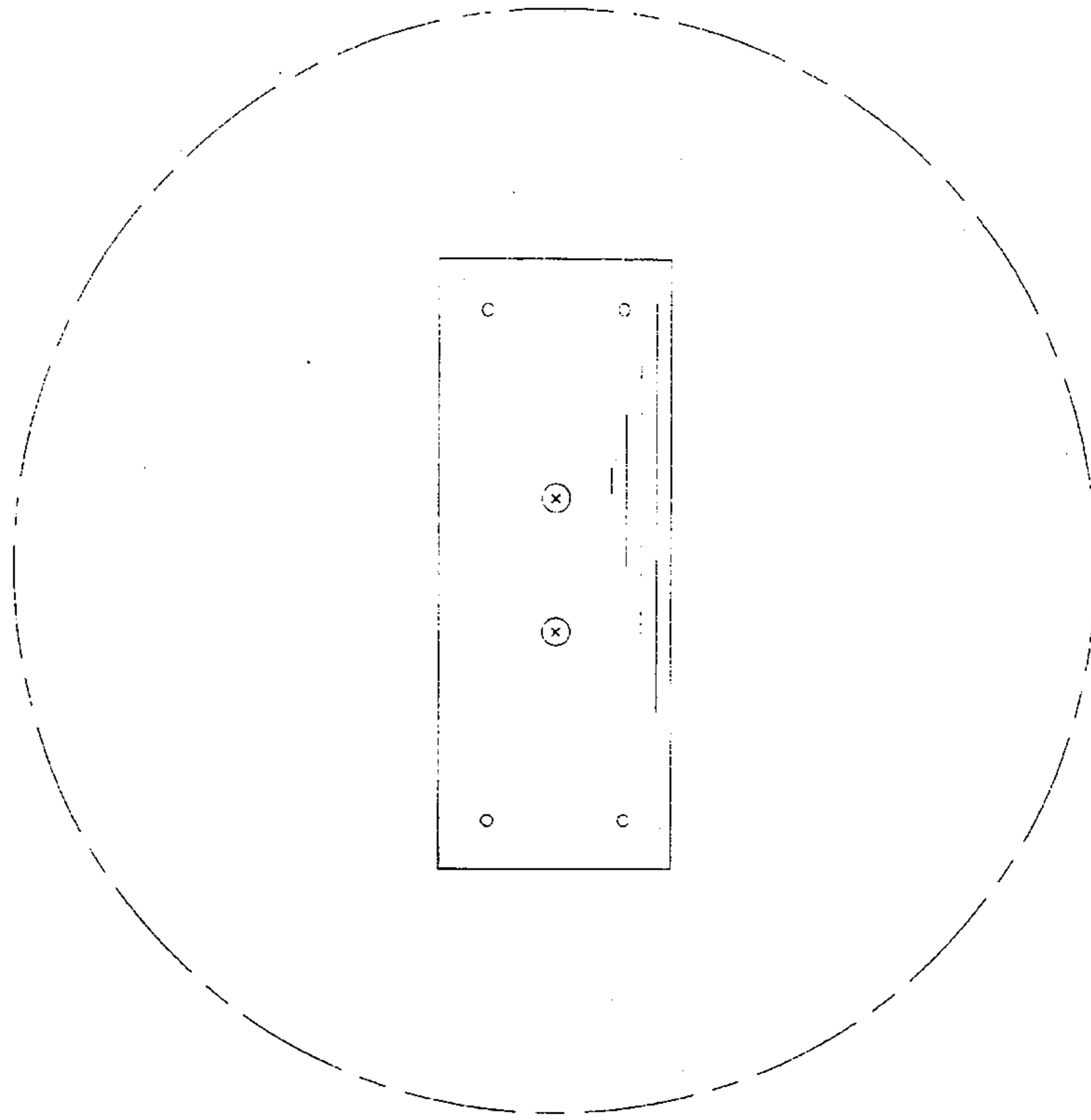


Fig. 3

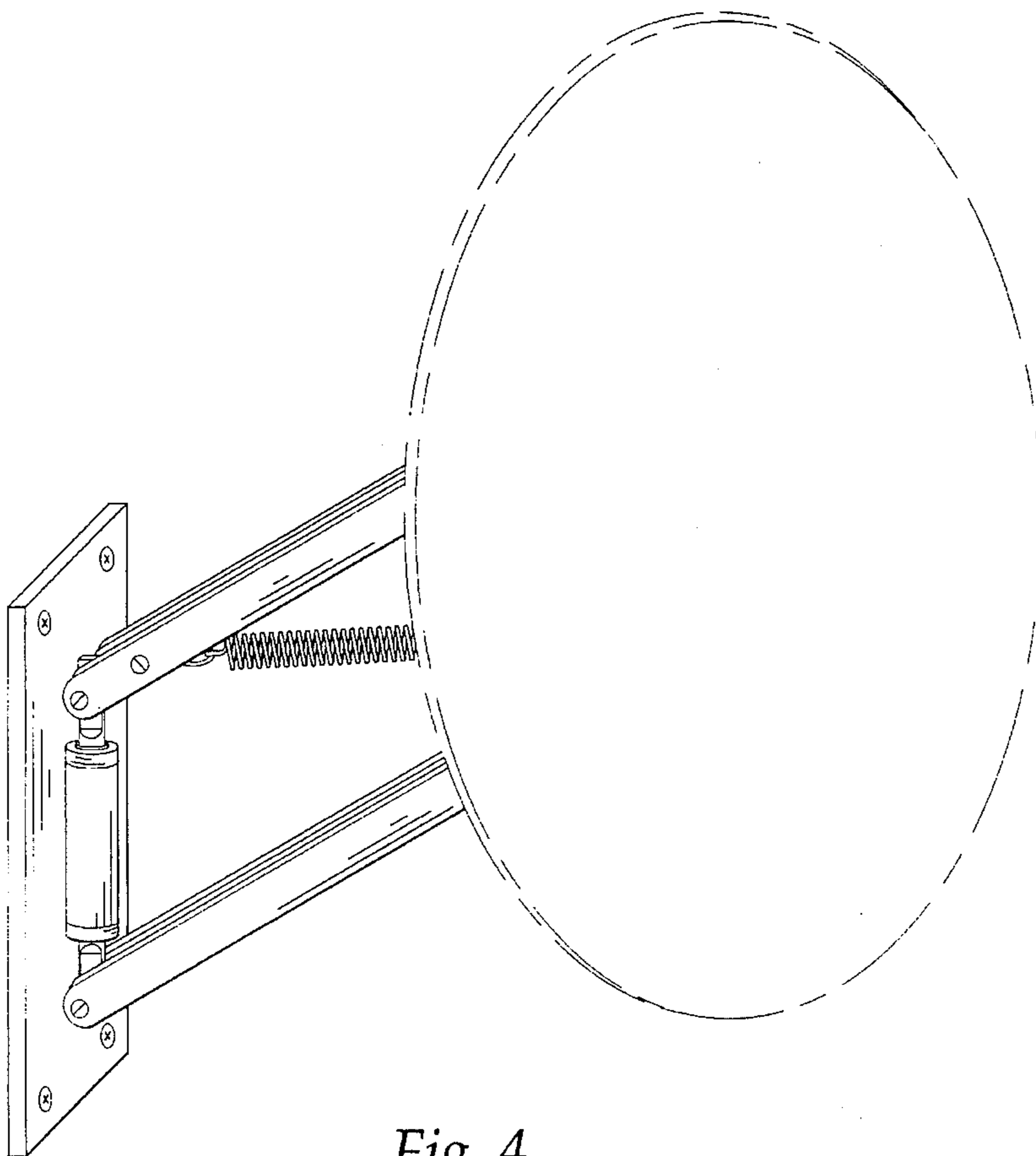


Fig. 4

