



US00D375668S

United States Patent [19]

Kalousis

[11] Patent Number: Des. 375,668

[45] Date of Patent: **Nov. 19, 1996

[54] MULTIPLE SOCKET TOOL

[76] Inventor: James Kalousis, 1101 Lowden Ave.,
Union, N.J. 07083-7706

[**] Term: 14 Years

[21] Appl. No.: 46,322

[22] Filed: Nov. 13, 1995

[52] U.S. Cl. D8/68

[58] Field of Search D8/29.1, 61, 68,
D8/69, 24-29, 51, 55, 105; 81/57.22, 57.36,
124.4, 124.5, 185.2, DIG. 11

[56] **References Cited**

U.S. PATENT DOCUMENTS

1,094,905	4/1914	Huntley	81/124.4
1,114,723	10/1914	Berry	81/124.5
1,436,195	11/1922	Quigley	81/124.5
4,699,030	10/1987	Yang	81/124.5

Primary Examiner—B. J. Bullock
Assistant Examiner—Robert M. Spear
Attorney, Agent, or Firm—Philip O. Post

[57] **CLAIM**

The ornamental design for the multiple socket tool, as shown.

DESCRIPTION

FIG. 1 is a perspective view of a multiple socket tool showing my new design;
FIG. 2 is a right side elevational view thereof;
FIG. 3 is a left side elevational view thereof;
FIG. 4 is a front elevational view thereof;
FIG. 5 is a rear elevational view thereof;
FIG. 6 is a top plan view thereof; and,
FIG. 7 is a bottom plan view thereof.

1 Claim, 4 Drawing Sheets

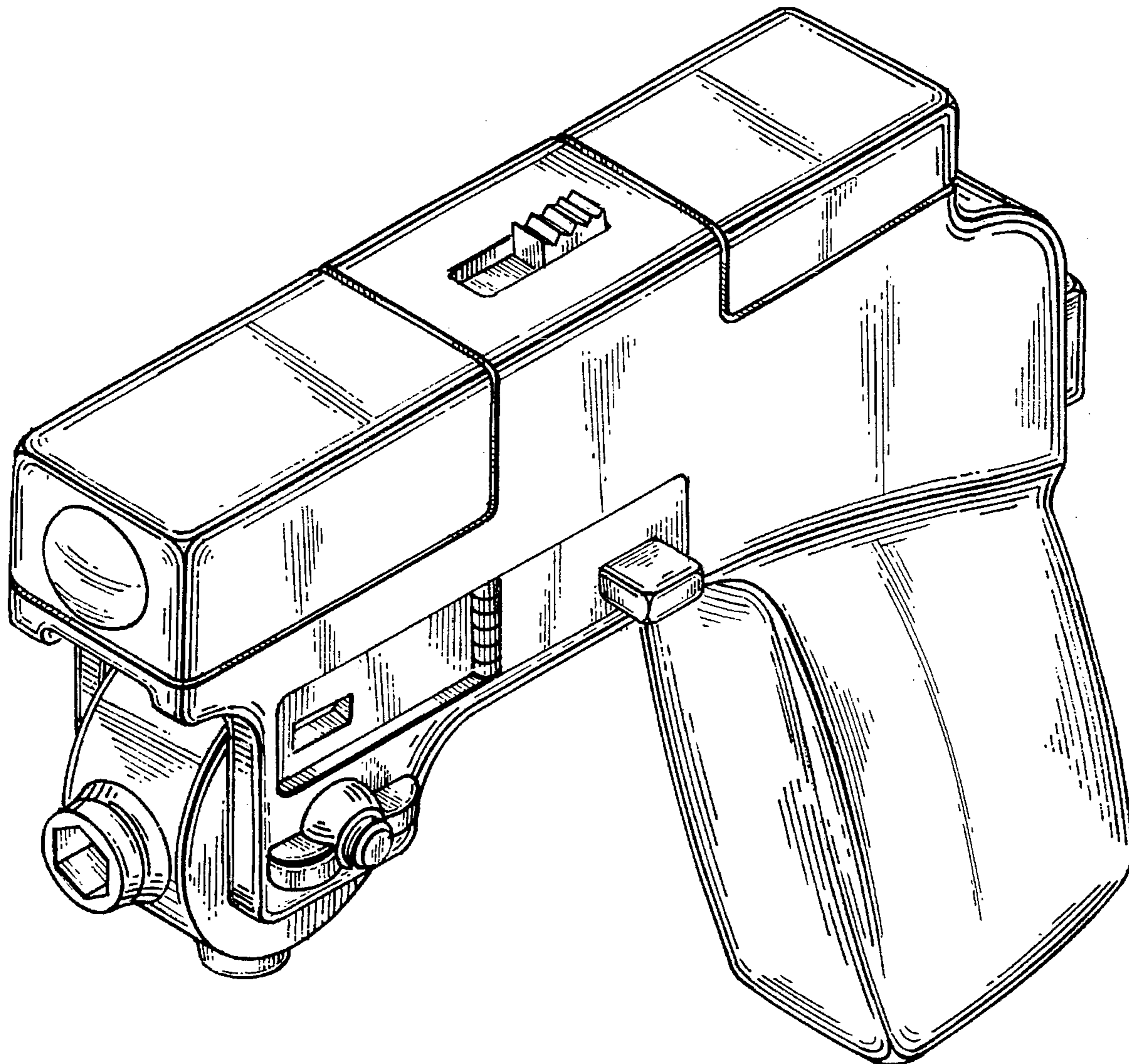
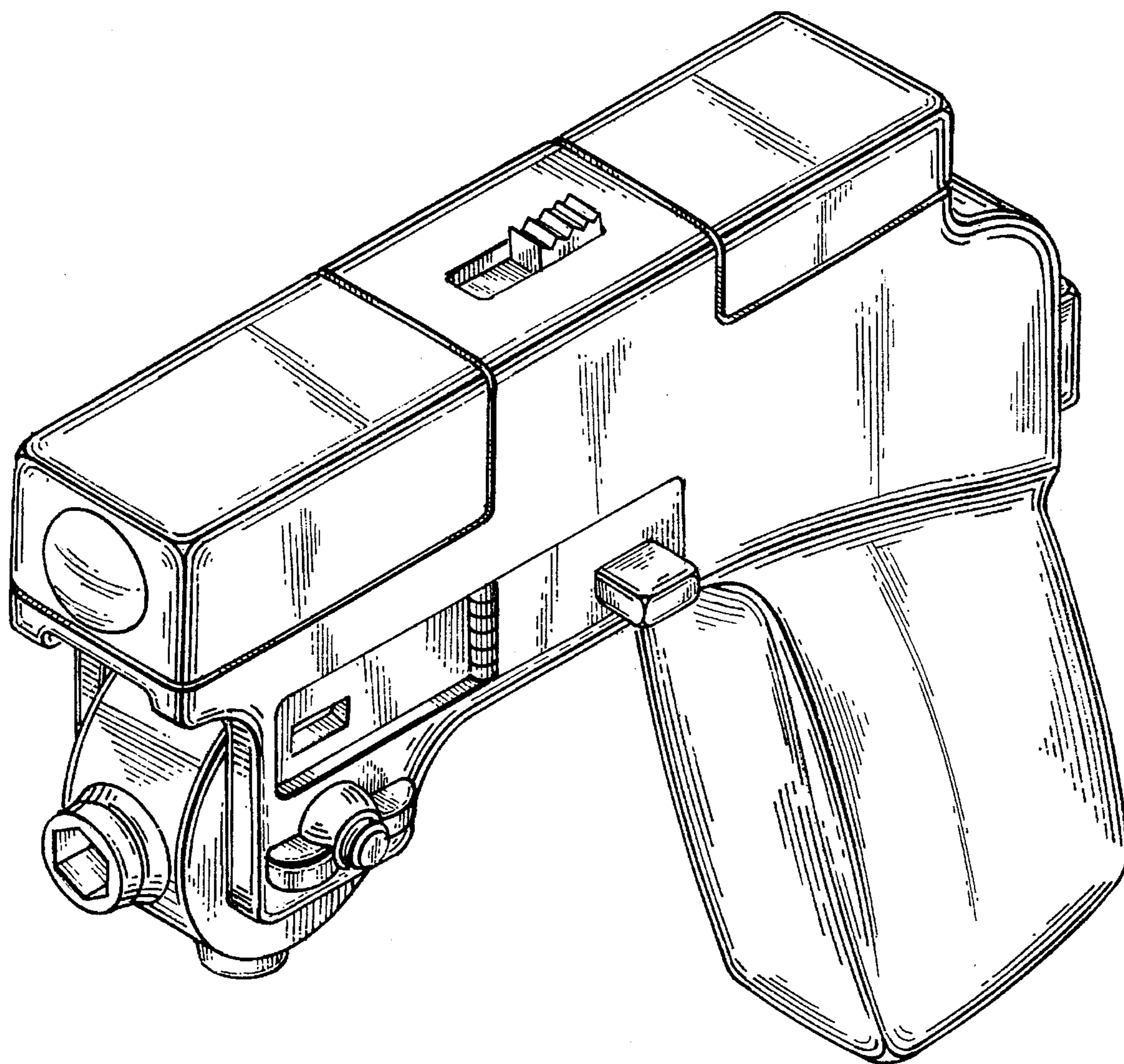


FIG. 1



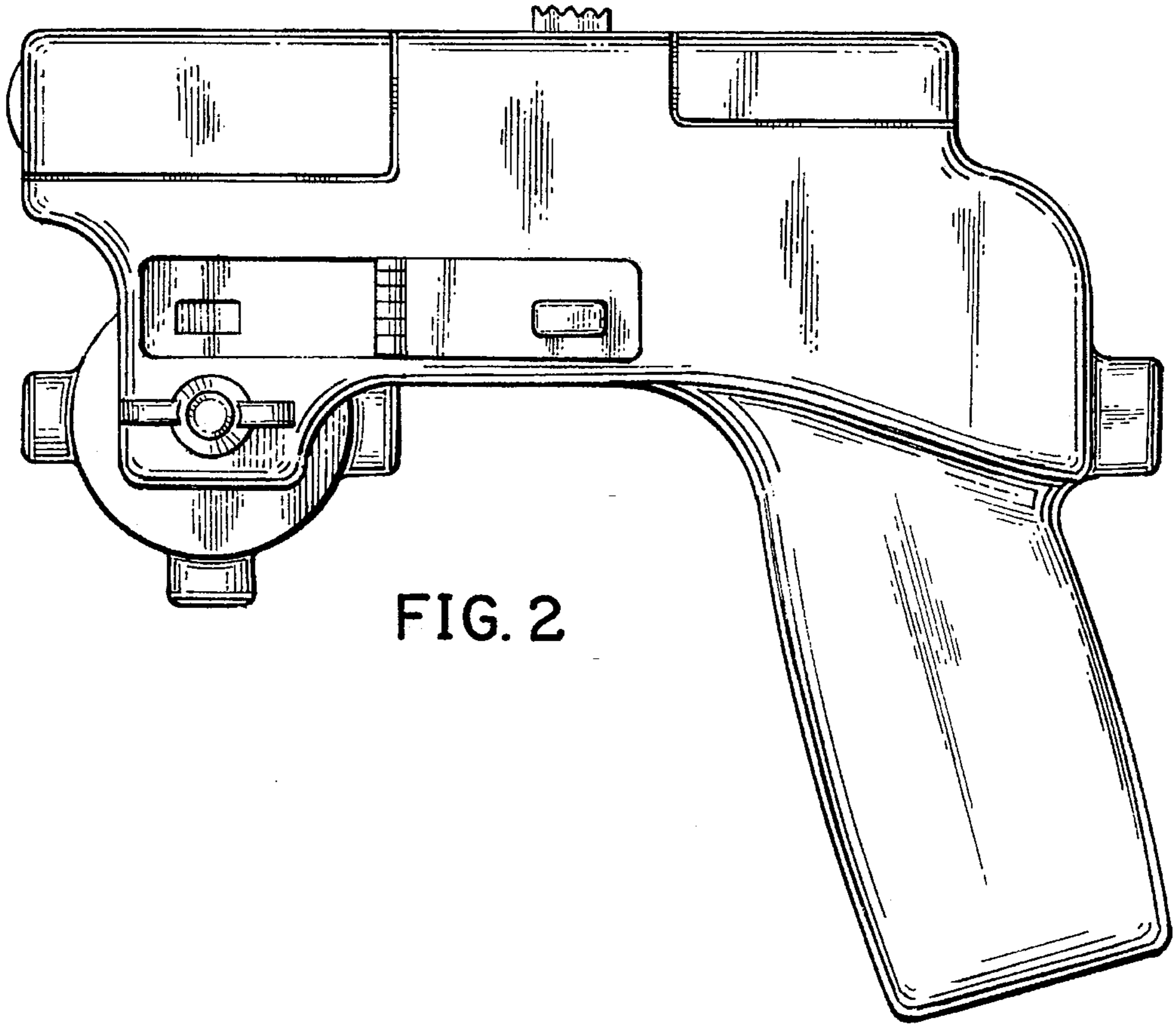


FIG. 2

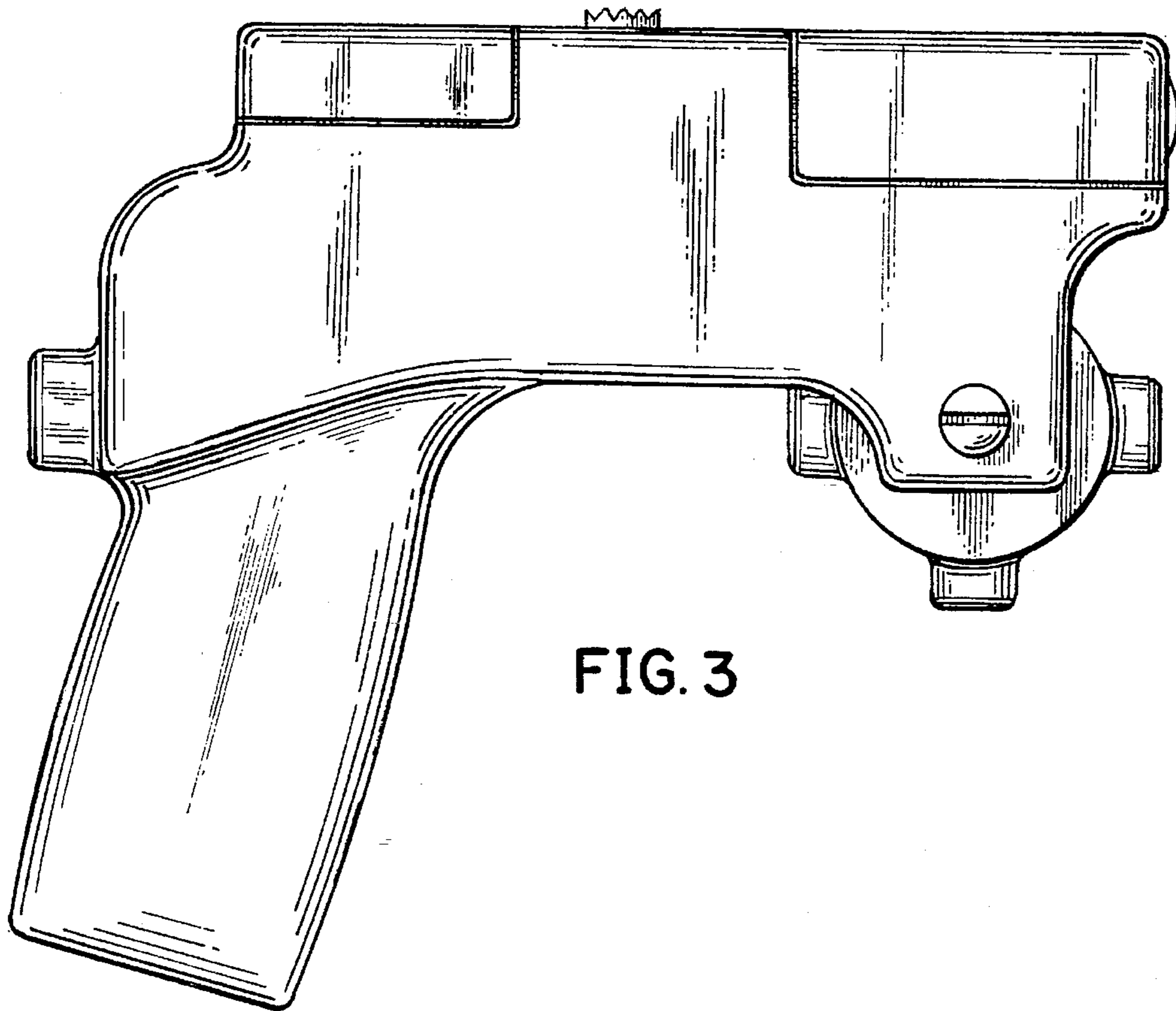


FIG. 3

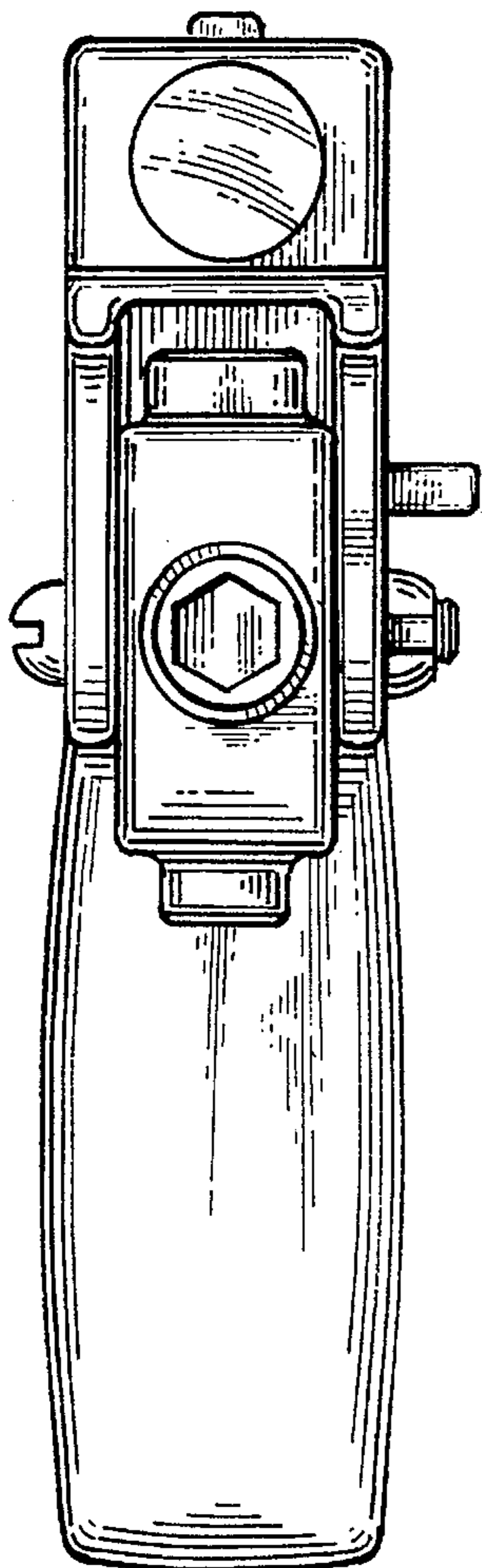


FIG. 4

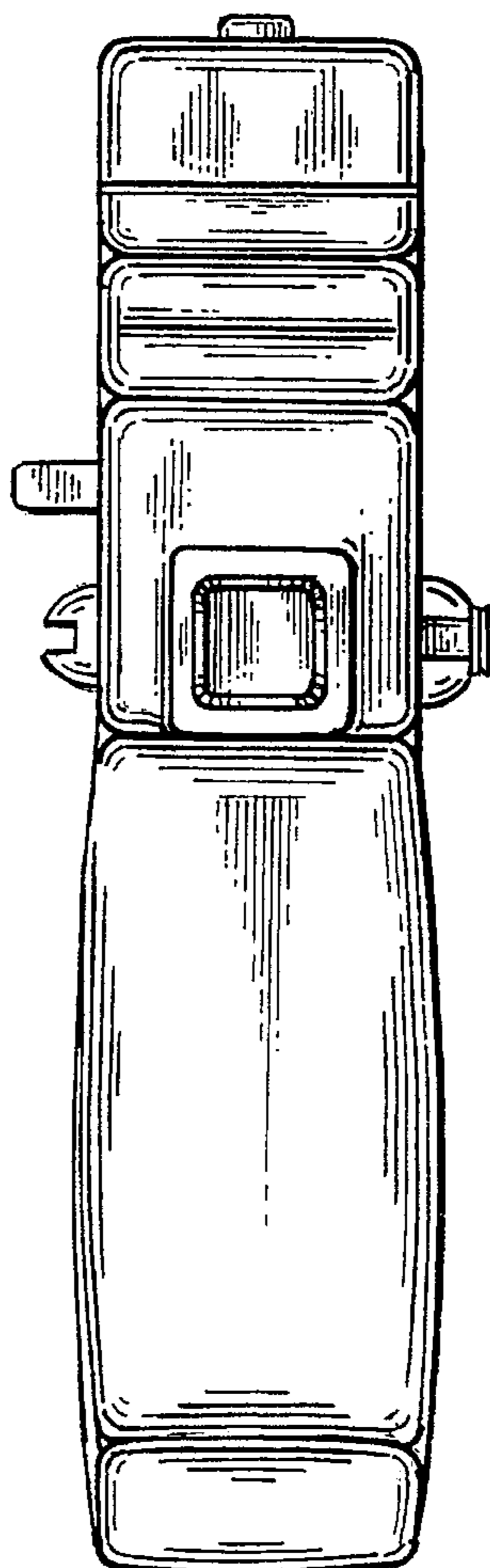


FIG. 5

FIG. 6

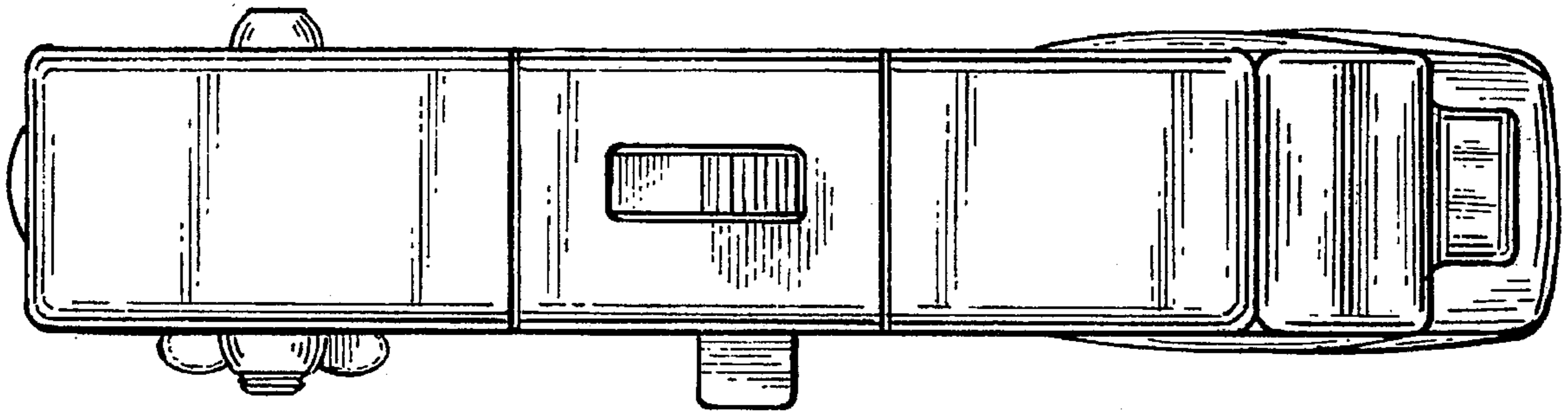


FIG. 7

