



US00D375667S

United States Patent [19] Macor

[11] Patent Number: **Des. 375,667**

[45] Date of Patent: *****Nov. 19, 1996**

[54] **MULTI-SOCKET, BOX WRENCH**

3,745,860 7/1973 Bennett 81/124.4

[75] Inventor: **Richard J. Macor**, Greenwich Township, Warren County, N.J.

FOREIGN PATENT DOCUMENTS

0599423 3/1948 United Kingdom 81/124.4

[73] Assignee: **Proprietary Technologies, Inc.**, Stewartsville, N.J.

Primary Examiner—B. J. Bullock
Assistant Examiner—Richelle Shelton

[*] Notice: The portion of the term of this patent subsequent to Dec. 28, 2007, has been disclaimed.

[57] CLAIM

The ornamental design for a multi-socket, box wrench, as shown.

[**] Term: **14 Years**

DESCRIPTION

[21] Appl. No.: **42,033**

FIG. 1 is a perspective view of the of the present invention;
FIG. 2 is a front elevation view thereof;
FIG. 3 is a back elevation view thereof;
FIG. 4 is a top plan view thereof;
FIG. 5 is a bottom plan view thereof;
FIG. 6 is a right side elevation view thereof; and,
FIG. 7 is a left side elevation view thereof;

[22] Filed: **May 4, 1995**

[52] U.S. Cl. **D8/28**

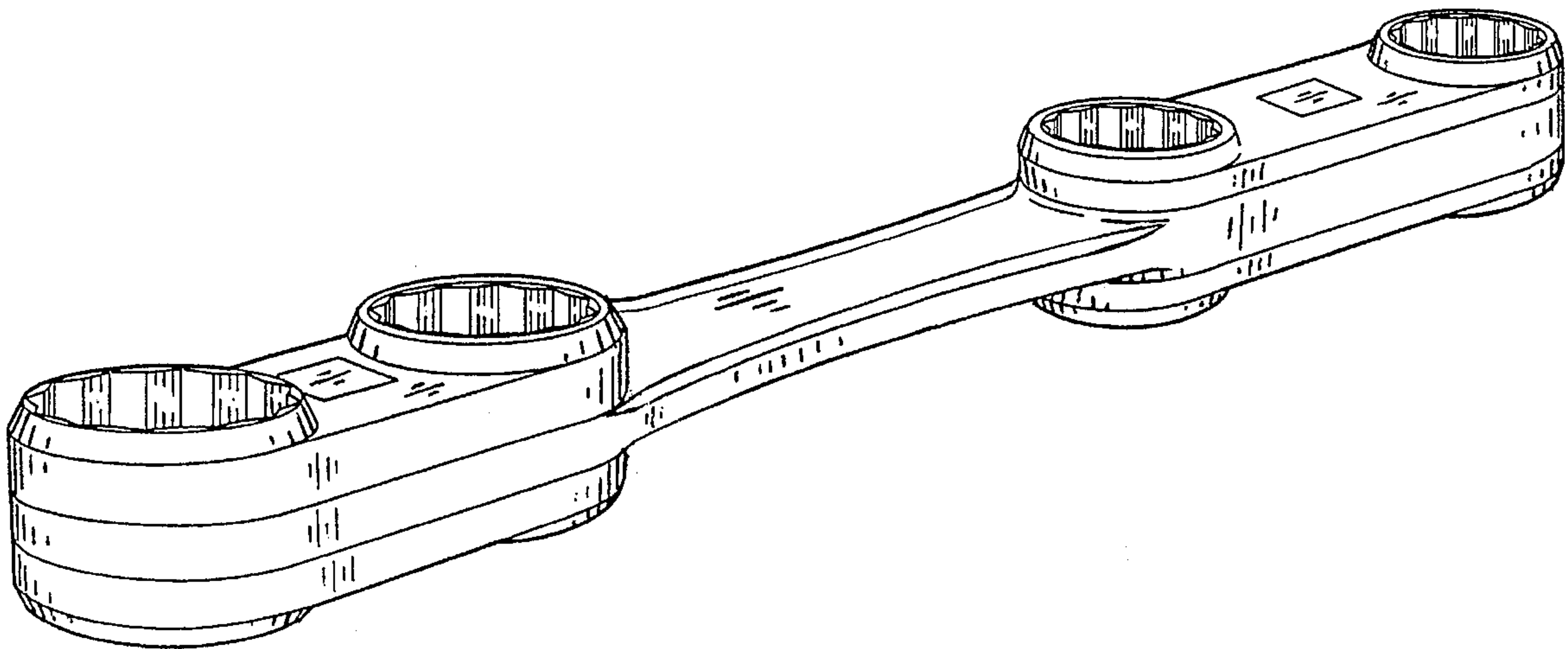
[58] Field of Search D8/21, 25, 28,
D8/29; 81/61-63, 121.1, 125.1, 124.4, 177.85

[56] References Cited

U.S. PATENT DOCUMENTS

D. 342,653 12/1993 Macor D8/25

1 Claim, 1 Drawing Sheet



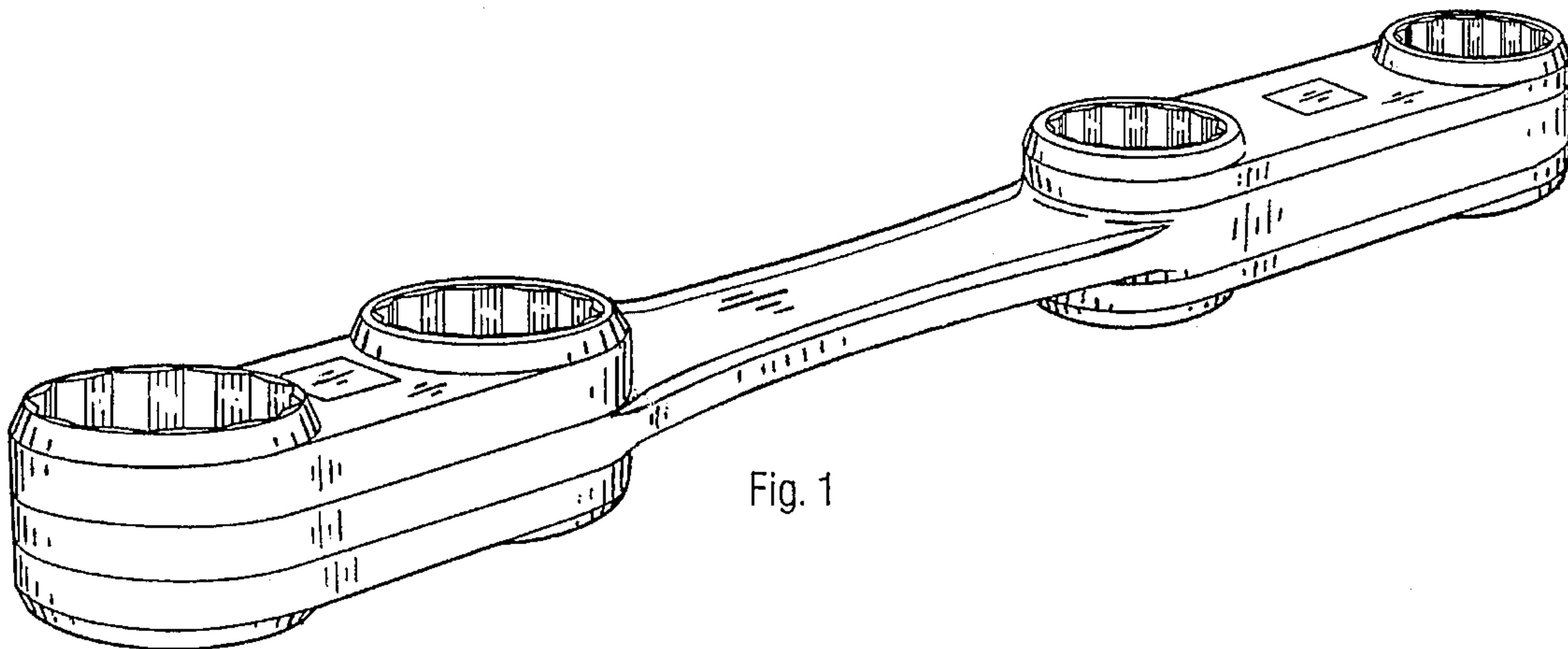


Fig. 1

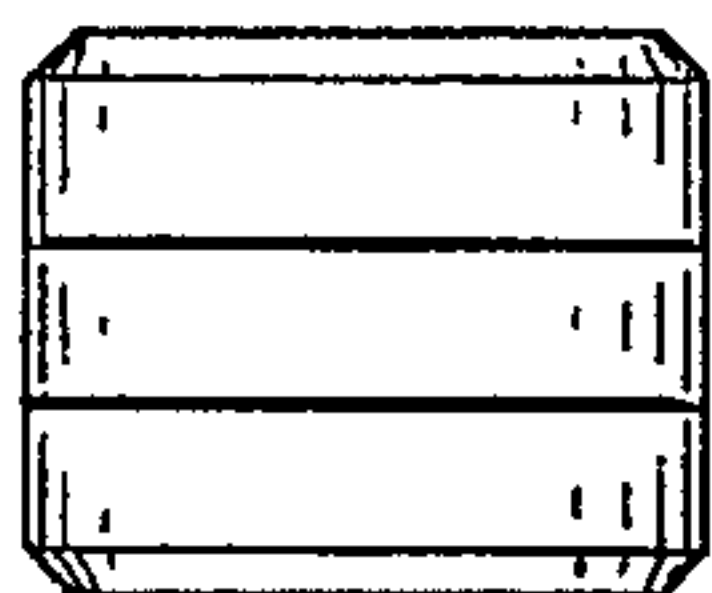


Fig. 2

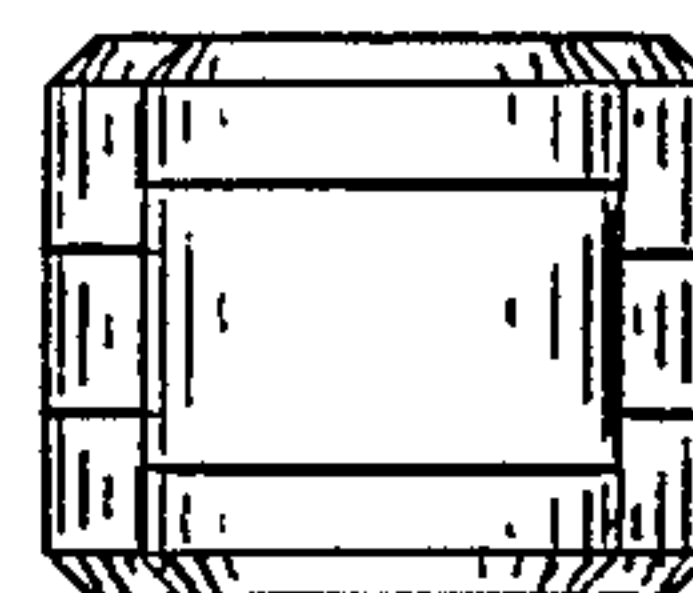


Fig. 3

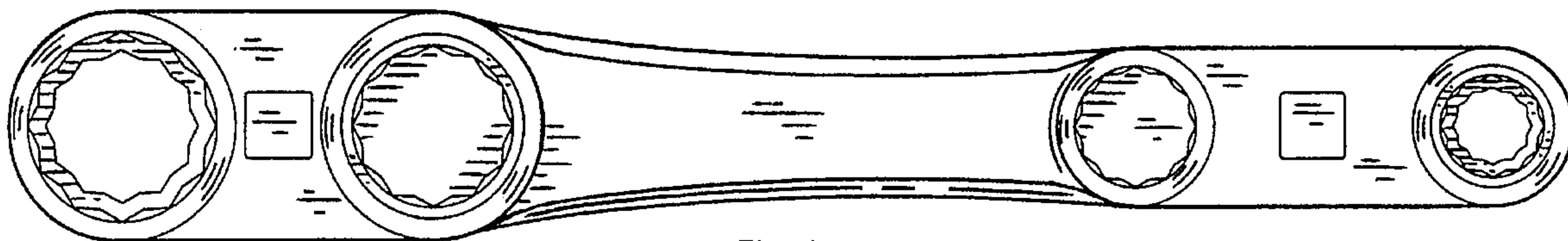


Fig. 4

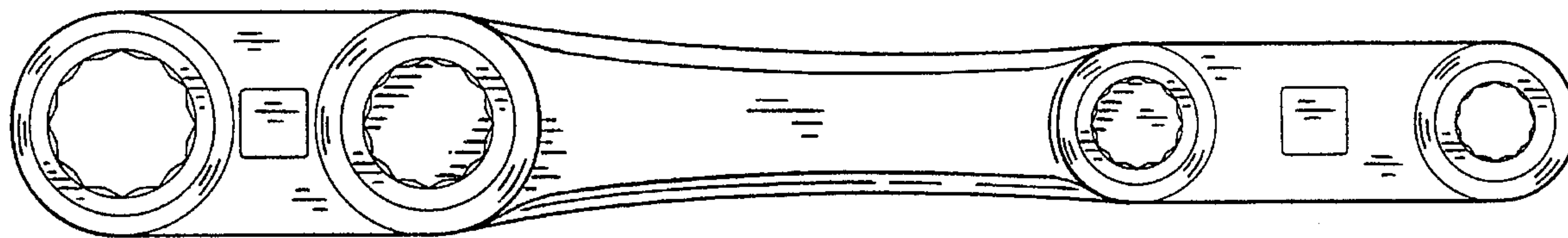


Fig. 5

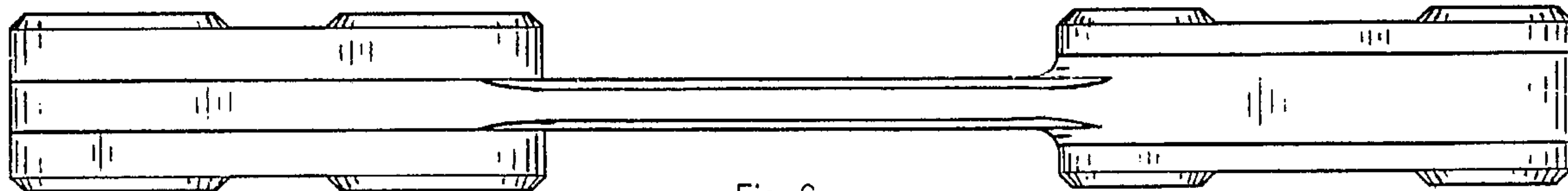


Fig. 6

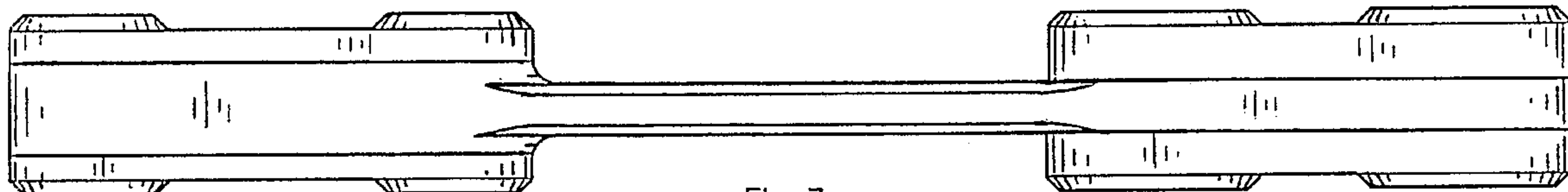


Fig. 7