



US00D375664S

United States Patent [19]
Zimmer

[11] **Patent Number: Des. 375,664**

[45] **Date of Patent: **Nov. 19, 1996**

[54] **WHEELED LEAF RAKE**

[76] Inventor: **John S. Zimmer**, 413 S. Ellison La.,
Waynesboro, Va. 22890

[**] Term: **14 Years**

[21] Appl. No.: **42,637**

[22] Filed: **Aug. 15, 1995**

[52] U.S. Cl. **D8/13**

[58] Field of Search D8/13; 56/400.01,
56/400.04, 400.21, 400.14

[56] **References Cited**

U.S. PATENT DOCUMENTS

D. 353,980 1/1995 Johnson D8/13
3,374,614 3/1968 Dacheux, Jr. 56/400.14

Primary Examiner—Brian N. Vinson
Attorney, Agent, or Firm—Norman B. Rainer

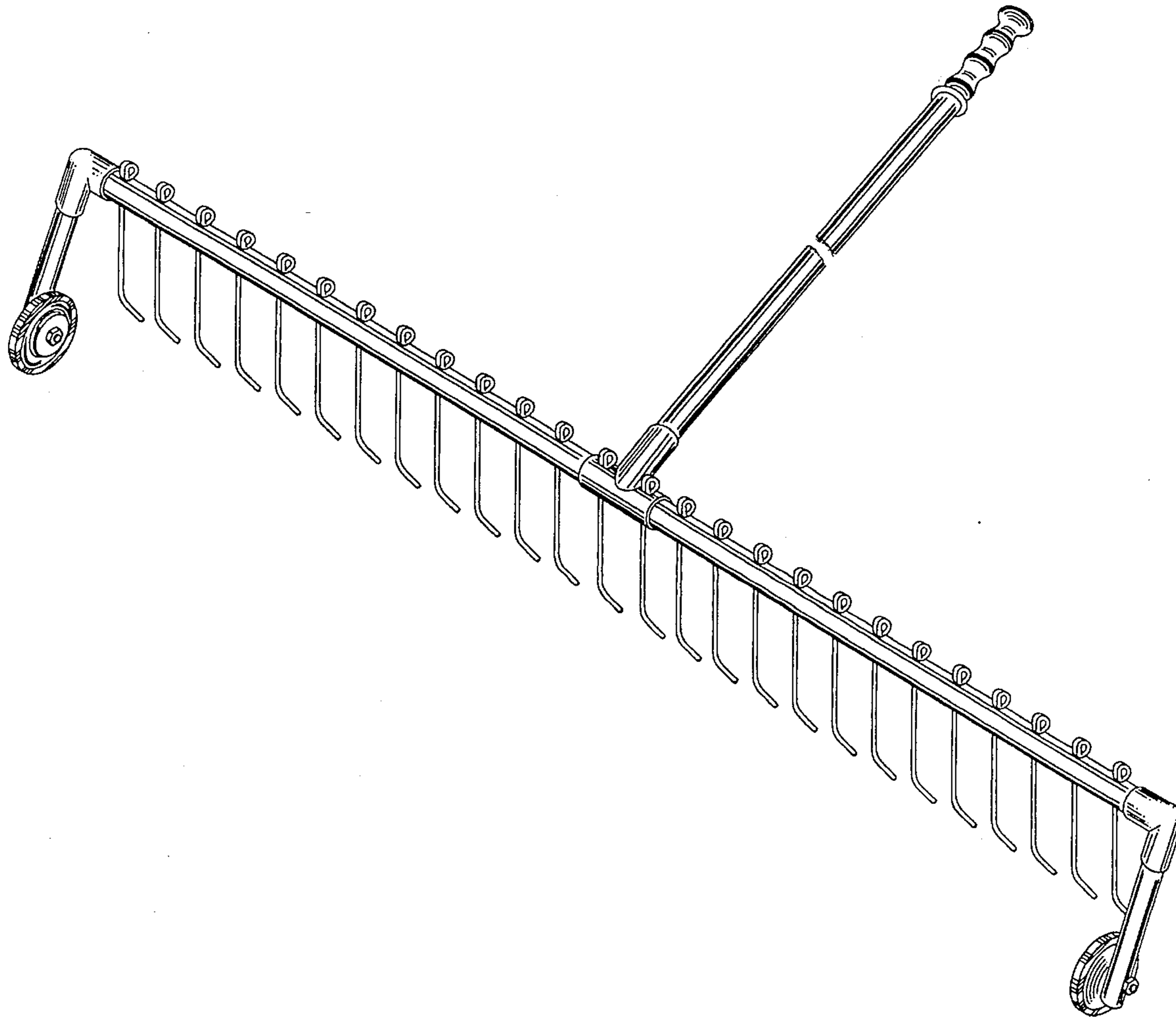
[57] **CLAIM**

The ornamental design for a wheeled leaf rake, as shown and described.

DESCRIPTION

FIG. 1 is a front view of a wheeled leaf rake, showing my new design;
FIG. 2 is a rear view thereof;
FIG. 3 is a top view thereof;
FIG. 4 is a front view thereof; and,
FIG. 5 is a side view thereof, the unshown opposite side view being of mirror-image appearance.
The handle portion is shown broken-away to indicate indeterminate length.

1 Claim, 2 Drawing Sheets



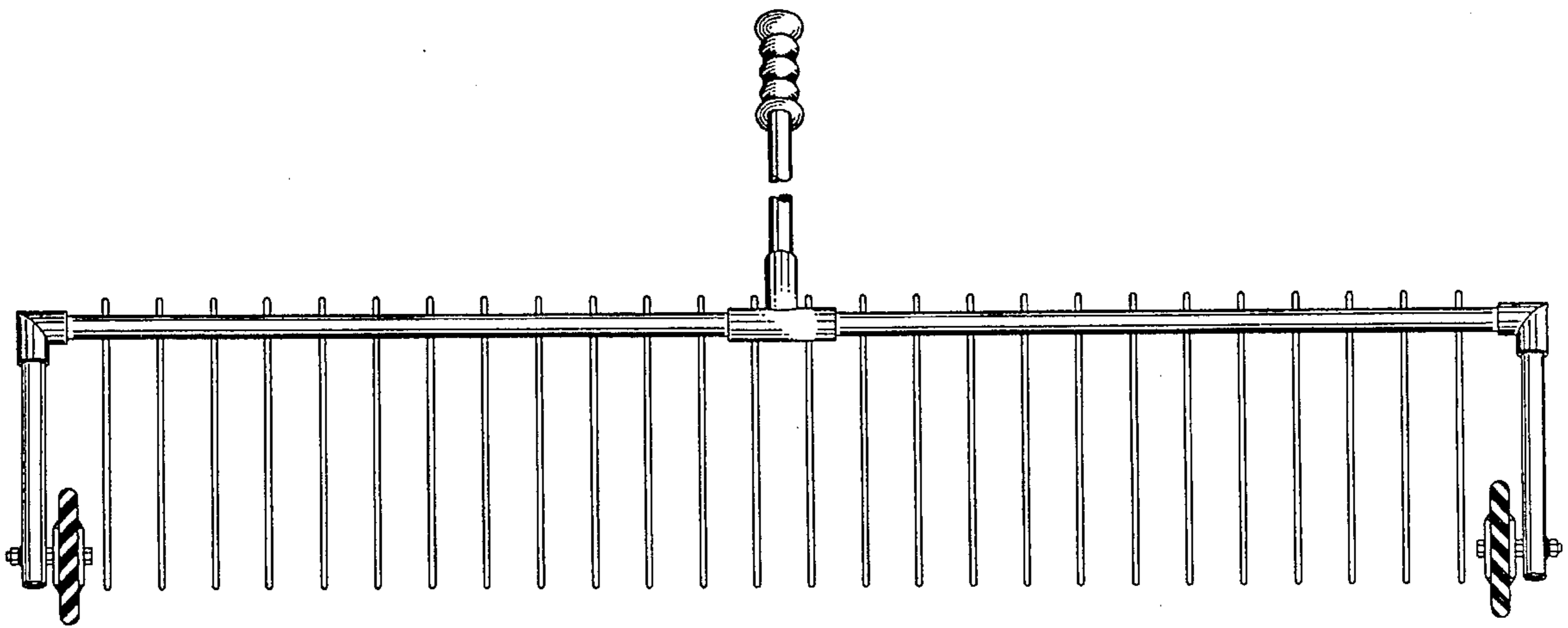


Fig.1

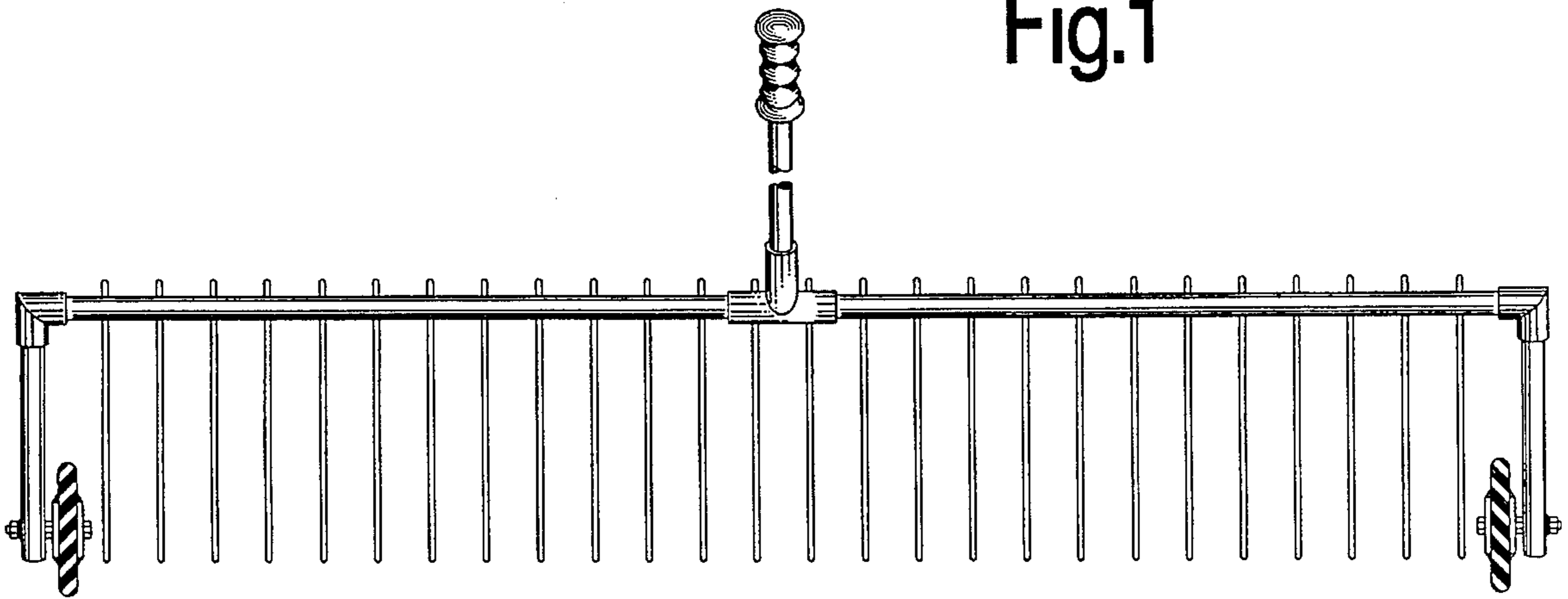


Fig.2

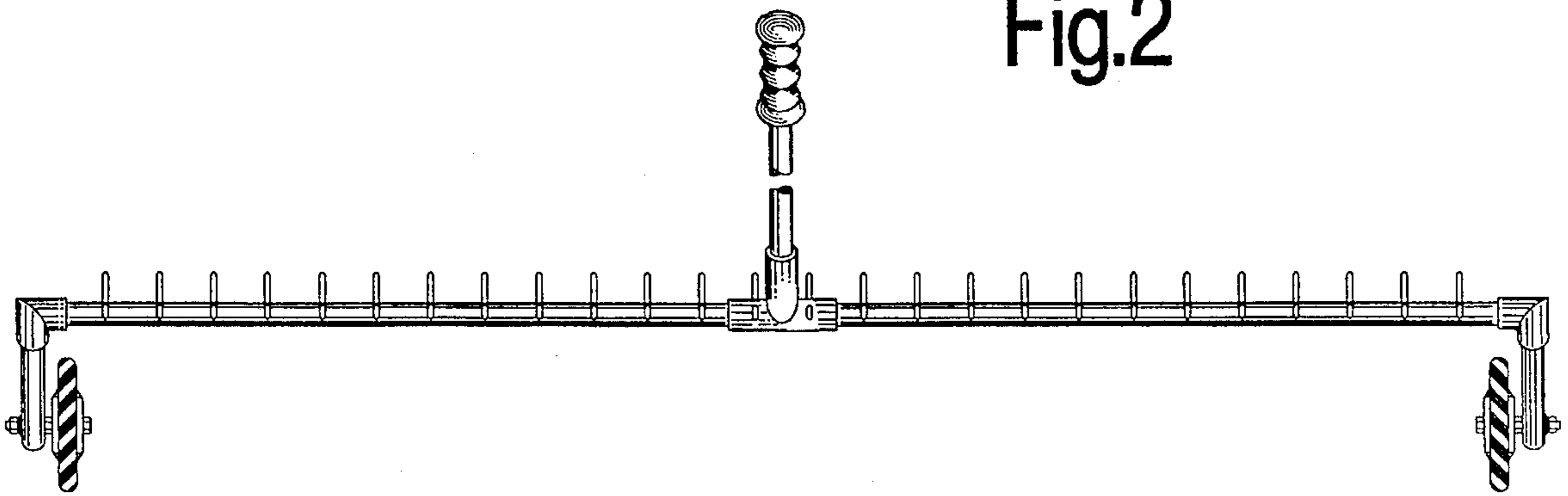


Fig.3

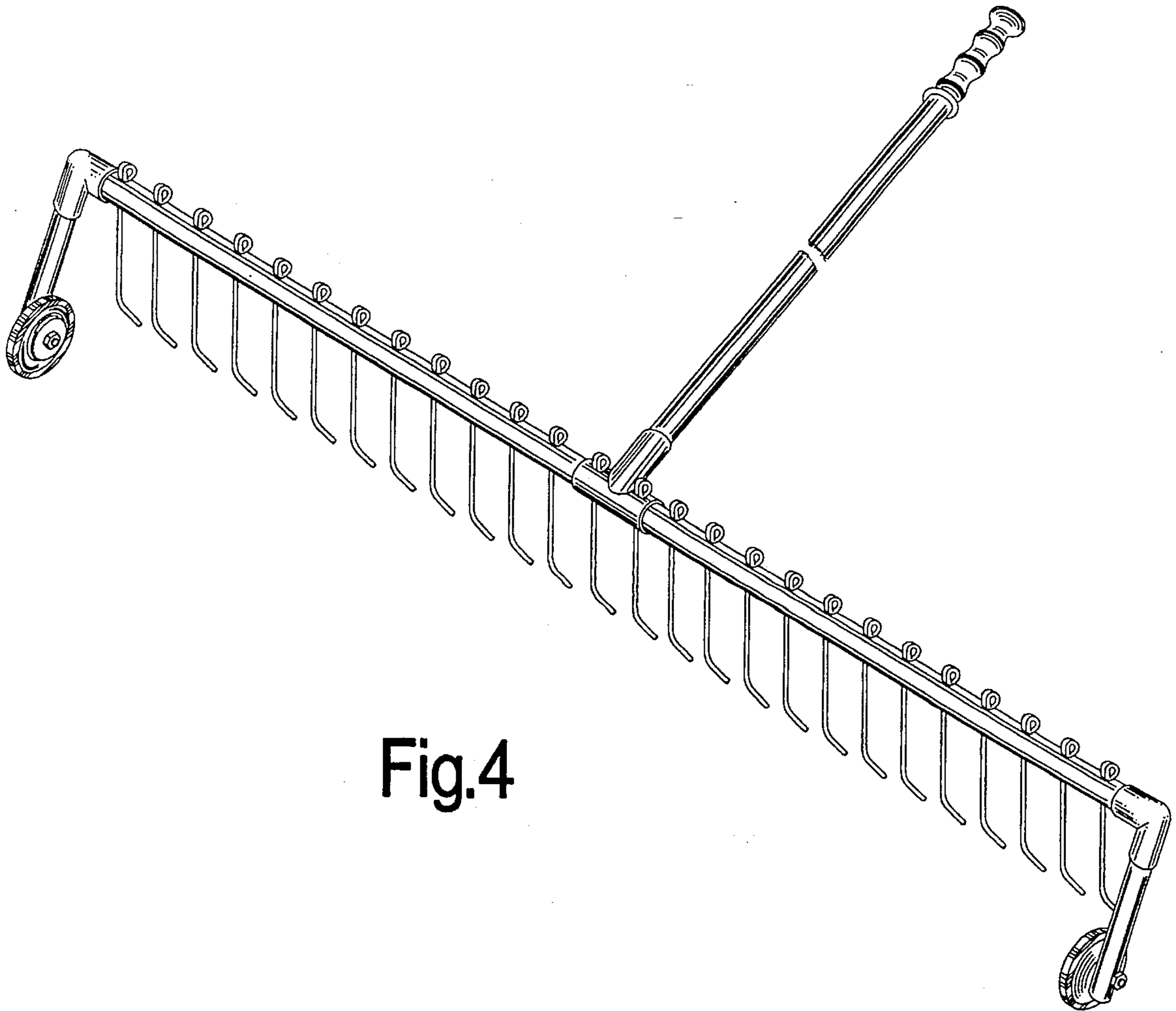


Fig.4

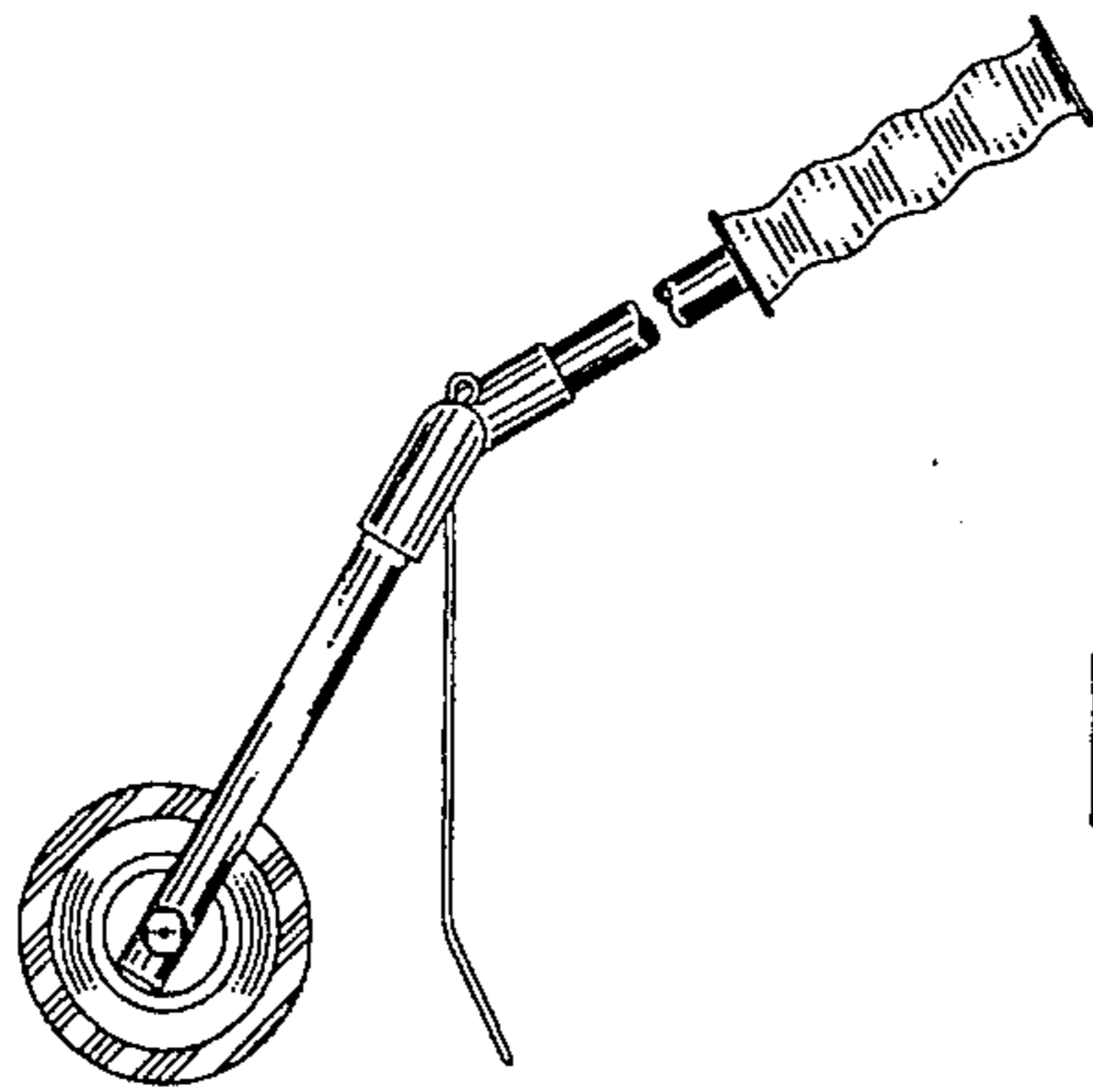


Fig.5