



US00D375663S

# United States Patent [19]

Arnold

[11] Patent Number: **Des. 375,663**

[45] Date of Patent: **\*\*Nov. 19, 1996**

[54] **IRRIGATION SPRINKLER STAKE**

[76] Inventor: **James R. Arnold**, 15230 Frank Jerrell Rd., Clermont, Fla. 34711

[\*\*] Term: **14 Years**

[21] Appl. No.: **45,760**

[22] Filed: **Oct. 30, 1995**

[52] U.S. Cl. .... **D8/1; D23/217; D23/221; D21/255**

[58] Field of Search ..... **D23/214, 217, D23/218, 221; 239/200-203, 273, 276; D8/1, 356; 248/85, 87; D21/255**

[56] **References Cited**

**U.S. PATENT DOCUMENTS**

D. 284,785	7/1986	Lemkin et al. ....	D23/221
D. 316,367	4/1991	Olson .....	D23/217
D. 334,333	3/1993	Christen et al. ....	D8/356
D. 340,626	10/1993	Zeman .....	D23/217
484,998	10/1892	Comstock .....	D21/255

4,850,555 7/1989 Lemkin et al. .... 248/87  
5,158,231 10/1992 Christen et al. .... 239/276

*Primary Examiner*—A. Hugo Word  
*Assistant Examiner*—Robin V. Taylor  
*Attorney, Agent, or Firm*—William M. Hobby, III

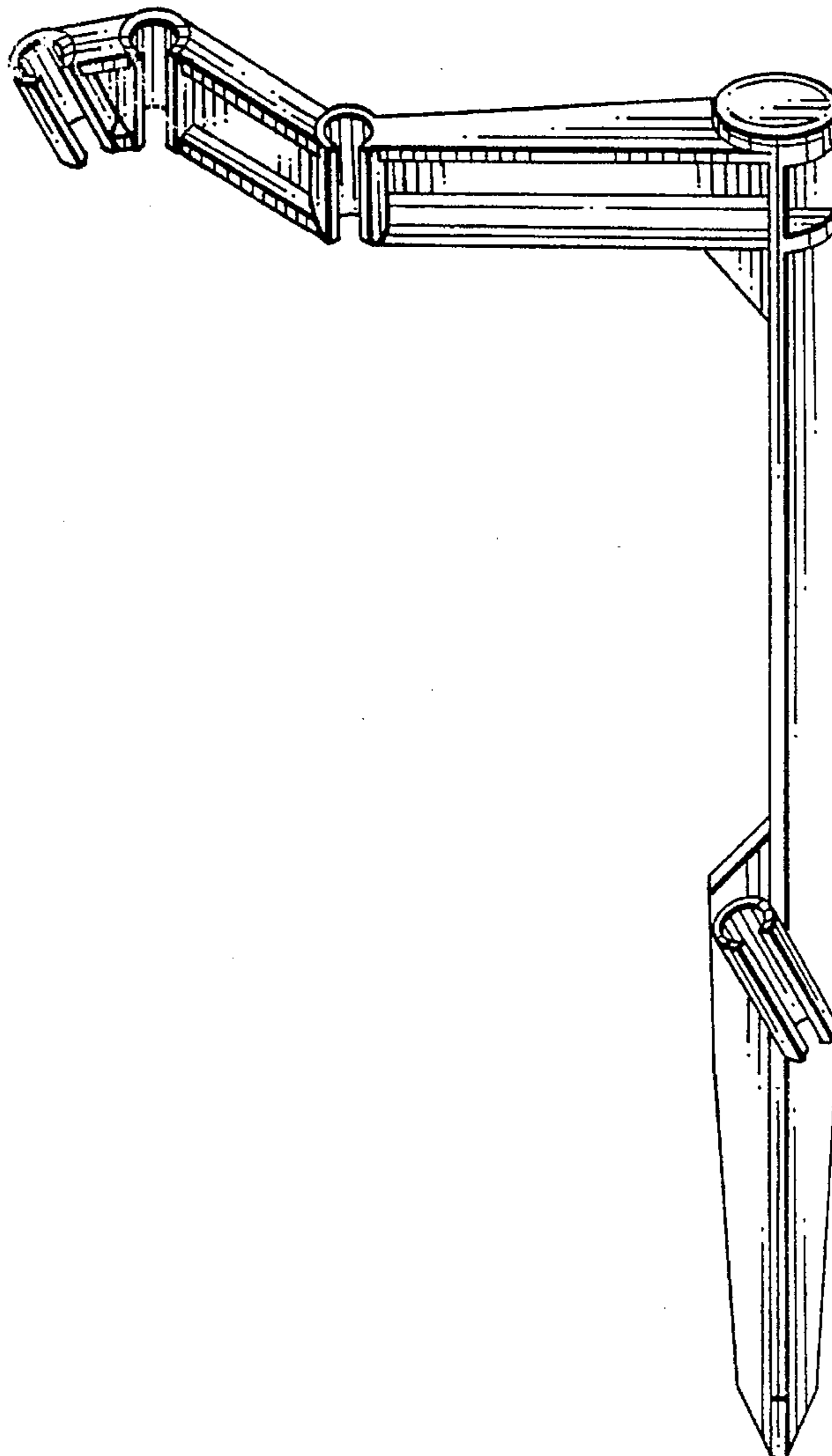
[57] **CLAIM**

The ornamental design for an irrigation sprinkler stake, as shown.

**DESCRIPTION**

FIG. 1 is a top and right side perspective view of my new irrigation sprinkler stake;  
FIG. 2 is a left side elevation;  
FIG. 3 is a rear elevation;  
FIG. 4 is a sectional view taken on line 4—4 of FIG. 2;  
FIG. 5 is a sectional view taken on line 5—5 of FIG. 2;  
FIG. 6 is a front elevation;  
FIG. 7 is a top plan view; and,  
FIG. 8 is a bottom plan view.

**1 Claim, 1 Drawing Sheet**



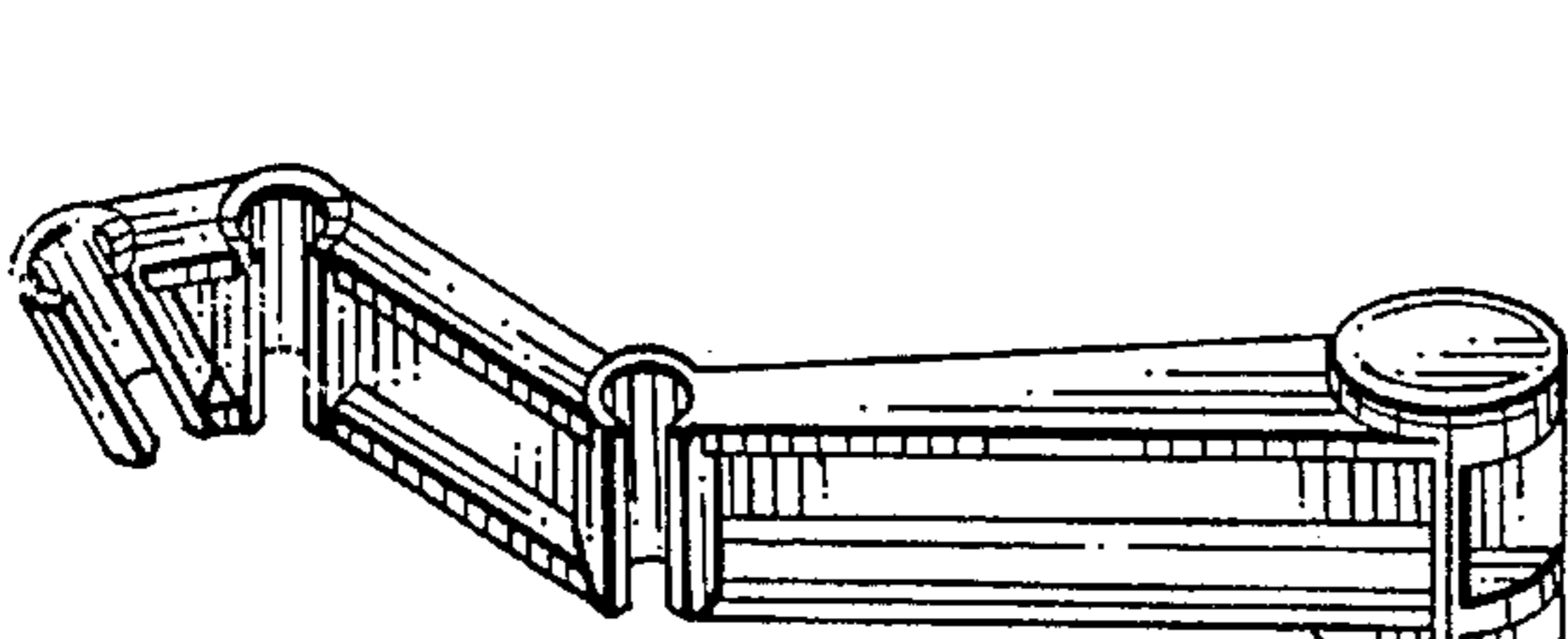


FIG. 1

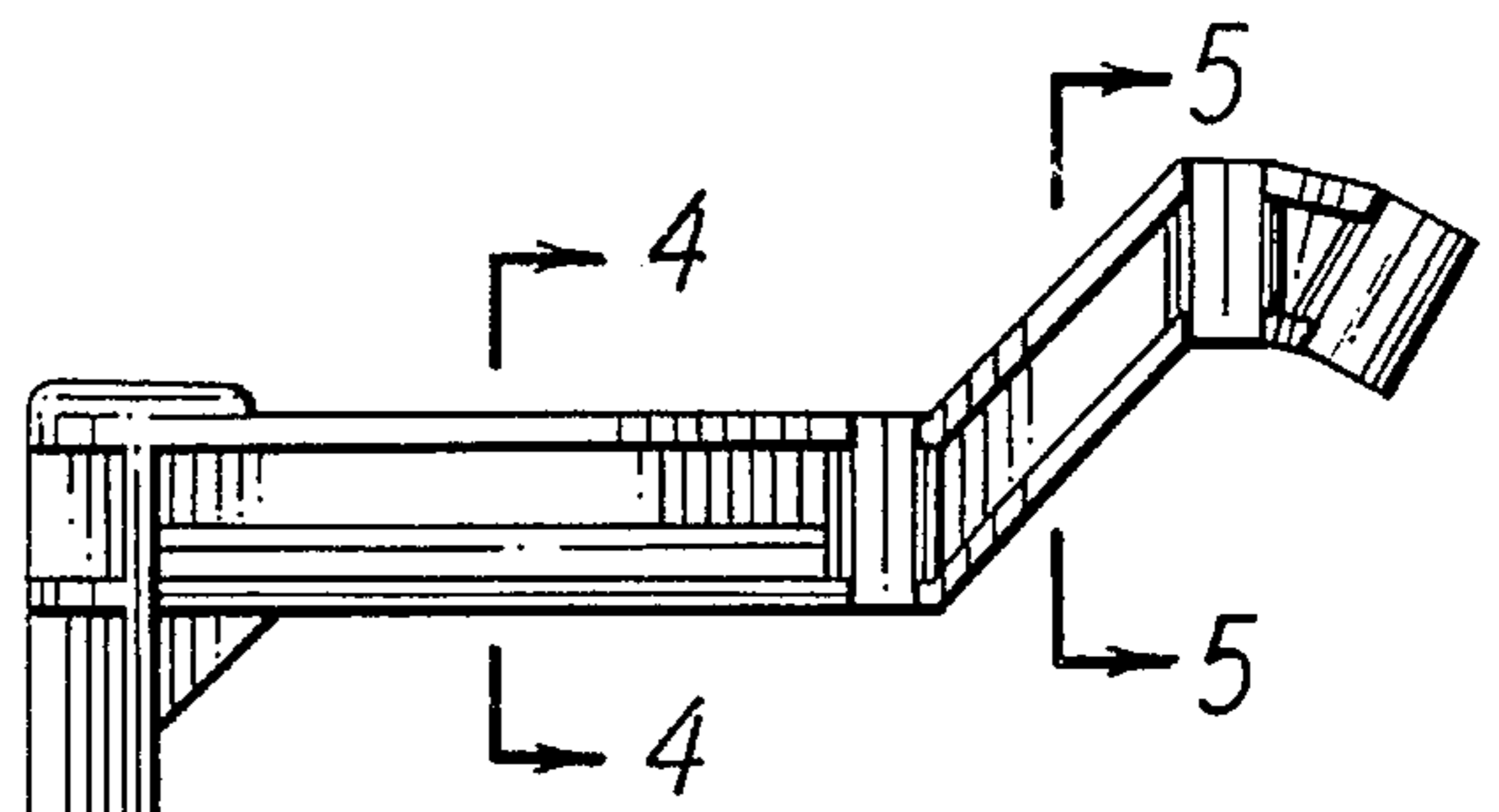


FIG. 2

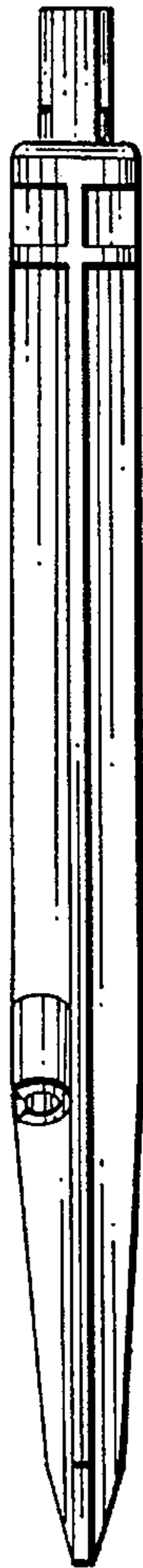


FIG. 3



FIG. 4



FIG. 5



FIG. 6

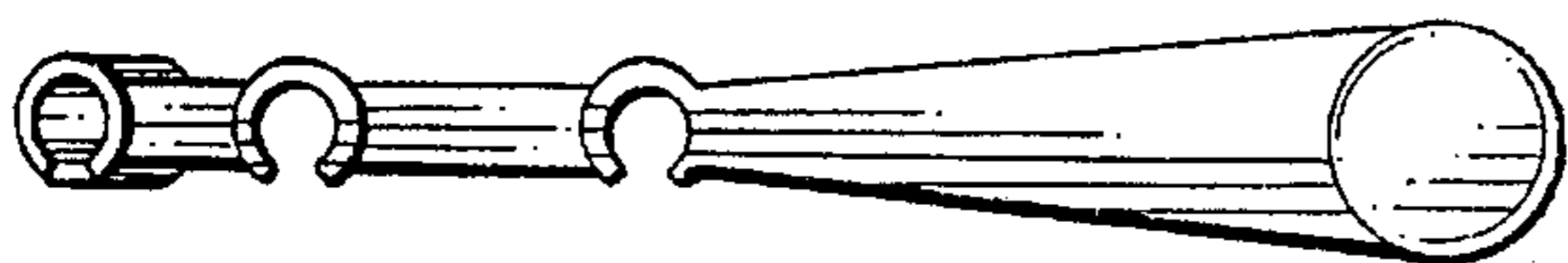


FIG. 8

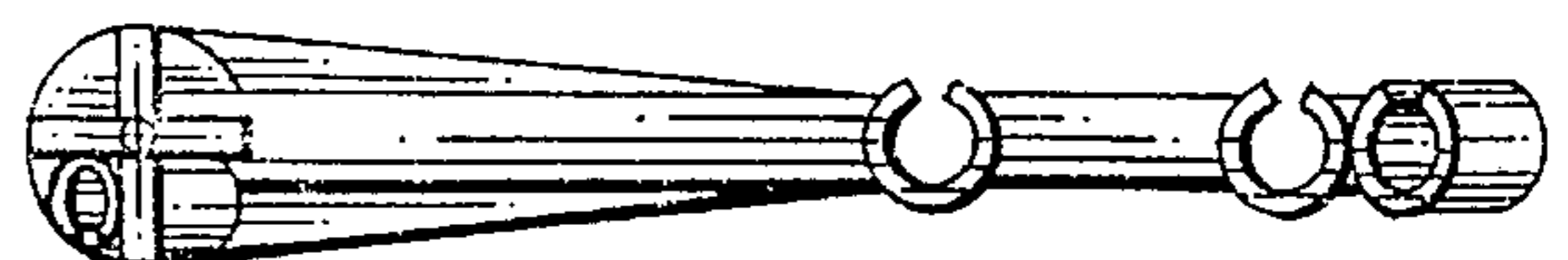


FIG. 9