



US00D375662S

United States Patent [19]

Noga

[11] Patent Number: **Des. 375,662**

[45] Date of Patent: ****Nov. 19, 1996**

[54] **PIZZA CUTTER**

[76] Inventor: **Robert A. Noga**, 13404 Calais Dr., Del Mar, Calif. 92014

[**] Term: **14 Years**

[21] Appl. No.: **47,861**

[22] Filed: **Dec. 13, 1995**

[52] U.S. Cl. **D7/694**

[58] Field of Search D7/694; D8/98;
30/306, 307, 319, 292, 299

[56] References Cited

U.S. PATENT DOCUMENTS

D. 57,815	5/1921	Brown	D7/694
D. 260,223	8/1981	De Coster	D7/694
895,969	8/1908	Coyle	30/307
2,902,713	9/1959	Buelow	30/299 X

Primary Examiner—Terry A. Wallace
Attorney, Agent, or Firm—Gilliam, Duncan & Harms

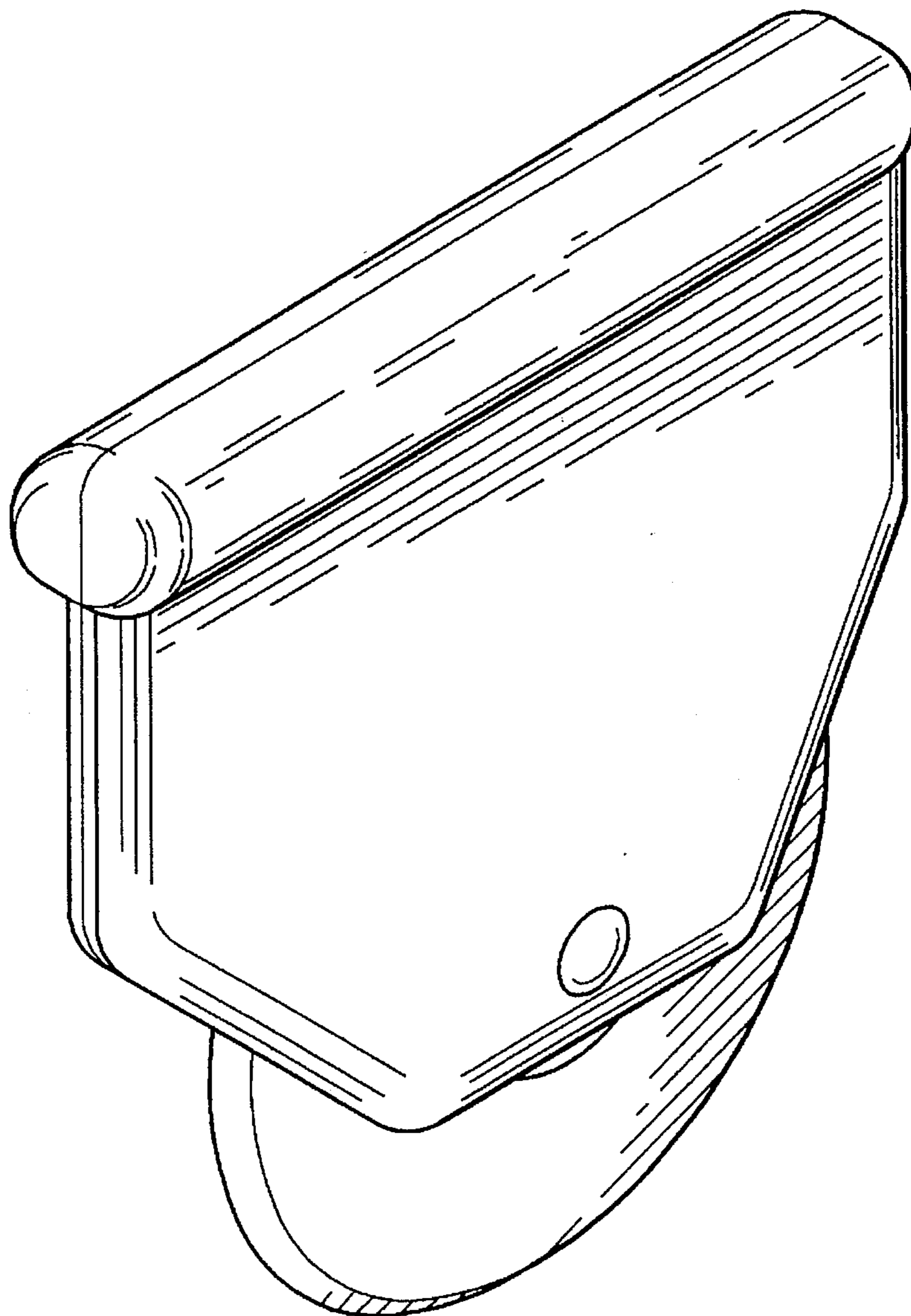
[57] CLAIM

The ornamental design for a pizza cutter, as shown and described.

DESCRIPTION

FIG. 1 is a perspective view of a pizza cutter showing my new design;
FIG. 2 is a front elevation view thereof;
FIG. 3 is a right side elevation view thereof;
FIG. 4 is a left side elevation view thereof;
FIG. 5 is a top plan view thereof;
FIG. 6 is a bottom plan view thereof; and,
FIG. 7 is a rear elevation view thereof.

1 Claim, 2 Drawing Sheets



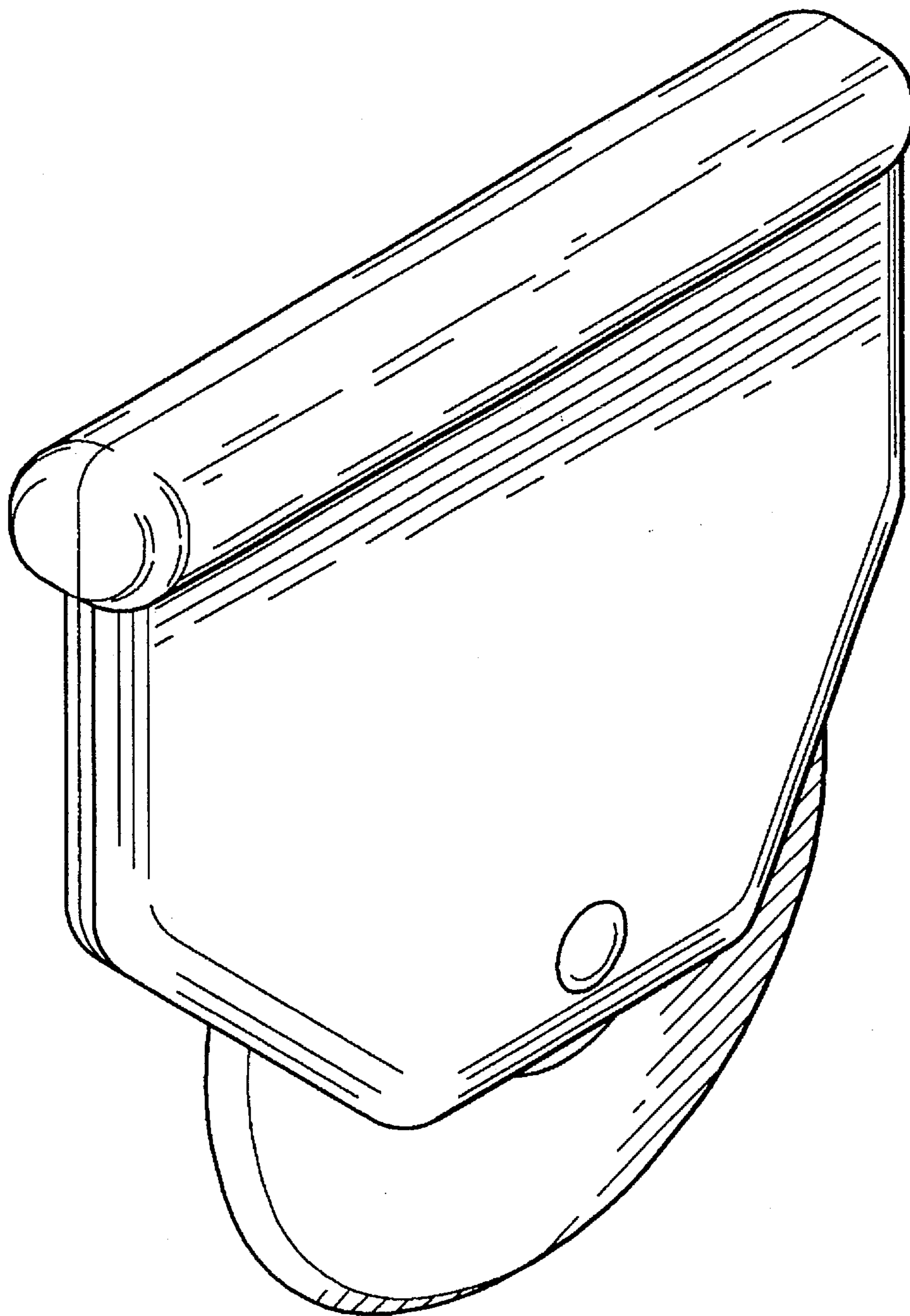


FIG 1

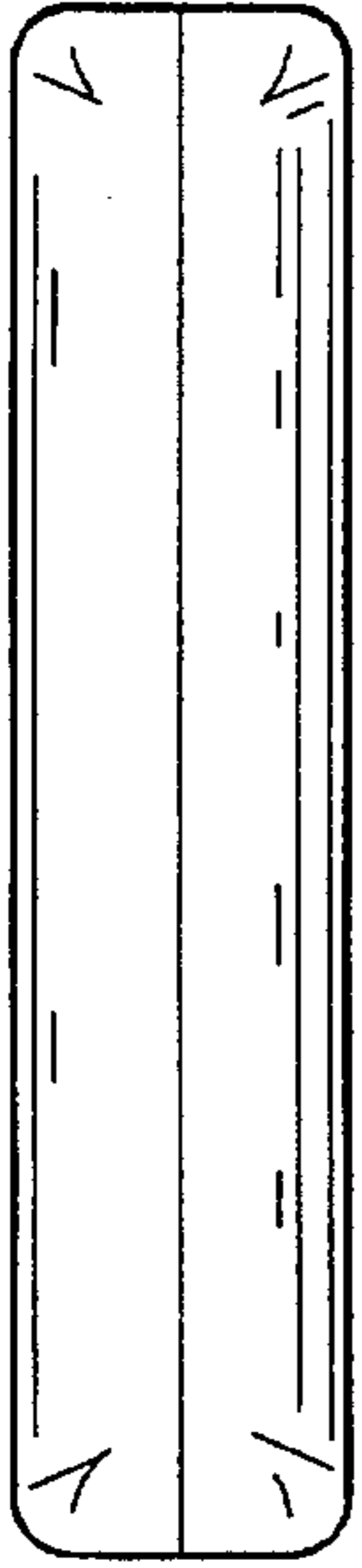


FIG 5

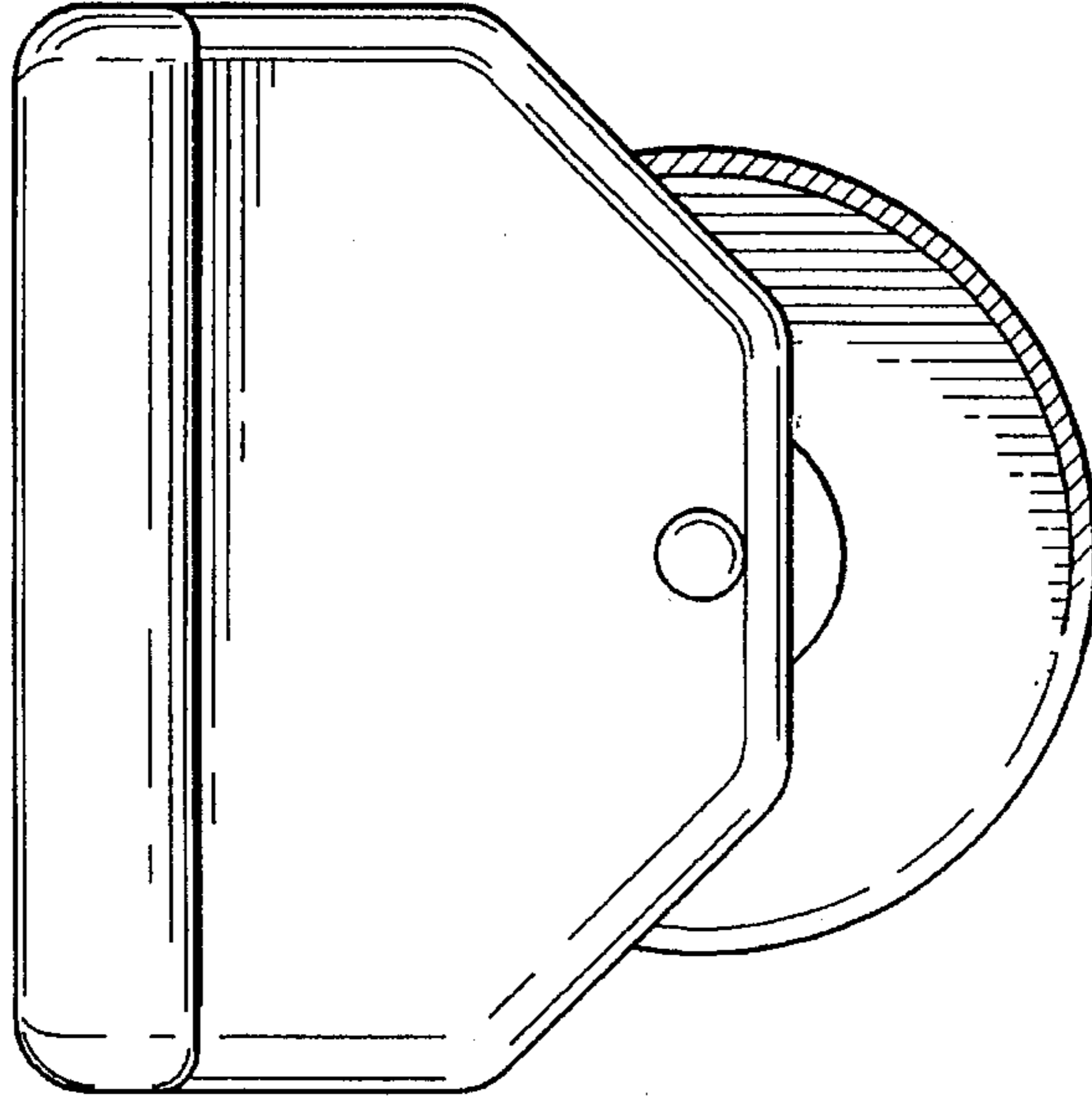


FIG 2

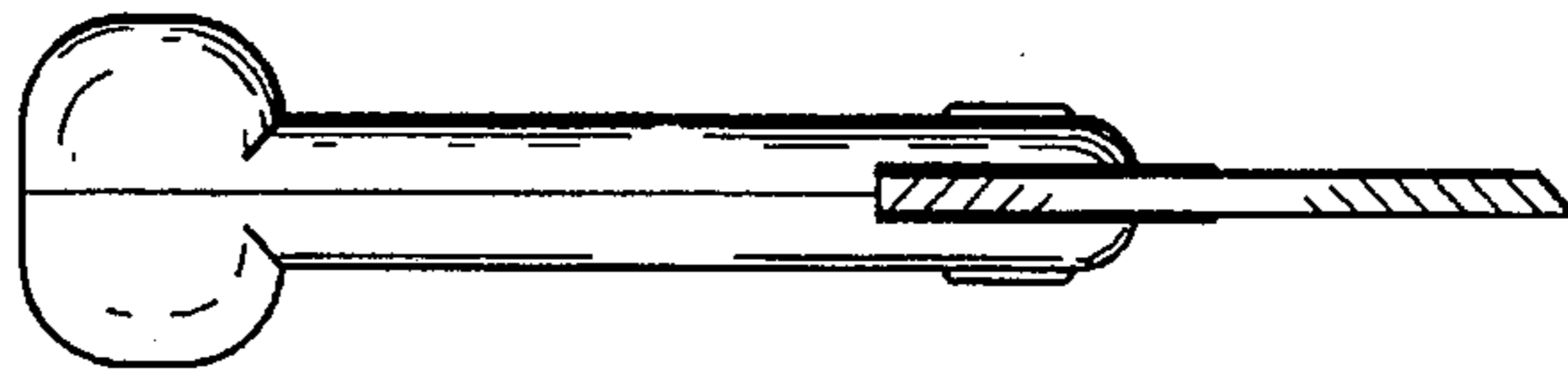


FIG 4

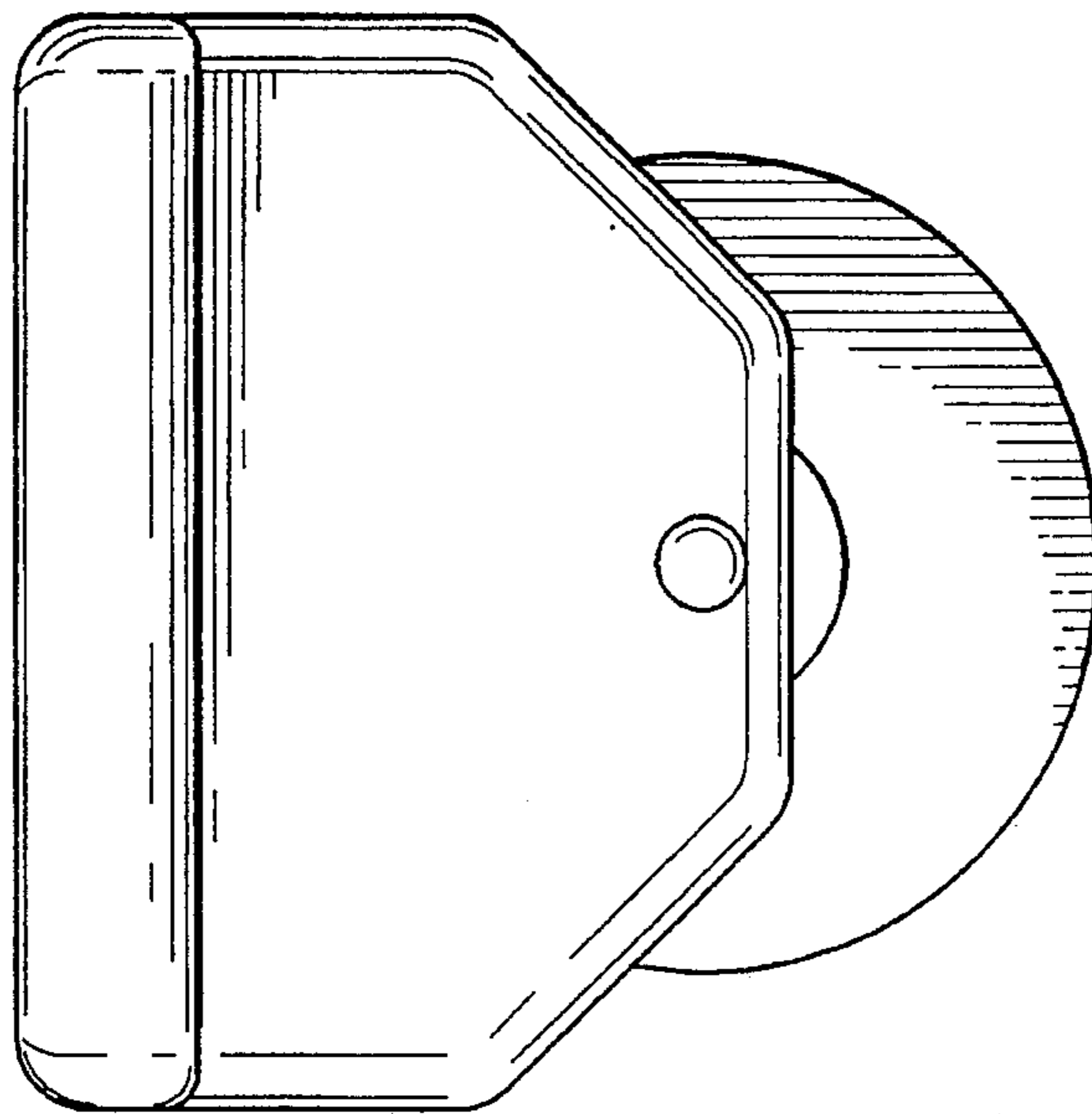


FIG 7

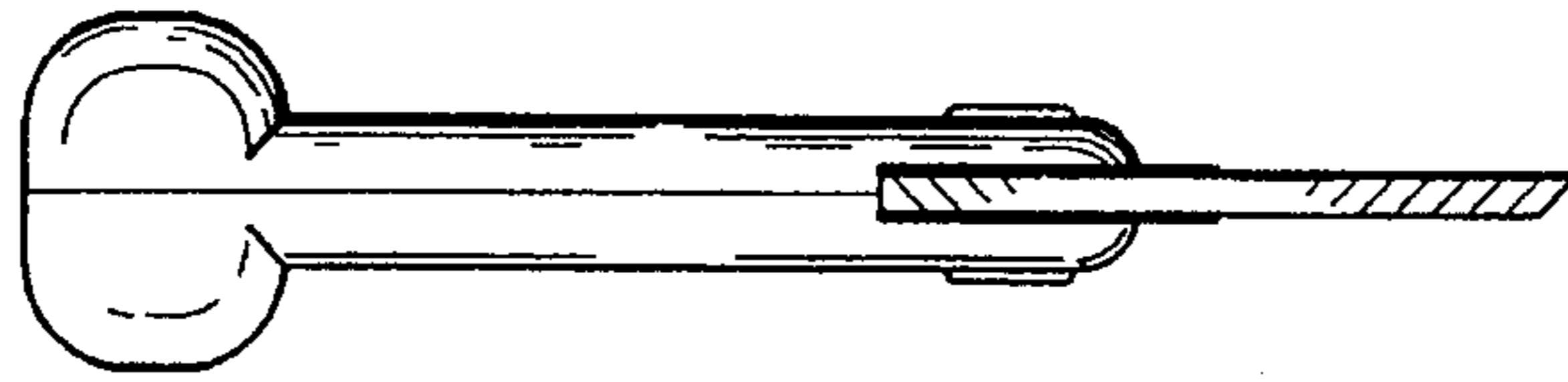


FIG 3



FIG 6