



US00D375661S

United States Patent [19]

Ross et al.

[11] Patent Number: **Des. 375,661**

[45] Date of Patent: ****Nov. 19, 1996**

[54] WATERMELON SLICER

[76] Inventors: **Gregory J. Ross; Amy M. Ross**, both of 99 Latimer Ave., Strabane, Pa. 15363

[**] Term: **14 Years**

[21] Appl. No.: **47,644**

[22] Filed: **Dec. 8, 1995**

[52] U.S. Cl. **D7/673**

[58] Field of Search **D7/673; 30/114, 30/117, 304, 305, 299; 99/538**

2,824,588	2/1958	Lyon et al.	30/114
3,094,062	6/1963	Boeke et al. .	
5,035,056	7/1991	Sheffield .	

Primary Examiner—Terry A. Wallace
Attorney, Agent, or Firm—Dennis H. Lambert

[57] CLAIM

The ornamental design for a watermelon slicer, as shown and described.

DESCRIPTION

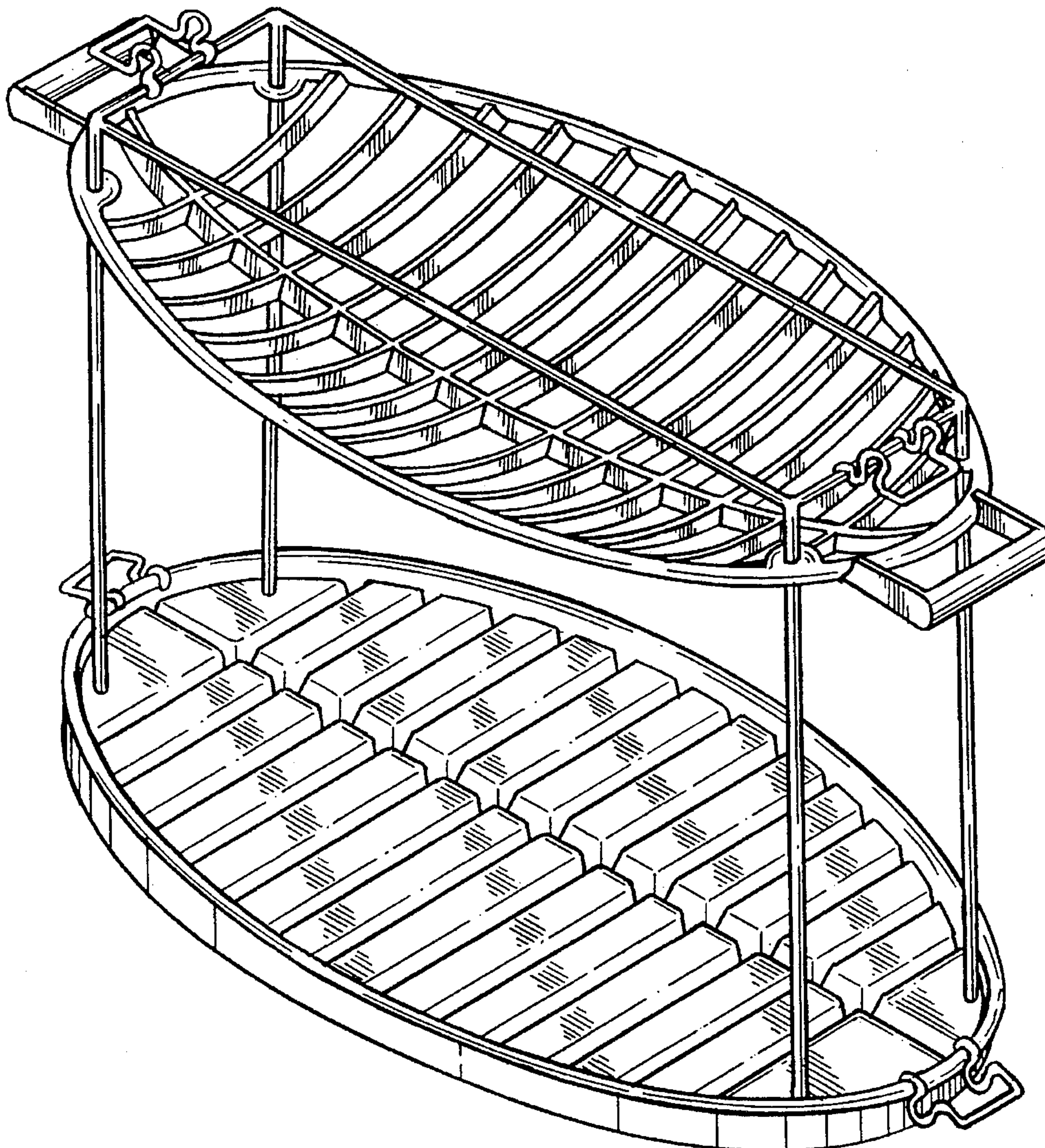
FIG. 1 is a front, top and side perspective view of the watermelon slicer embodying the design; FIG. 2 is a front elevational view thereof; FIG. 3 is a side elevational view thereof, the side opposite being a mirror image of the side shown in FIG. 3; FIG. 4 is a top plan view thereof; and, FIG. 5 is a bottom plan view thereof.

1 Claim, 5 Drawing Sheets

[56] References Cited

U.S. PATENT DOCUMENTS

D. 158,999	6/1950	Paul	D7/673 X
D. 231,304	4/1974	Shultz	D7/673
D. 308,803	6/1990	Horton et al.	D7/673
2,114,277	4/1938	Bloomfield	30/117
2,661,535	5/1952	Berles .	



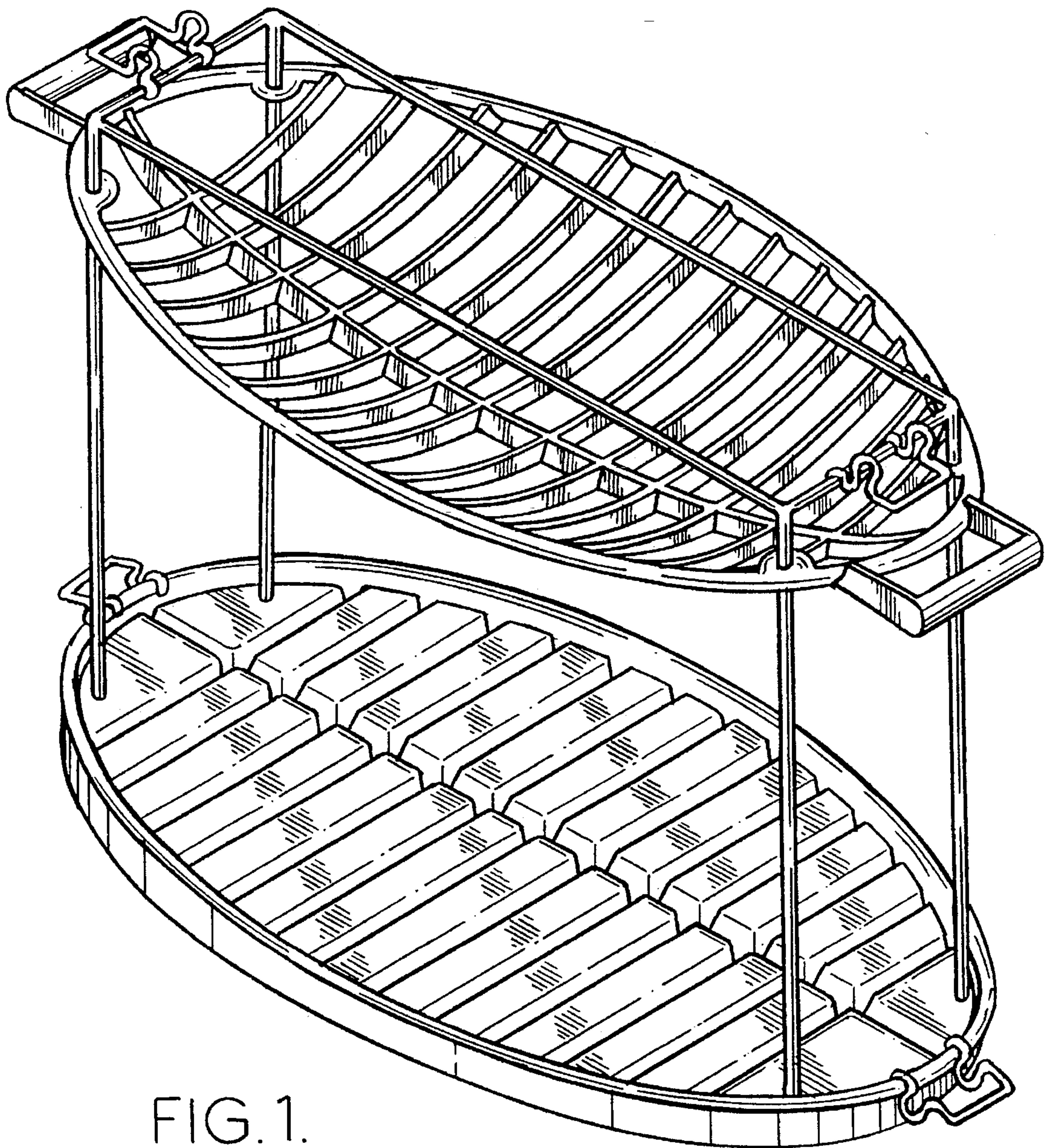


FIG. 1.

FIG. 2.

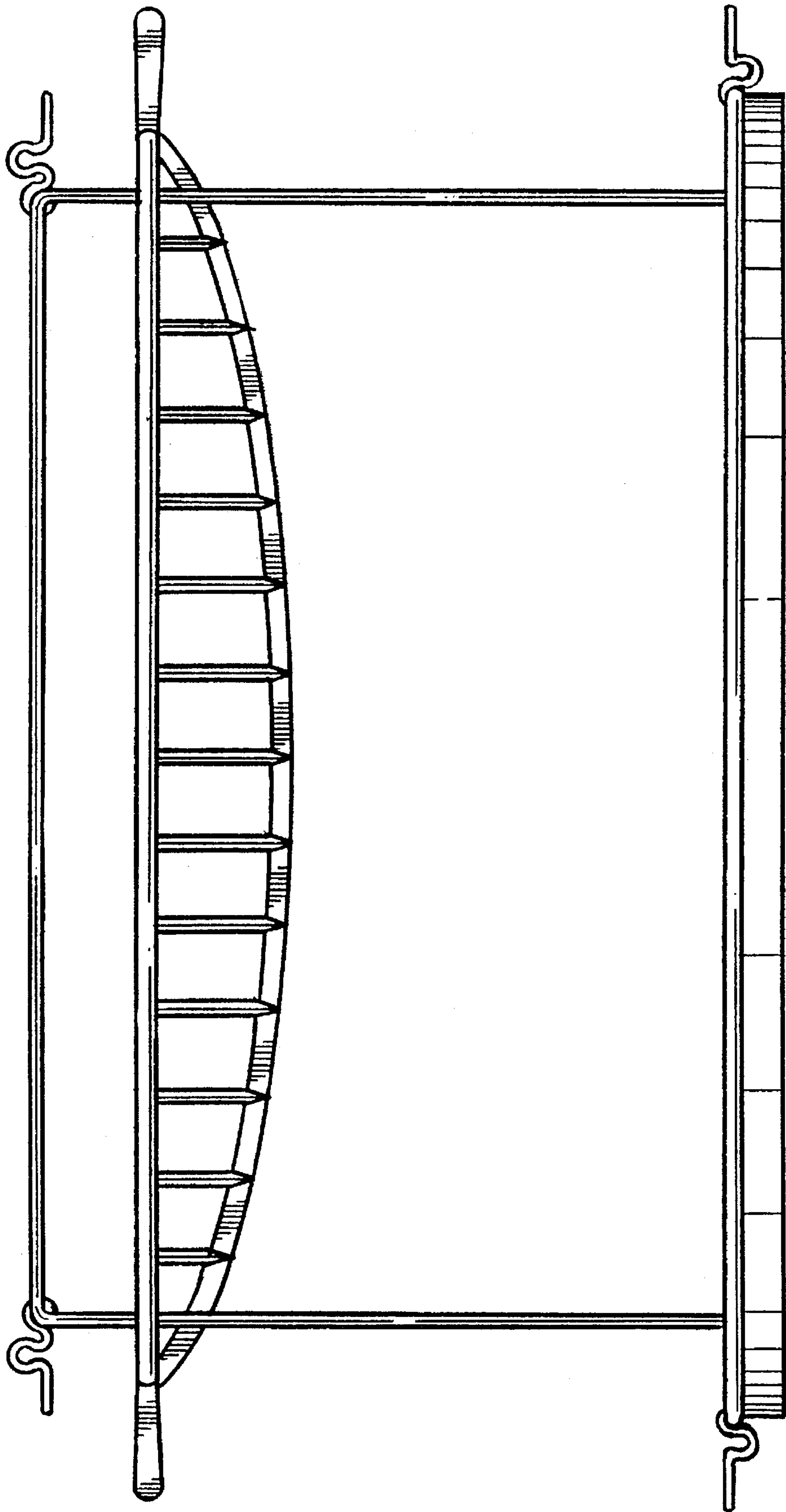


FIG. 3

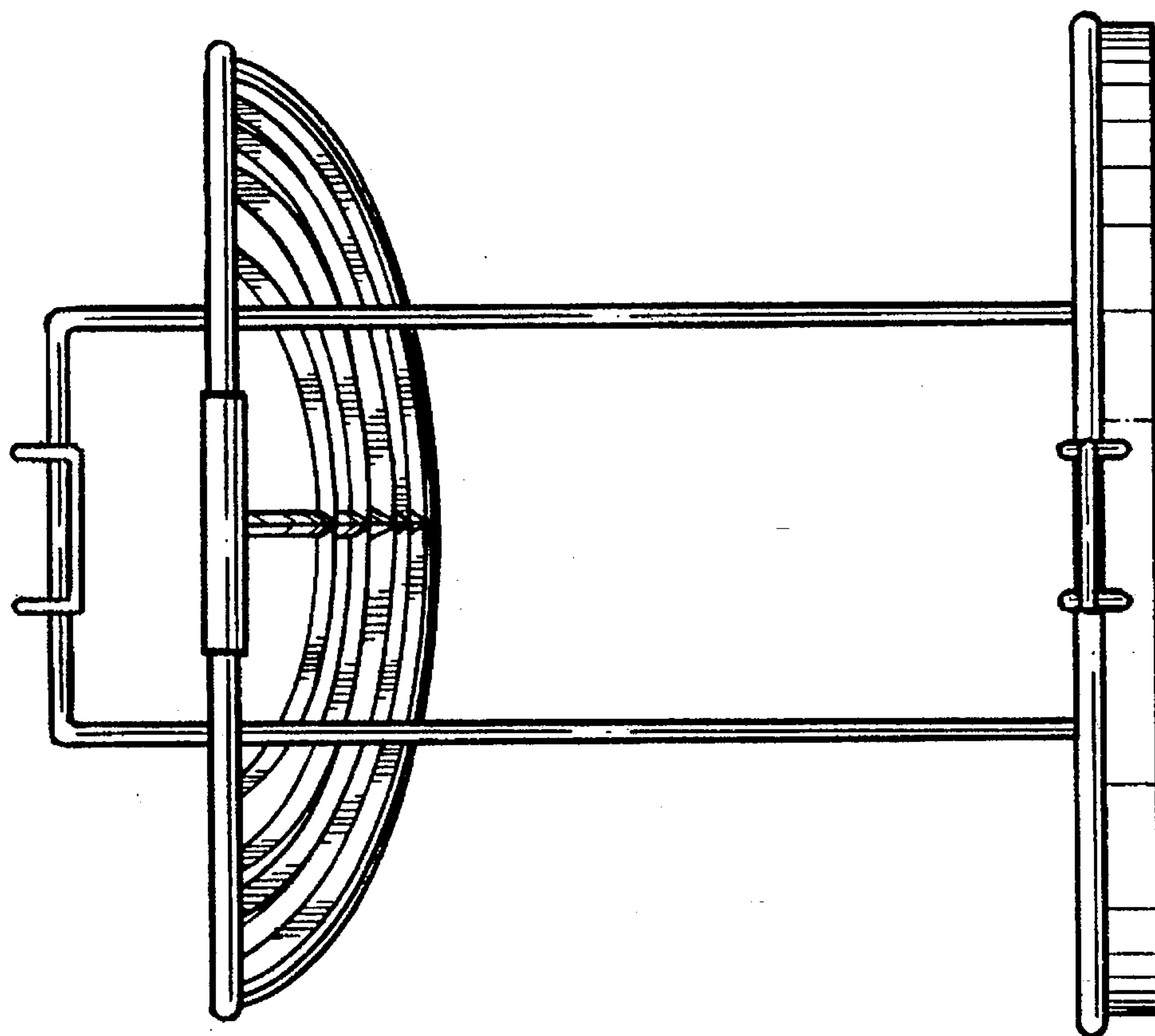


FIG. 4.

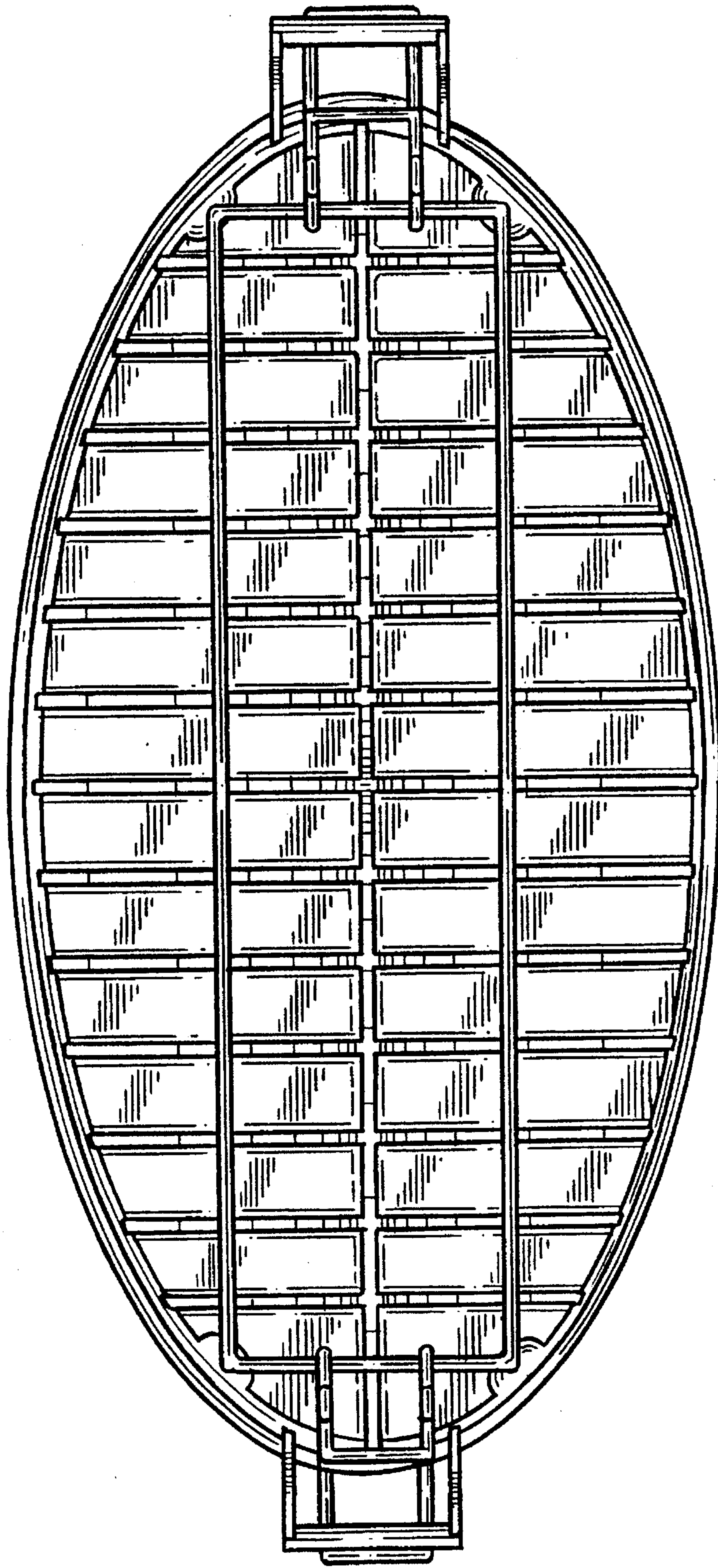


FIG. 5.

