



US00D375660S

United States Patent [19]
Parris

[11] **Patent Number: Des. 375,660**

[45] **Date of Patent: **Nov. 19, 1996**

[54] **WINE BOTTLE CARRIER**

[76] Inventor: **Steve B. Parris**, P.O. Box 5104, Santa Monica, Calif. 90405

[**] Term: **14 Years**

[21] Appl. No.: **46,071**

[22] Filed: **Nov. 6, 1995**

[52] U.S. Cl. **D7/628**; D3/204; D3/276; D3/294

[58] Field of Search D3/204, 269, 276, D3/294; D7/628; D9/307; 62/457.1, 457.7, 371, 530; 206/457, 14; 220/412; 984/259; 150/162

[56] **References Cited**

U.S. PATENT DOCUMENTS

D. 280,359	9/1985	Bohunsky	D3/204
2,627,887	2/1953	Becker	206/14
2,895,834	7/1959	Brav	206/457 X
4,846,340	7/1989	Walther	206/14

Primary Examiner—Terry A. Wallace

[57] **CLAIM**

The ornamental design for a wine bottle carrier, as shown and described.

DESCRIPTION

FIG. 1 is a perspective view of a wine bottle carrier showing my new design in an open position, the bottle shown in broken lines is for illustrative purposes only and forms no part of the claimed design;

FIG. 2 is a top view thereof in the closed position;

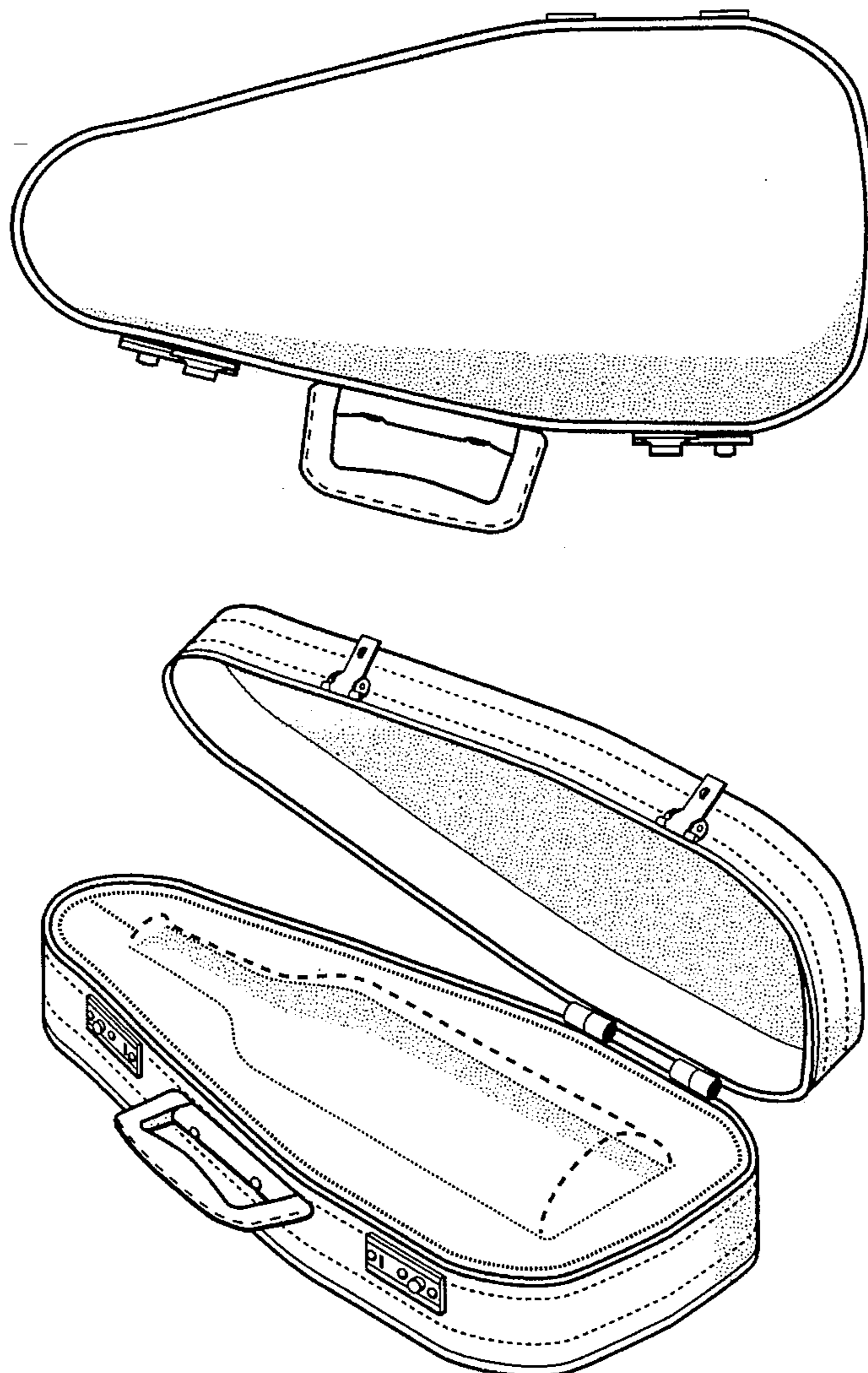
FIG. 3 is a right side elevational view thereof in the closed position;

FIG. 4 is a rear elevational view thereof in the closed position;

FIG. 5 is a front elevational view thereof in the closed position;

FIG. 6 is a bottom view thereof in the closed position; and, FIG. 7 is a left side elevational view thereof in the closed position.

1 Claim, 2 Drawing Sheets



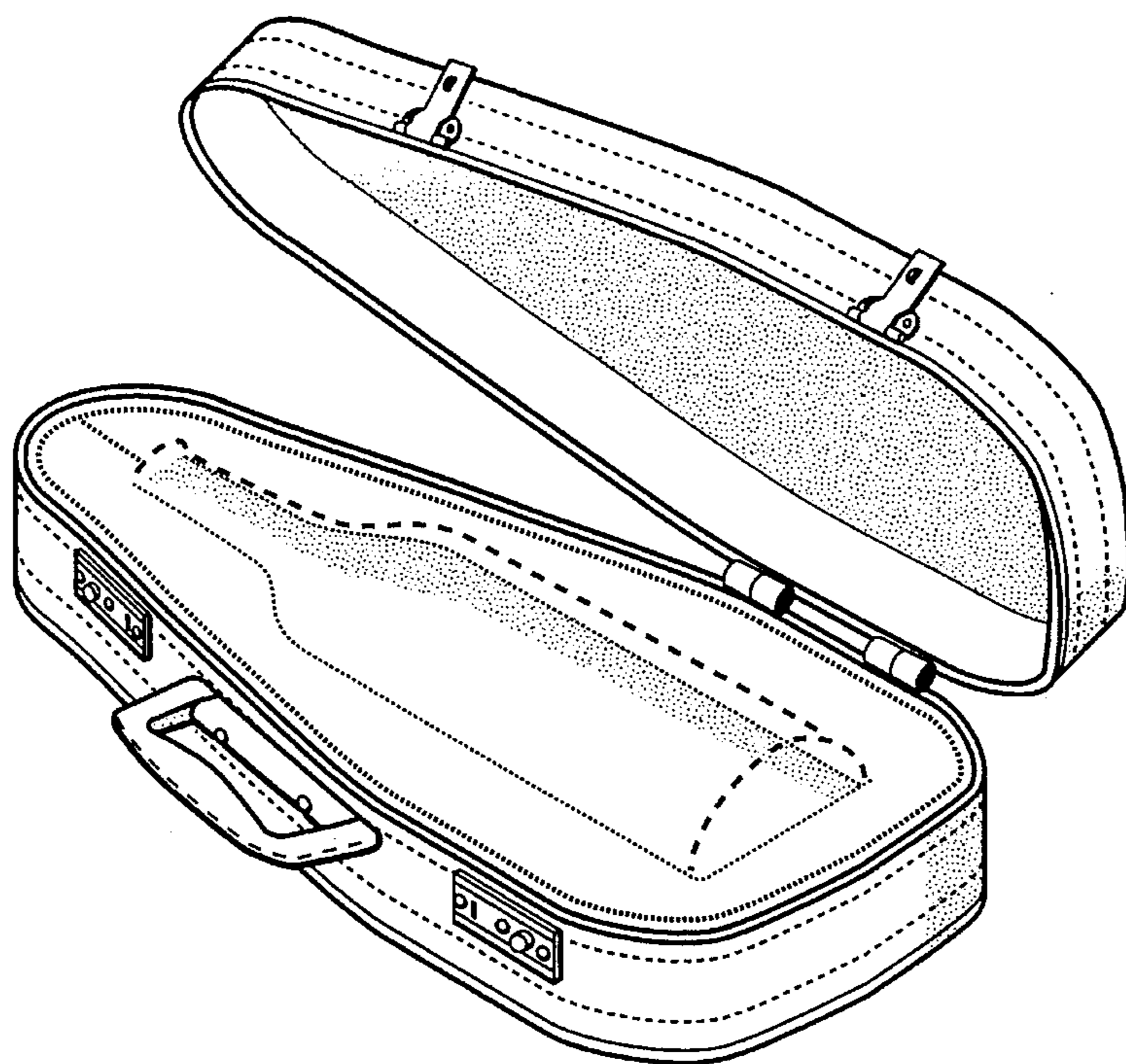


Fig. 1

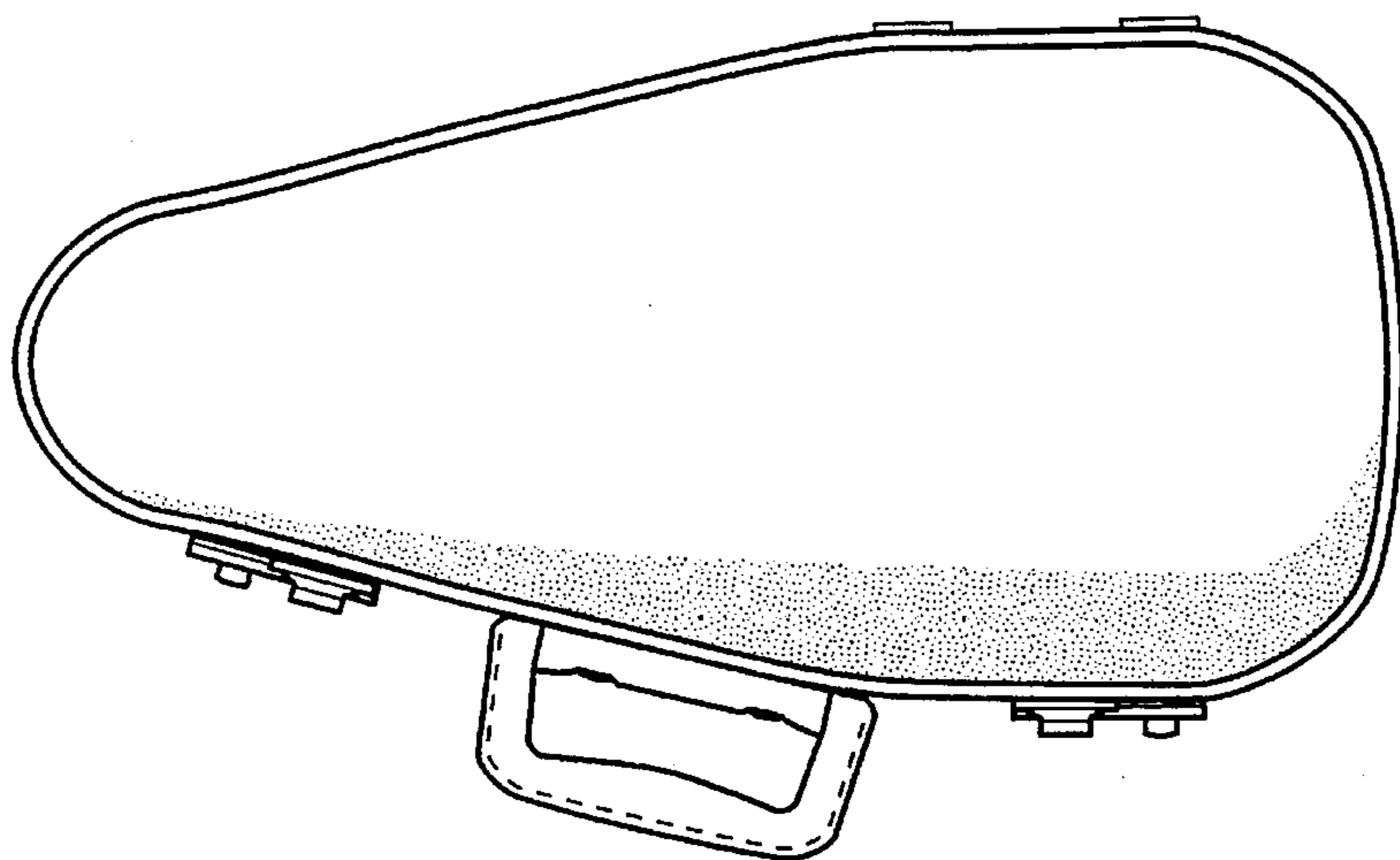


Fig. 2

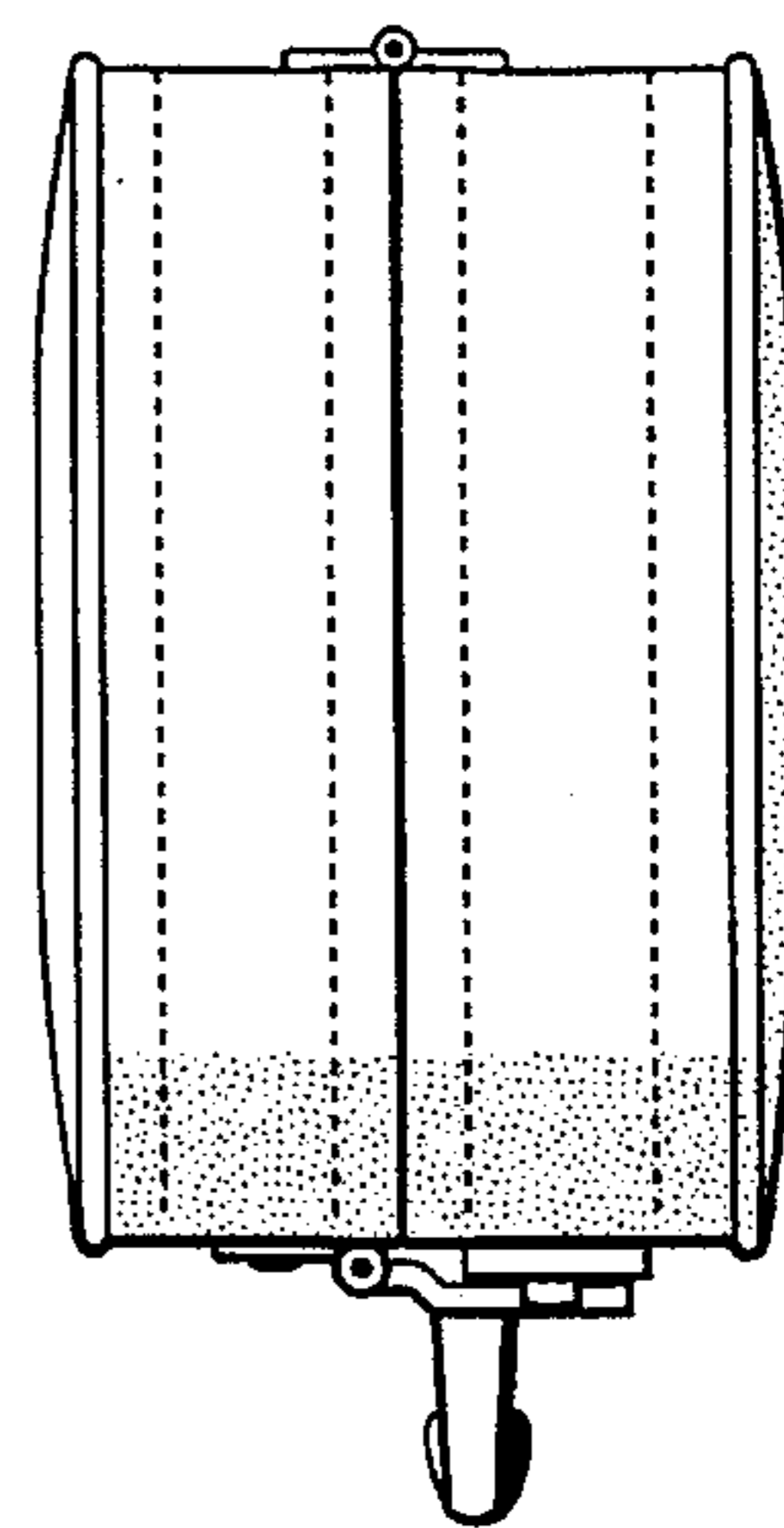


Fig. 3

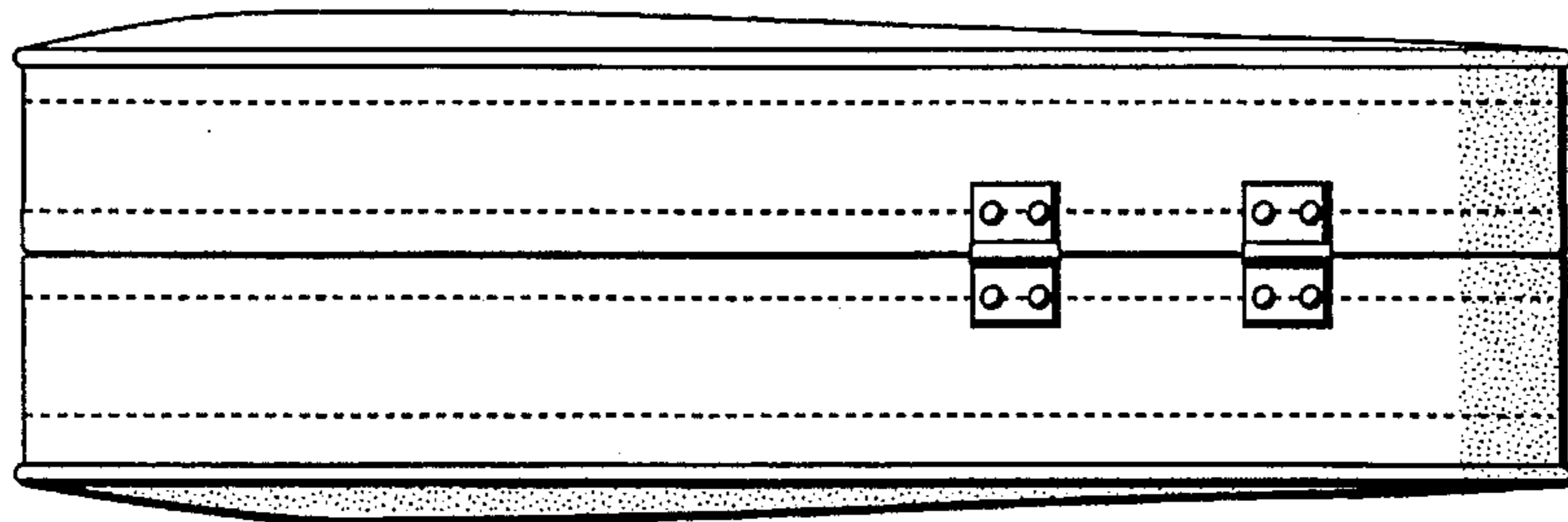


Fig. 4

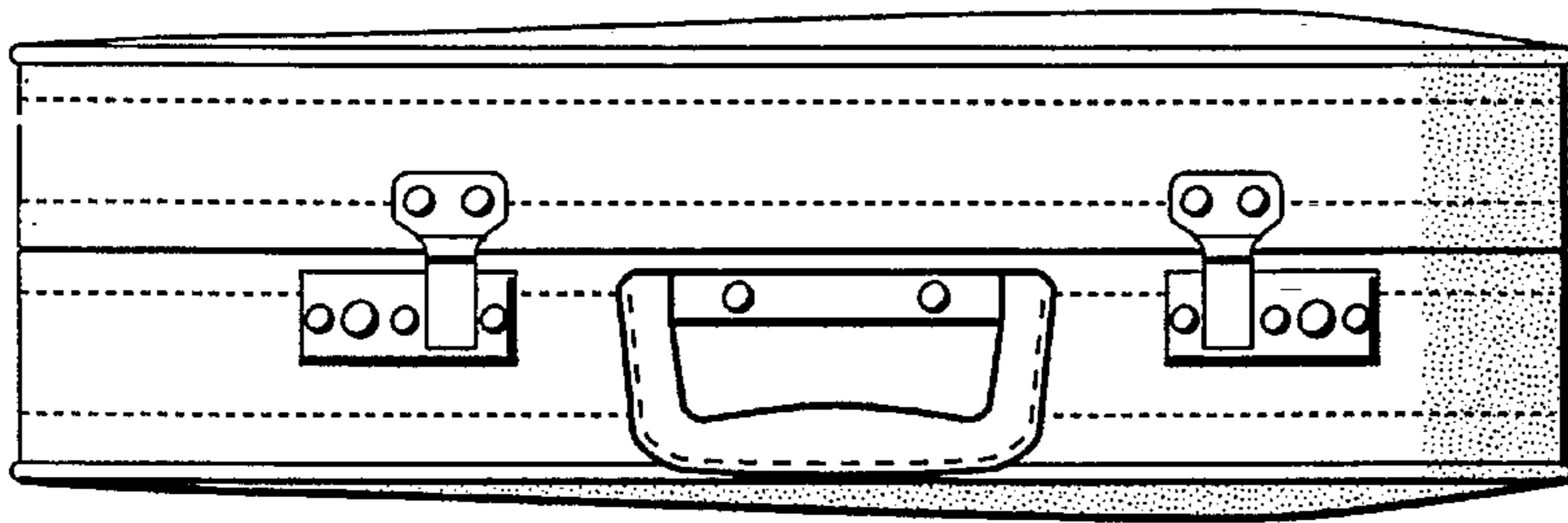


Fig. 5

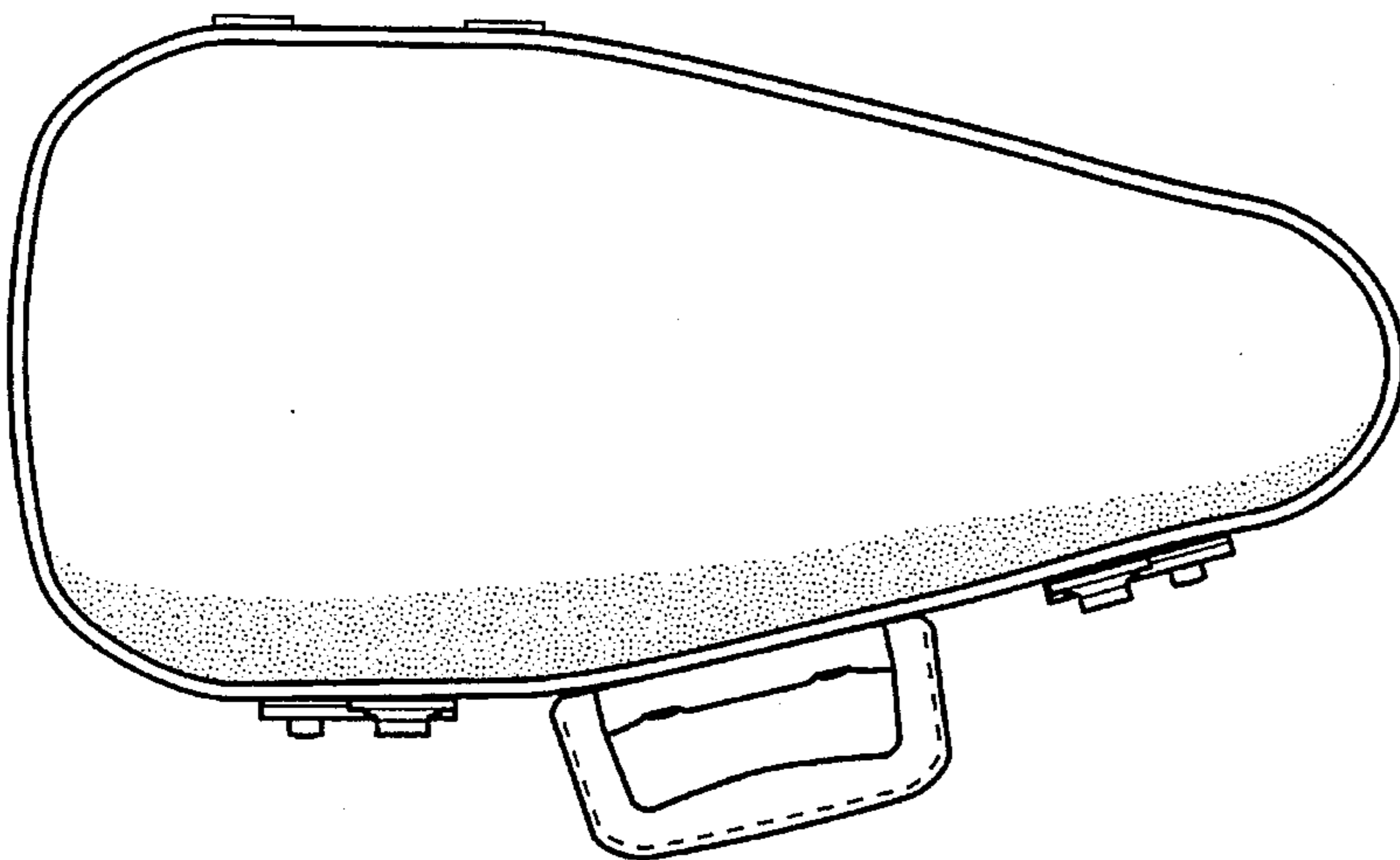


Fig. 6

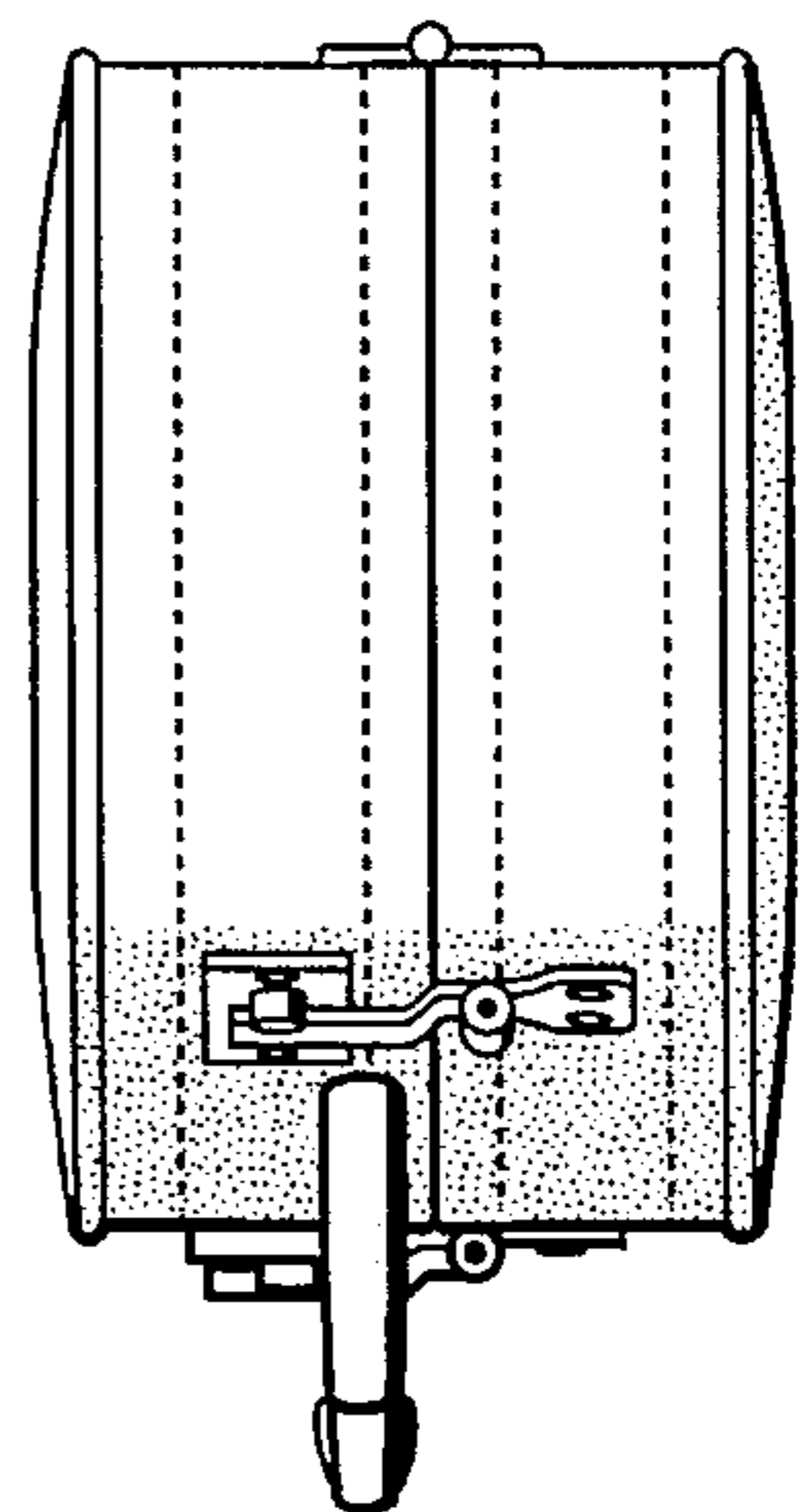


Fig. 7