



US00D375659S

# United States Patent [19] Lipic

[11] Patent Number: **Des. 375,659**

[45] Date of Patent: **\*\*Nov. 19, 1996**

[54] **COASTER**

[75] Inventor: **Joseph G. Lipic**, St. Louis, Mo.

[73] Assignee: **Alexander Manufacturing Company**,  
St. Louis, Mo.

[\*\*] Term: **14 Years**

[21] Appl. No.: **49,770**

[22] Filed: **Jan. 30, 1996**

[52] U.S. Cl. .... **D7/624**

[58] Field of Search ..... **D7/624-625; 215/392-394;  
220/737**

[56] **References Cited**

**U.S. PATENT DOCUMENTS**

D. 181,026	9/1957	Sengstack	.....	D7/624 X
D. 228,721	10/1973	Todd	.....	D7/624
D. 229,655	12/1973	Cyren	.....	D7/624
D. 245,662	9/1977	Hall	.....	D7/624
D. 301,532	6/1989	Hölteizscheidt	.....	D7/624

*Primary Examiner*—Terry A. Wallace  
*Attorney, Agent, or Firm*—Polster, Lieder Woodruff & Lucchese, L.C.

[57] **CLAIM**

The ornamental design for a coaster, as shown and described.

**DESCRIPTION**

FIG. 1 is a perspective view of a coaster showing my new design;

FIG. 2 is a top plan view thereof;

FIG. 3 is a bottom plan view thereof;

FIG. 4 is a side elevational view thereof;

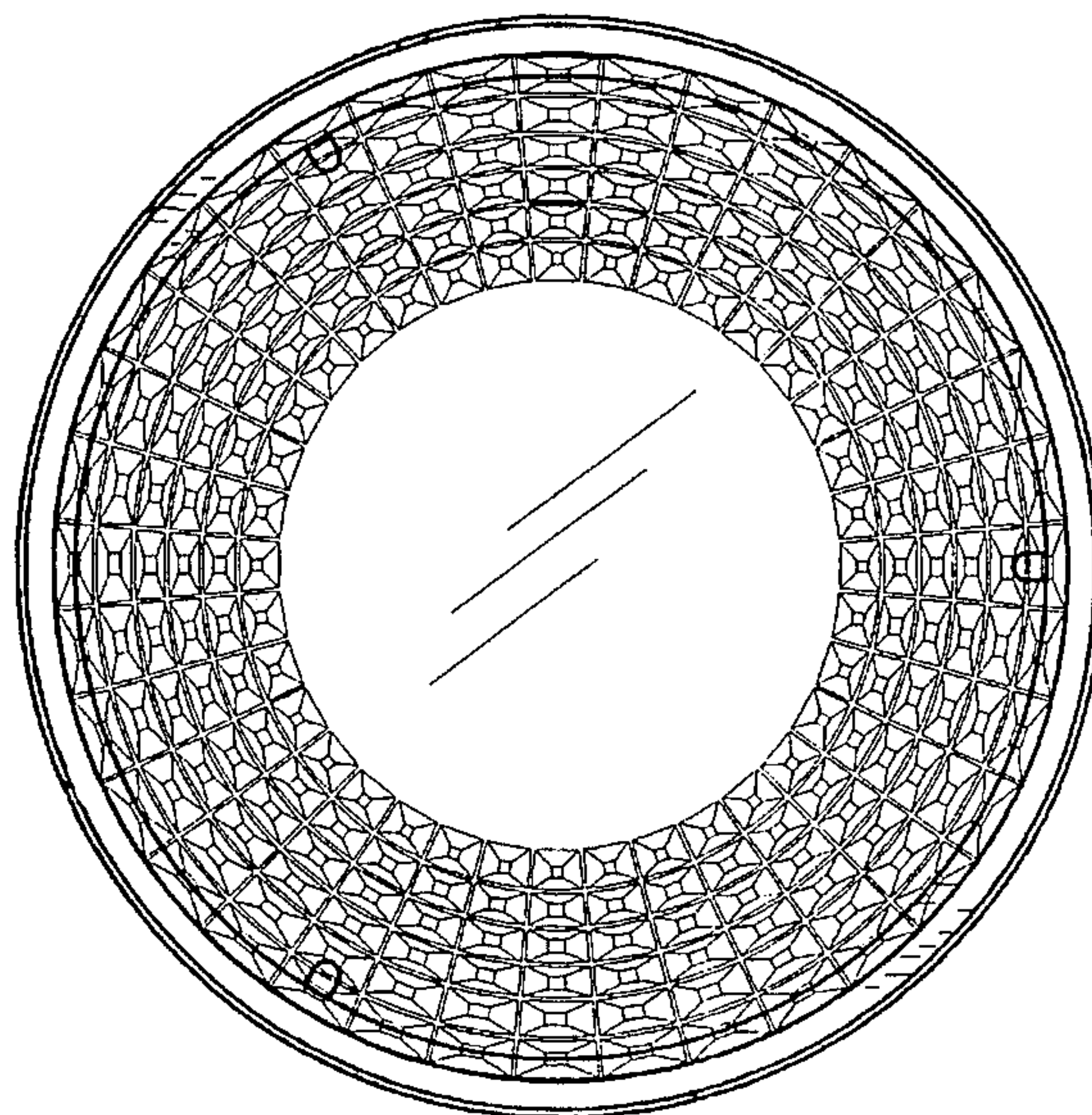
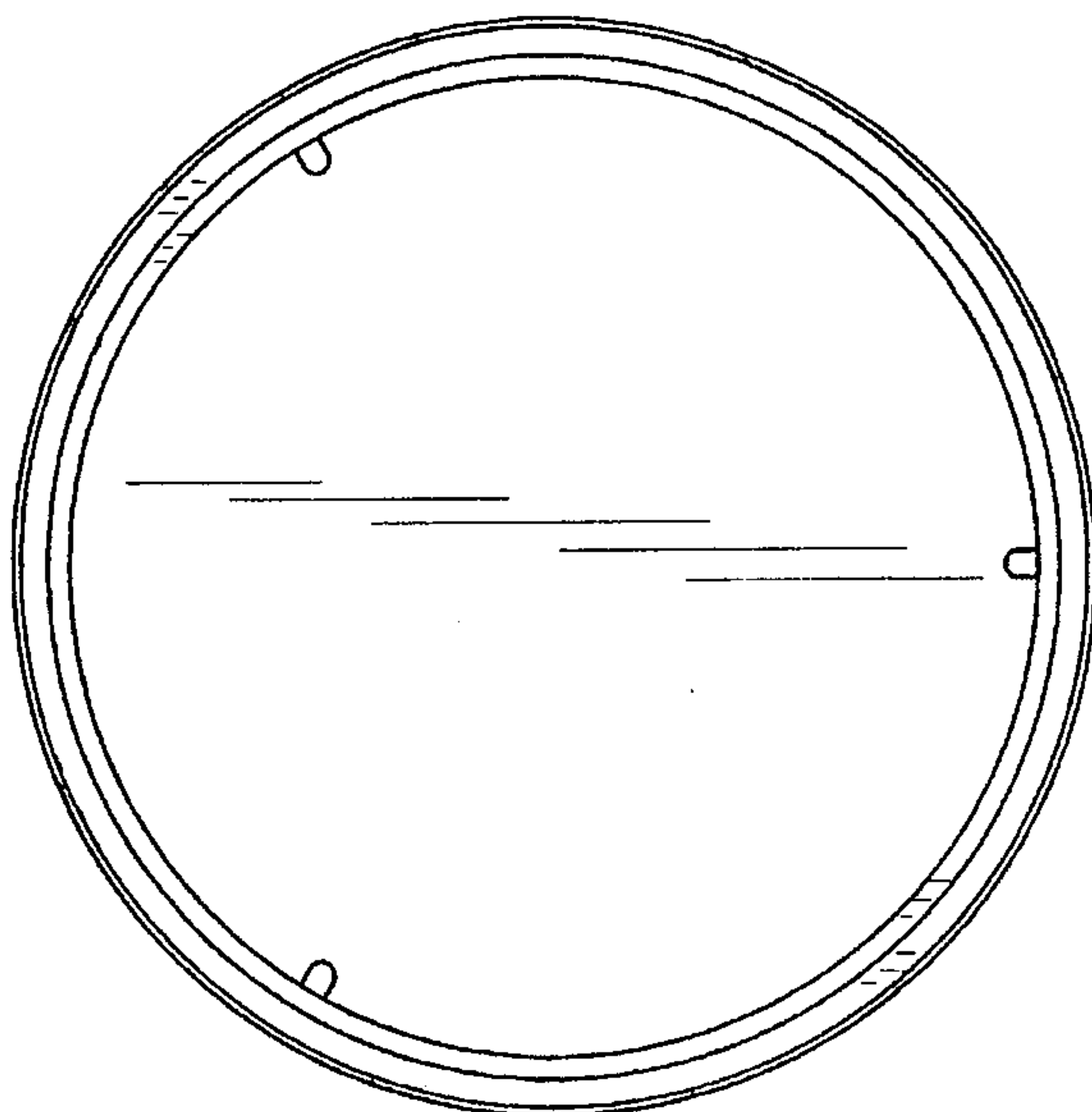
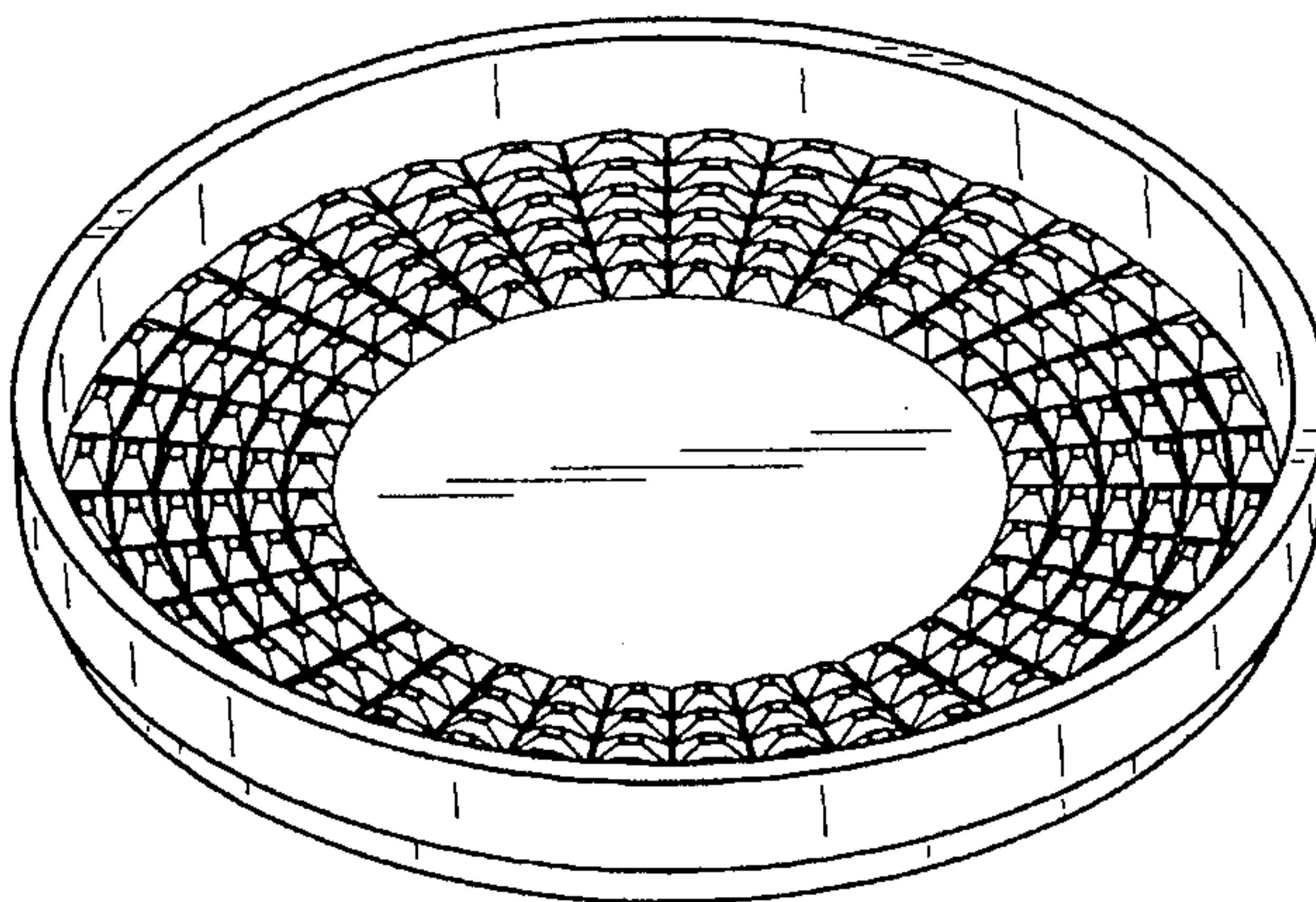
FIG. 5 is a perspective view of an alternate embodiment of FIG. 1;

FIG. 6 is a top plan view of FIG. 5;

FIG. 7 is a bottom plan view of FIG. 5; and,

FIG. 8 is a side elevational view of FIG. 5.

**1 Claim, 2 Drawing Sheets**



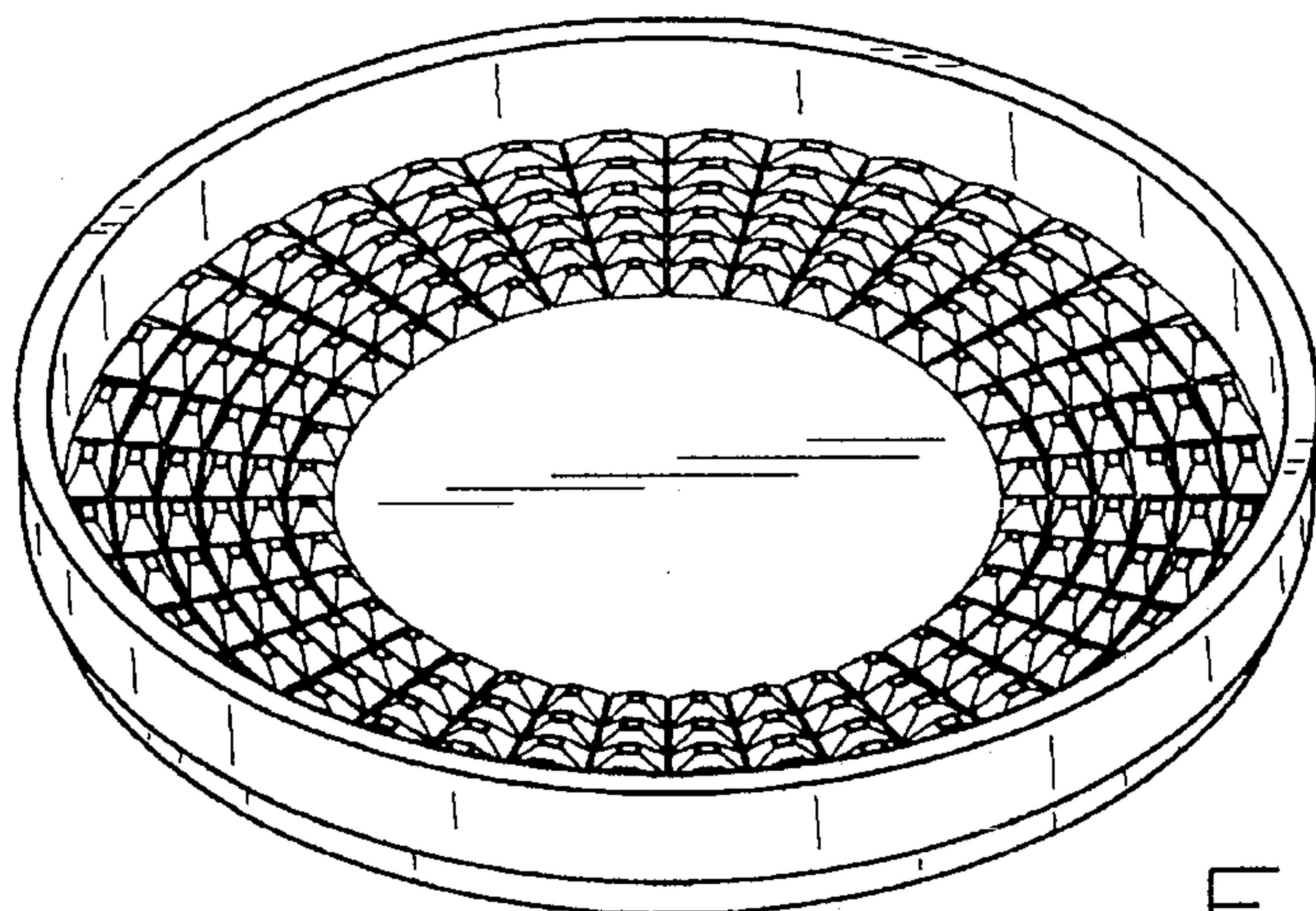


FIG. 1

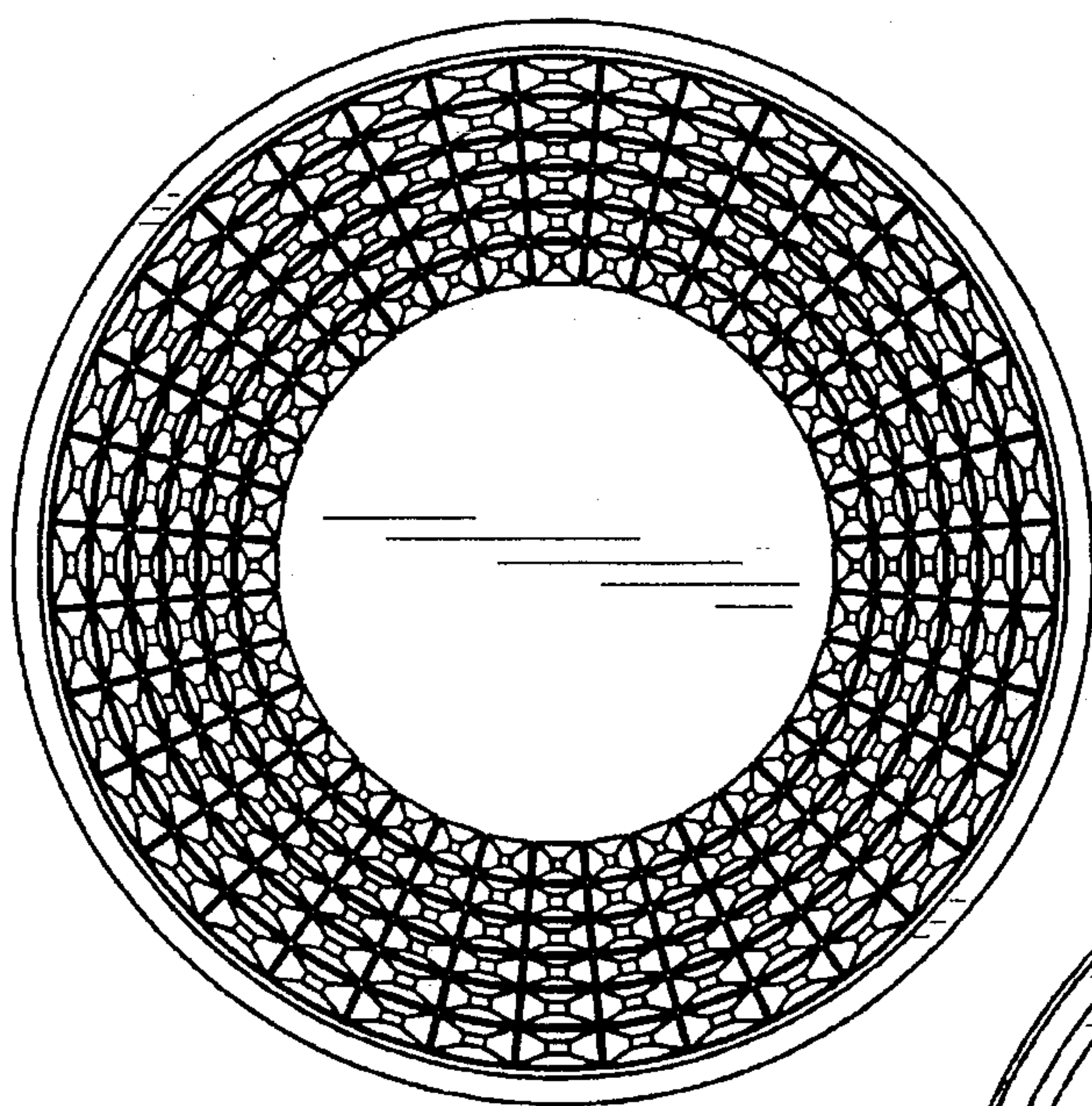


FIG. 2

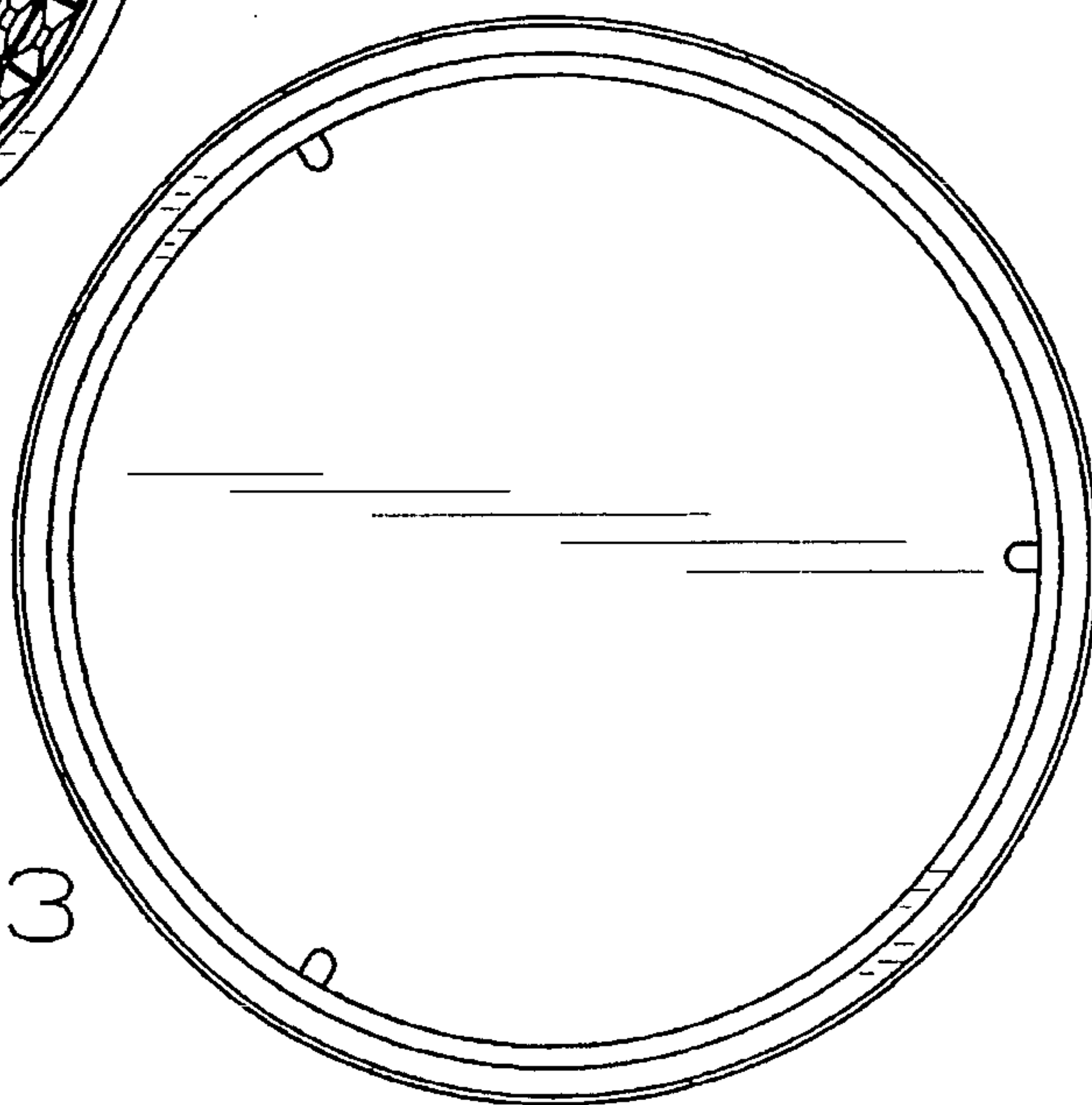


FIG. 3

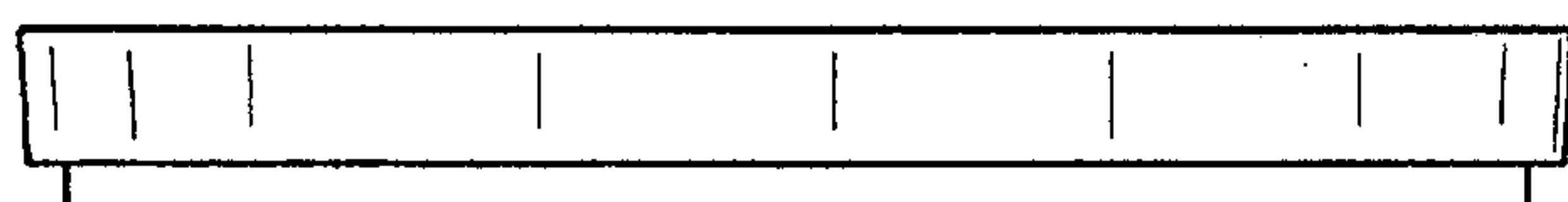


FIG. 4



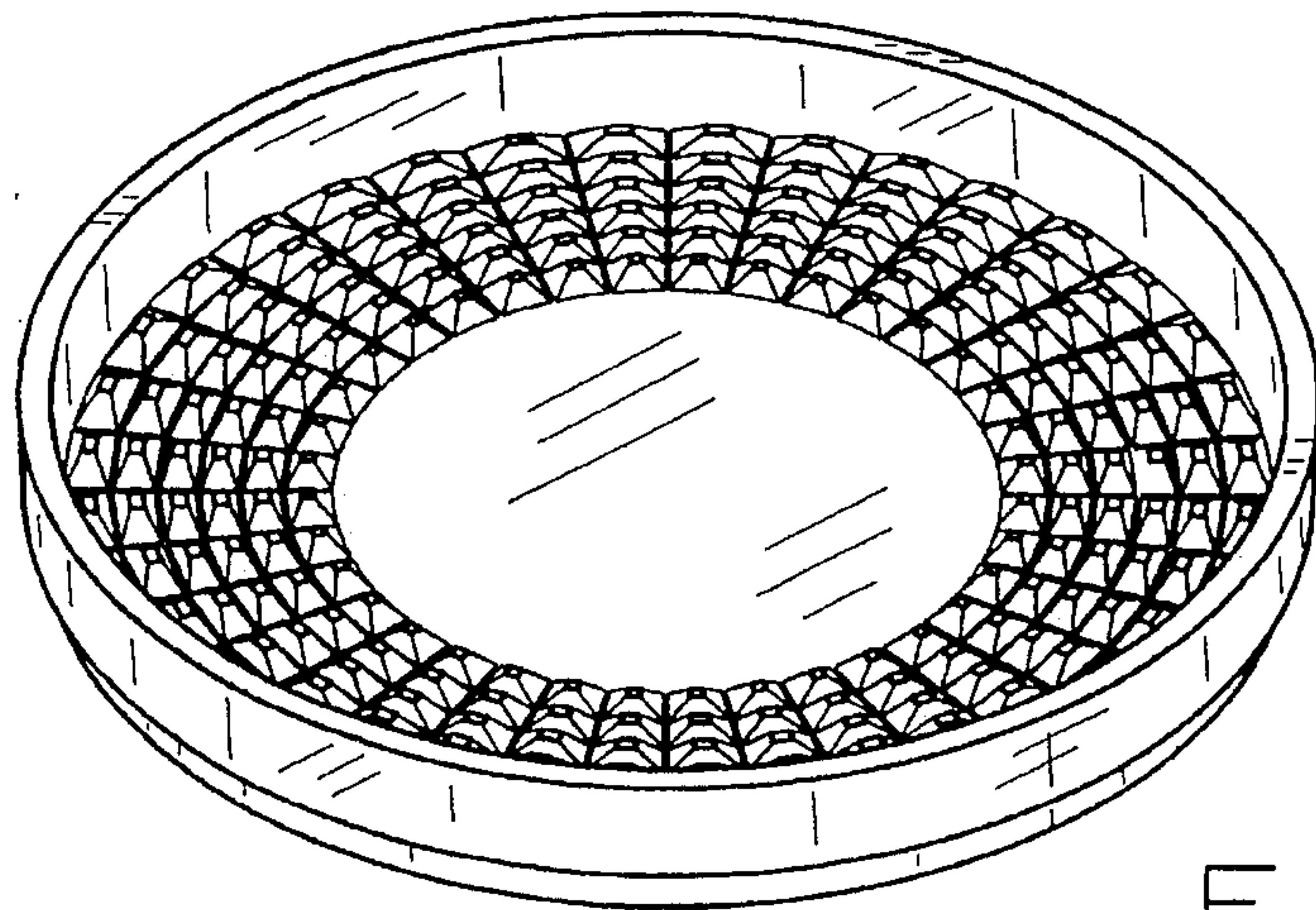


FIG. 5

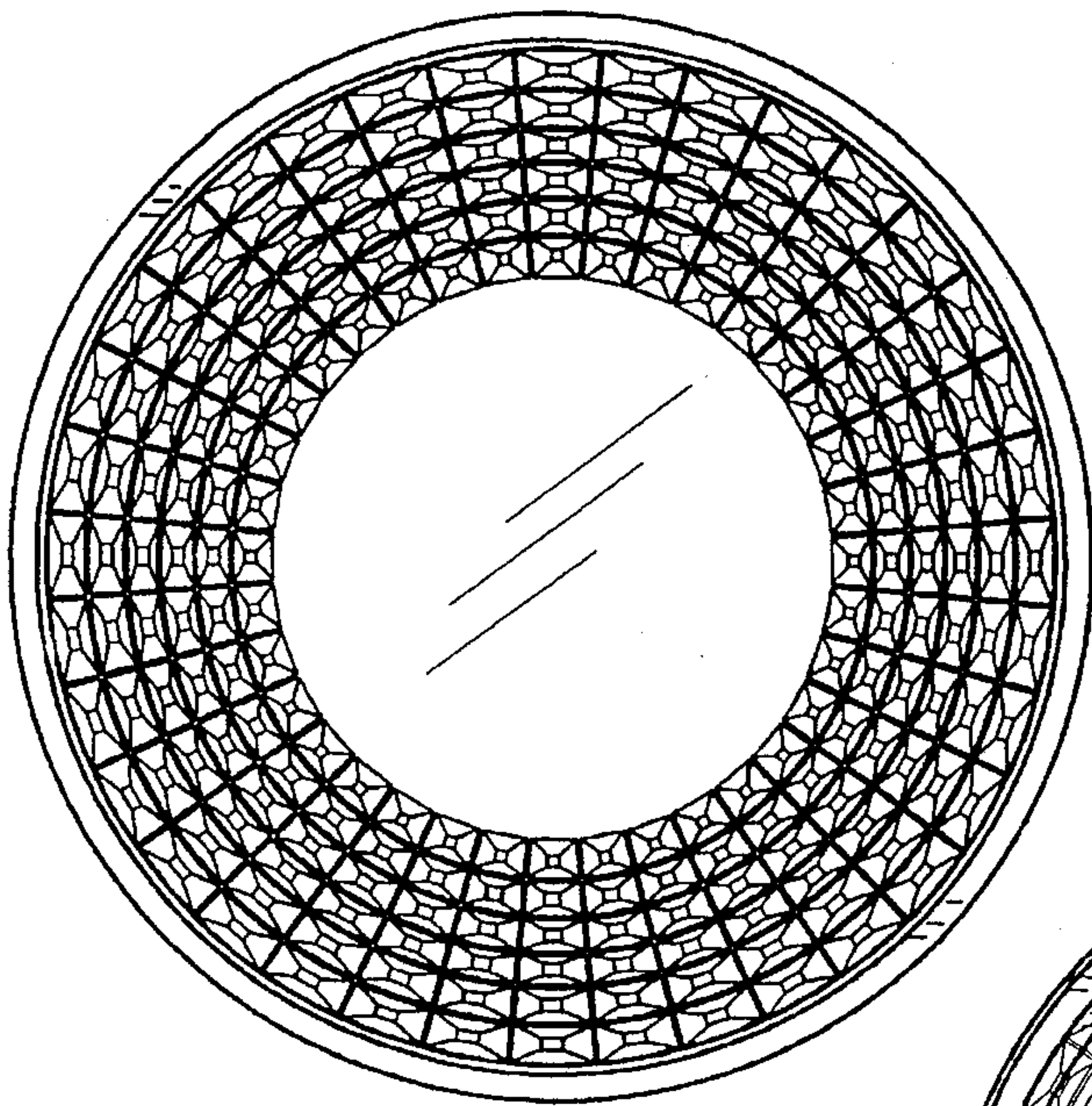


FIG. 6

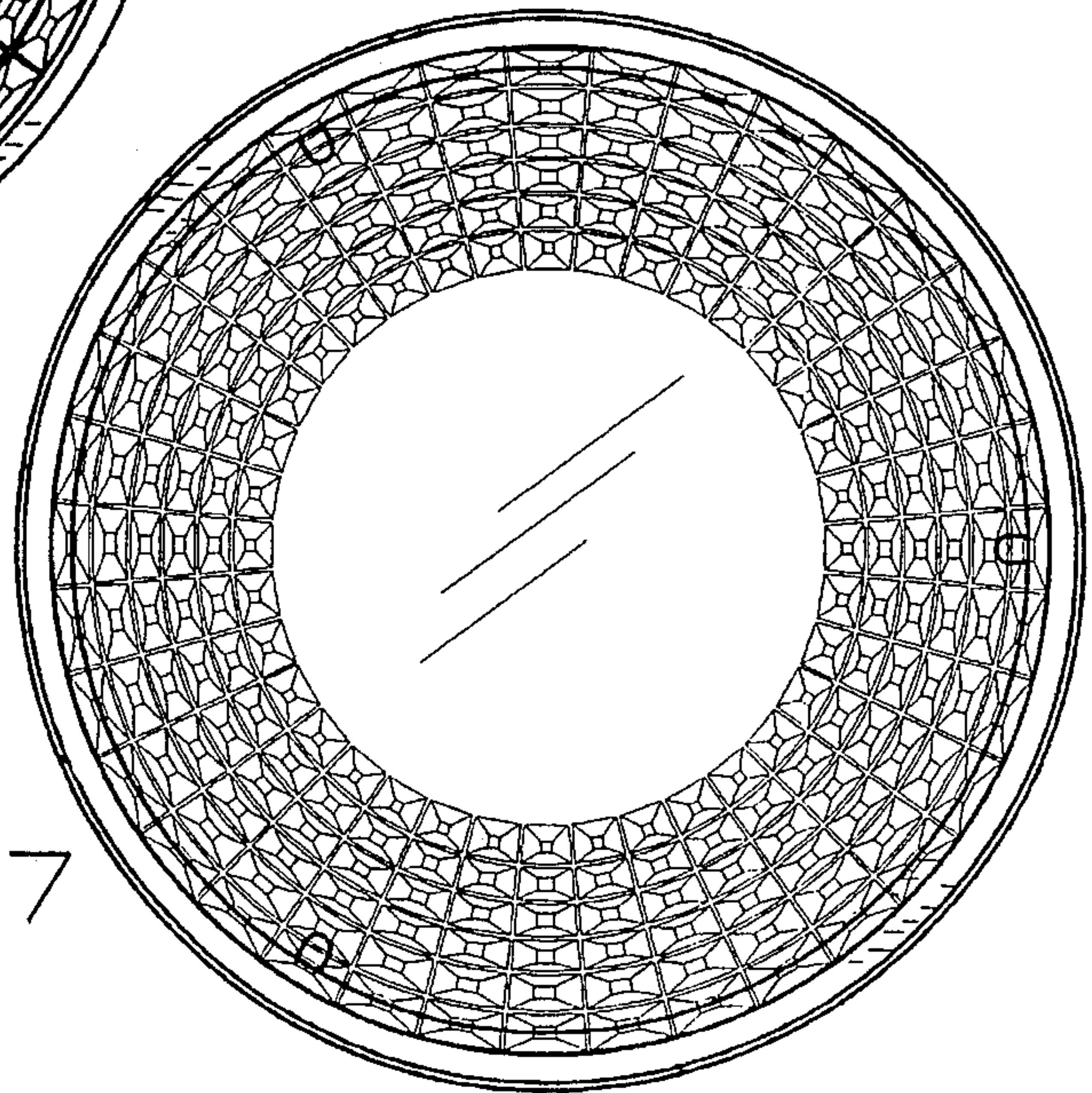


FIG. 7



FIG. 8