

**United States Patent** [19]

**Ferris**

[11] **Patent Number: Des. 375,653**

[45] **Date of Patent: \*\*Nov. 19, 1996**

- [54] **COVER FOR FOOD CONTAINER**
- [75] Inventor: **Ian Ferris**, Finchampstead, England
- [73] Assignee: **Dart Industries Inc.**, Deerfield, Ill.
- [\*\*] Term: **14 Years**
- [21] Appl. No.: **43,924**
- [22] Filed: **Sep. 28, 1995**
- [52] U.S. Cl. .... **D7/392.1; D7/391**
- [58] Field of Search ..... **D7/392.1, 391, D7/392, 387, 629, 601, 602, 538, 542; D9/435, 428, 454; 220/326, 575, 23.8, 556, 213**

- D. 325,847 5/1992 Wolff .
- D. 350,880 9/1994 Van Valkenburg et al. .... D7/542 X
- D. 367,361 2/1996 Kobilarcik et al. .... D9/435 X
- 3,307,603 3/1967 Swett ..... D7/629 X
- 3,397,823 8/1968 Kirkpatrick ..... 22/326
- 3,424,342 1/1976 Scopp et al. .... D9/428
- 4,412,630 11/1983 Daenen .

*Primary Examiner*—M. N. Pandozzi  
*Attorney, Agent, or Firm*—John A. Doninger

[57] **CLAIM**

The ornamental design for a cover for food container, as shown and described.

**DESCRIPTION**

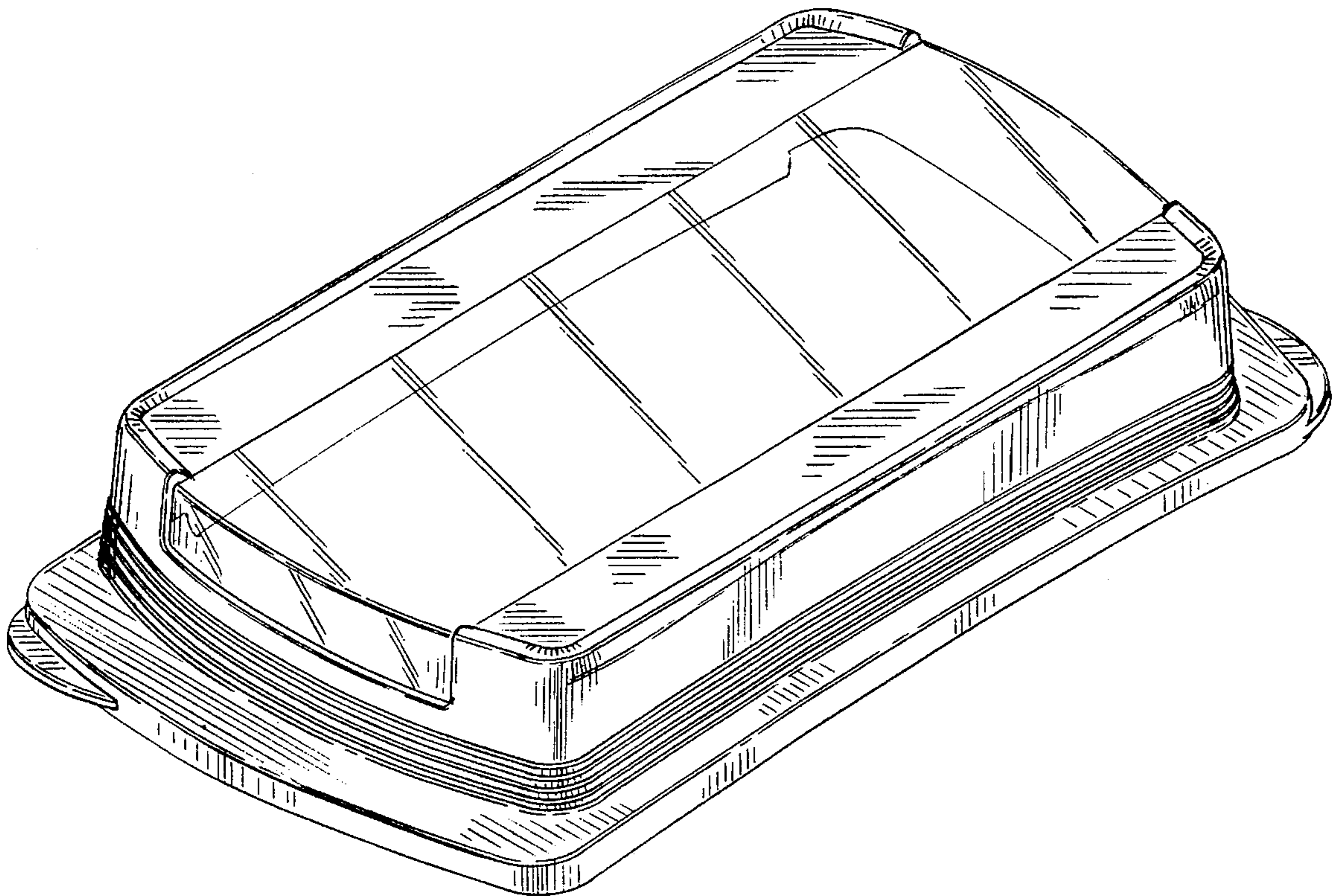
FIG. 1 is a top, front and side perspective view of a cover for food container showing my new design;  
 FIG. 2 is a left side elevational view thereof;  
 FIG. 3 is a right side elevational view thereof;  
 FIG. 4 is a front view thereof;  
 FIG. 5 is a rear view thereof;  
 FIG. 6 is a top plan thereof;  
 FIG. 7 is a bottom plan thereof;  
 FIG. 8 is a cross-section view thereof taken on line 8—8 in FIG. 6; and,  
 FIG. 9 is a cross-section view thereof taken on line 9—9 in FIG. 6.

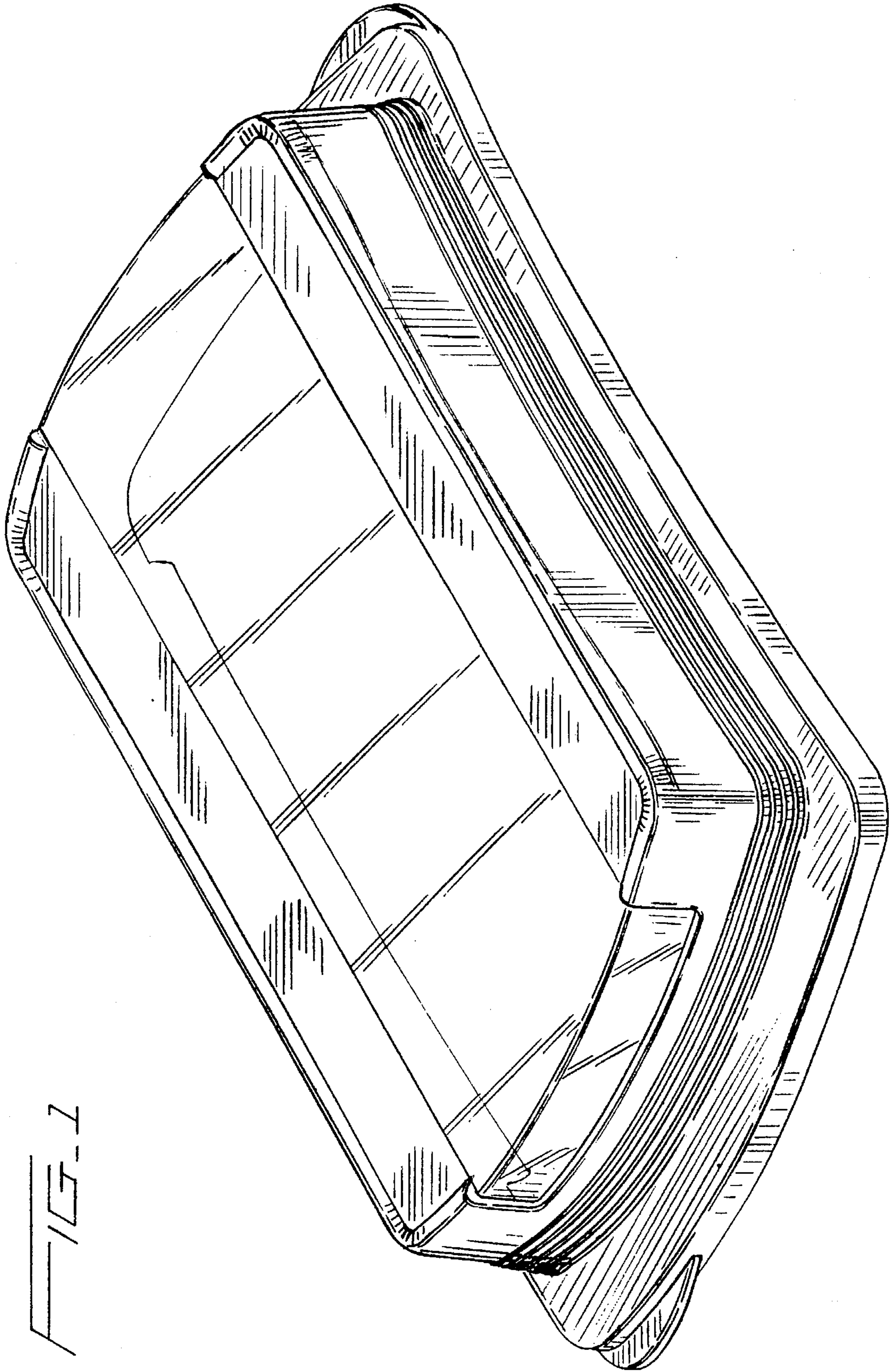
[56] **References Cited**

**U.S. PATENT DOCUMENTS**

- D. 175,202 7/1955 Tupper ..... D7/629
- D. 210,515 3/1968 Walter ..... D9/435
- D. 241,599 9/1976 Croyle ..... D7/629
- D. 250,505 12/1978 Seager ..... D7/392.1
- D. 253,331 11/1979 Olschewski .
- D. 289,719 5/1987 Daenen et al. .... D7/392.1
- D. 291,041 7/1987 Grange .
- D. 308,941 7/1990 Kong .
- D. 321,456 11/1995 Wolff ..... D7/391

**1 Claim, 5 Drawing Sheets**





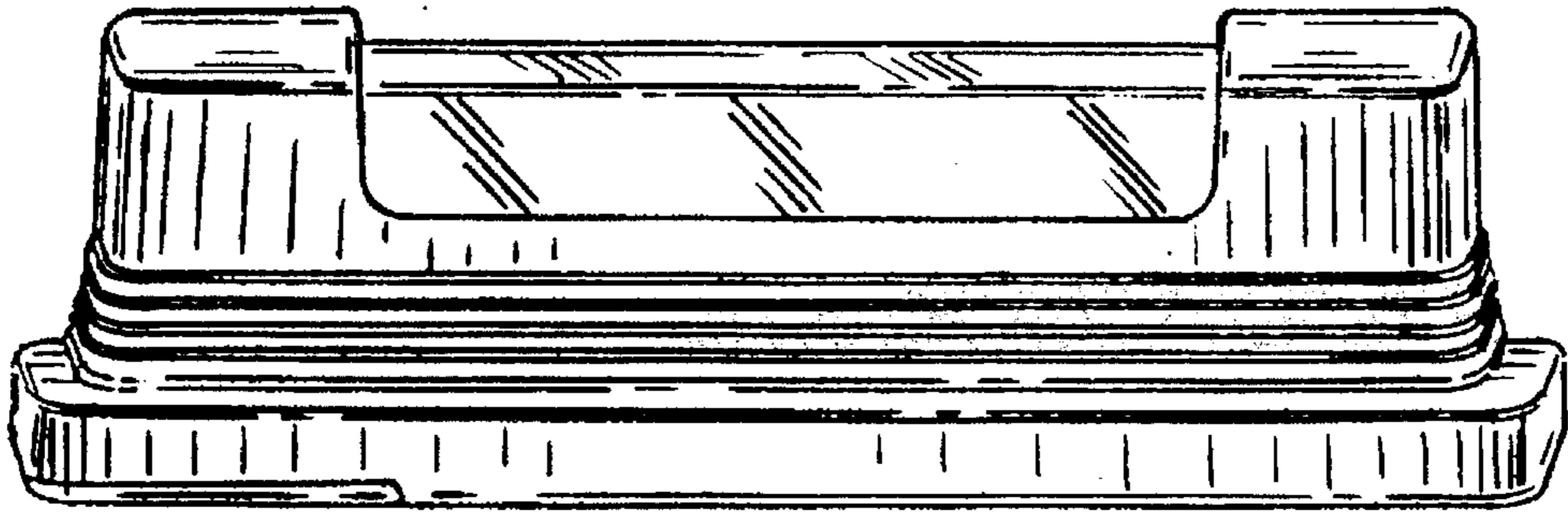


FIG. 1

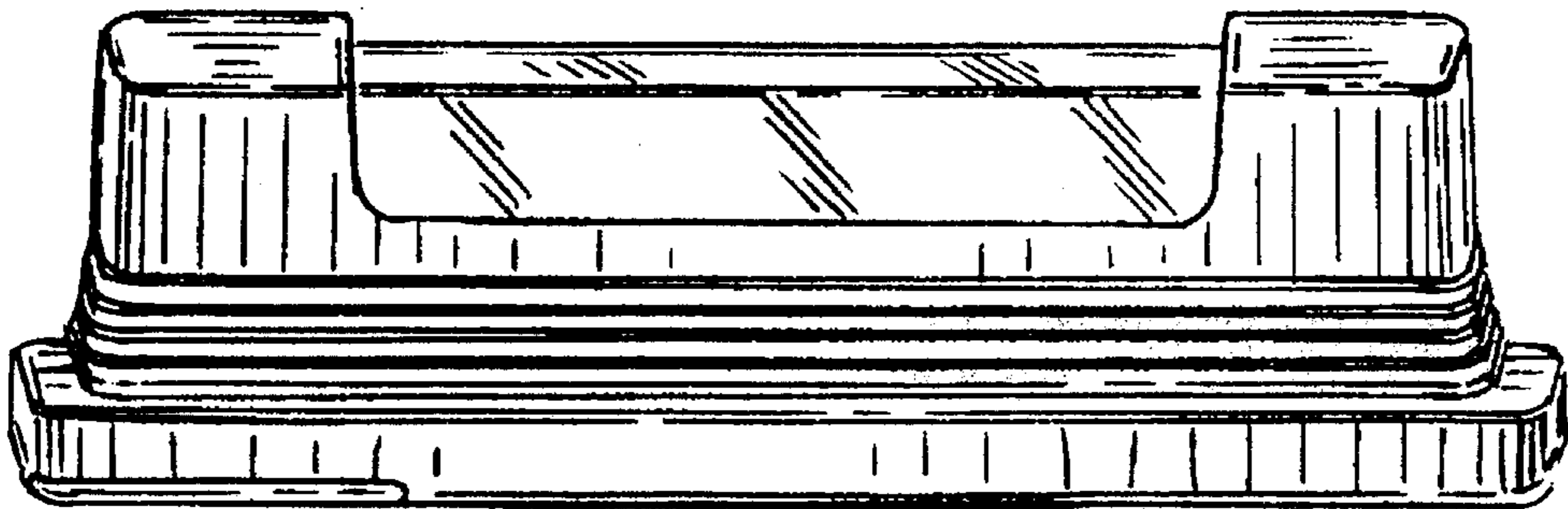


FIG. 2

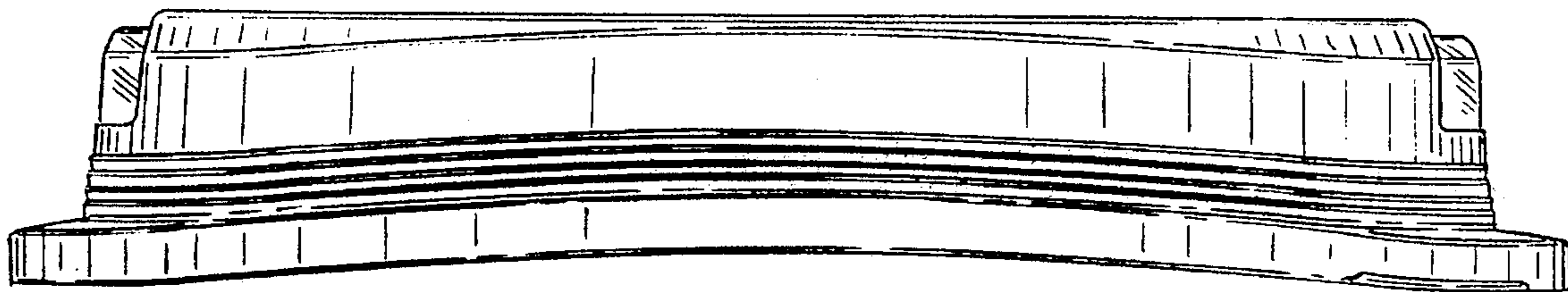


FIG. 4

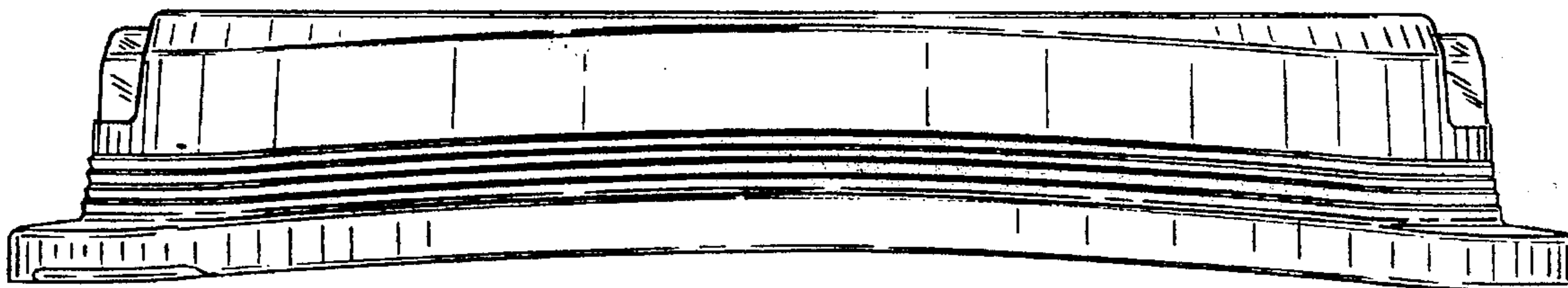


FIG. 5

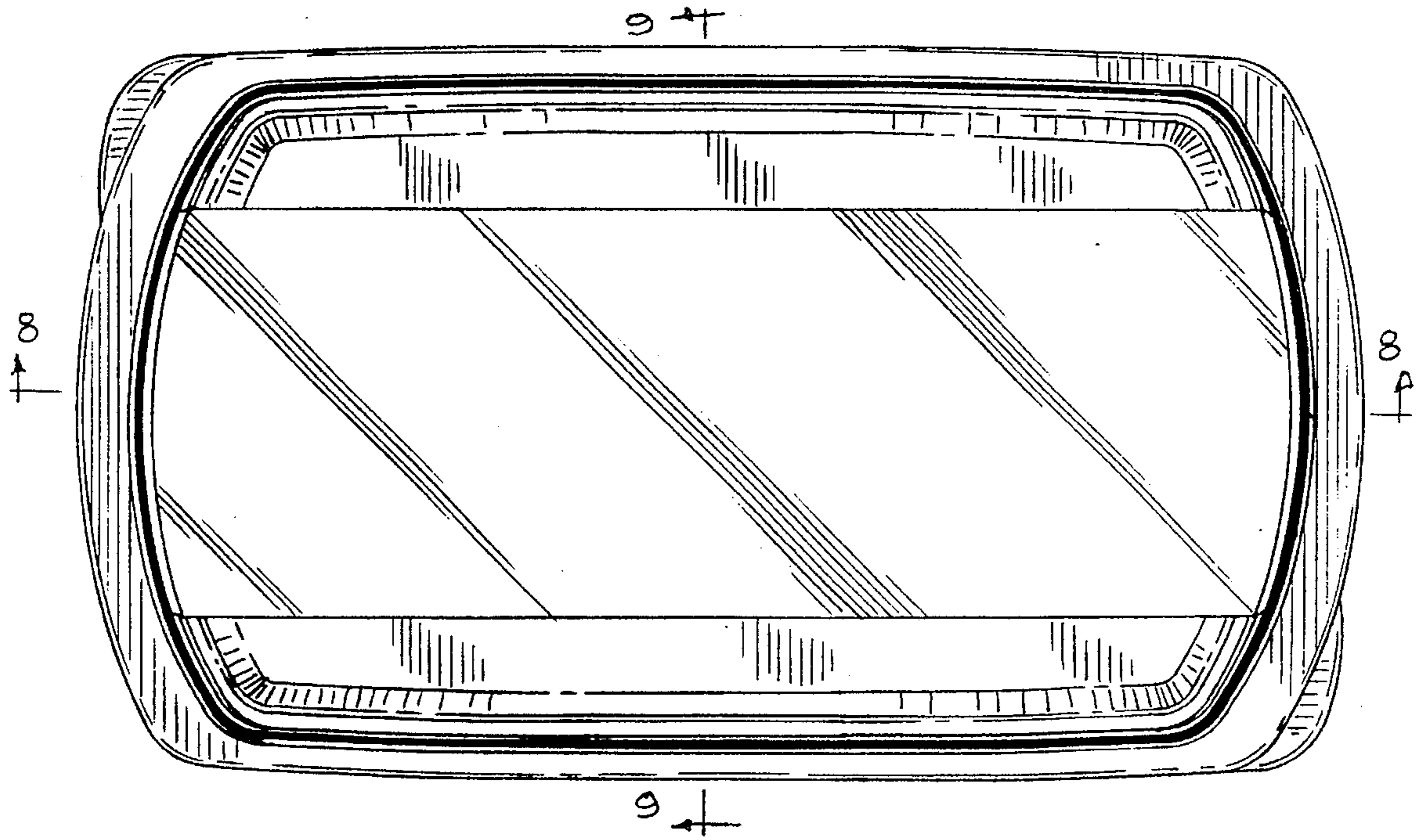


FIG. 6

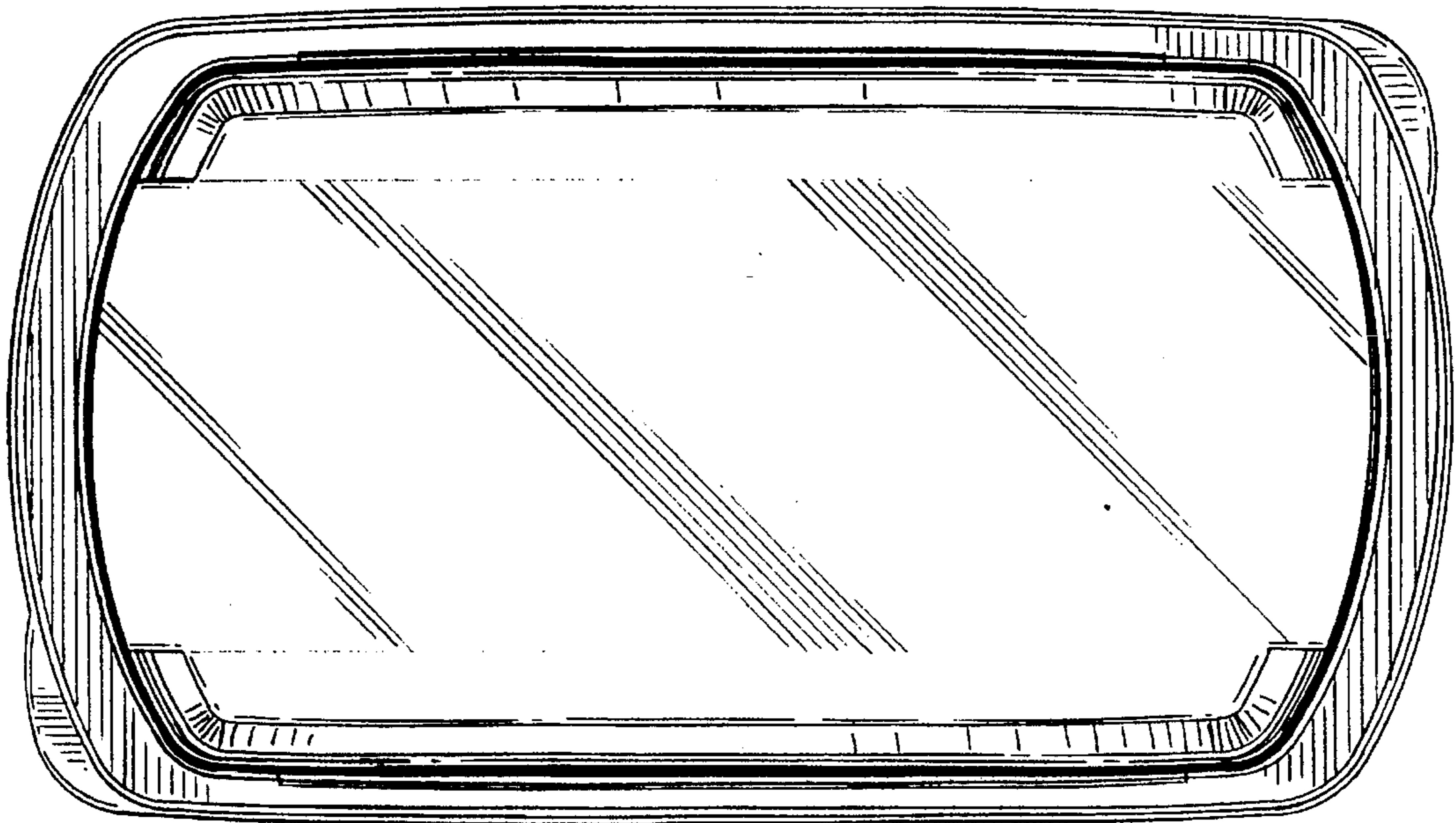


FIG. 7

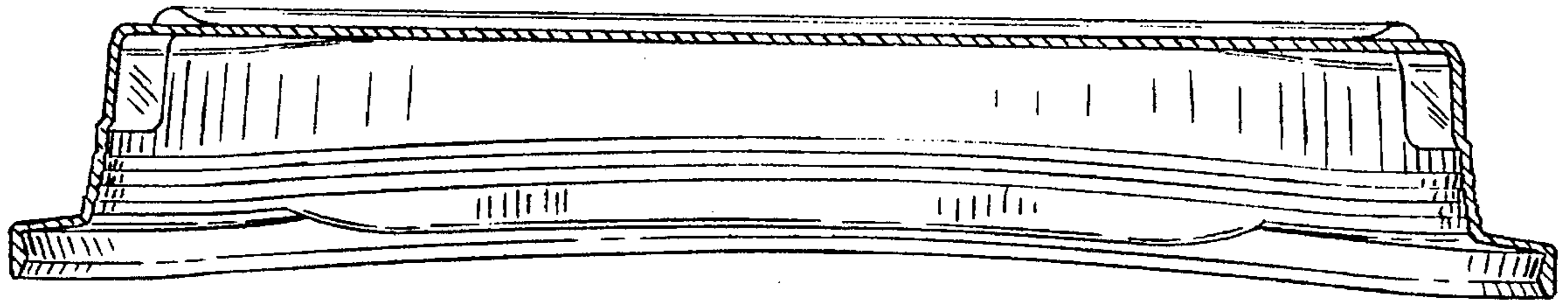


FIG. 8

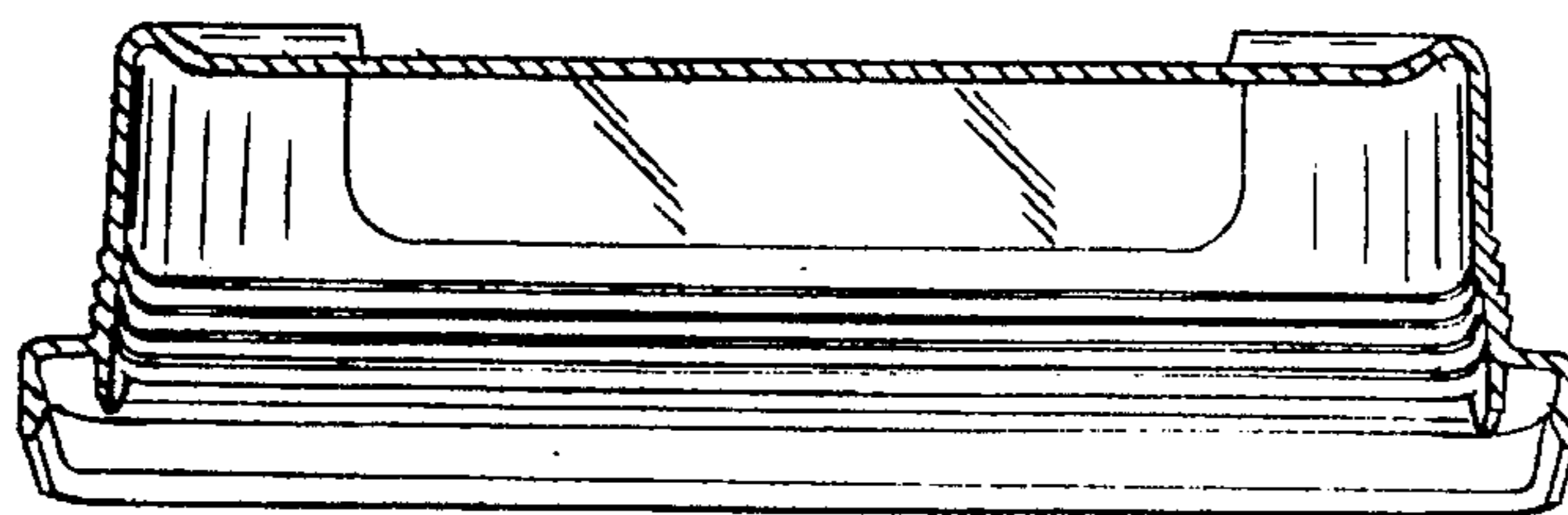


FIG. 9