



US00D375651S

United States Patent [19]

[11] Patent Number: **Des. 375,651**

Su

[45] Date of Patent: ****Nov. 19, 1996**

[54] **ELECTRIC OVEN**

D. 303,062 8/1989 Takada et al. D7/350
D. 334,864 4/1993 Chang D7/350

[76] Inventor: **Yung-Sen Su**, 170, Chung Lun, Chung Sha Tsun, An-Ting Hsiang, Tainan, Taiwan

Primary Examiner—Ruth McInroy
Attorney, Agent, or Firm—Alfred Lei

[**] Term: **14 Years**

[57] CLAIM

[21] Appl. No.: **43,382**

The ornamental design for an electric oven, is shown and described.

[22] Filed: **Aug. 28, 1995**

DESCRIPTION

[52] U.S. Cl. **D7/350**

[58] Field of Search D7/332-337, 348, D7/350, 338; 126/25 R, 25 A, 25 AA, 26, 275 R, 275 E, 19 M; 99/419, 421 R, 467, 482, 2, 356, 341, 200; D23/332, 336; D32/33

FIG. 1 is a perspective view of an electric oven showing my new design;

FIG. 2 is a front view thereof;

FIG. 3 is a rear view thereof;

FIG. 4 is a left side elevational view thereof;

FIG. 5 is a right side elevational view thereof;

FIG. 6 is a top plan view thereof; and,

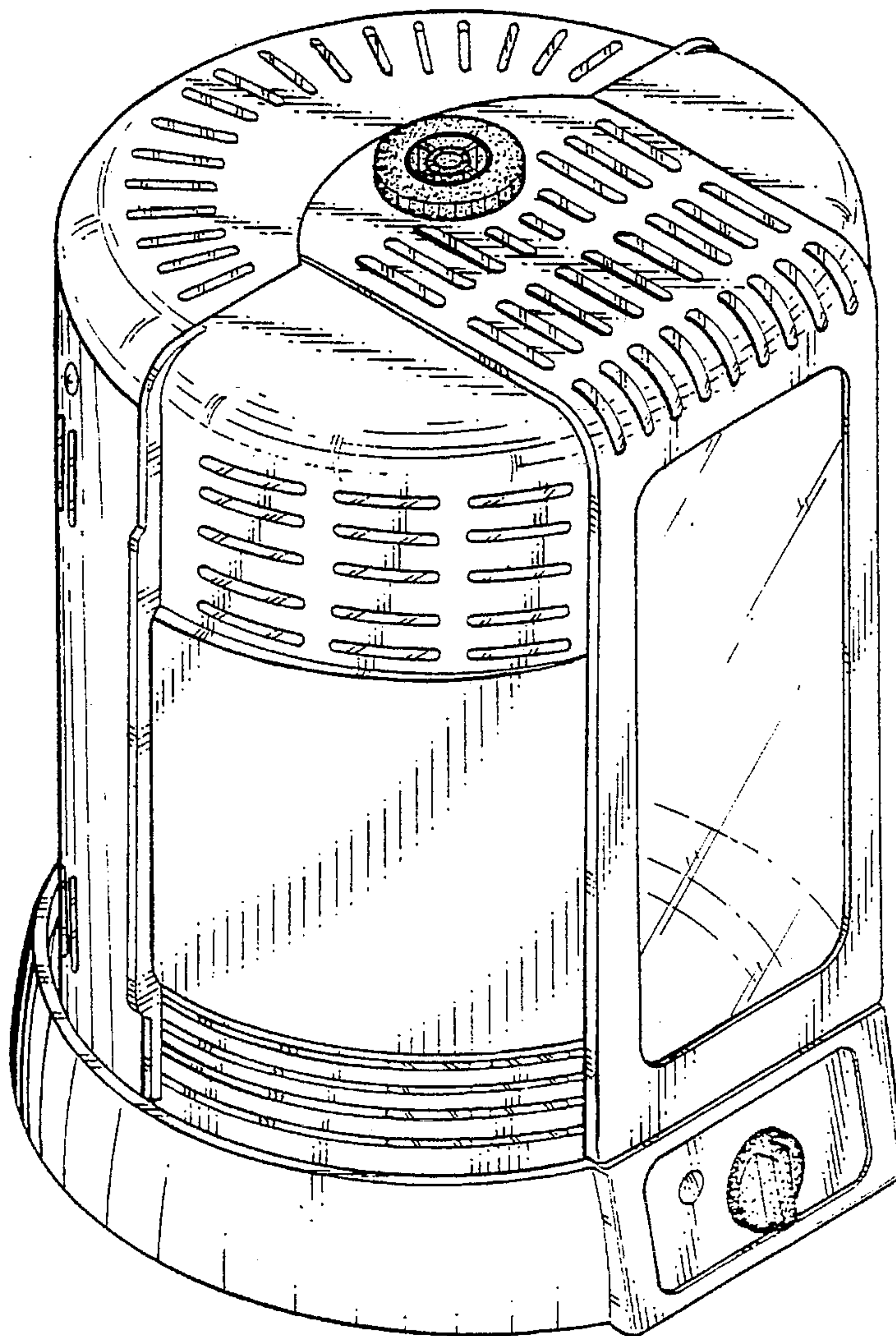
FIG. 7 is a bottom plan view thereof.

[56] References Cited

U.S. PATENT DOCUMENTS

D. 180,810 8/1957 Sario D7/350
D. 287,562 1/1987 Takada et al. D7/350
D. 292,863 11/1987 Johansson D7/338

1 Claim, 4 Drawing Sheets



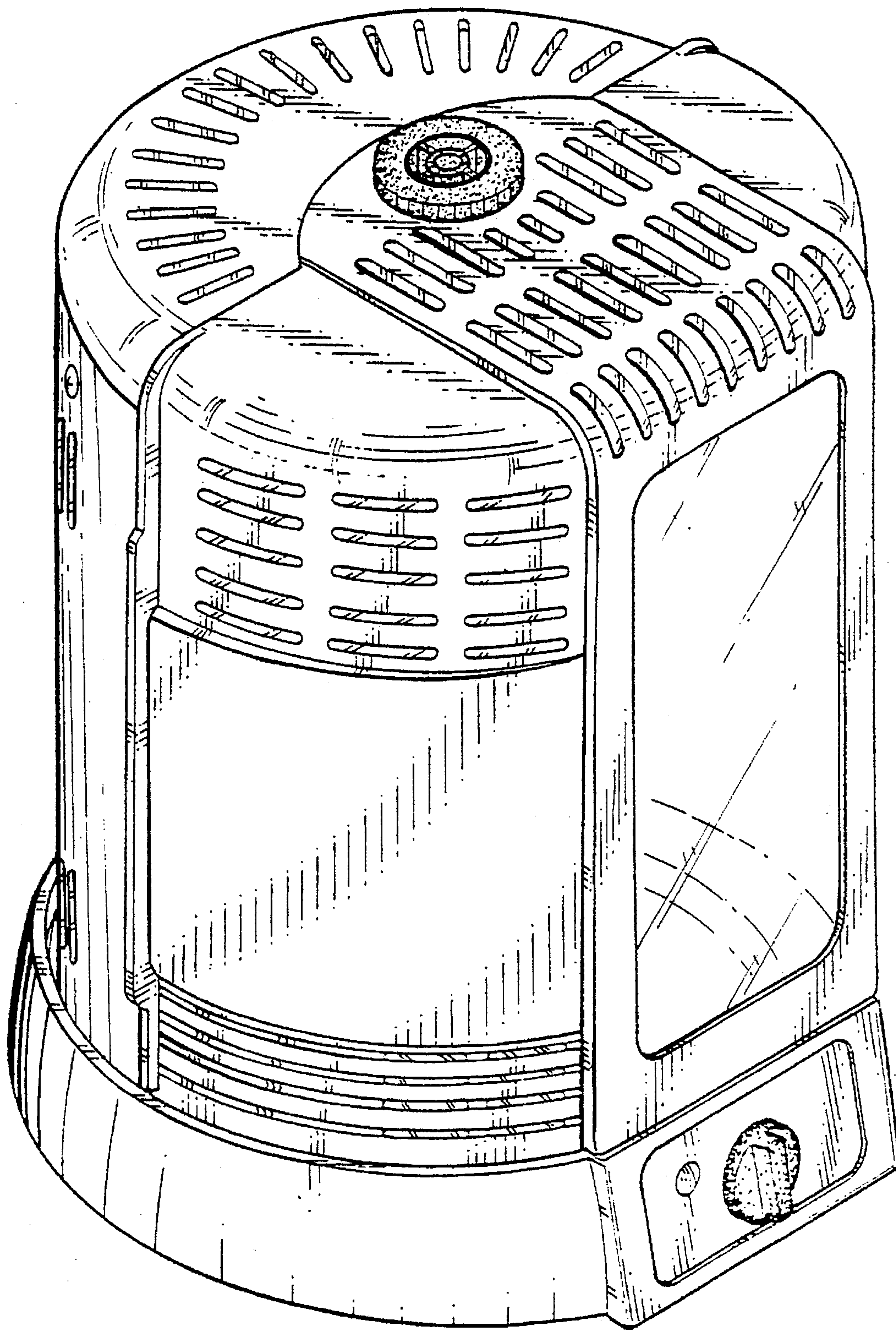


FIG. 1

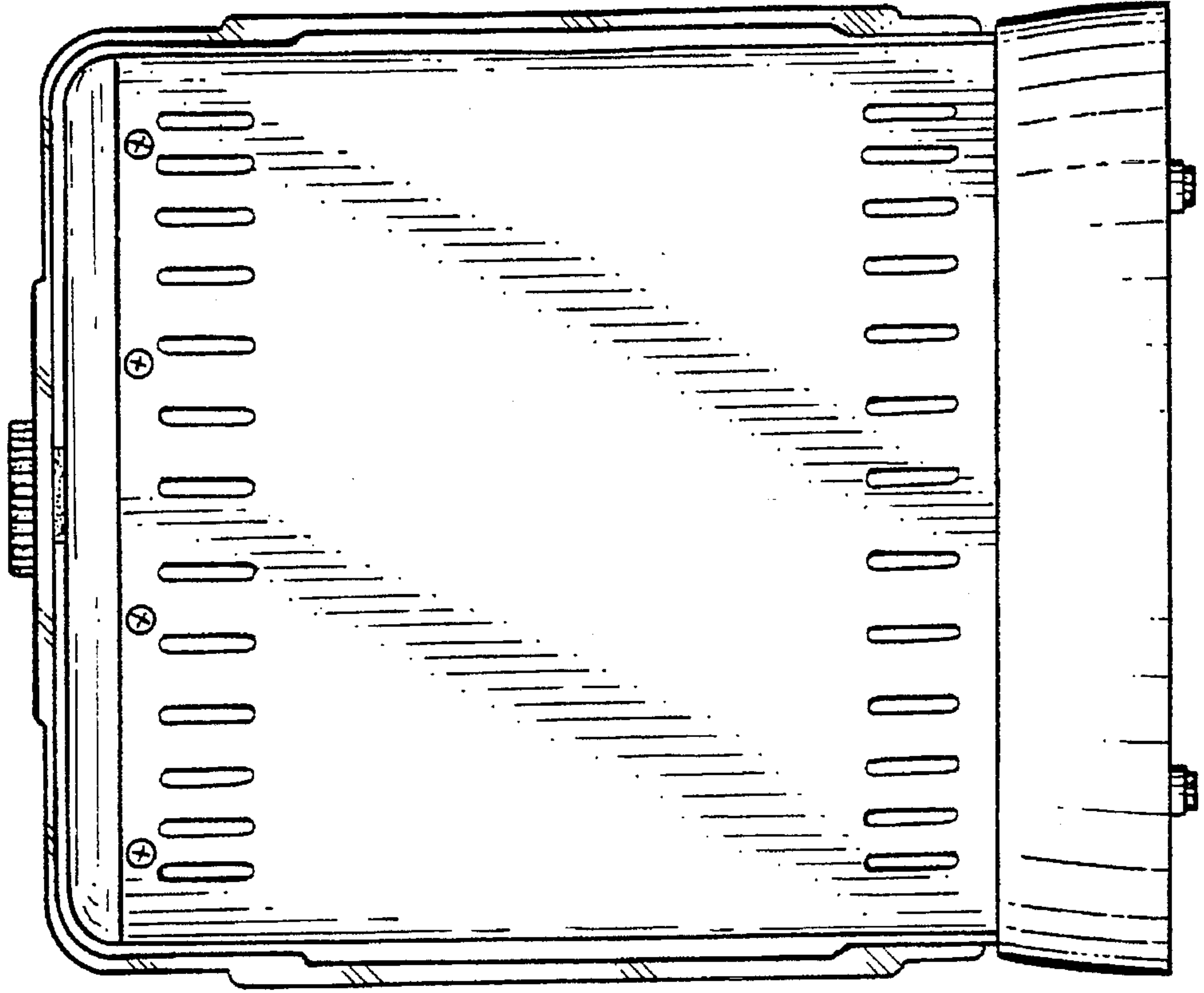


FIG. 2

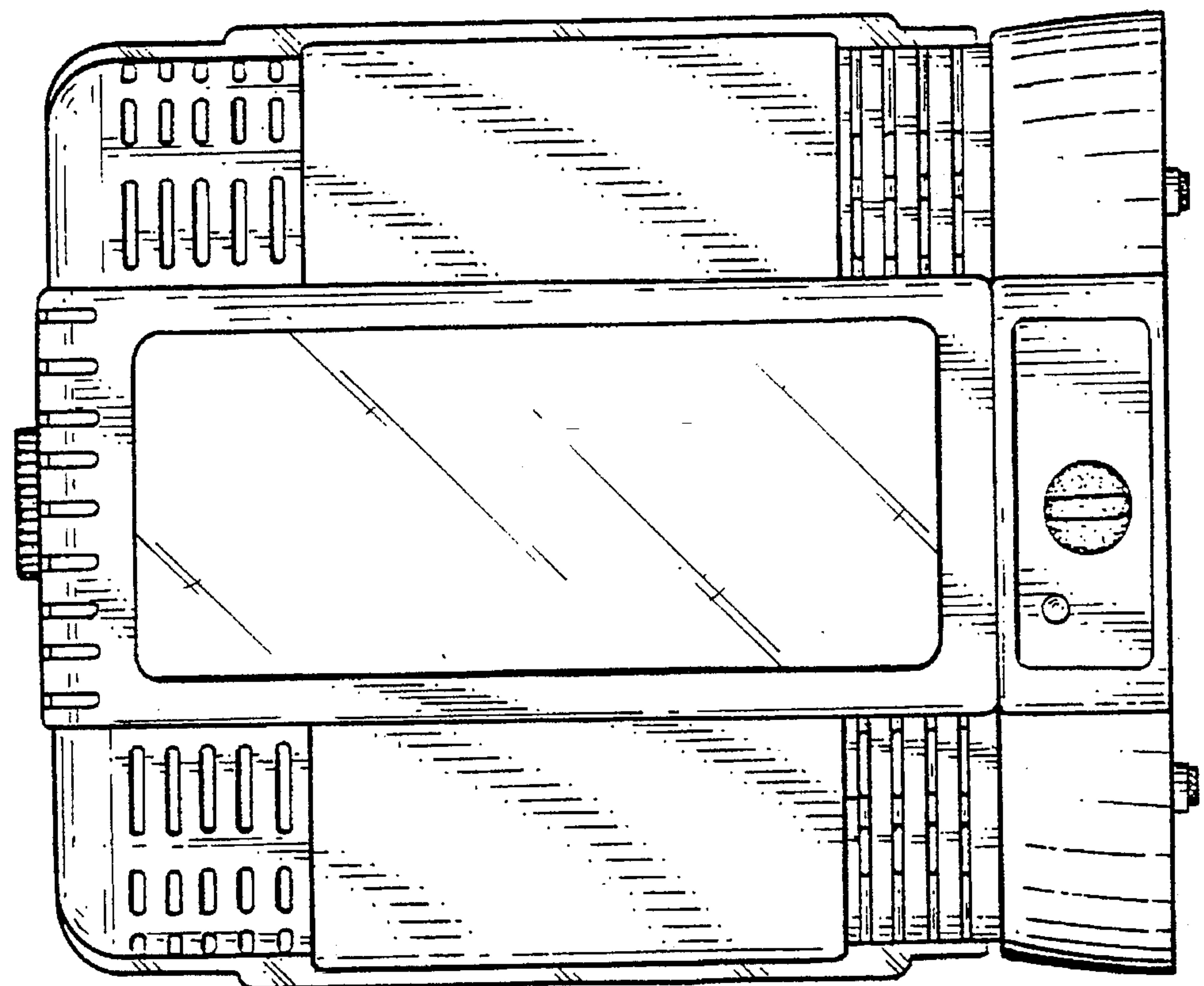


FIG. 3

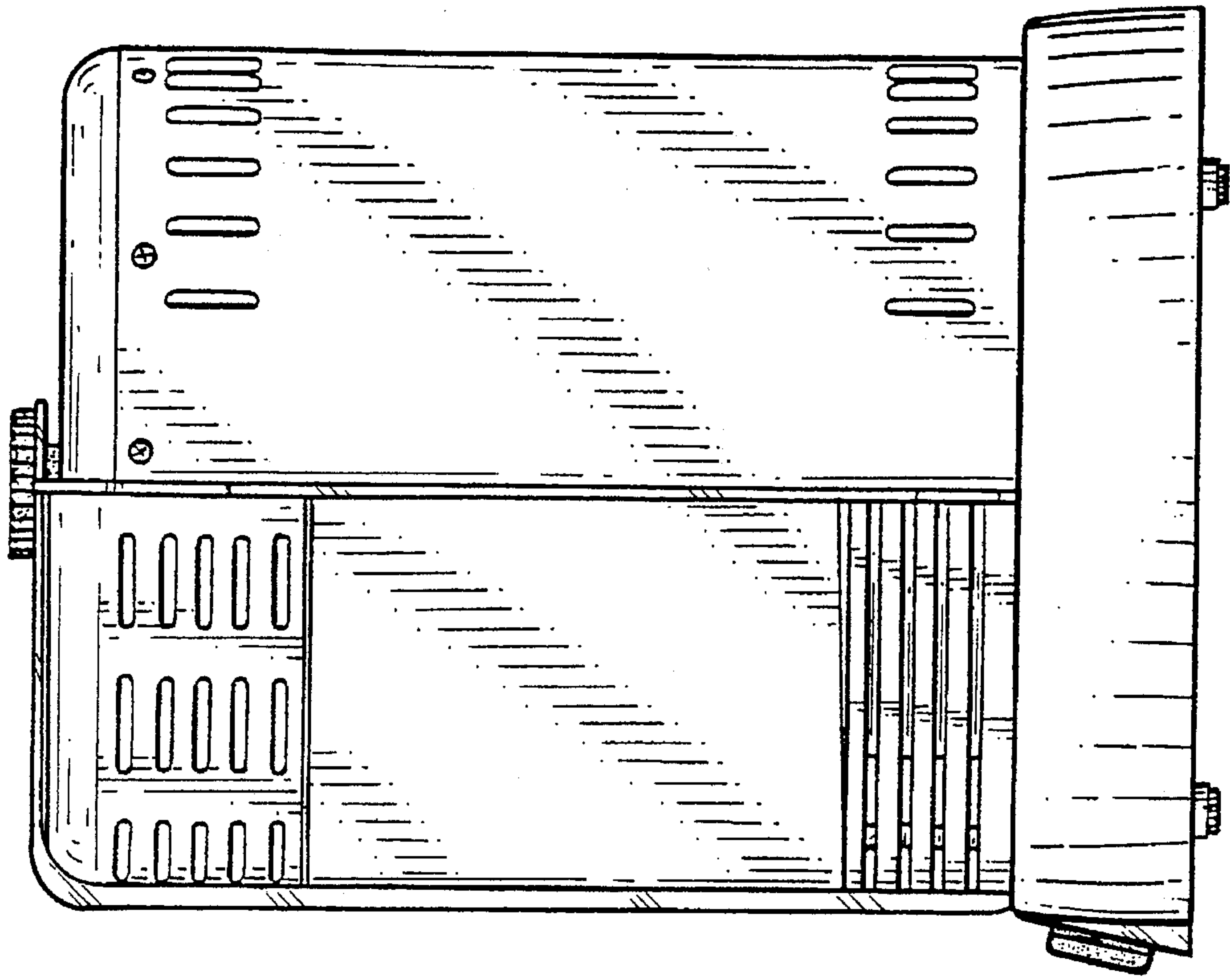


FIG. 5

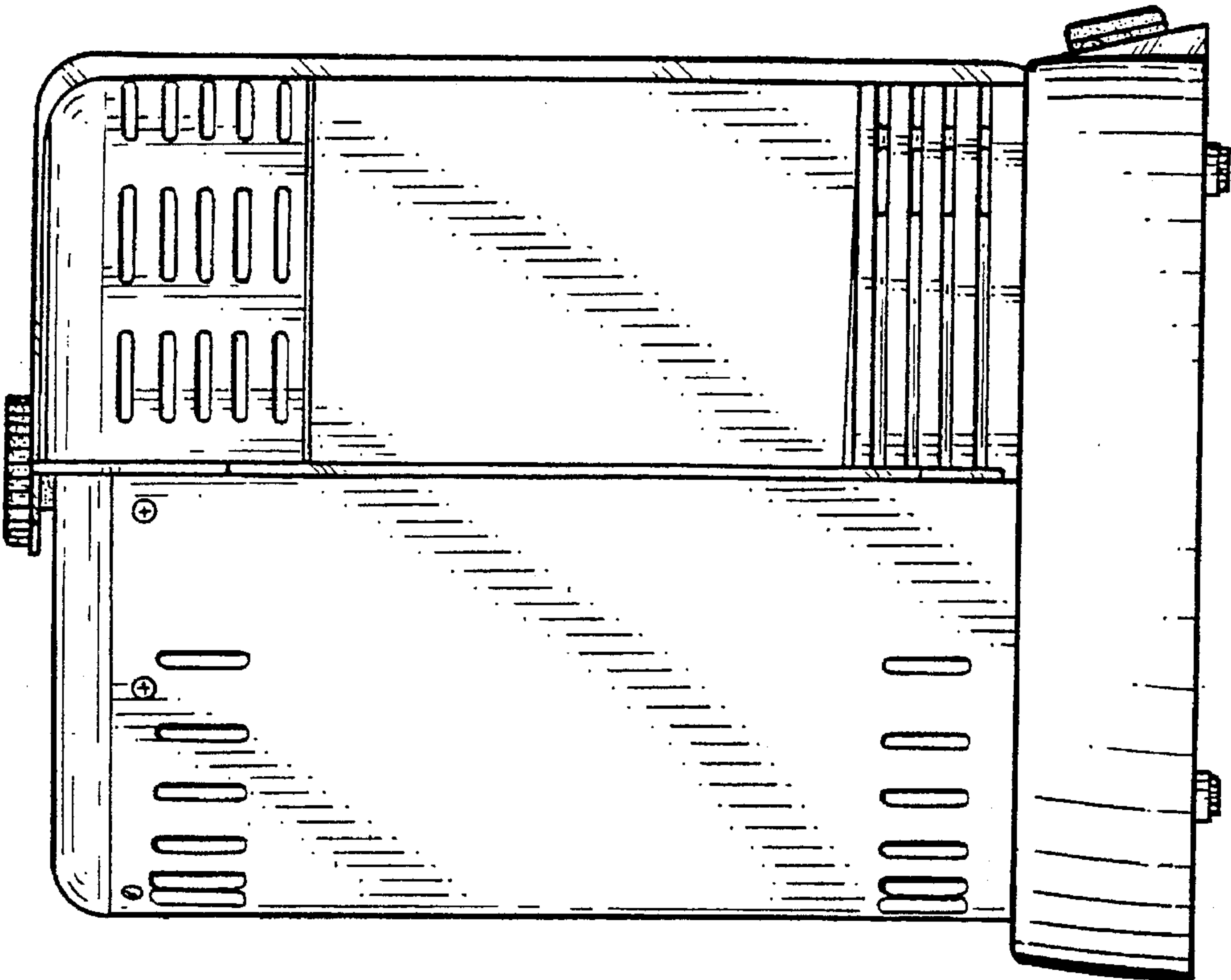


FIG. 4

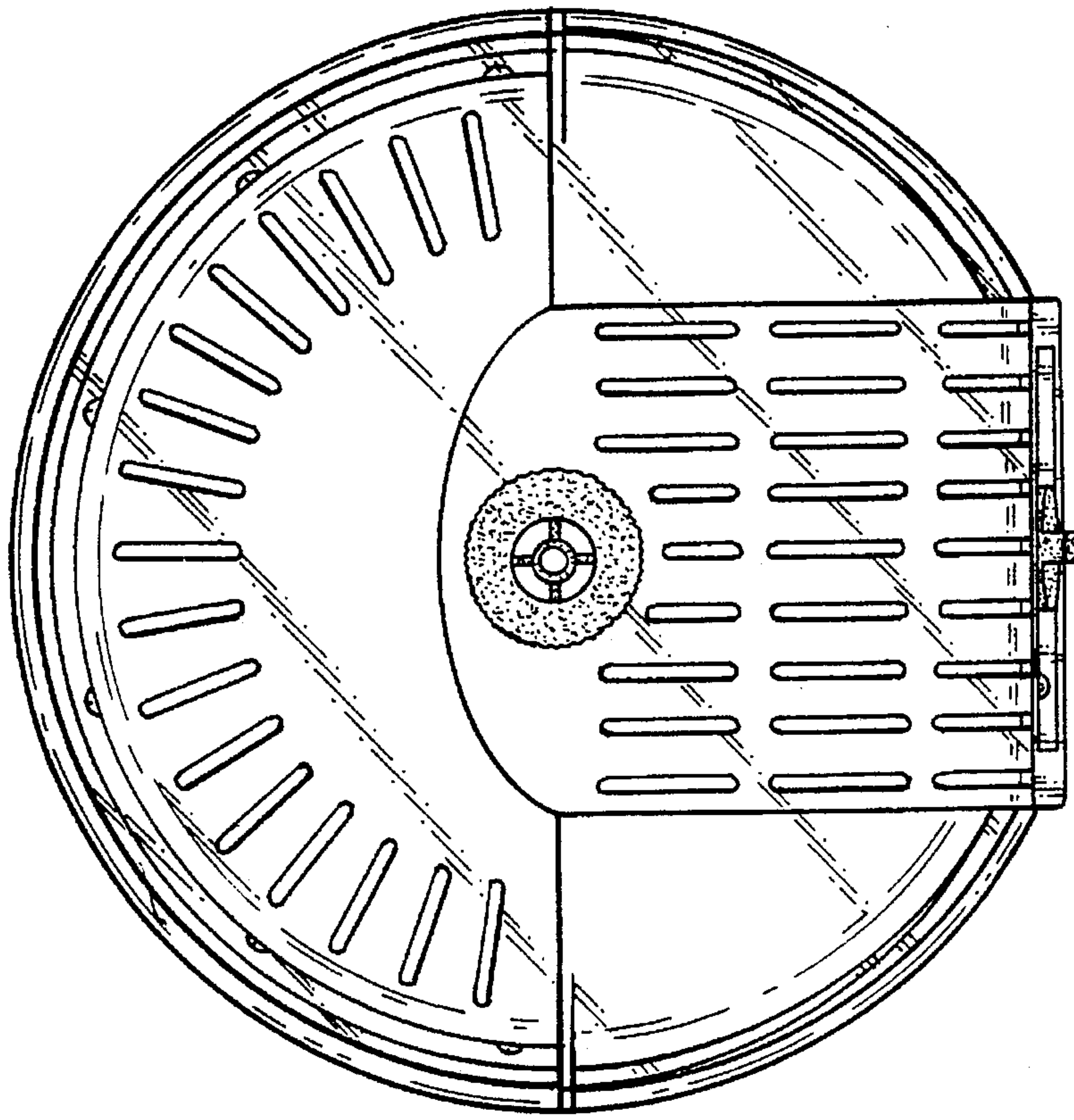


FIG. 6

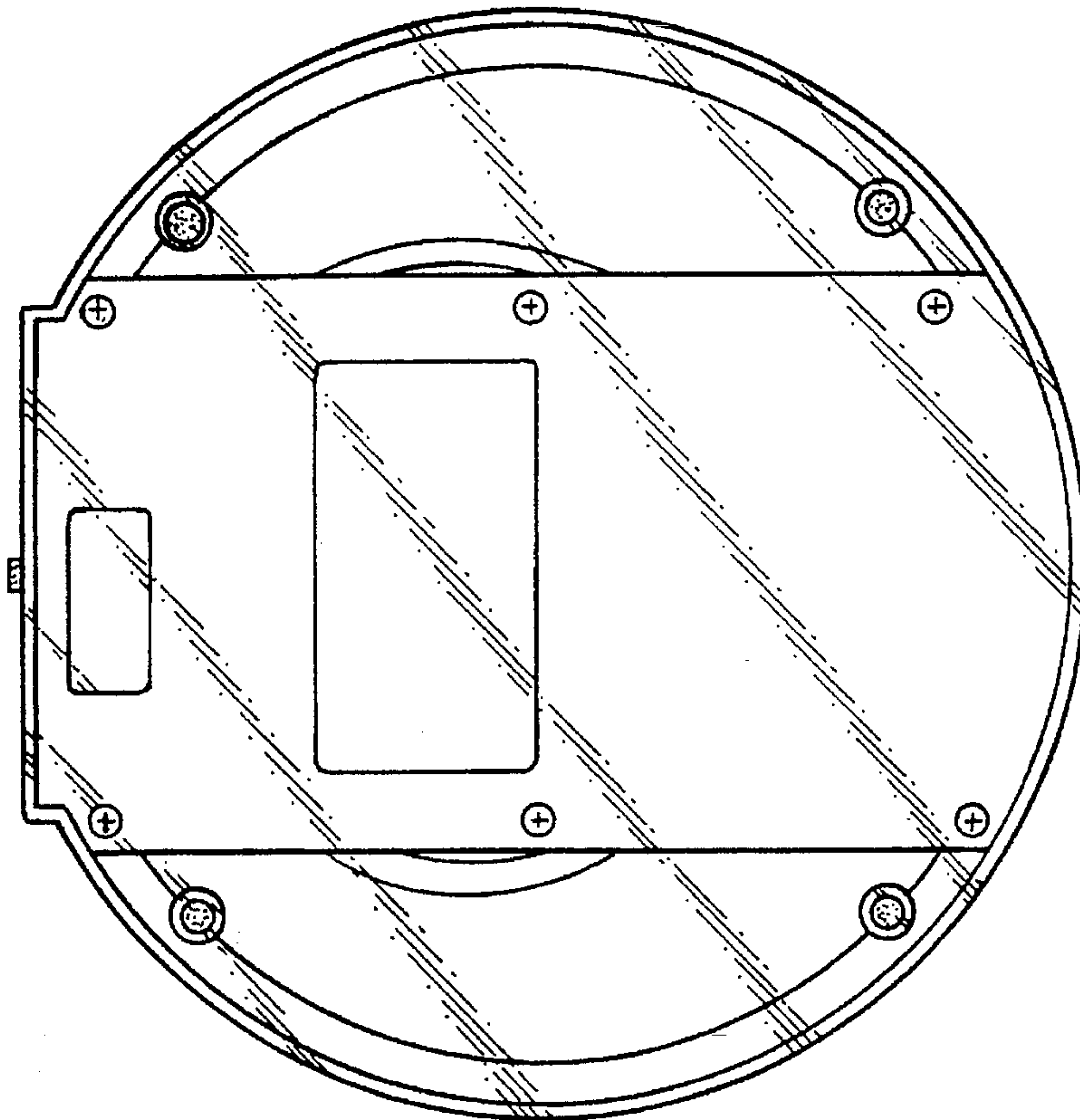


FIG. 7