



US00D375641S

United States Patent [19]

Dhanapal et al.

[11] Patent Number: **Des. 375,641**

[45] Date of Patent: ****Nov. 19, 1996**

[54] **PORTABLE TABLE**

[75] Inventors: **Shivaprasad Dhanapal**, Statesville, N.C.; **Robert W. Jones**, Hinsdale, Mass.; **Charles F. T. Merritt**, Southport, Conn.

[73] Assignee: **Rubbermaid Health Care Products Inc.**, Statesville, N.C.

[**] Term: **14 Years**

[21] Appl. No.: **46,407**

[22] Filed: **Nov. 14, 1995**

[52] U.S. Cl. **D6/486; D6/406; D6/429**

[58] Field of Search **D6/480-489, 429, D6/430, 495, 338, 406; 108/150, 153, 155-157, 161, 144, 146, 149**

[56] **References Cited**

U.S. PATENT DOCUMENTS

D. 162,119	2/1951	Berner	D6/406
D. 169,460	4/1953	Smith	D6/406
D. 289,247	4/1987	Wang	D6/406
D. 295,348	4/1988	Muller	D6/406
D. 353,287	12/1994	Hemberger	D6/495
2,733,110	1/1956	Berner et al.	108/25
3,188,986	6/1965	Vigne	108/136
3,194,187	7/1965	Linder et al.	108/146
3,286,663	11/1966	Mann et al.	108/144
3,314,384	4/1967	Mann et al.	108/146
3,380,405	4/1968	Barecki et al.	108/136
3,481,286	12/1969	Mar et al.	108/144
3,504,643	4/1970	Burst et al.	108/144
3,682,112	8/1972	Emrick	108/116
3,715,997	2/1973	Barth	108/146
3,854,428	12/1974	Fullenkamp	108/146
3,890,907	6/1975	Peterson	108/136
3,905,311	9/1975	Carpentier	108/136
3,910,659	10/1975	Peterson	312/226

3,976,016	8/1976	Longbottom	108/144
3,999,492	12/1976	Emrick	108/144
4,195,578	4/1980	Benoit et al.	108/144
4,286,525	9/1981	Willmore	108/93
4,401,036	8/1983	Russo et al.	108/146
4,434,722	3/1984	Solomon et al.	108/8
4,492,170	1/1985	Solomon	108/148
4,601,246	7/1986	Damico	108/144
4,607,577	8/1986	Leonardo	108/144
4,805,542	2/1989	Peterson et al.	108/150
4,922,836	5/1990	Damico	108/144
5,016,846	5/1991	Solomon	248/161
5,022,327	6/1991	Solomon	108/147
5,106,043	4/1992	Solomon	248/161
5,144,898	9/1992	Posly	108/148

OTHER PUBLICATIONS

P. 49, Portable tables; Lumex, A Division of Lumex, Inc., 100 Spence Street, Bay Shore, New York, 11706-2290. Publication date 1993.

Primary Examiner—Janice E. Seeger
Attorney, Agent, or Firm—Richard B. O’Planick; Lisa B. Riedesel

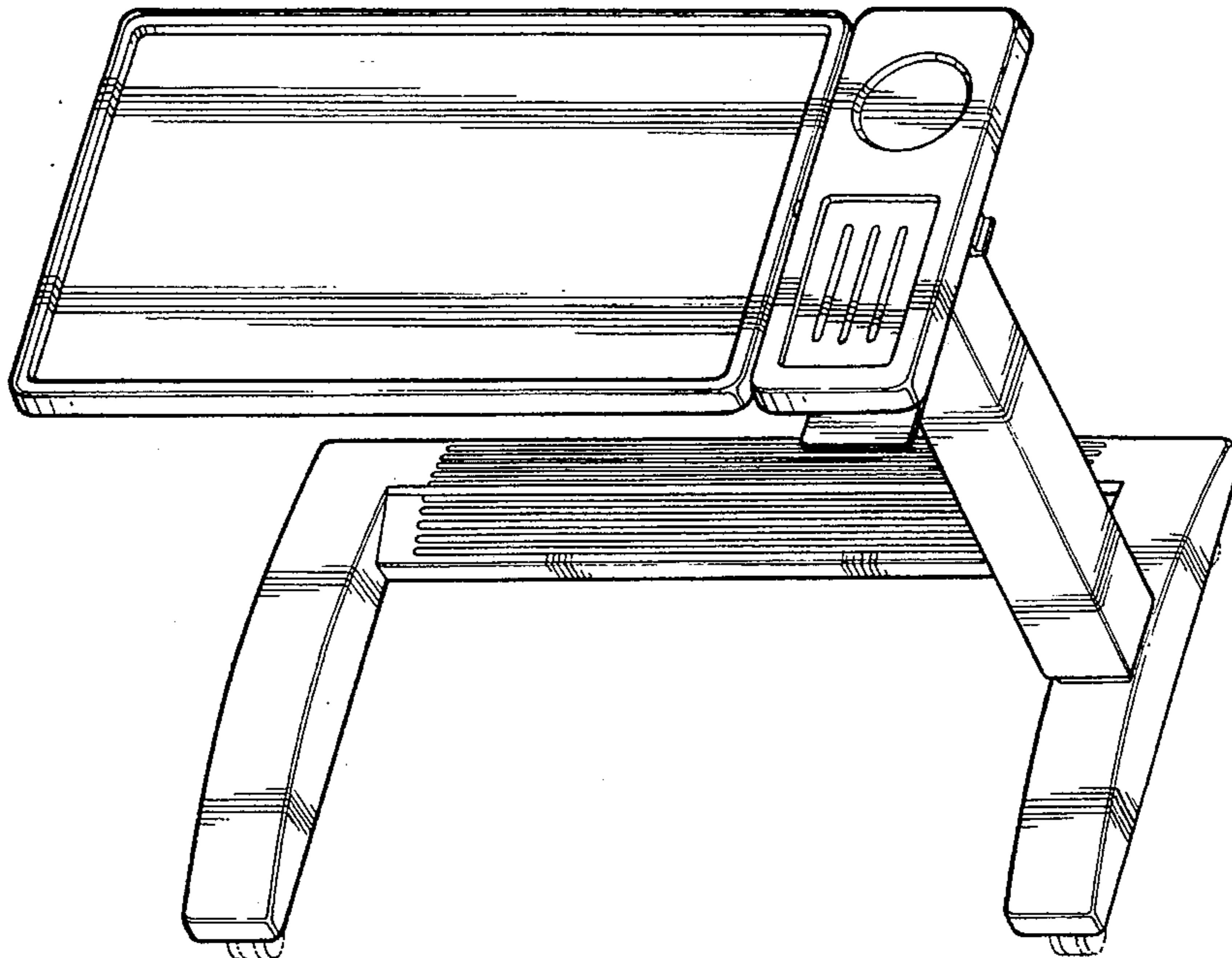
[57] **CLAIM**

The ornamental design for a portable table, as shown and described.

DESCRIPTION

FIG. 1 is a top right front perspective view of a portable table showing our new design;
FIG. 2 is a front elevational view thereof;
FIG. 3 is a top plan view thereof;
FIG. 4 is a right side elevational view thereof;
FIG. 5 is a left side elevational view thereof; and,
FIG. 6 is a rear elevational view thereof.
The broken lines are for illustrative purposes only and form no part of the claimed design.

1 Claim, 4 Drawing Sheets



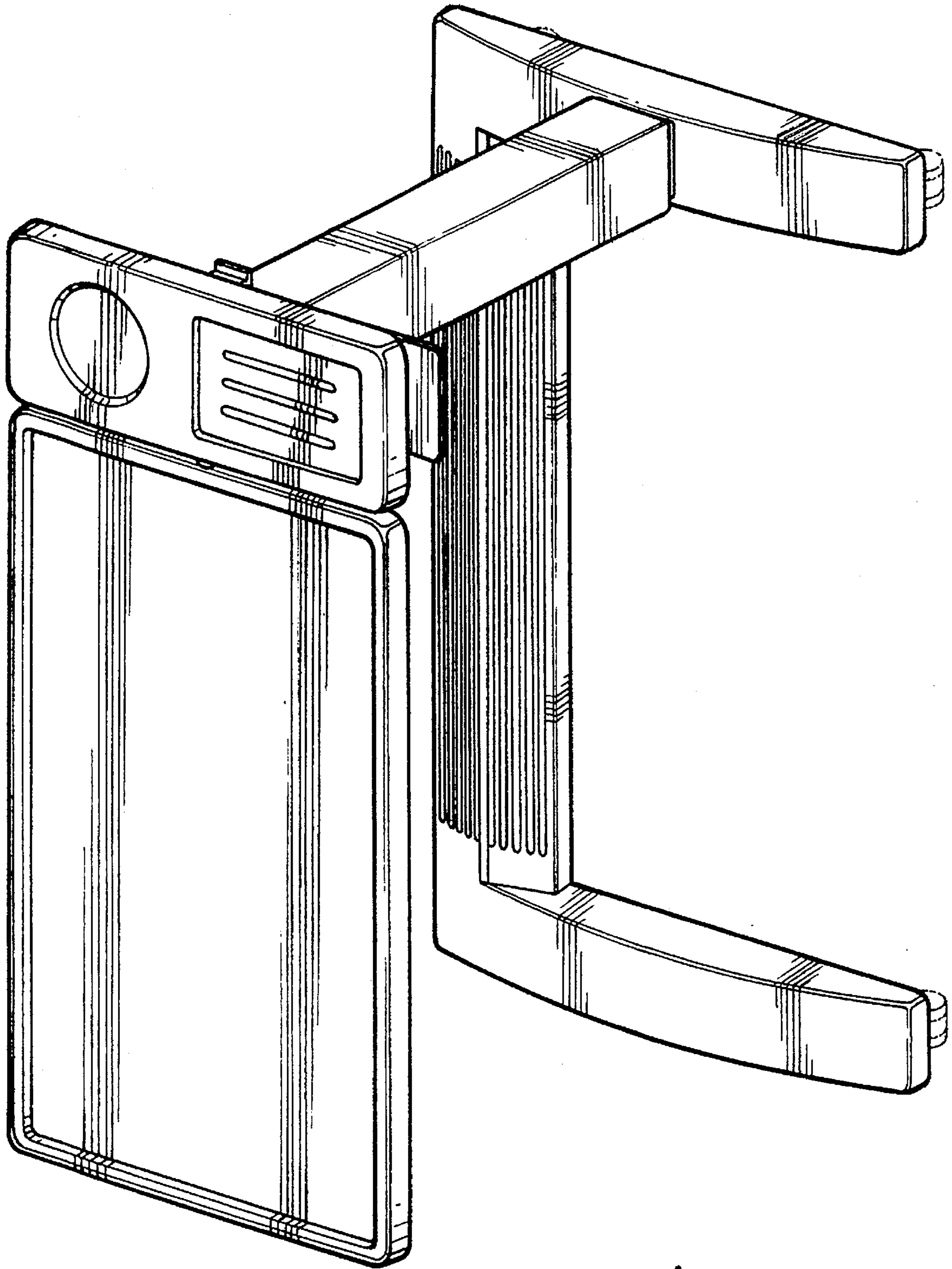


Fig - 1

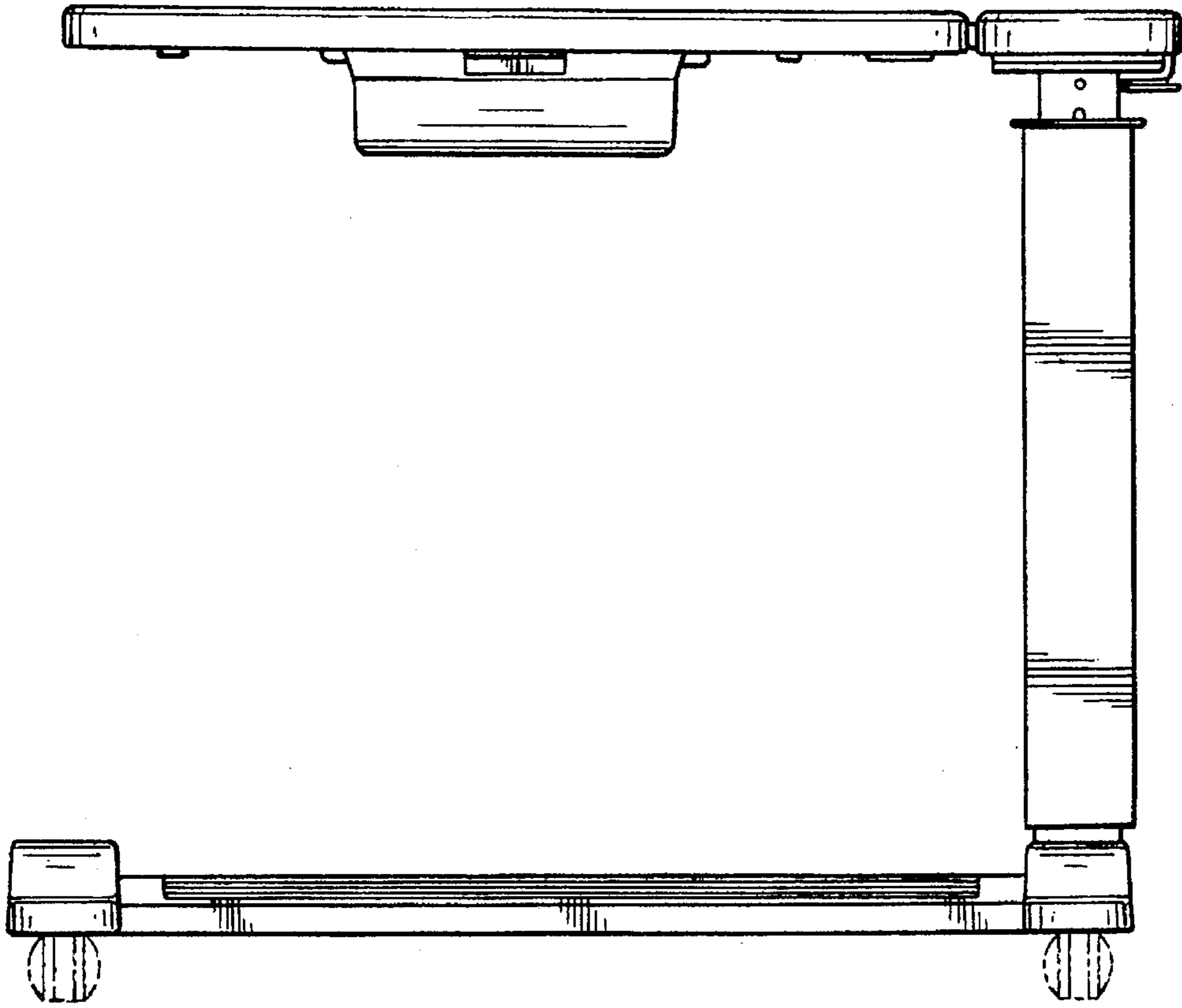


Fig - 2

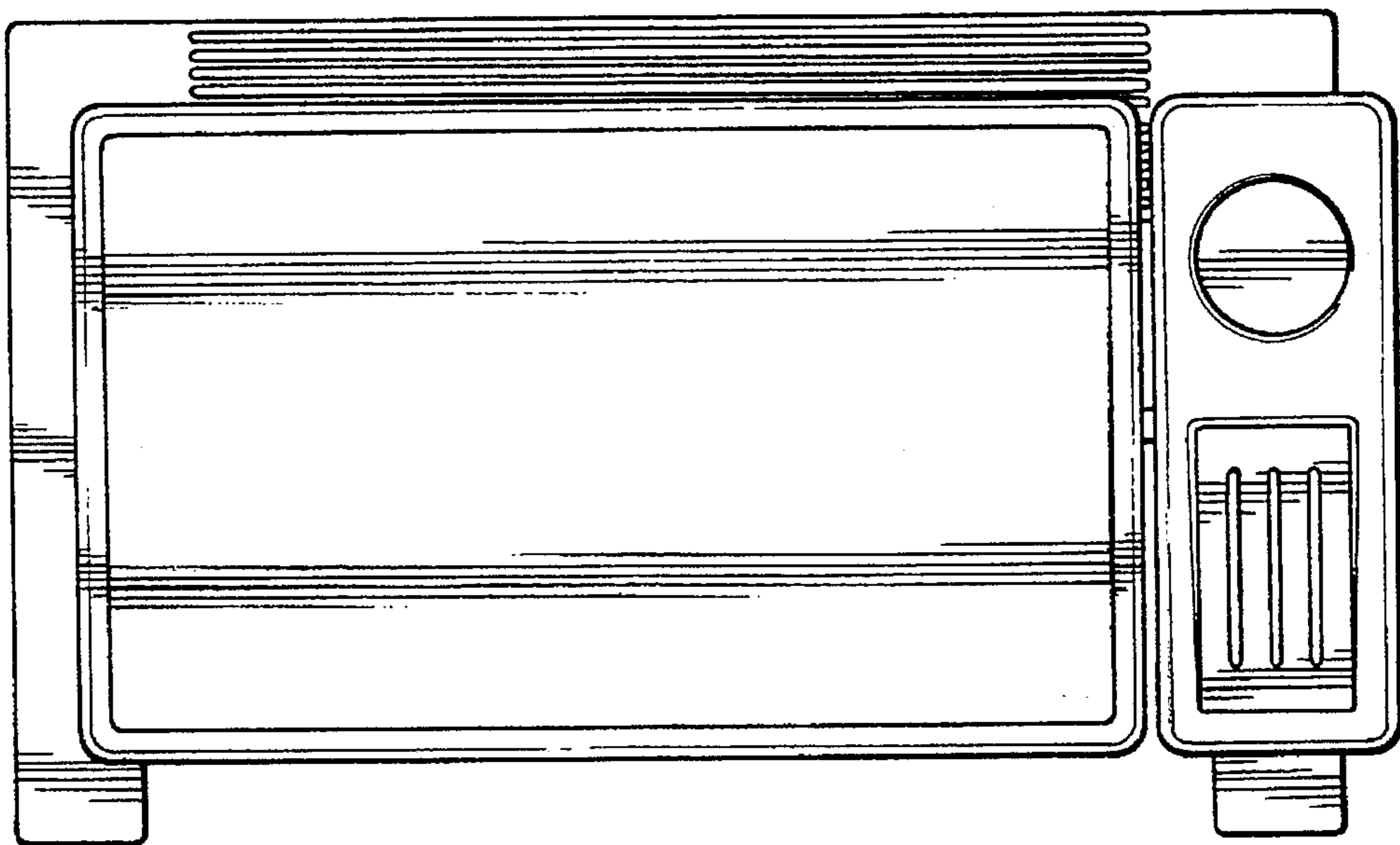


Fig - 3

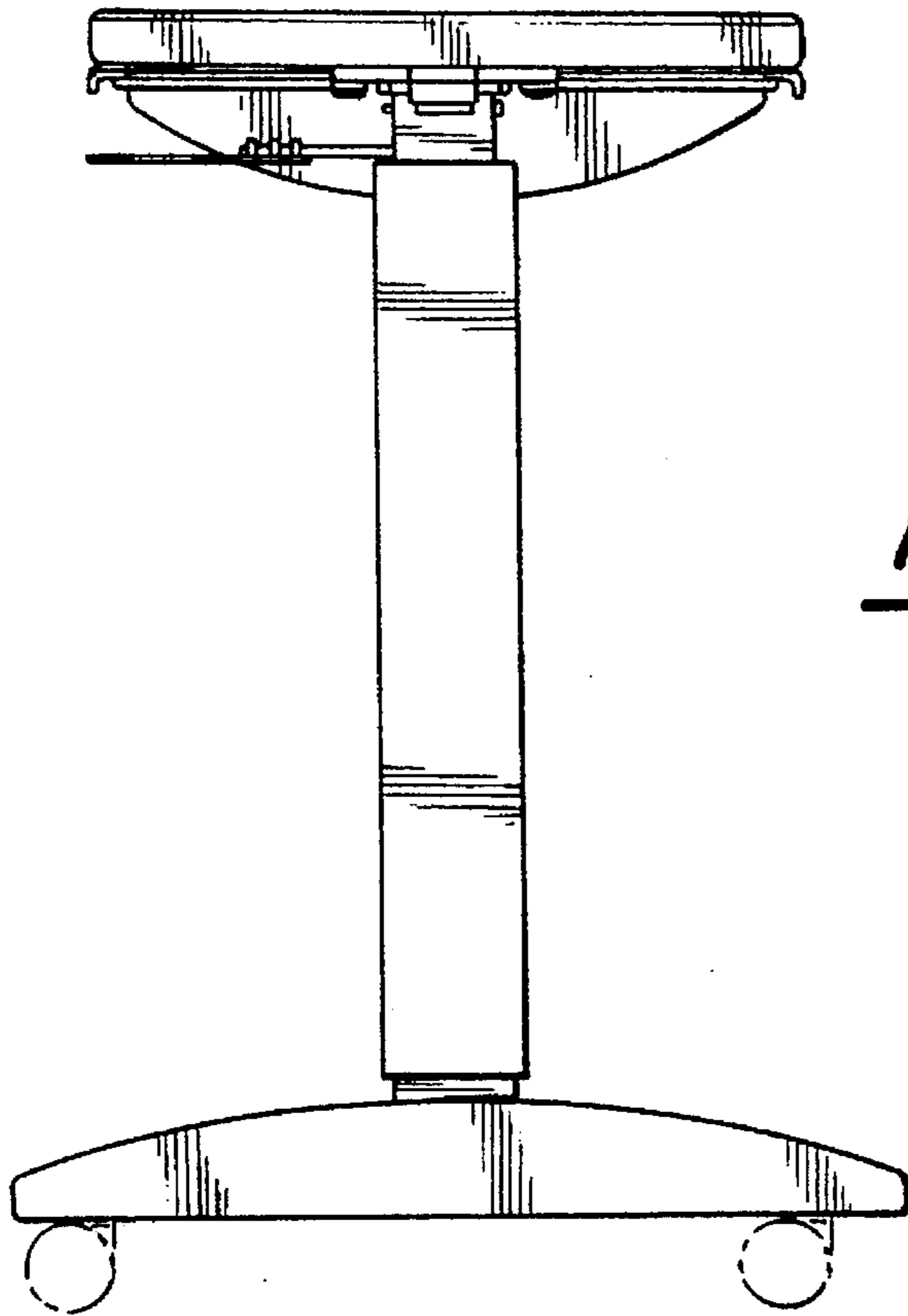


Fig - 4

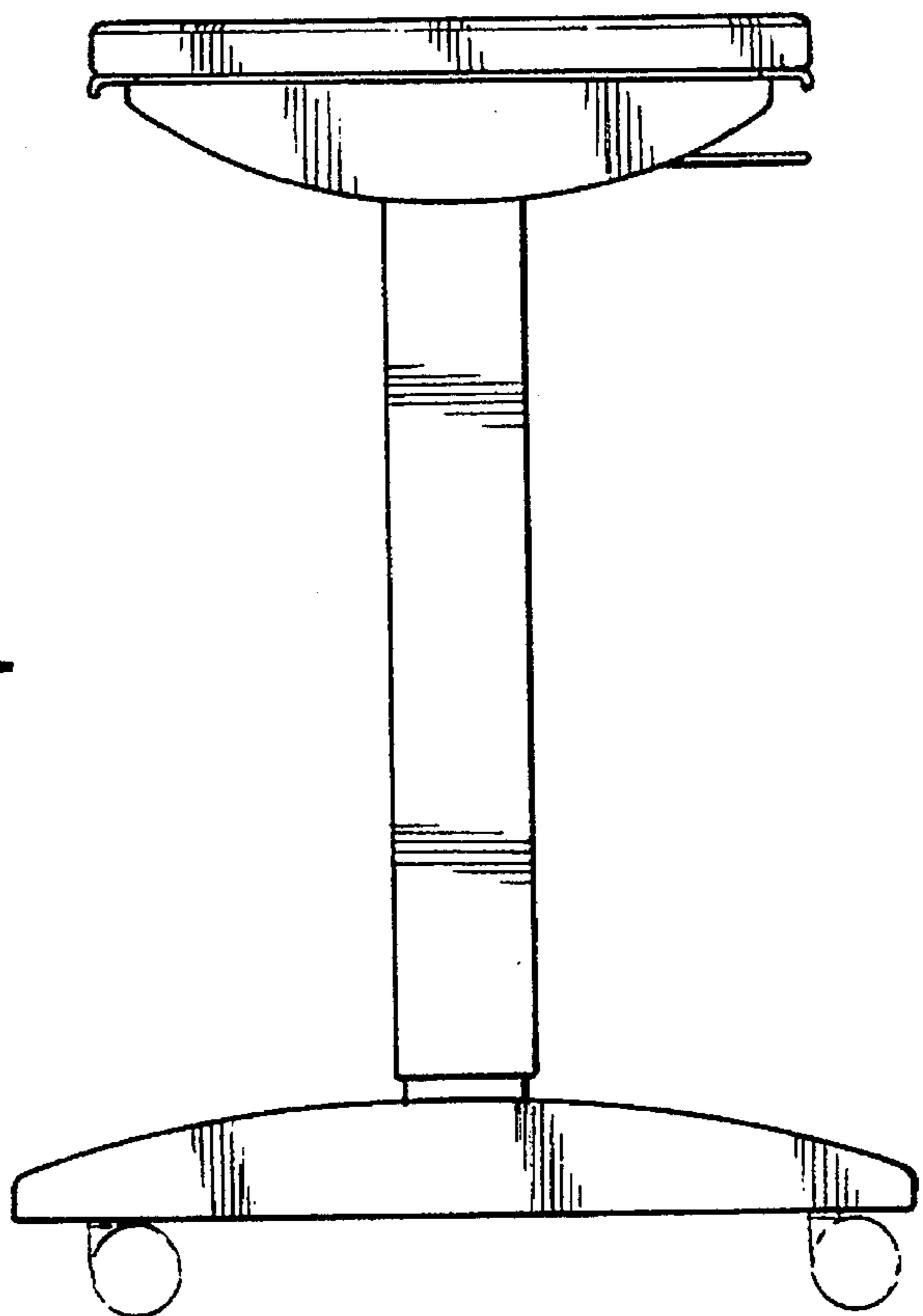


Fig - 5

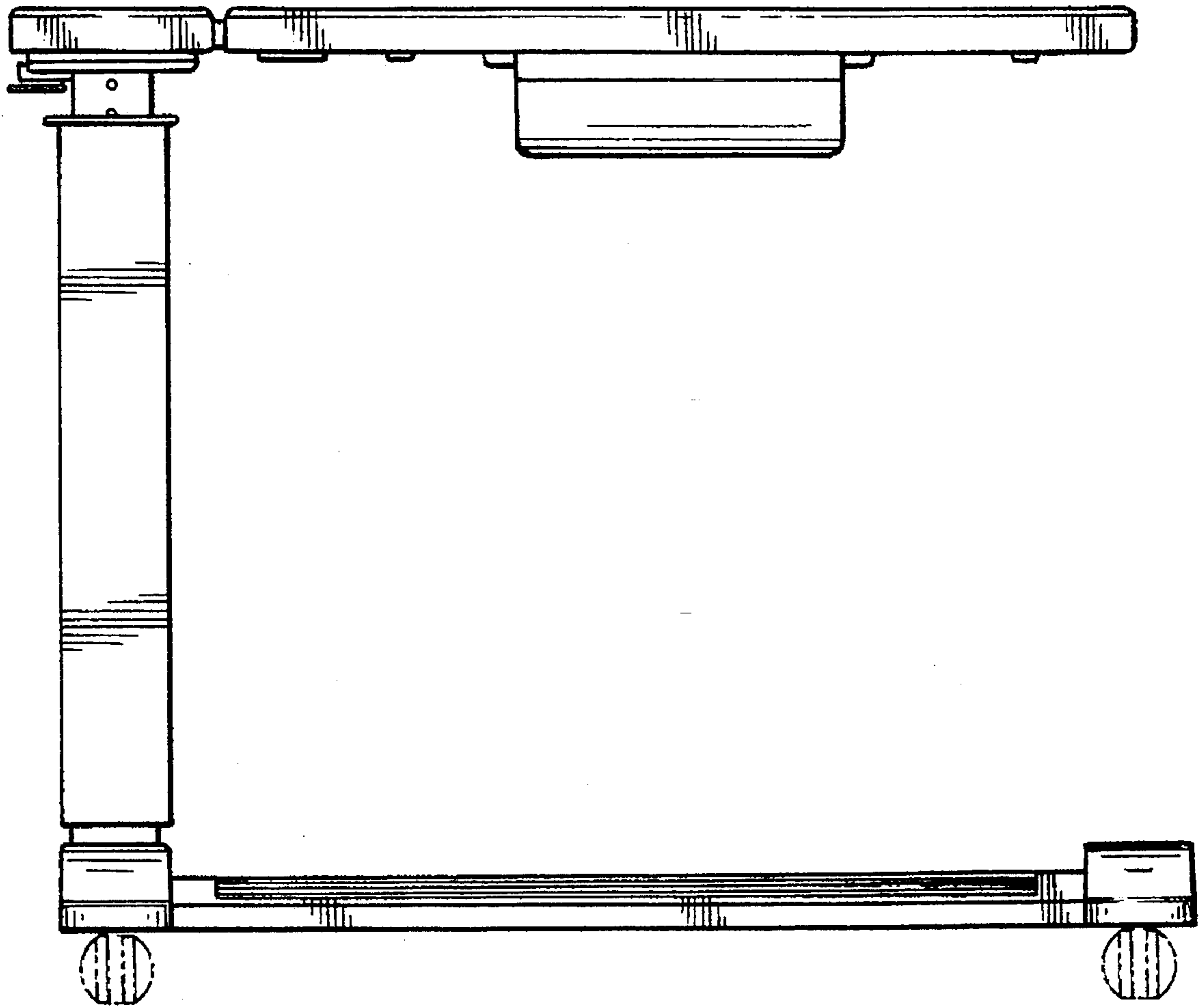


Fig - 6