



US00D375639S

United States Patent [19]

House et al.

[11] Patent Number: **Des. 375,639**

[45] Date of Patent: ****Nov. 19, 1996**

[54] **STAND**

[75] Inventors: **Kenneth W. House; Darrell A. Schoenig; Donald H. Eason**, all of Fort Collins, Colo.

[73] Assignee: **Ultimate Support Systems, Inc.**, Fort Collins, Colo.

[**] Term: **14 Years**

[21] Appl. No.: **28,144**

[22] Filed: **Sep. 8, 1994**

[52] U.S. Cl. **D6/449**

[58] Field of Search D6/396, 399, 429, D6/449, 450, 451; D17/97, 1; 248/129, 164, 165

[56] **References Cited**

U.S. PATENT DOCUMENTS

D. 301,418	6/1989	Wernick	D17/9	X
D. 320,034	9/1991	Brooks et al.	D17/9	
D. 323,081	1/1992	Schaffer	D17/9	X
D. 336,099	6/1993	Schoenig	D19/7	
2,550,793	5/1951	Ferriera	248/165	X
4,763,865	8/1988	Danner	D6/429	X

OTHER PUBLICATIONS

Ultimate Support Systems, Inc., pending patent file No. 29/017,592; Ornamental Stand.

Primary Examiner—James M. Gandy

Assistant Examiner—Linda Brooks

[57] **CLAIM**

The ornamental design for a stand, as shown and described.

DESCRIPTION

FIG. 1 is a photo of the front perspective view of the ornamental stand showing our new design;

FIG. 2 is a photo of the rear perspective view of the ornamental stand;

FIG. 3 is a photo of the front elevational view of the ornamental stand;

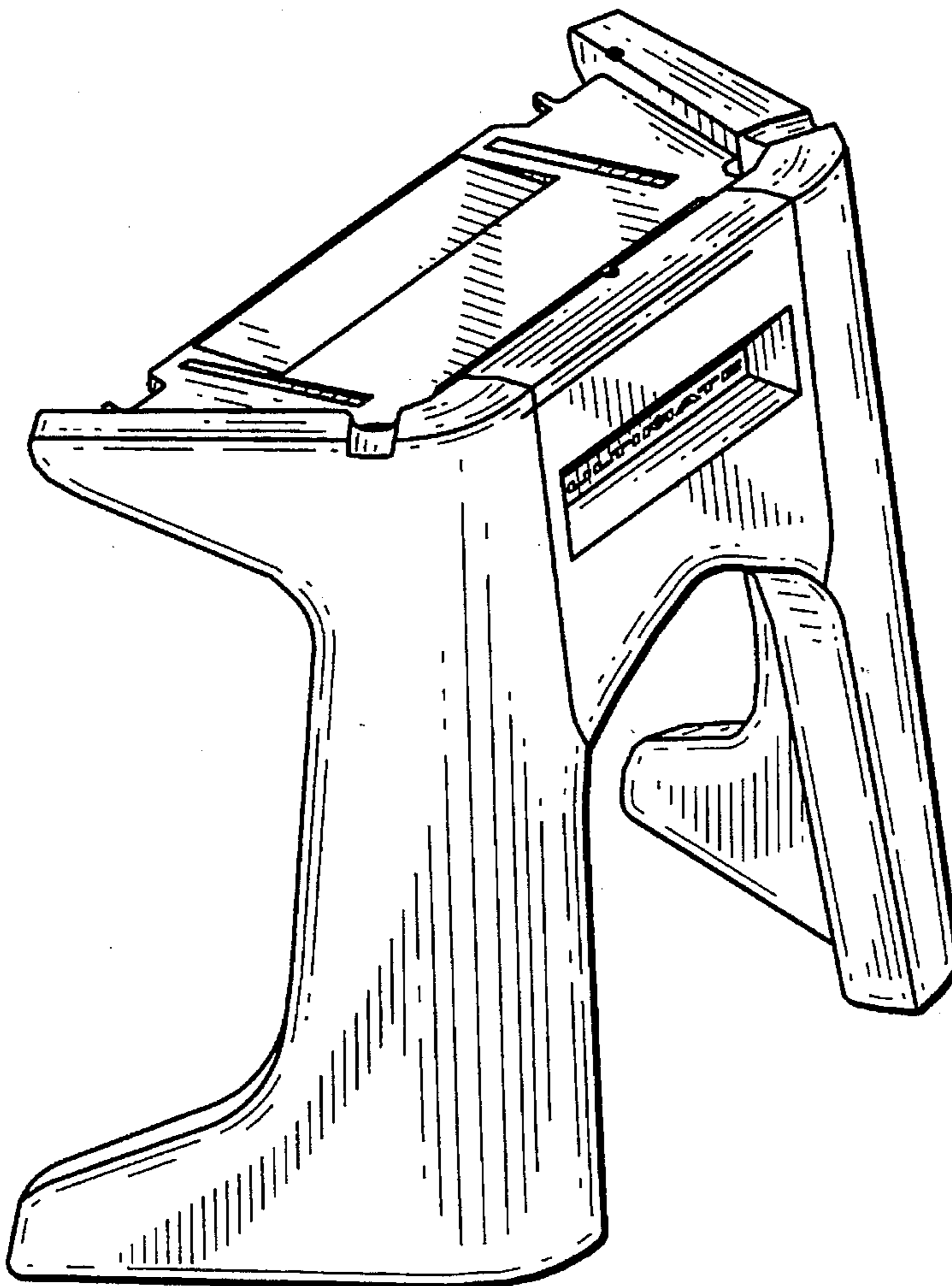
FIG. 4 is a photo of the rear elevational view of the ornamental stand;

FIG. 5 is a photo of the top plan view of the ornamental stand;

FIG. 6 is a photo of the bottom plan view thereof; and,

FIG. 7 is a photo of the side elevational view of the ornamental stand; the elevational view from the opposite side is a mirror image.

1 Claim, 4 Drawing Sheets



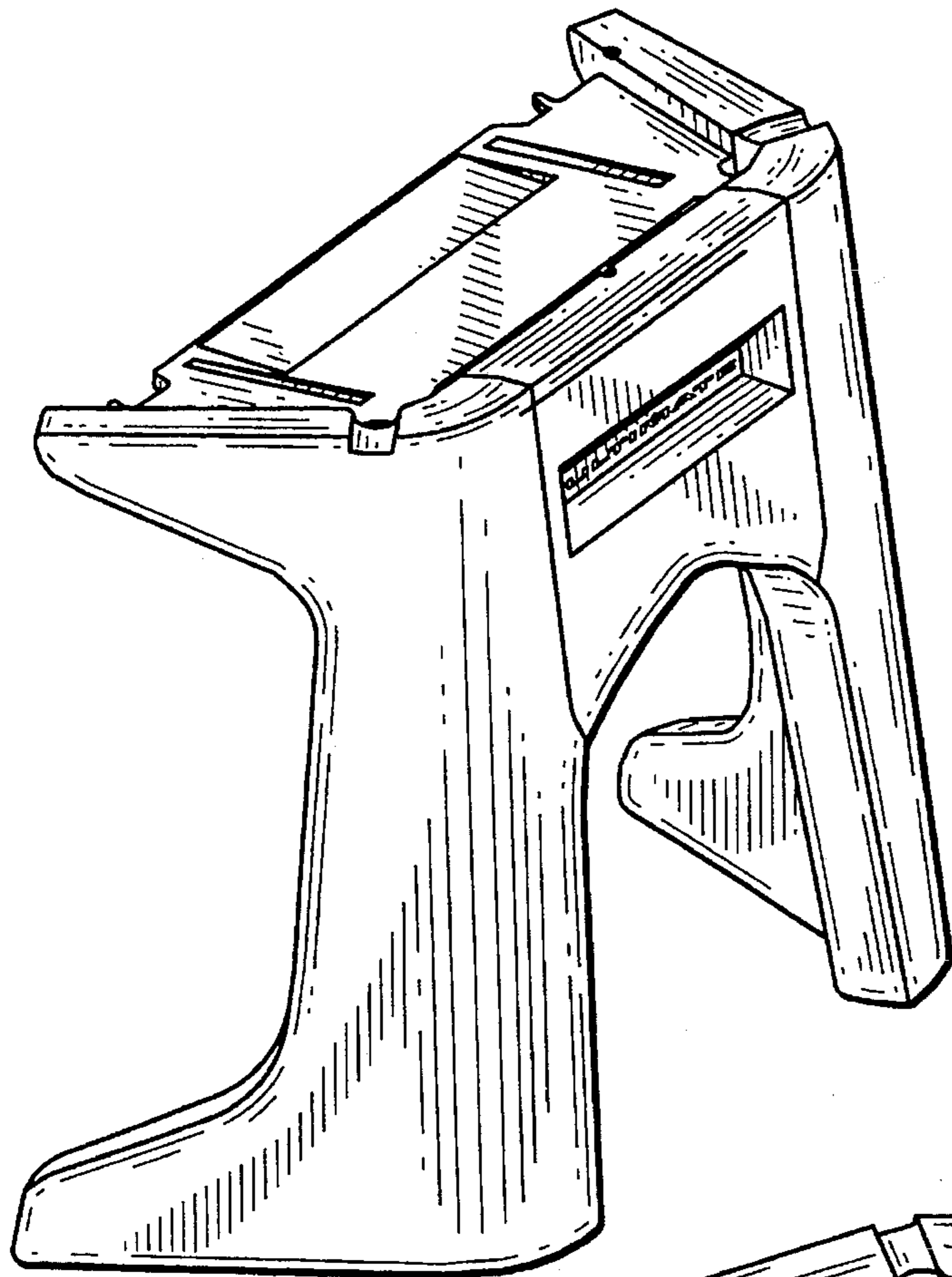


FIG. 1

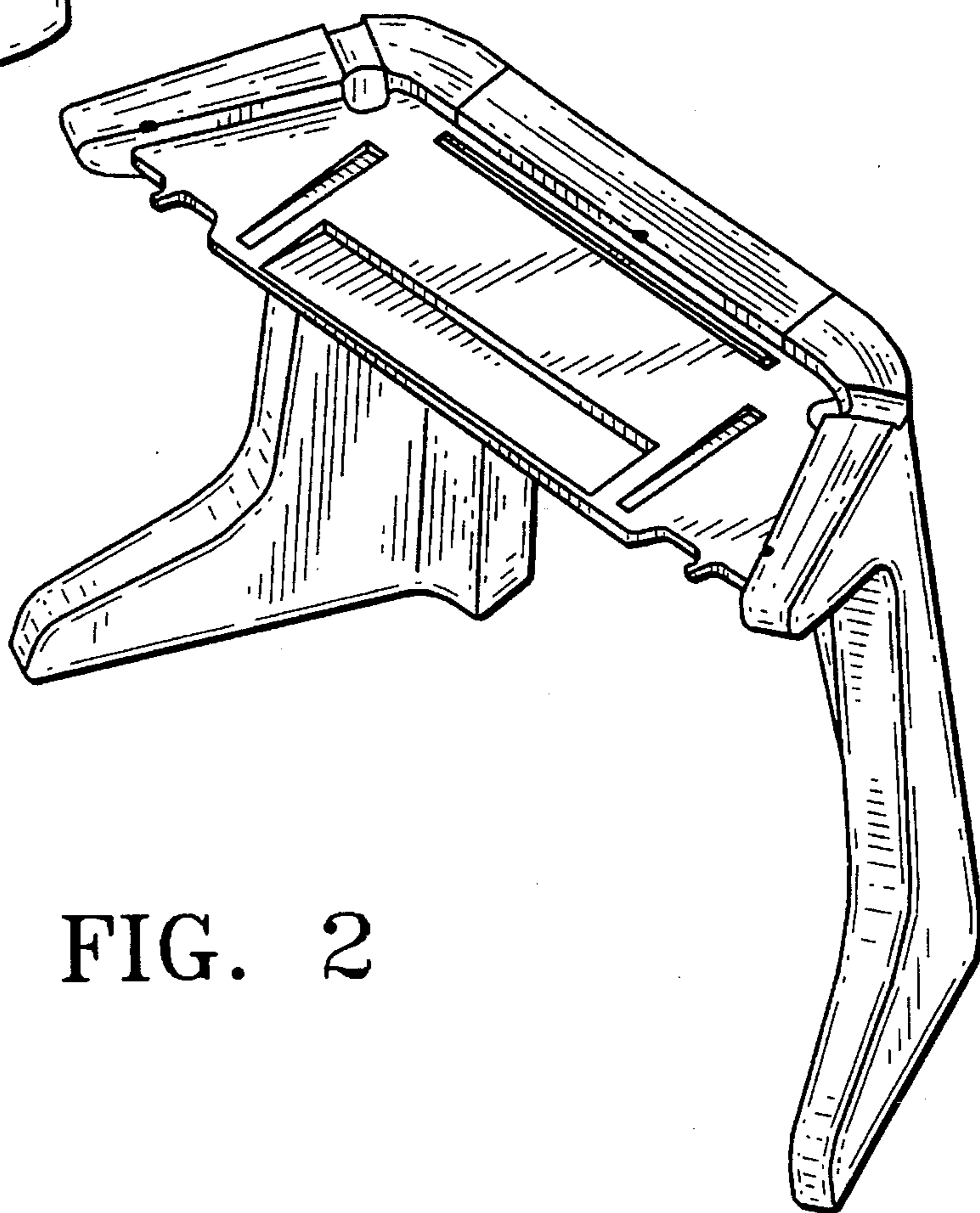


FIG. 2

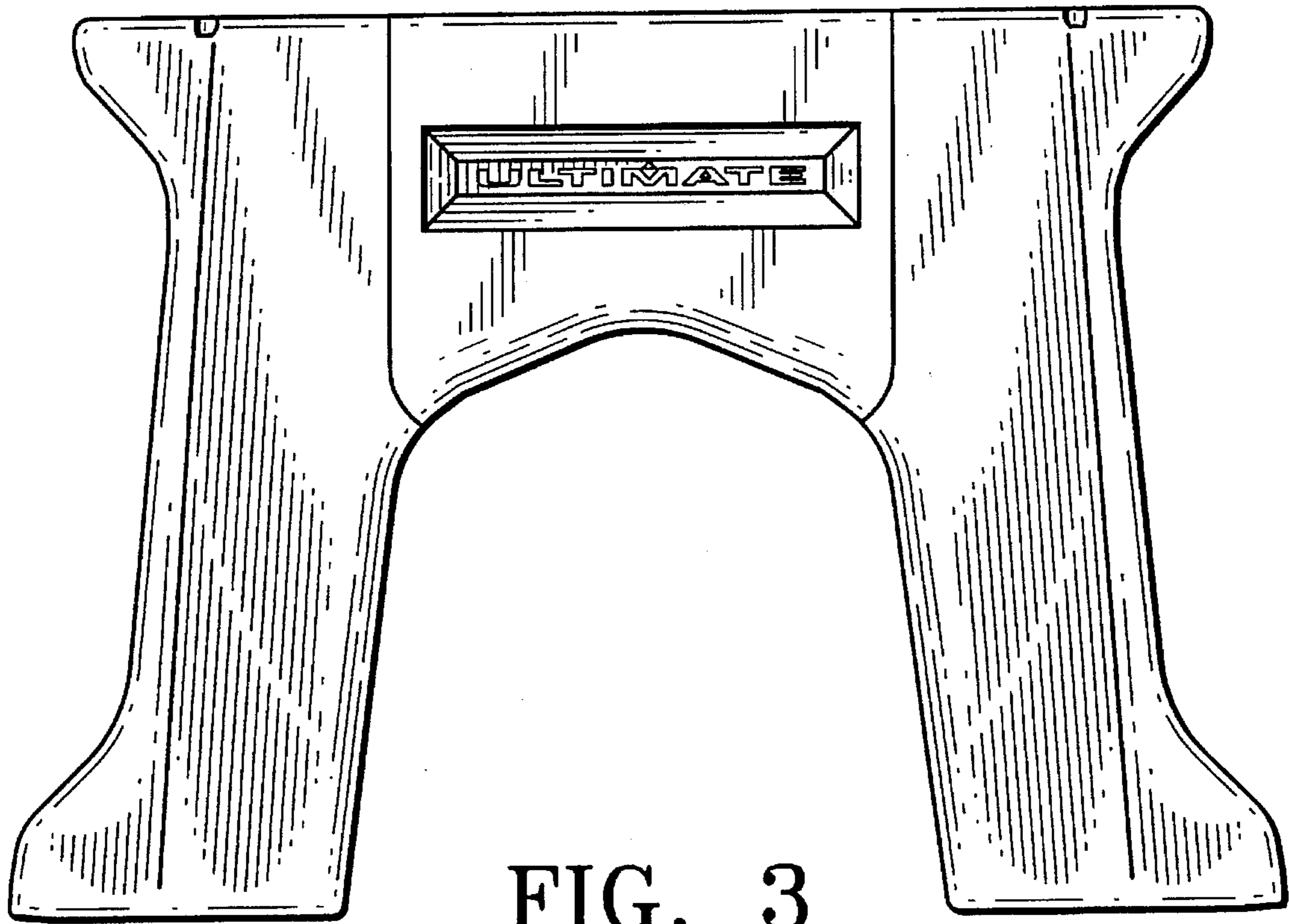


FIG. 3

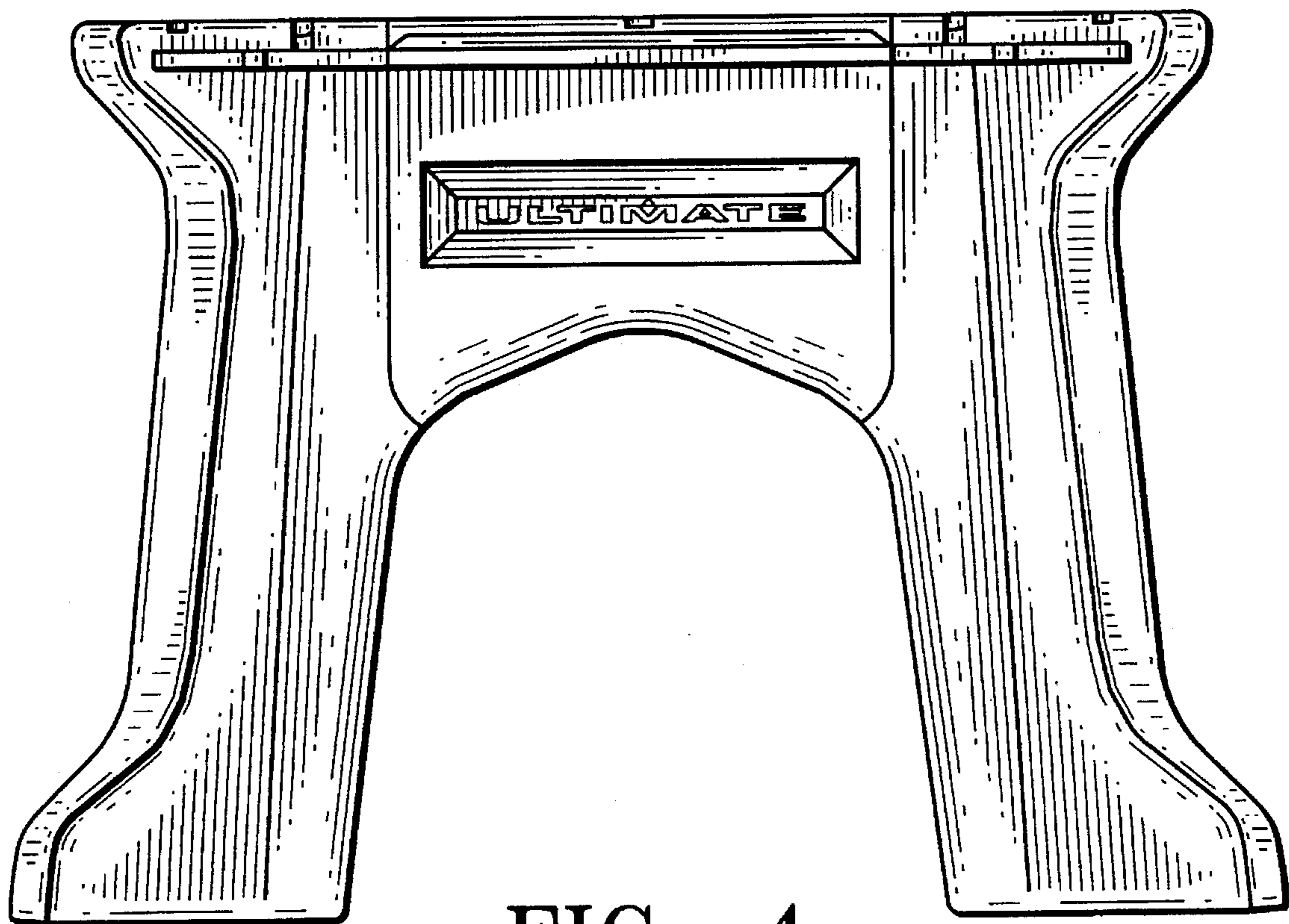


FIG. 4

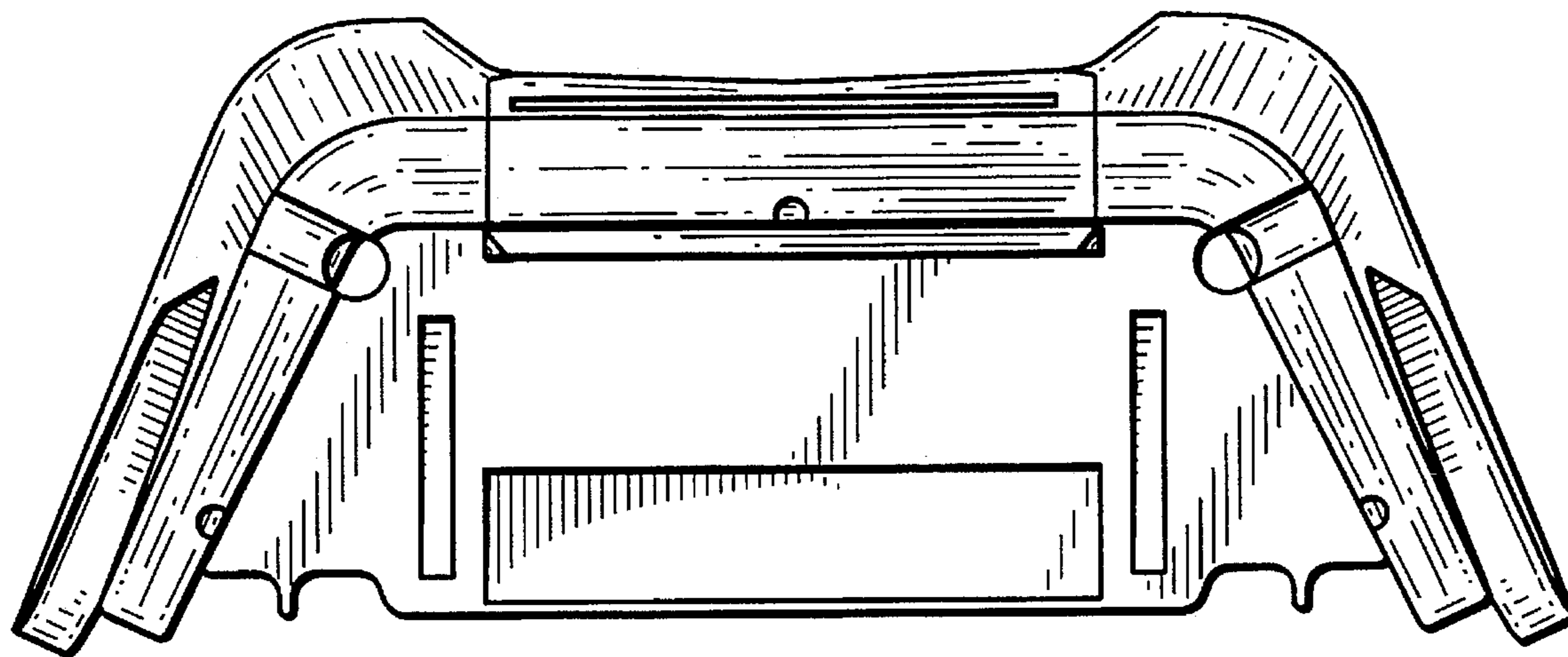


FIG. 5

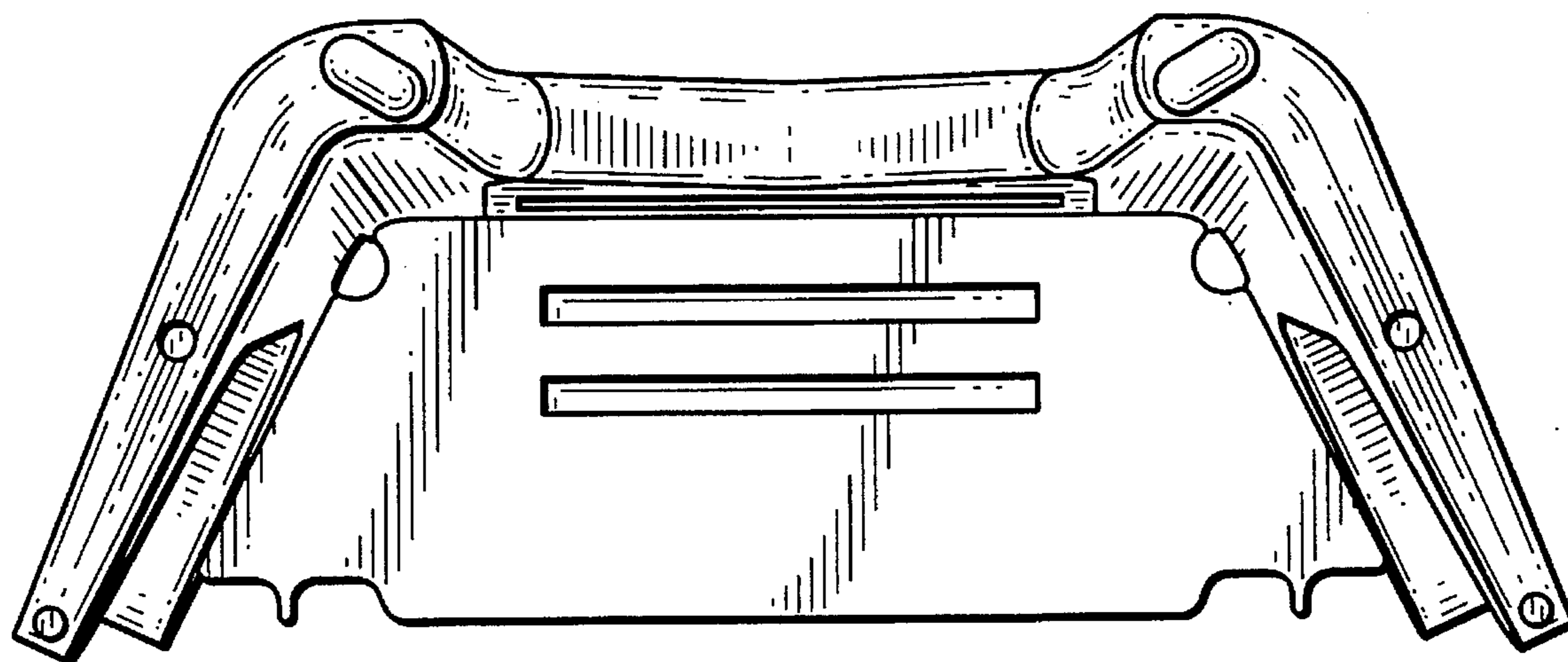


FIG. 6

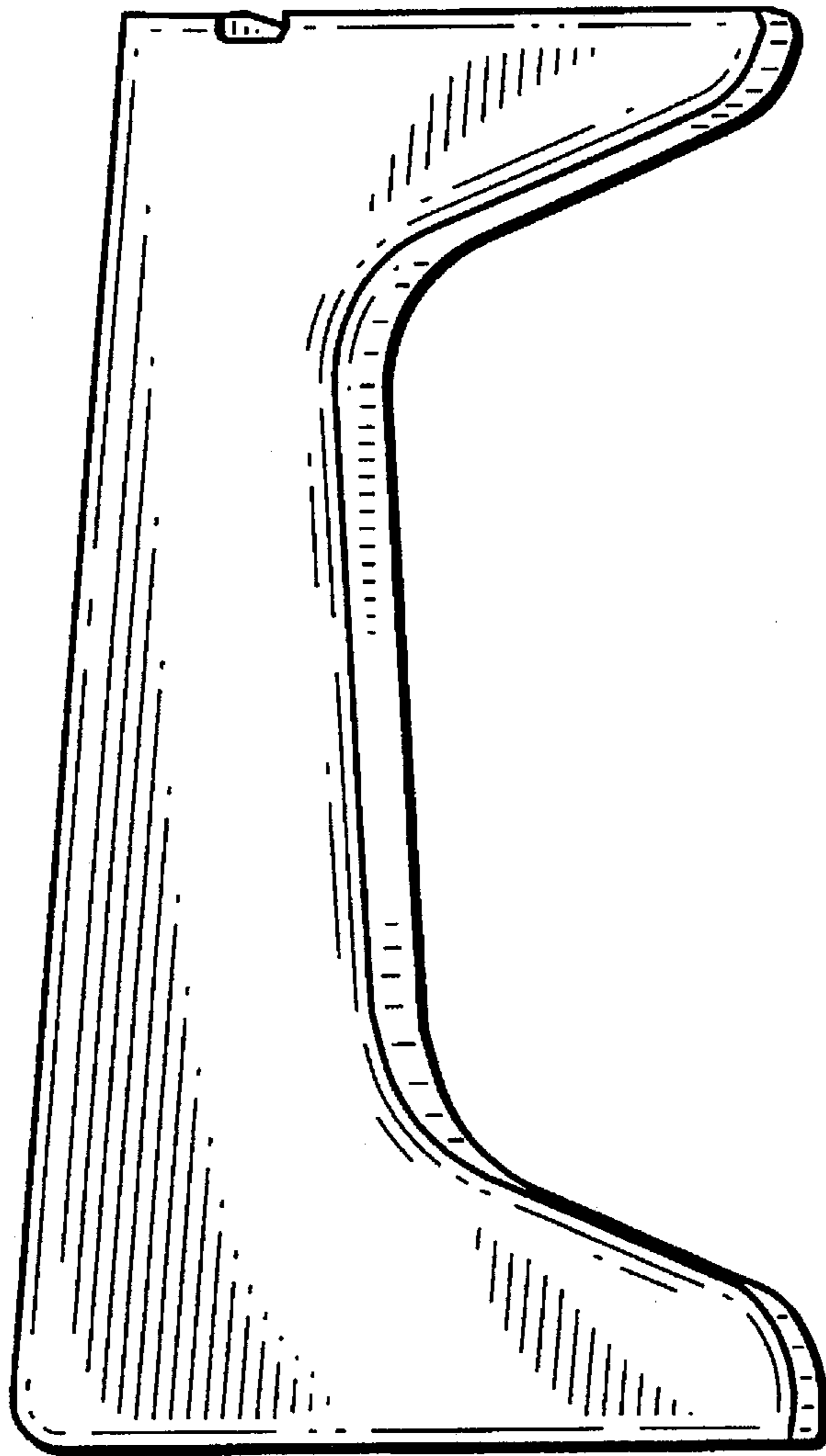


FIG. 7