



US00D375638S

United States Patent [19]

Dhanapal et al.

[11] Patent Number: **Des. 375,638**

[45] Date of Patent: ****Nov. 19, 1996**

[54] **TRANSFER BENCH FOR BATHTUB**

[75] Inventors: **Shivaprasad Dhanapal**, Statesville, N.C.; **John Ledingham**, Chicago, Ill.

[73] Assignee: **Rubbermaid Health Care Products Inc.**, Statesville, N.C.

[**] Term: **14 Years**

[21] Appl. No.: **46,406**

[22] Filed: **Nov. 14, 1995**

[52] U.S. Cl. **D6/377; D6/335**

[58] Field of Search **D6/334, 335, 336, D6/349, 355, 374, 377, 380, 500, 501, 502; D23/278, 304; 4/559, 560.1, 578.1, 579; 248/188.8; 297/440.16**

[56] References Cited

U.S. PATENT DOCUMENTS

D. 347,526	6/1994	Hamilton	D6/335
D. 350,238	9/1994	Ward	D6/335
D. 355,985	3/1995	Karten et al.	D6/374
D. 357,361	4/1995	Karten et al.	D6/349
2,699,814	1/1955	Kahn	248 X/188.8
3,512,187	5/1970	Thomas et al.	4/185
4,391,006	7/1983	Smith	4/559
4,656,678	4/1987	Lipski	4/578.1

OTHER PUBLICATIONS

Pp. 36 and 42, Chair legs; Sunrise Medical, Guardian, Arleta, California 91331-4522.
Pp. 39, 40 and 41, Chair legs; Temco, A Graham-Field Company, Passaic, New Jersey.

P. 11, Chair legs; Invacare, 899 Cleveland Street, P. O. Box 4028, Elyria, Ohio 44036-2125.

P. 11, Chair legs; Lumex, A Division of Lumex, Inc., 100 Spence Street, Bay Shore, New York, 11706-2290.

P. 32, Chair legs; Carex Health Care Products, A Division of Acorn Development Companies, Inc., 39 Tompkins Point Road, Newark, New Jersey 07114.

Primary Examiner—Gary D. Watson

Attorney, Agent, or Firm—Richard B. O'Planick; Lisa B. Riedesel

[57] CLAIM

The ornamental design for a transfer bench for bathtub, as shown and described.

DESCRIPTION

FIG. 1 is a top right front perspective view of a transfer bench for bathtub showing our new design;

FIG. 2 is a top plan view thereof;

FIG. 3 is a front elevational view thereof;

FIG. 4 is a right side elevational view thereof;

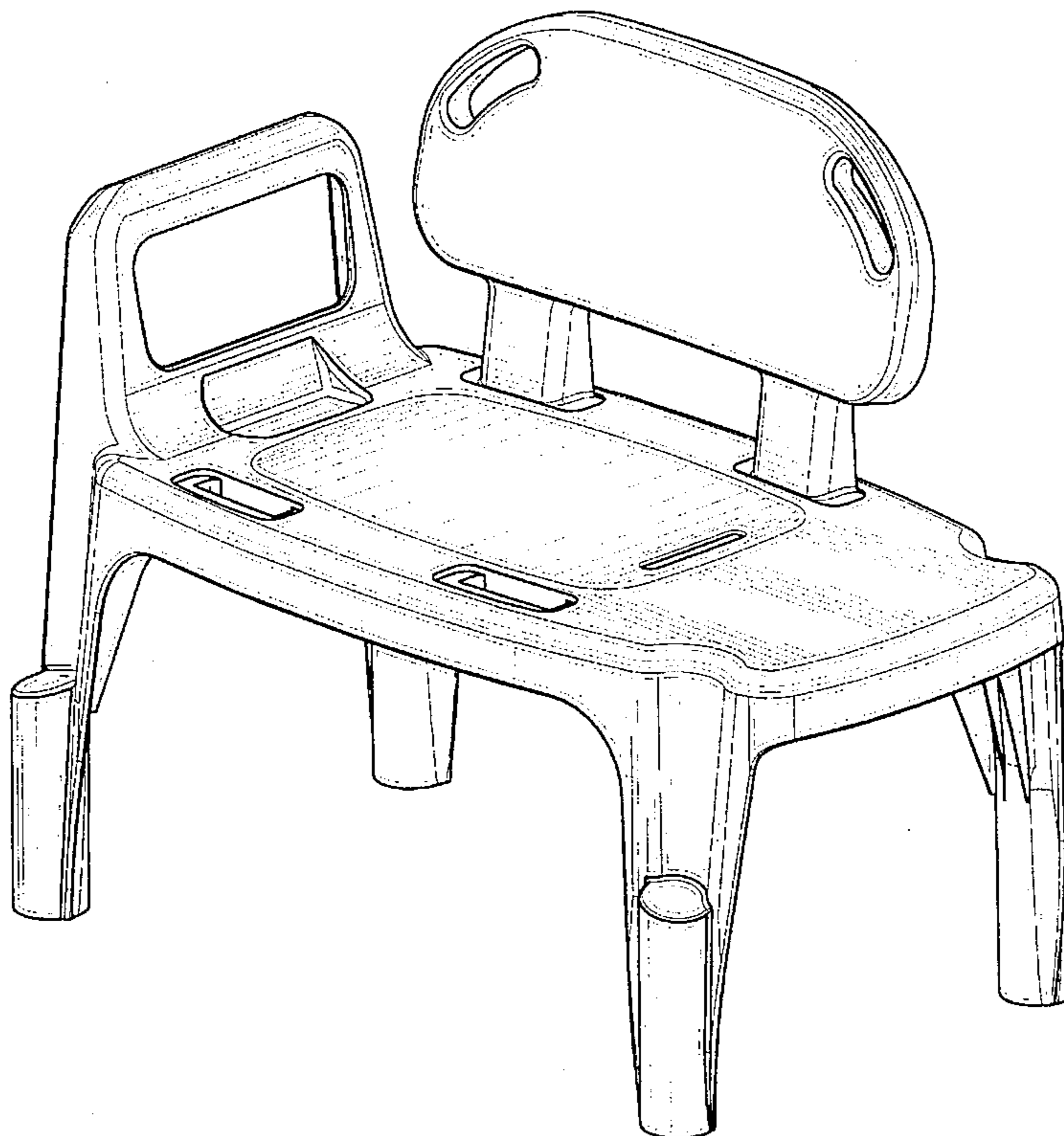
FIG. 5 is a rear elevational view thereof;

FIG. 6 is a left side elevational view thereof; and,

FIG. 7 is a bottom plan view thereof.

FIGS. 2 through 7 have been shown on an enlarged scale.

1 Claim, 7 Drawing Sheets



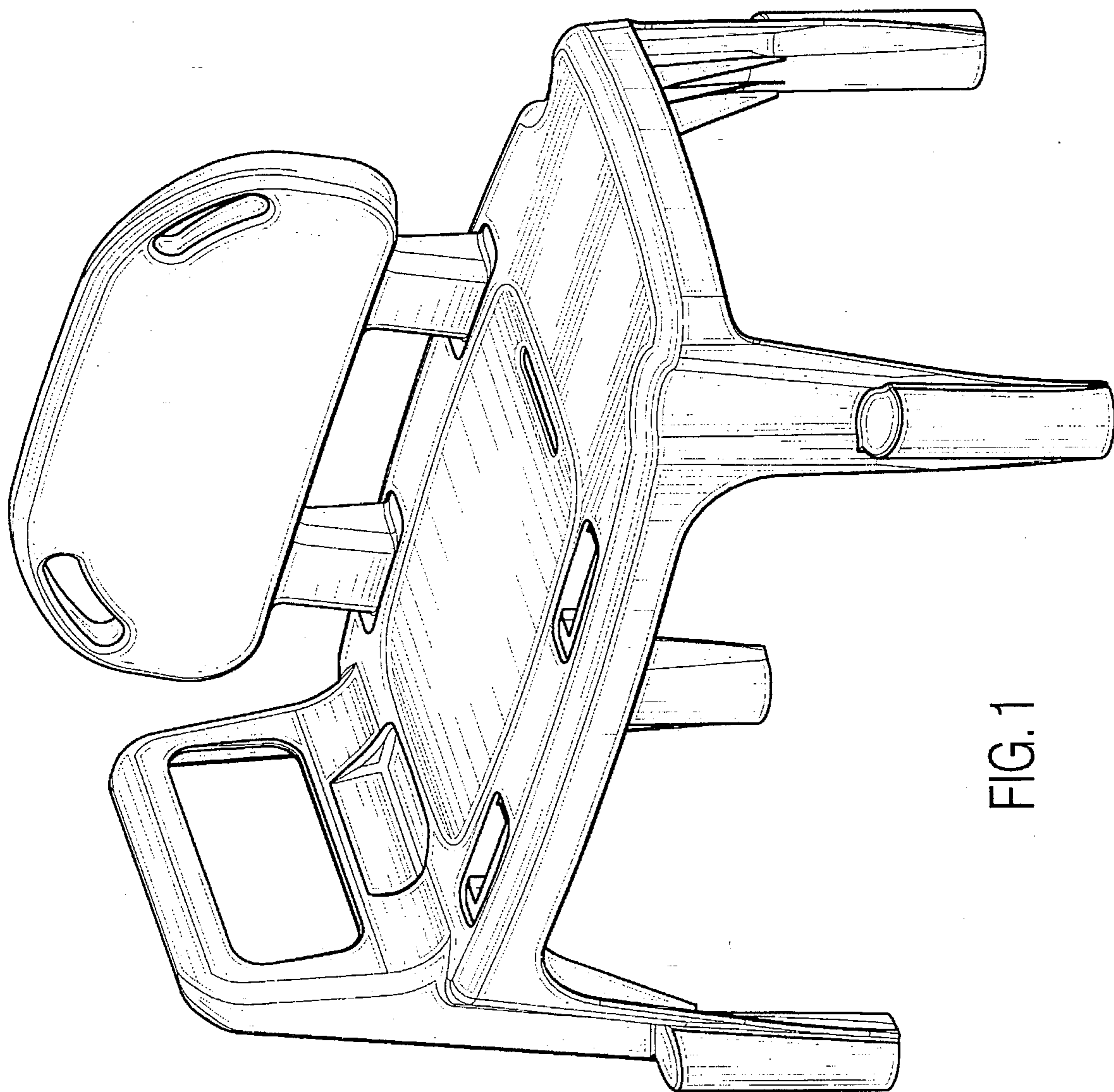


FIG. 1

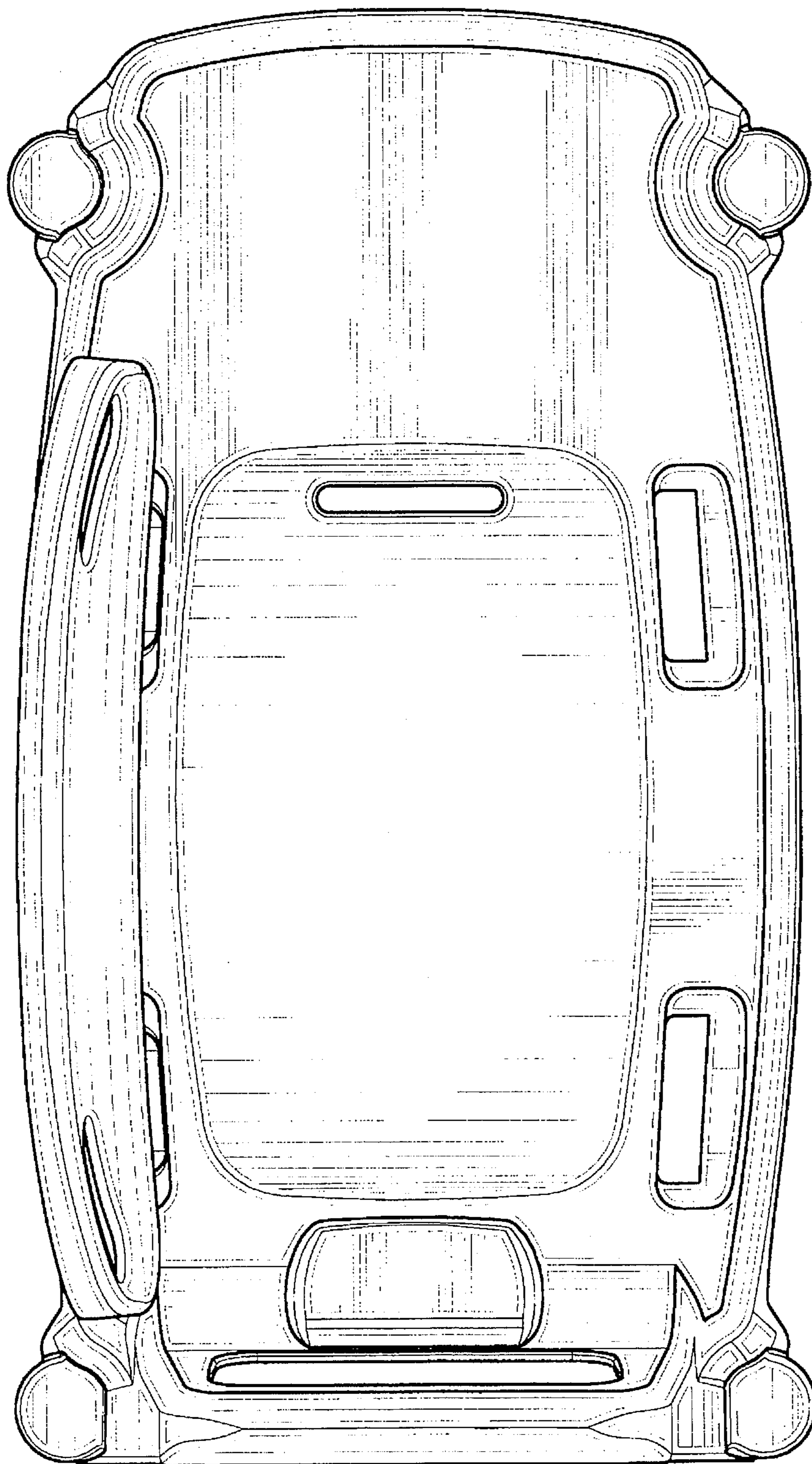


FIG. 2

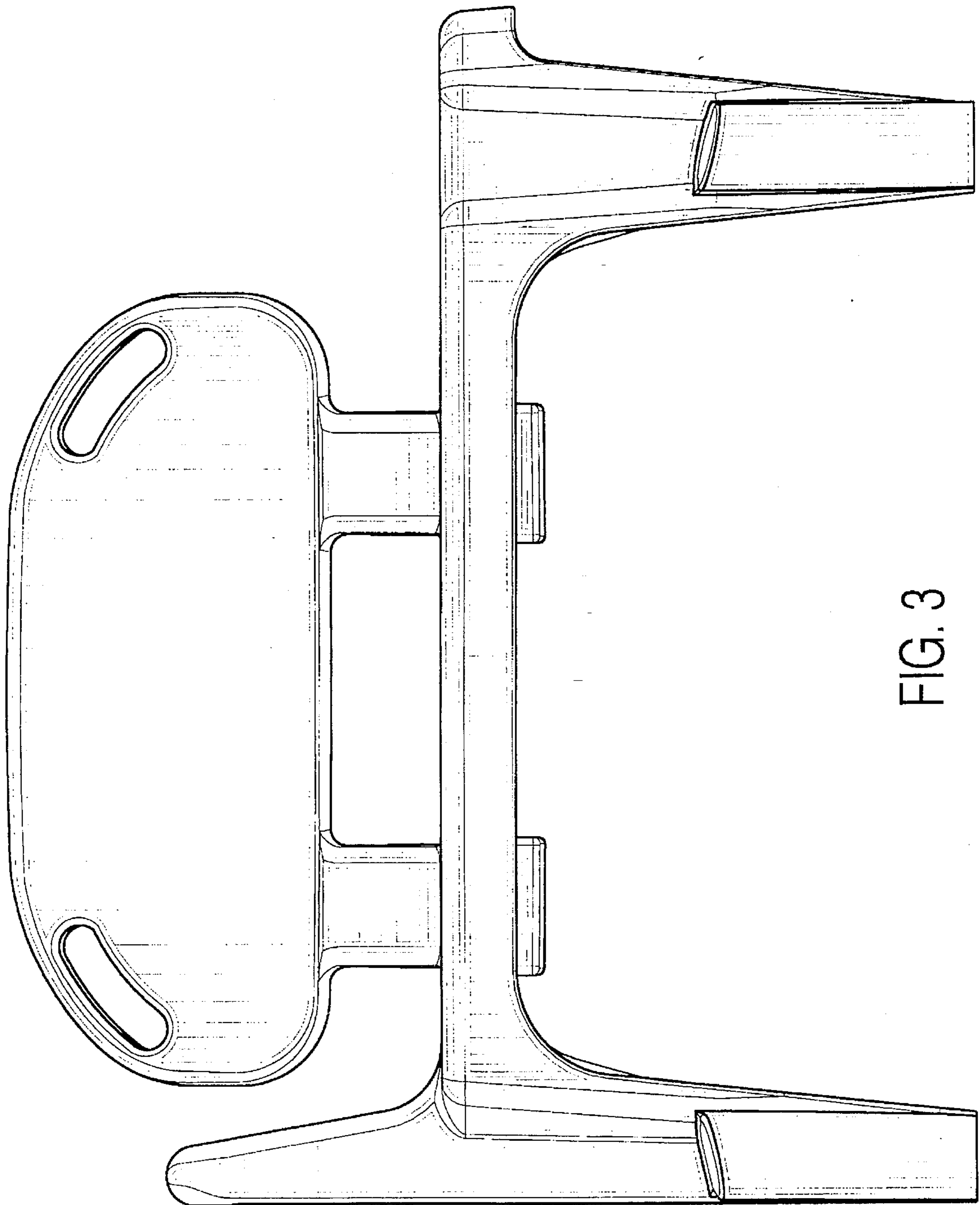


FIG. 3

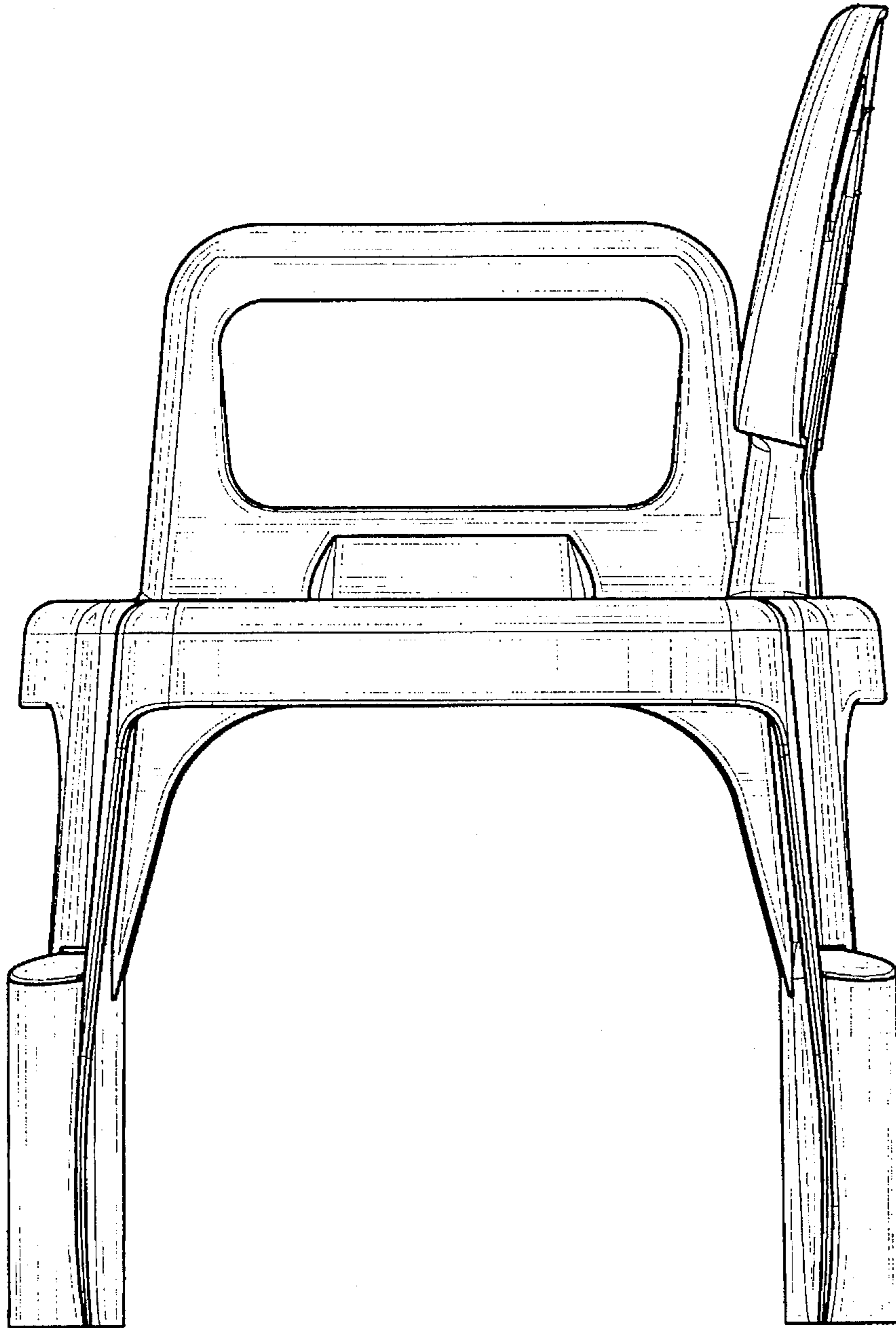


FIG. 4

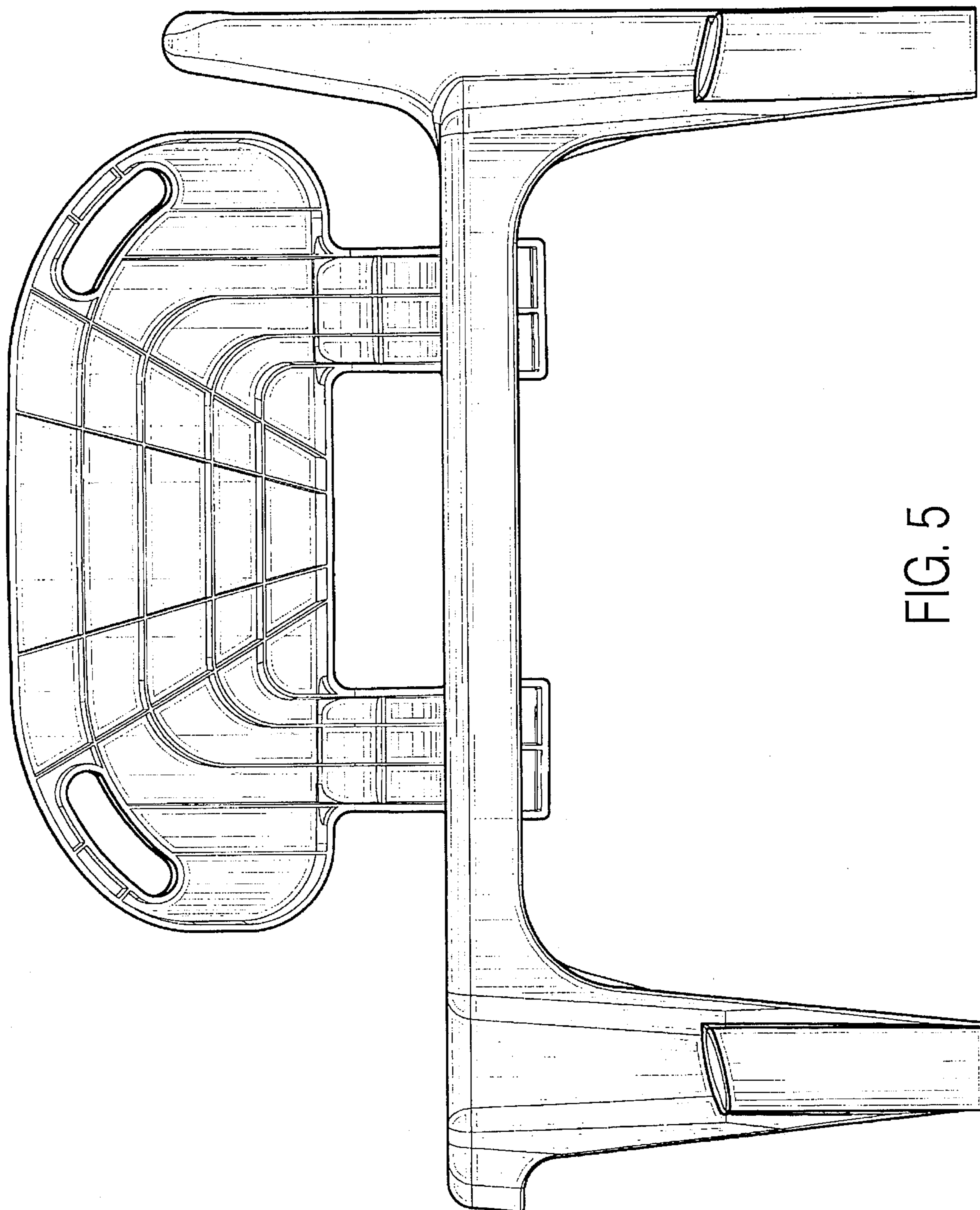


FIG. 5

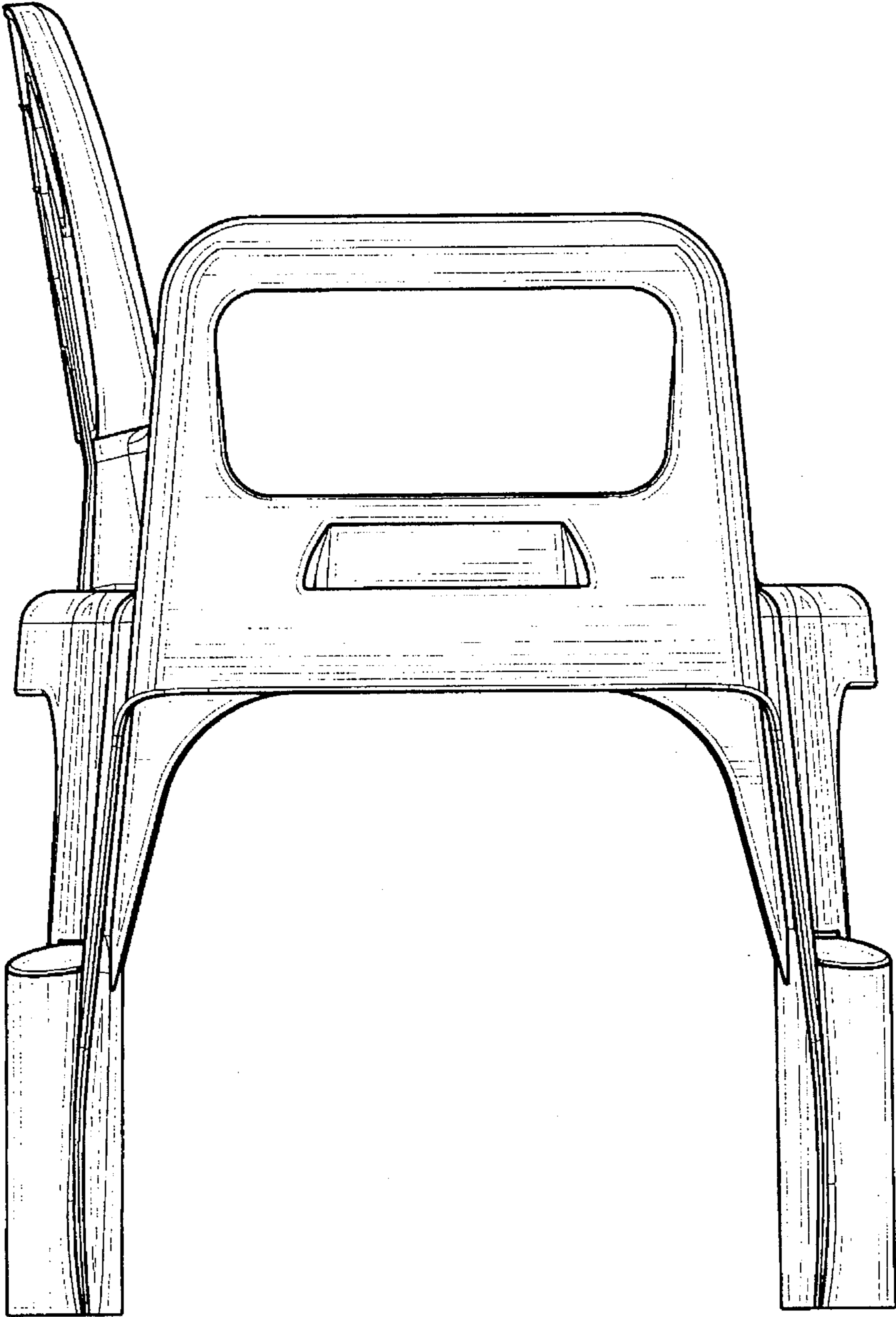


FIG. 6

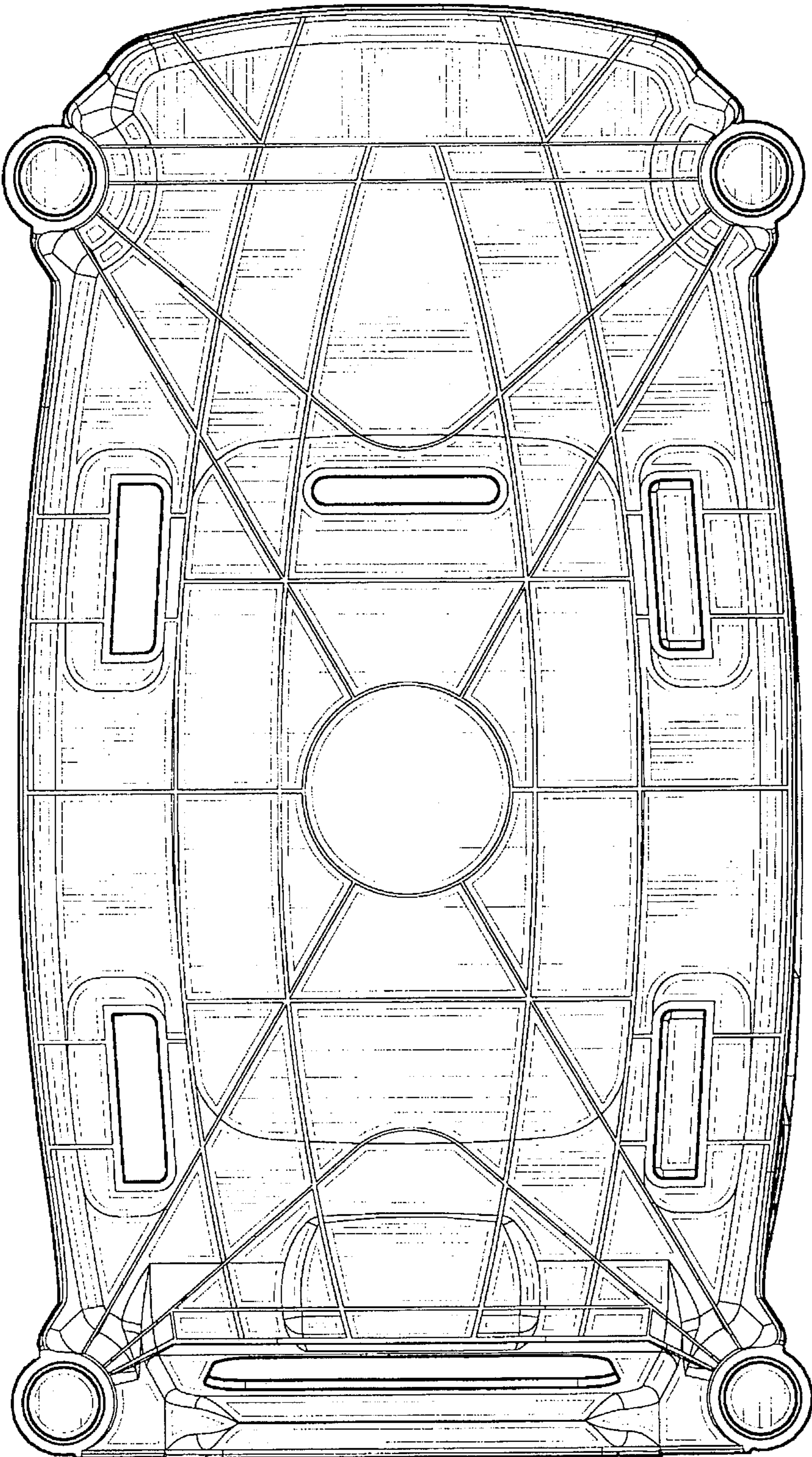


FIG. 7