



US00D375632S

# United States Patent [19]

Uranga et al.

[11] Patent Number: **Des. 375,632**

[45] Date of Patent: **\*\*Nov. 19, 1996**

[54] **BROOM**

[76] Inventors: **Edward Uranga; Ruben Uranga, Jr.**,  
both of 4342 Glenmuir Ave., Los  
Angeles, Calif. 90065

[\*\*] Term: **14 Years**

[21] Appl. No.: **26,916**

[22] Filed: **Aug. 9, 1994**

[52] U.S. Cl. .... **D4/132; D32/50**

[58] Field of Search ..... **D4/132, 135, 199;**  
**15/143.1, 144.1, 159.1, 160, 146, 175,**  
**171; D32/50, 51**

2,666,221	1/1954	Stepper .	
2,922,179	1/1960	Lundgren .....	15/146
3,108,306	10/1963	McWilliams .....	15/171
3,340,557	9/1967	Rosenzweig .	
3,619,845	11/1971	Partridge et al. ....	15/117
3,783,468	1/1974	Saloutos .	
3,795,933	3/1974	Seufert .....	15/144.1 X
4,239,413	12/1980	Wludyka .....	15/175 X
5,414,889	5/1995	Sartori .....	15/159.1

*Primary Examiner*—A. Hugo Word  
*Assistant Examiner*—Lavone Tabor  
*Attorney, Agent, or Firm*—Fulwider Patton Lee & Utecht

## [57] CLAIM

The ornamental design for a broom, as shown and described.

## DESCRIPTION

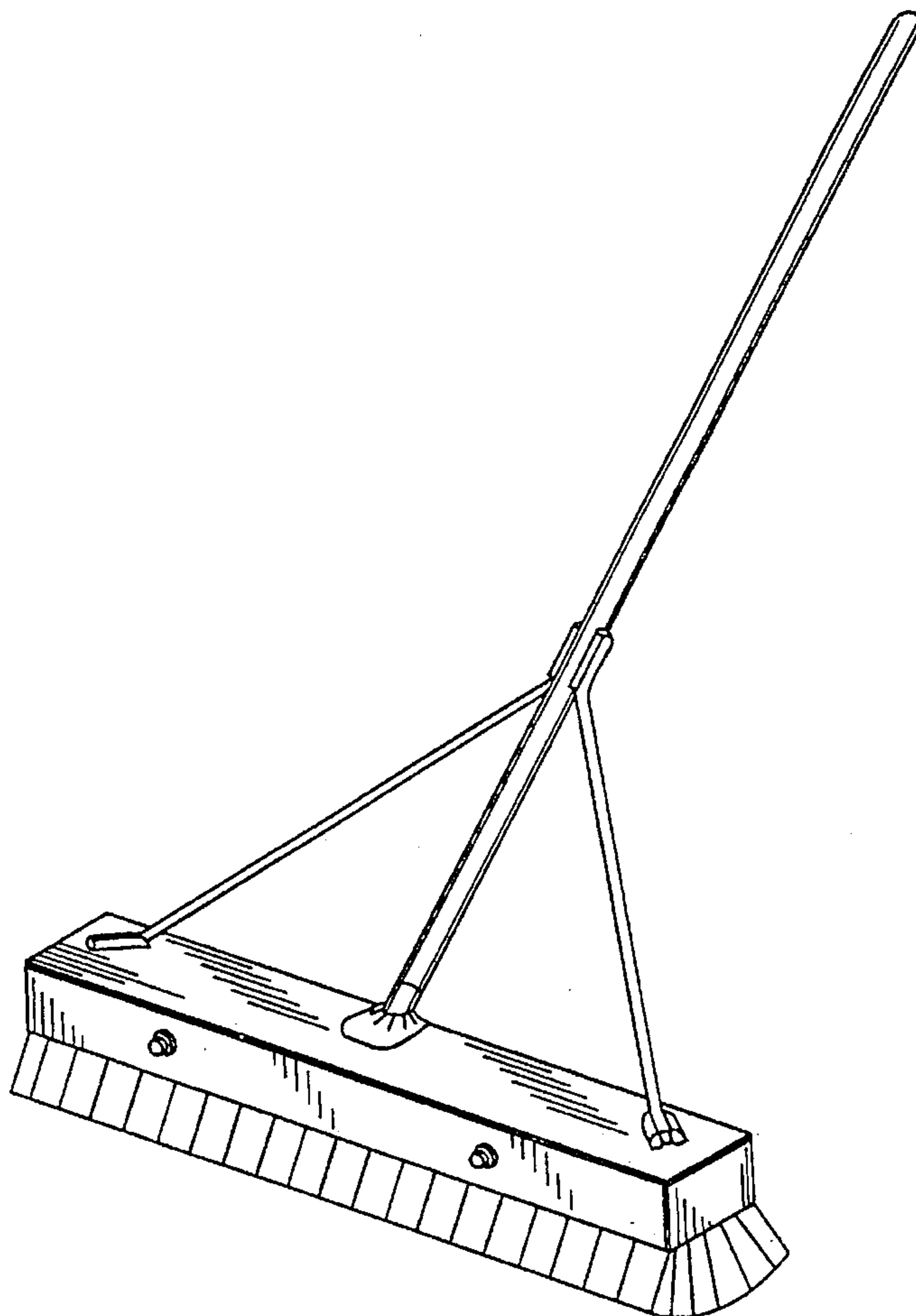
FIG. 1 is a front perspective view of a broom embodying our new design;  
FIG. 2 is a rear perspective view of the broom as shown in FIG. 1;  
FIG. 3 is a right side elevational view thereof;  
FIG. 4 is a top plan view thereof;  
FIG. 5 is a bottom perspective view thereof;  
FIG. 6 is a bottom perspective view thereof with the bristles removed for clarity and ease of illustration only; and,  
FIG. 7 is a front perspective view of FIG. 6.

**1 Claim, 7 Drawing Sheets**

## References Cited

### U.S. PATENT DOCUMENTS

D. 277,524	1/1985	Kubick .....	D4/130 X
D. 278,009	3/1985	Evans .....	D4/130 X
D. 307,517	5/1990	Marllory et al. ....	D32/50 X
913,304	2/1909	Petersen .	
1,277,230	8/1918	Lohstroh .	
1,335,116	3/1920	Johanson .	
1,525,438	2/1925	Boone .	
2,044,595	6/1936	Schumann .	
2,090,412	8/1937	Geiger .....	15/111
2,112,297	3/1938	McGoldrick .	
2,648,860	8/1953	Febvre .	



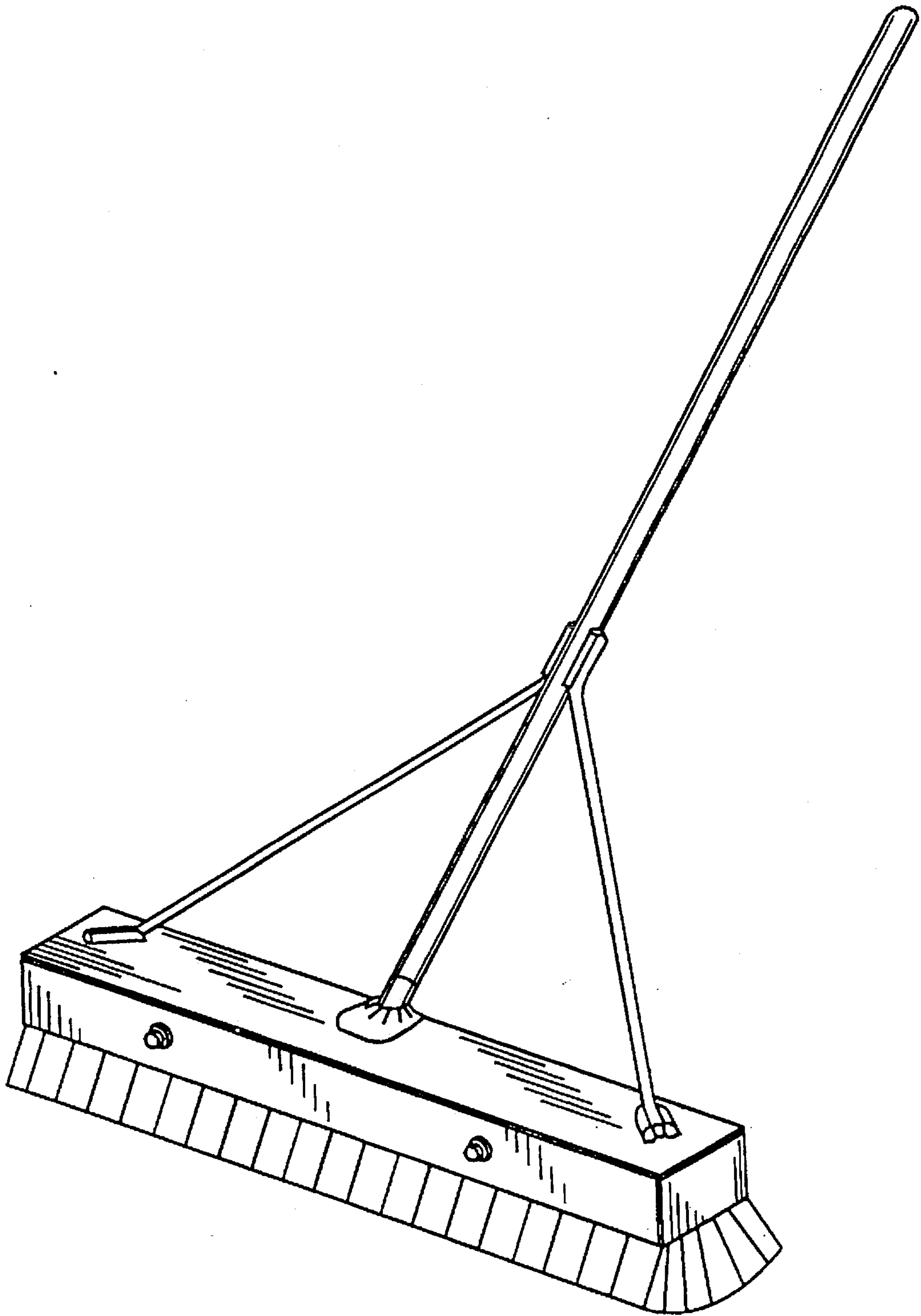


FIG. 1

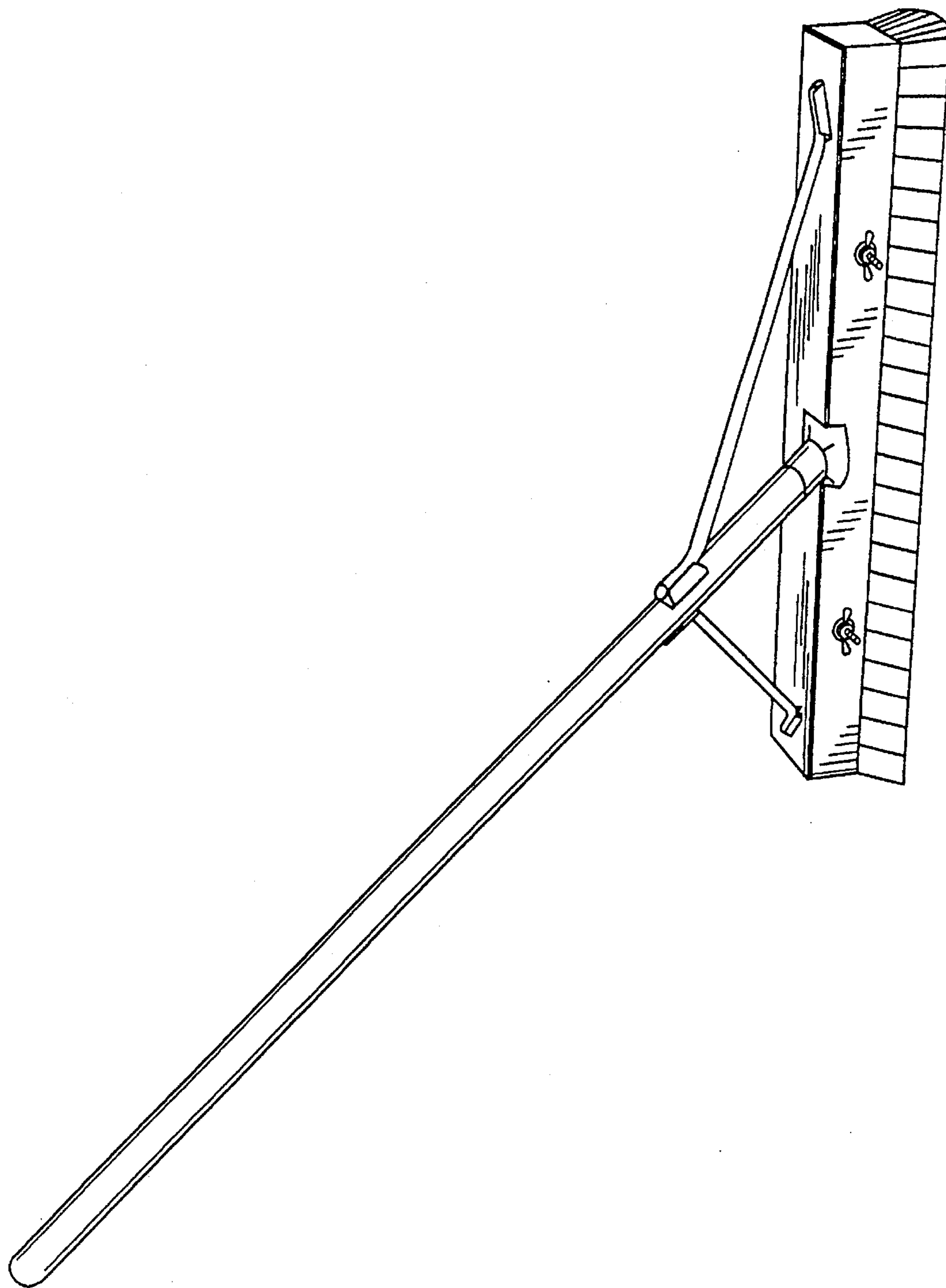


FIG. 2

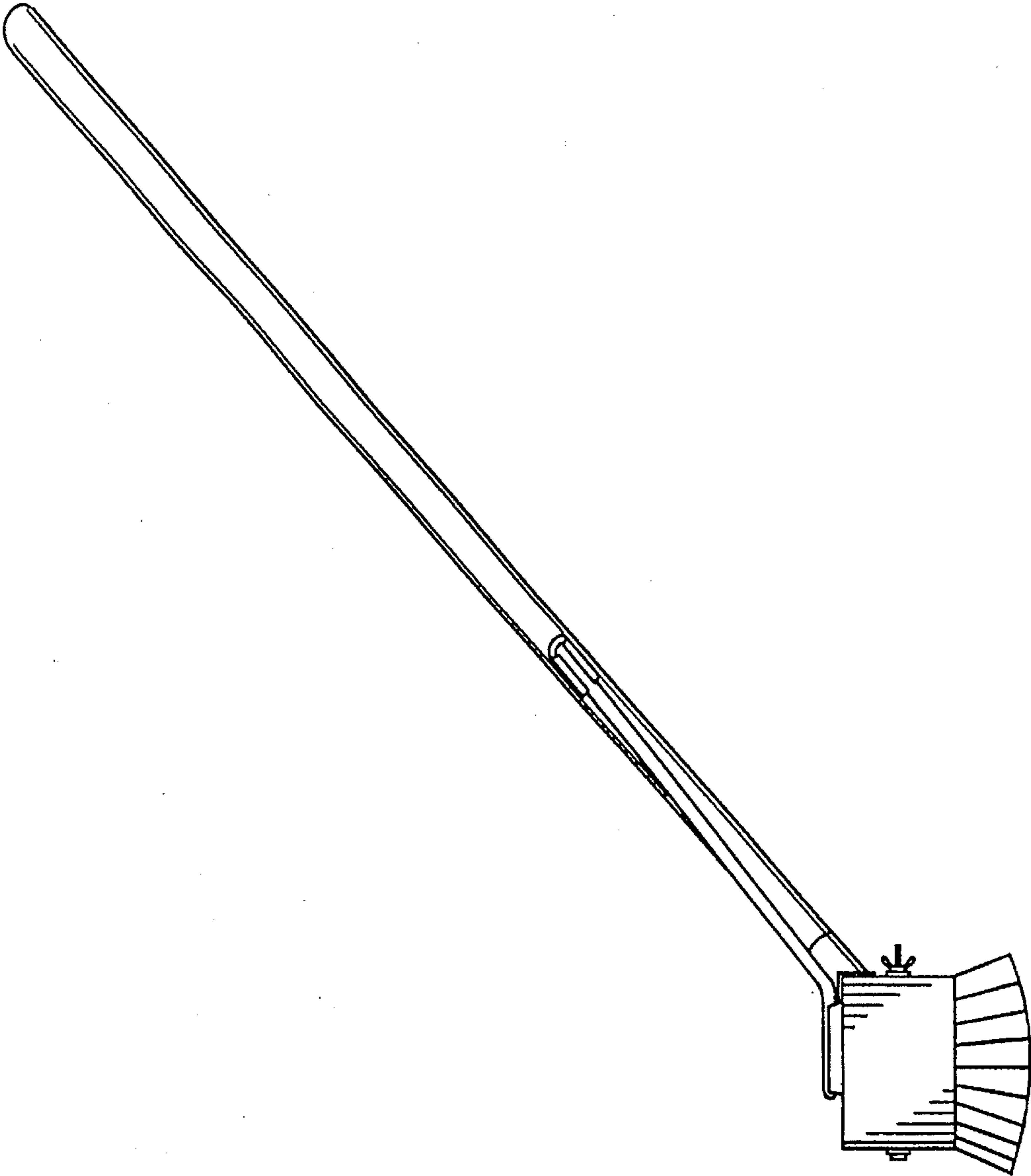


FIG. 3

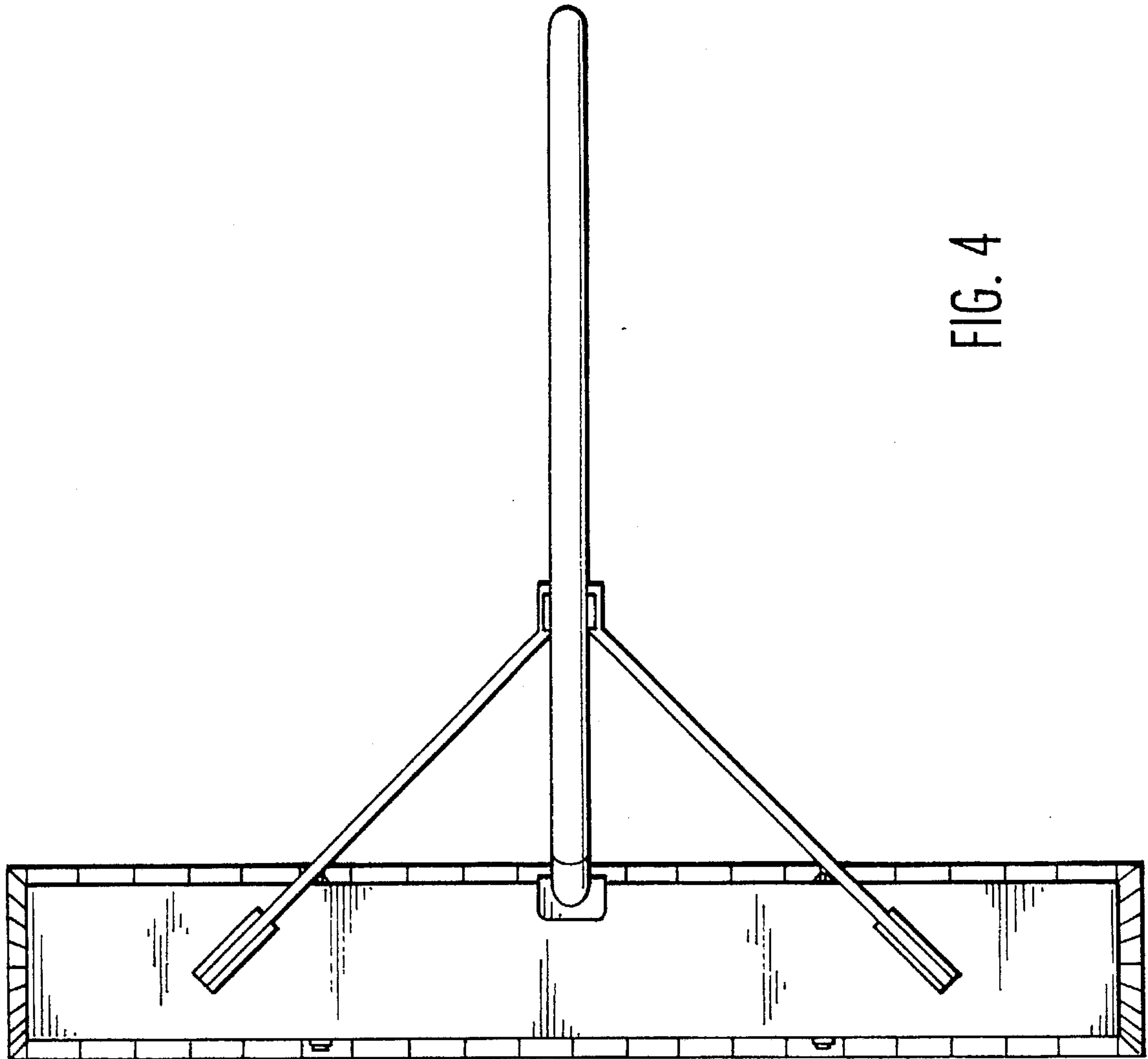


FIG. 4

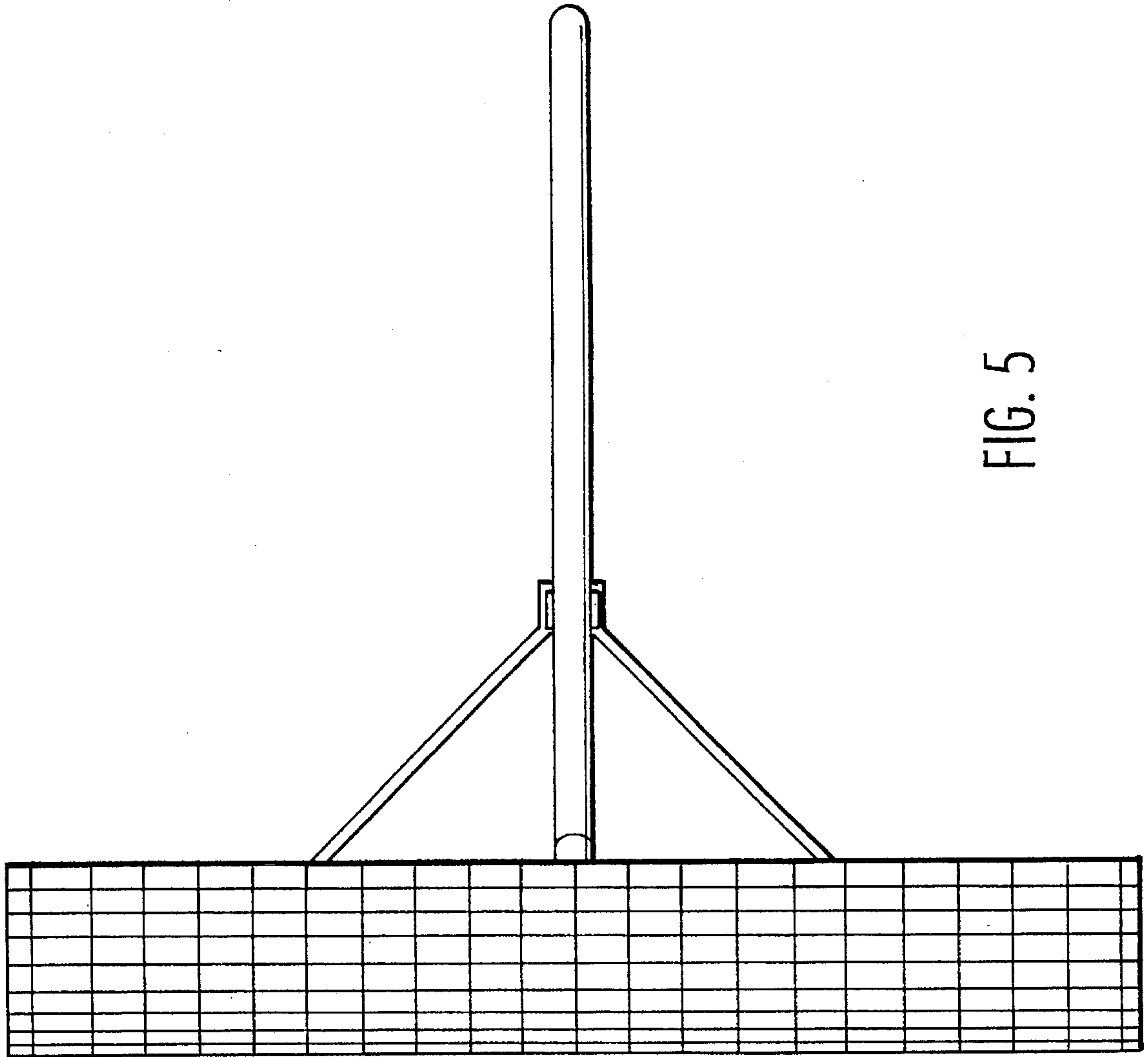


FIG. 5

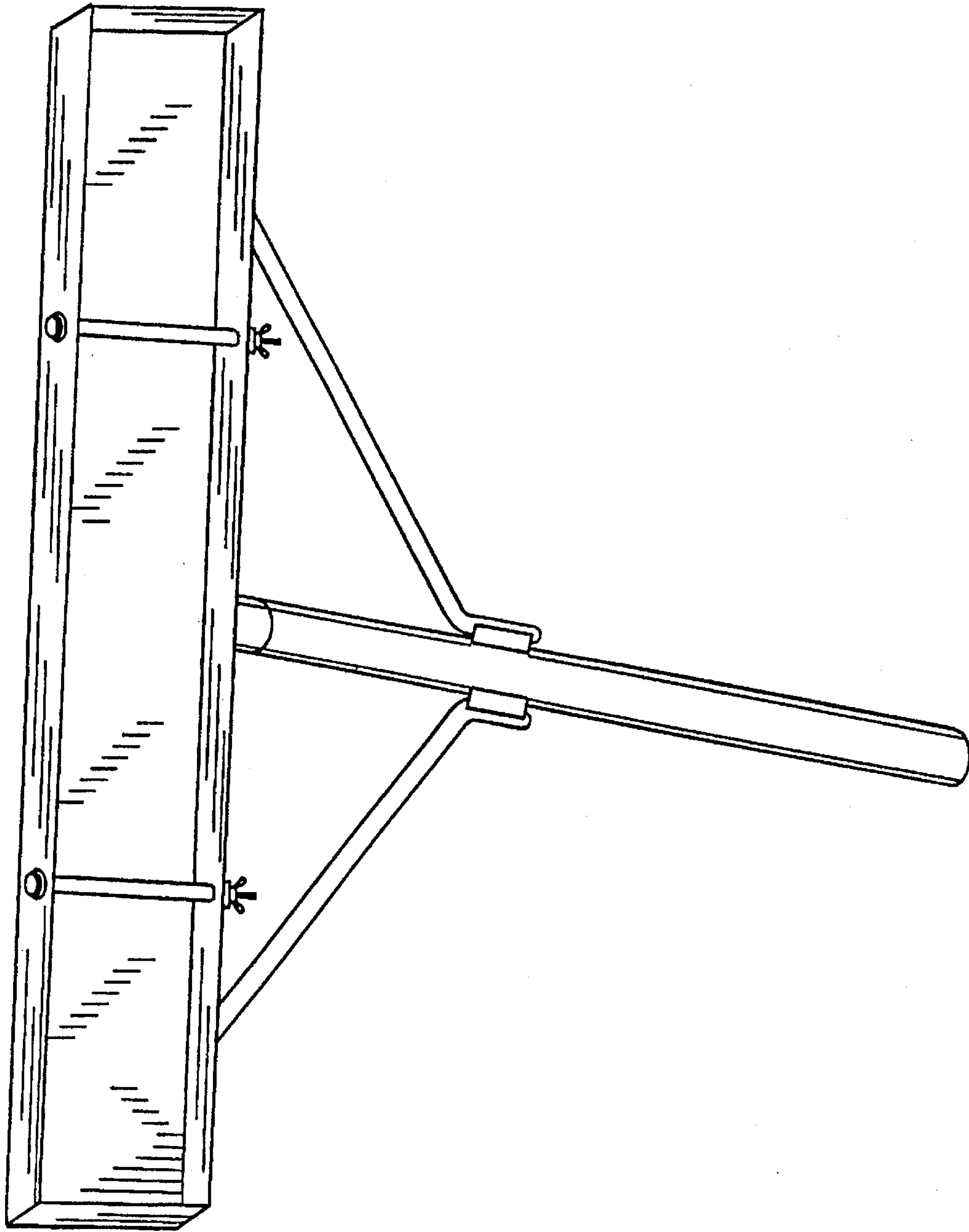


FIG. 6



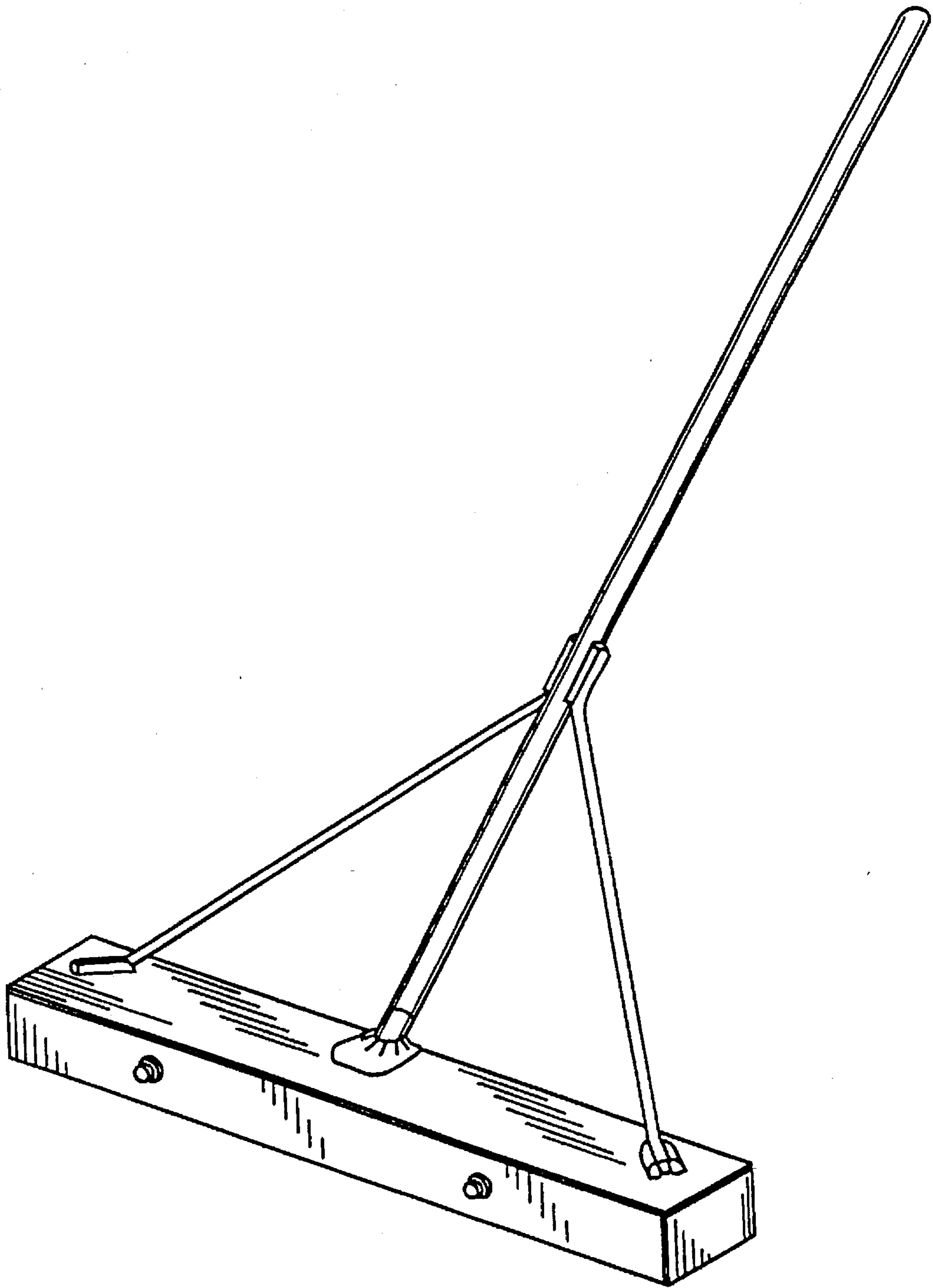


FIG. 7