



US00D375628S

**United States Patent** [19]  
**Williamson**

[11] **Patent Number: Des. 375,628**

[45] **Date of Patent: \*\*Nov. 19, 1996**

[54] **SAMPLE CASE**  
[75] **Inventor: Edward W. Williamson, Barnesville, Ga.**

4,699,267 10/1987 Burke ..... 206/278  
4,733,759 3/1988 Shih-Chen ..... 190/18 A  
5,193,675 3/1993 Otis ..... 206/278  
5,211,288 5/1993 Beall ..... 206/577  
5,307,908 5/1994 Shyr et al. .... 190/18 A

[73] **Assignee: Herkert & Meisel Trunk Co., St. Louis, Mich.**

*Primary Examiner*—Philip S. Hyder  
*Attorney, Agent, or Firm*—Grace J. Fishel

[\*\*] **Term: 14 Years**

[57] **CLAIM**

[21] **Appl. No.: 31,527**

The ornamental design for a sample case, as shown.

[22] **Filed: Nov. 30, 1994**

**DESCRIPTION**

[52] **U.S. Cl. .... D3/279**

[58] **Field of Search** ..... D3/279, 282, 283,  
D3/276, 285, 289, 300; 190/109, 111, 115,  
119, 902, 18 A, 110, 113

FIG. 1 is a perspective view of a sample case showing my new design, the flap being shown in an open position;  
FIG. 2 is an top view thereof shown with the flap in a closed position;  
FIG. 3 is a bottom view thereof shown with the flap in a closed position;  
FIG. 4 is a right side elevation as viewed in FIG. 1 shown with the flap in a closed position;  
FIG. 5 is a front view thereof shown with the flap in a closed position;  
FIG. 6 is a left side elevation view thereof shown with the flap in a closed position; and,  
FIG. 7 is a rear view thereof shown with the flap in a closed position.

[56] **References Cited**

**U.S. PATENT DOCUMENTS**

Re. 34,361	8/1993	Pratt	.....	D3/285
D. 315,827	4/1991	King	.....	D3/287
D. 322,357	12/1991	King	.....	D3/279
D. 339,685	9/1993	Perkins	.....	D3/279
D. 352,395	11/1994	King	.....	D3/279
1,047,343	12/1912	Vaughn	.	
2,347,192	4/1944	Grice	.....	190/19
3,186,529	1/1965	Gilbert	.....	190/51
3,858,693	1/1975	Dubenko	.....	190/16
4,118,048	10/1978	Spranger et al.	.....	190/18 A
4,126,213	11/1978	McDonald	.....	D3/279

The sample case is shown fragmentarily to indicate an indeterminate length.

**1 Claim, 3 Drawing Sheets**

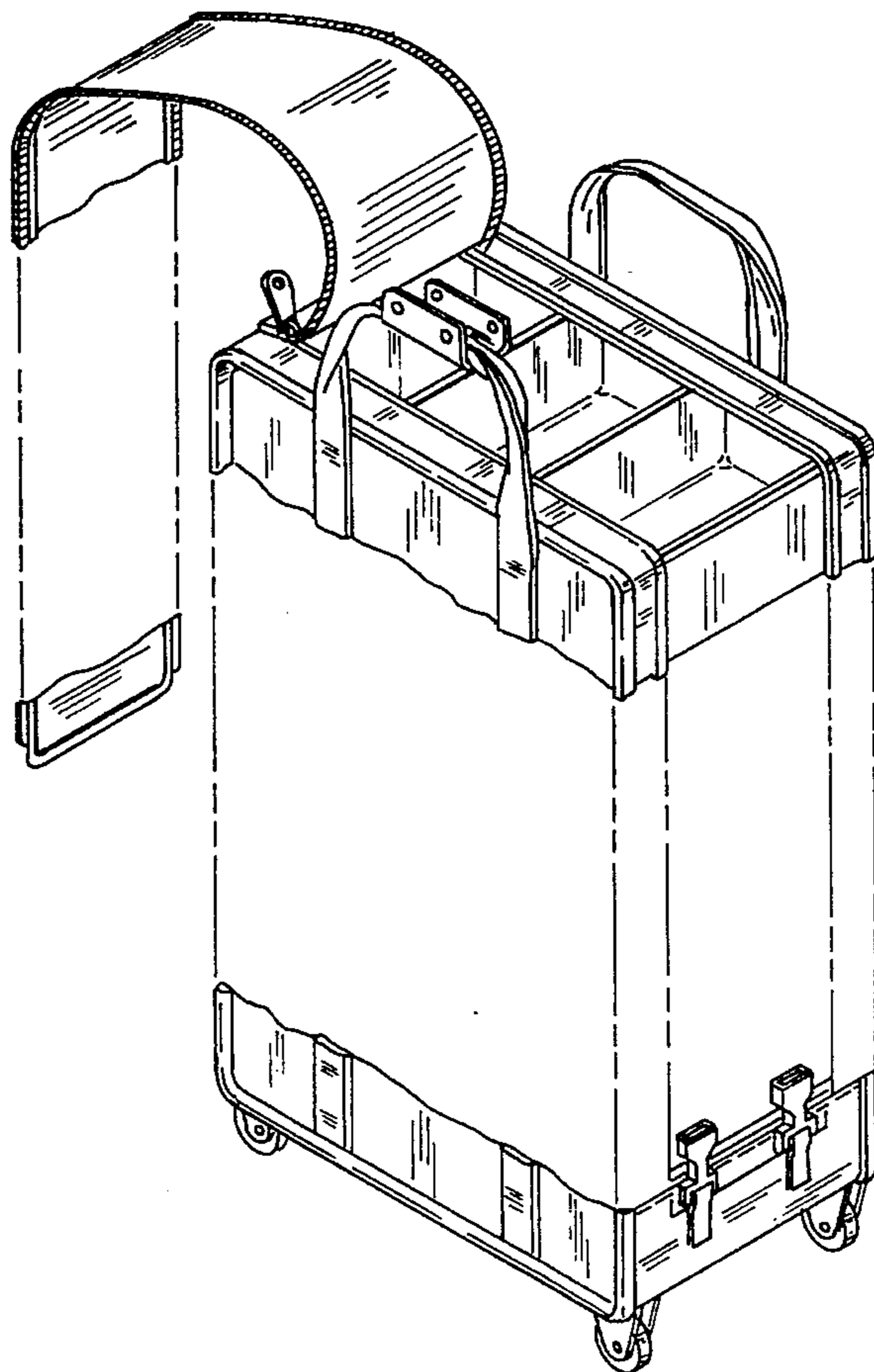


FIG. 1

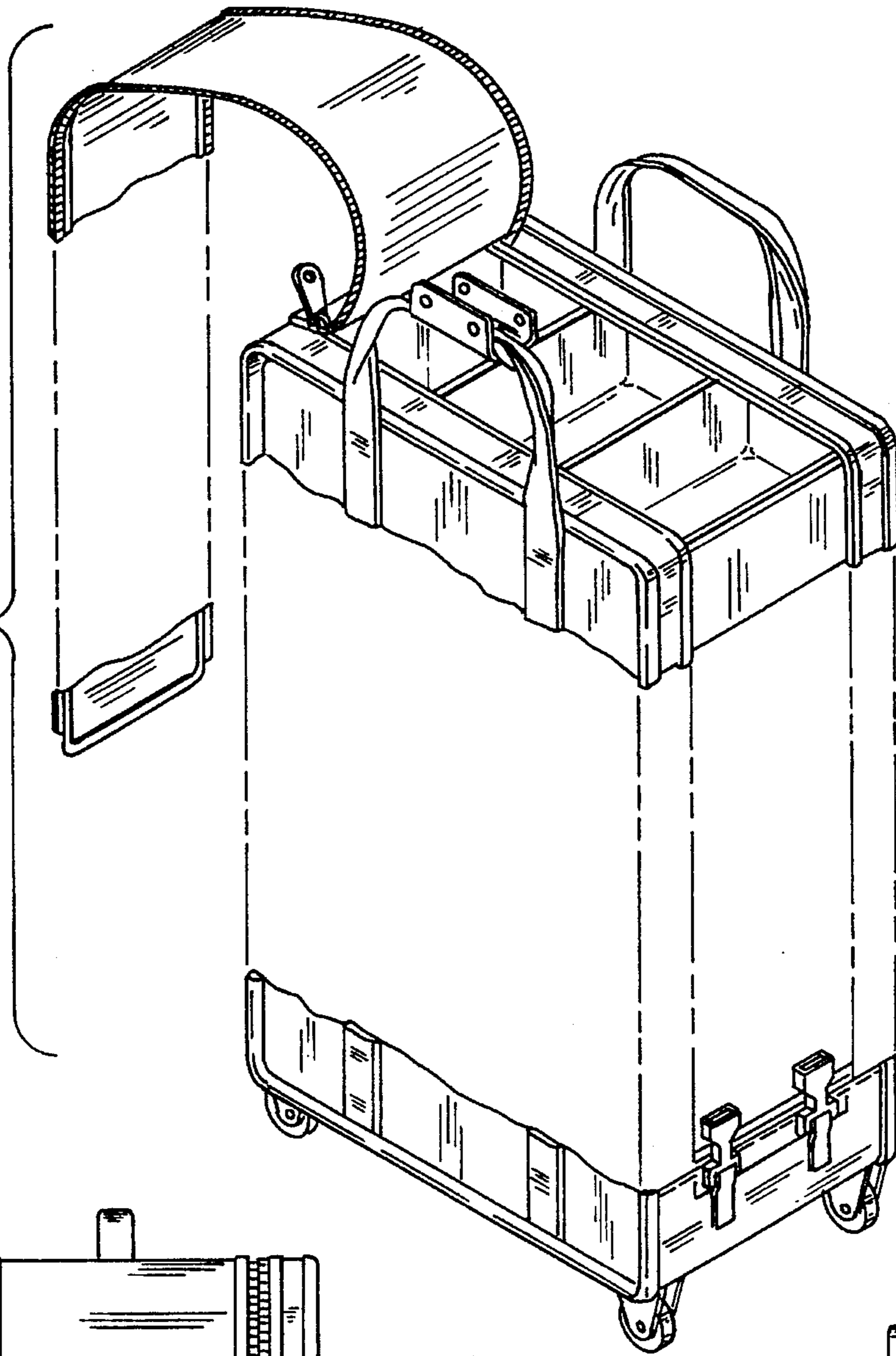


FIG. 2

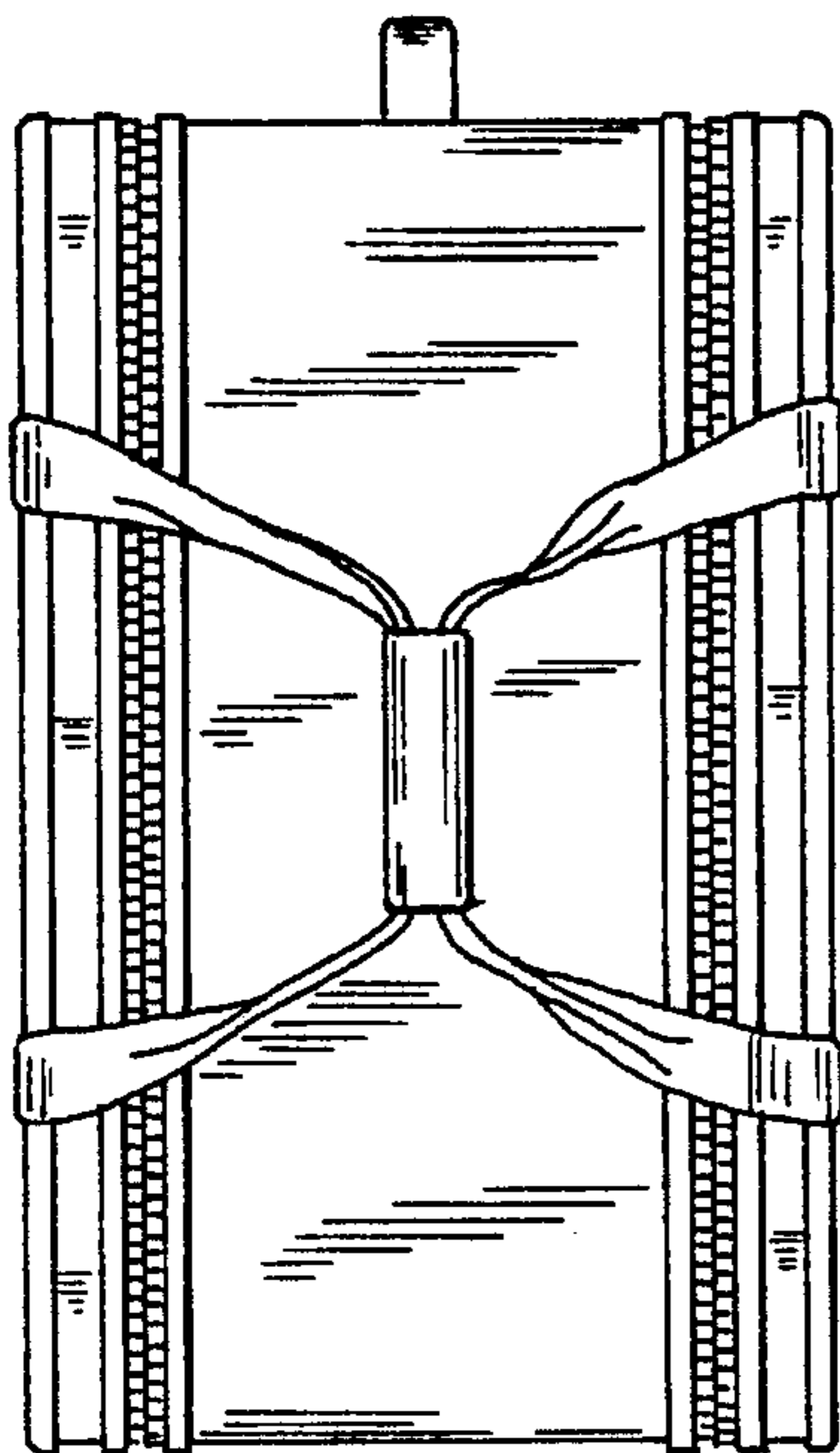
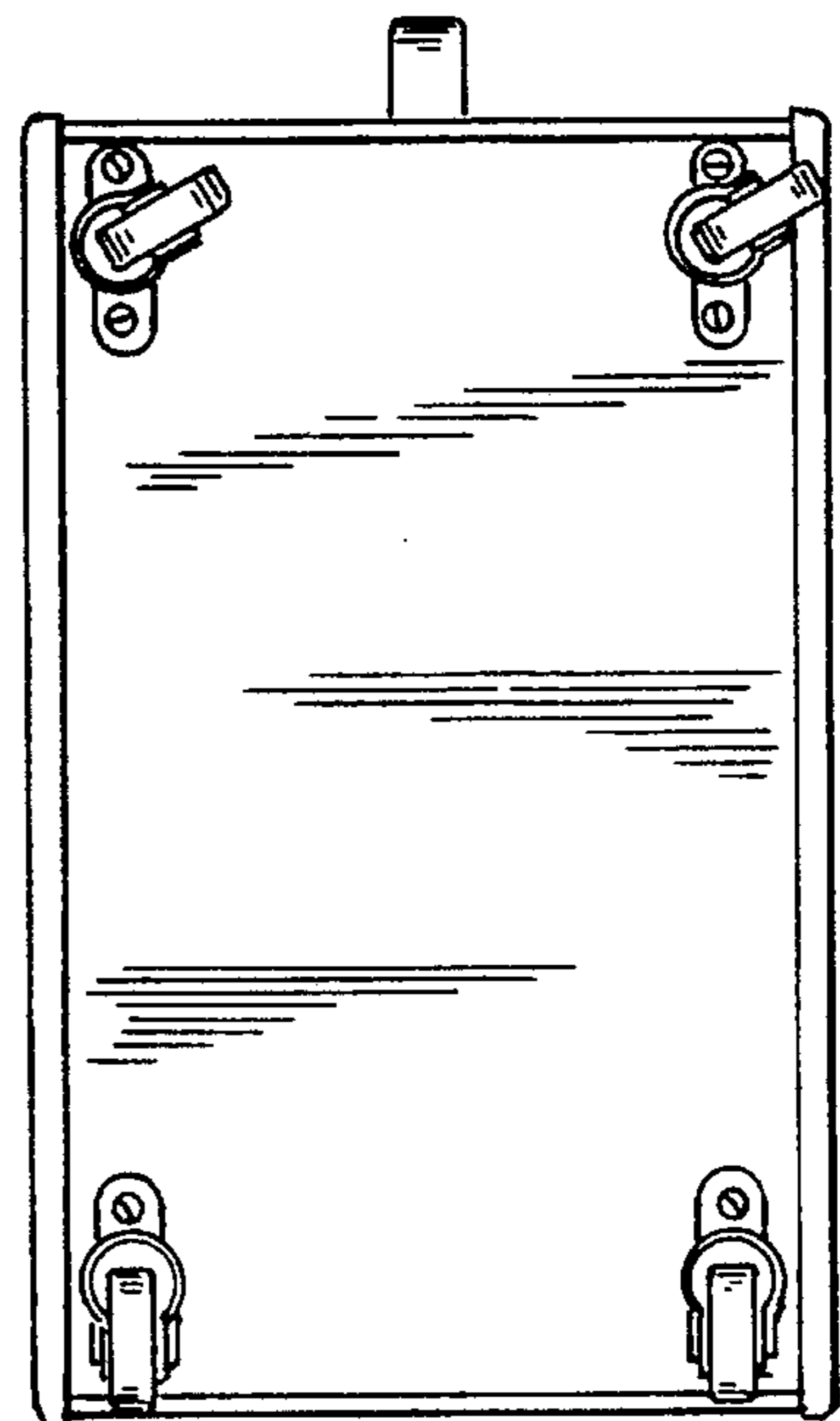


FIG. 3



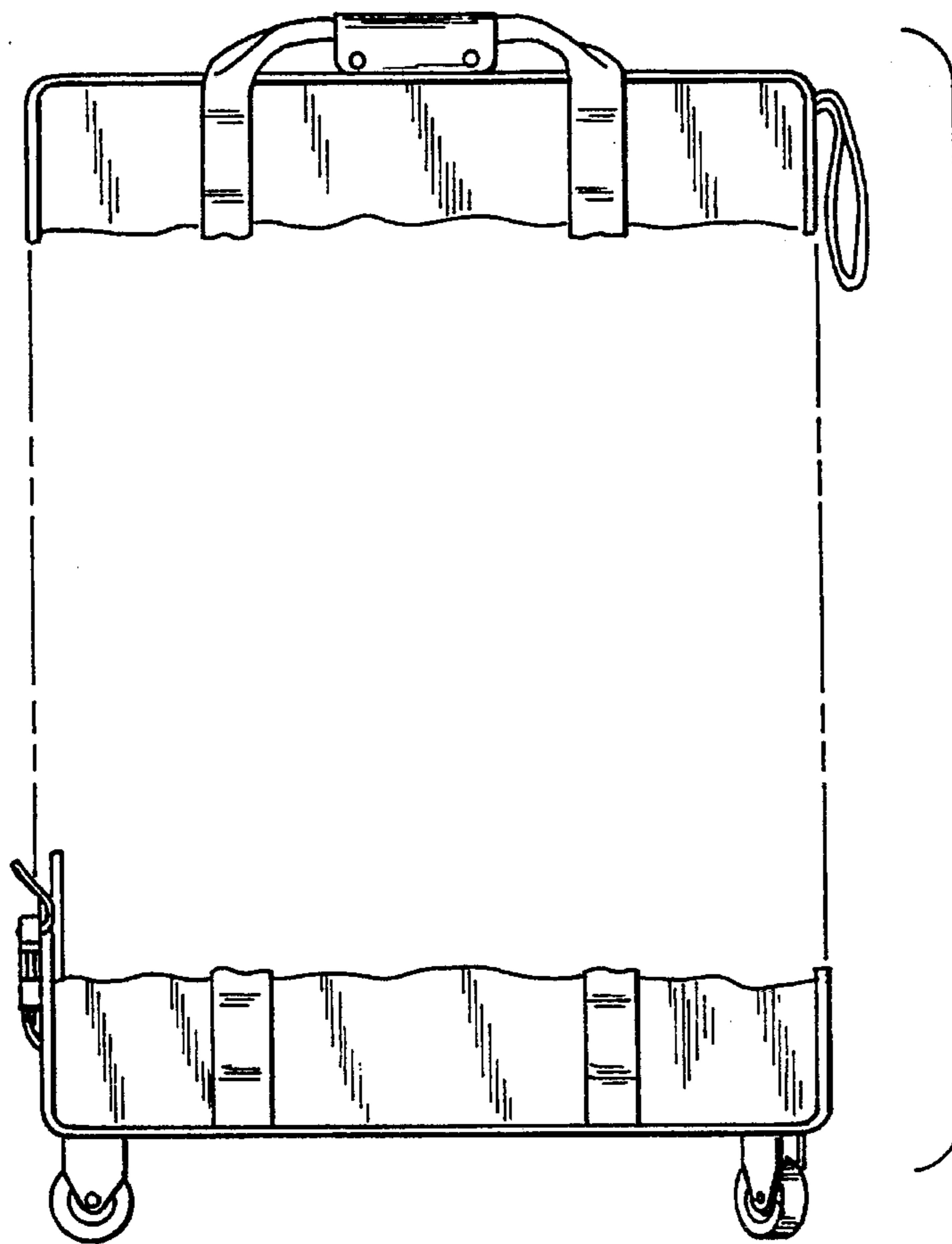


FIG. 4

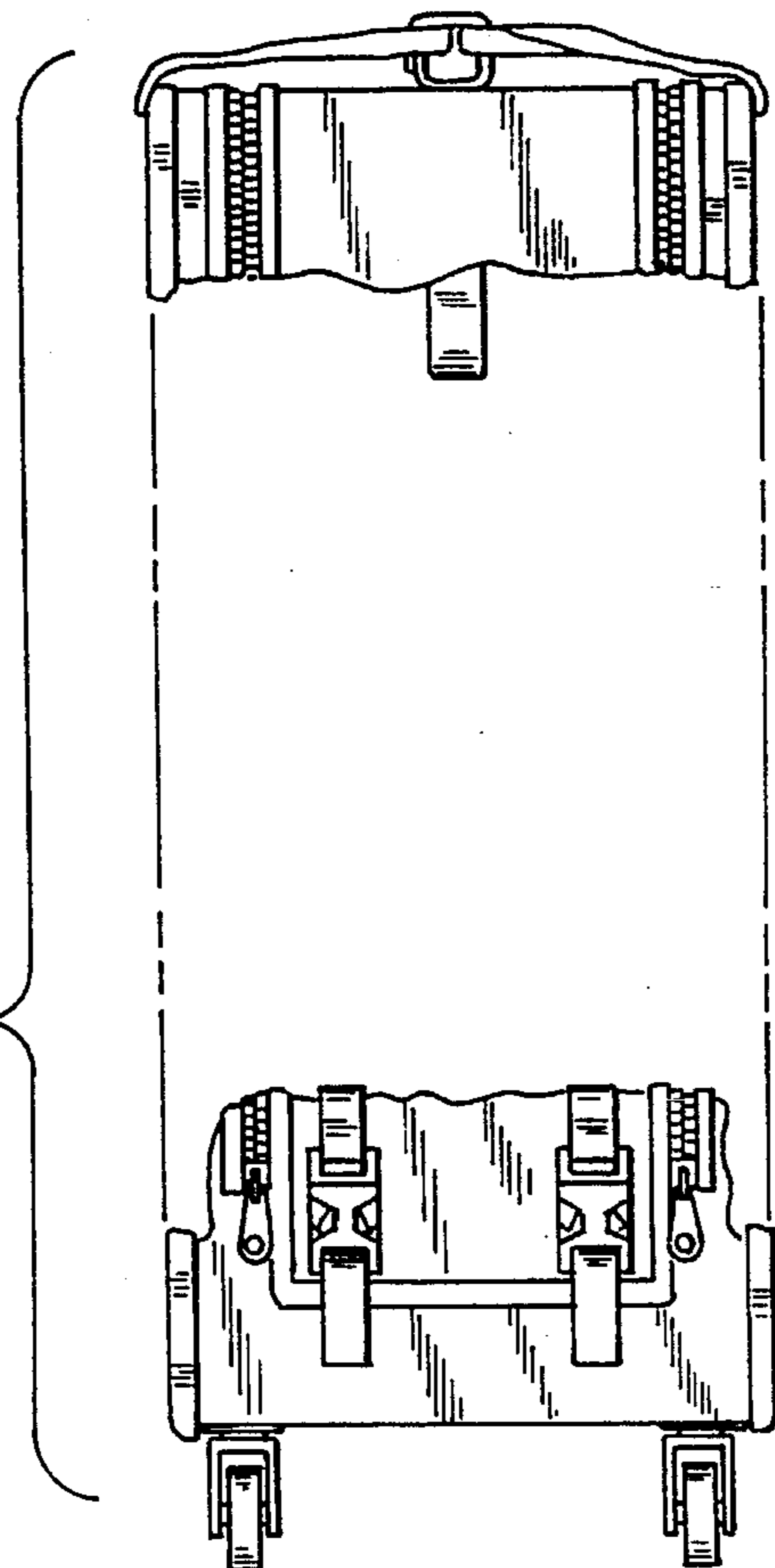
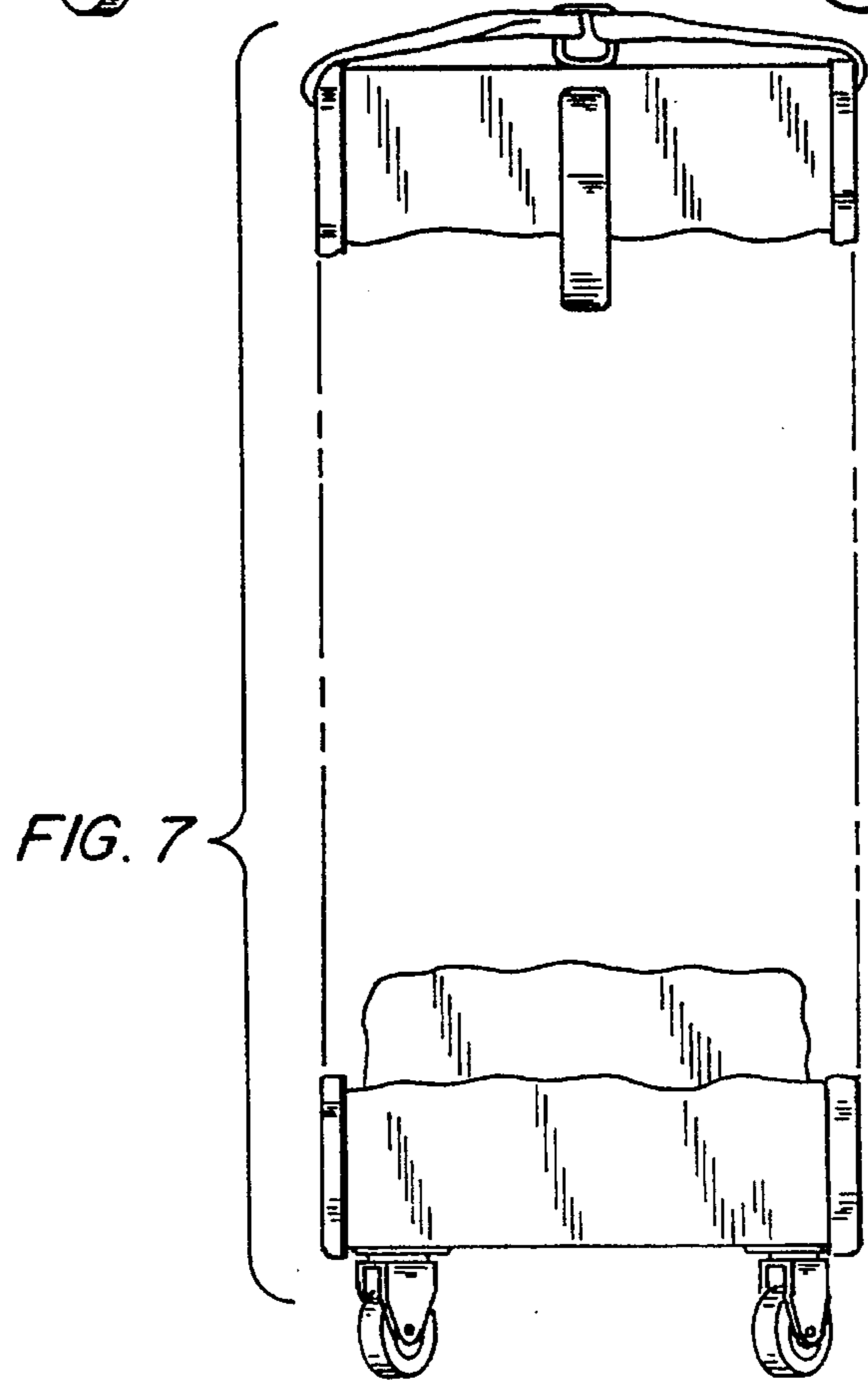
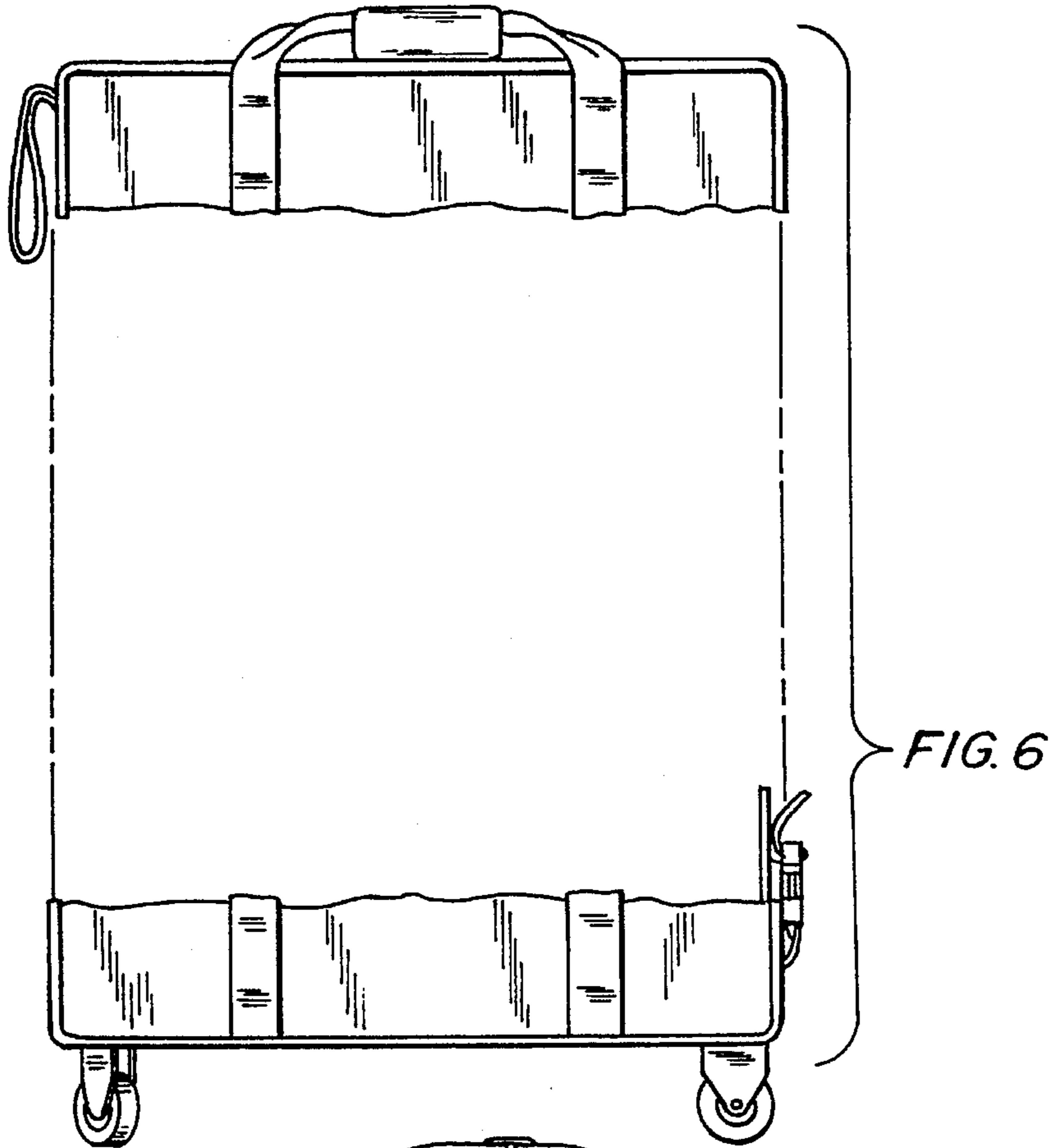


FIG. 5



UNITED STATES PATENT AND TRADEMARK OFFICE  
CERTIFICATE OF CORRECTION

PATENT NO. : Des. 375,628  
DATED : November 19, 1996  
INVENTOR(S) : Edward W. Williamson

It is certified that error appears in the above-identified patent and that said Letters Patent is hereby corrected as shown below:

On the cover page, item 73, Assignee: "Herkert & Meisel Trunk Co., St. Louis, Mich." should read - - Herkert & Meisel Trunk Co., St. Louis, Missouri - - .

Signed and Sealed this  
Twenty-eighth Day of January, 1997

Attest:



BRUCE LEHMAN

Attesting Officer

Commissioner of Patents and Trademarks