



US00D375621S

# United States Patent [19] Sudbrock

[11] Patent Number: **Des. 375,621**

[45] Date of Patent: **\*\*Nov. 19, 1996**

[54] SEWING CASE

[76] Inventor: **Linda M. Sudbrock**, 634 Perkins St.,  
Dexter, Iowa 50070

[\*\*] Term: **14 Years**

[21] Appl. No.: **45,535**

[22] Filed: **Oct. 23, 1995**

[52] U.S. Cl. .... **D3/20**

[58] Field of Search ..... D3/20, 22, 23,  
D3/25, 212, 900, 273, 274; D9/303, 304;  
190/100, 102, 109, 115; 223/107, 108;  
206/574, 575

[56] **References Cited**

**U.S. PATENT DOCUMENTS**

2,446,383	8/1948	Motz	.....	D3/23 X
2,555,781	6/1951	Bristol	.....	223/107 X
4,111,341	9/1978	Carrozo	.....	D3/20 X
5,234,108	8/1993	Jorgensen	.....	206/575

*Primary Examiner*—Louis S. Zarfes  
*Assistant Examiner*—Frank Martinez  
*Attorney, Agent, or Firm*—Harold H. Dutton, Jr.; W. Charles  
L. Jamison; Diane F. Liebman

[57] **CLAIM**

The ornamental design for a sewing case, as shown and described.

**DESCRIPTION**

FIG. 1 is a perspective view of a sewing case showing my new design, with the cover of a front tray shown exploded for clarity of illustration;  
FIG. 2 is a front view thereof;  
FIG. 3 is a rear view thereof;  
FIG. 4 is a right side view thereof; The left side is a mirror image of the right side;  
FIG. 5 is a top view thereof; and,  
FIG. 6 is a bottom view thereof.

**1 Claim, 3 Drawing Sheets**

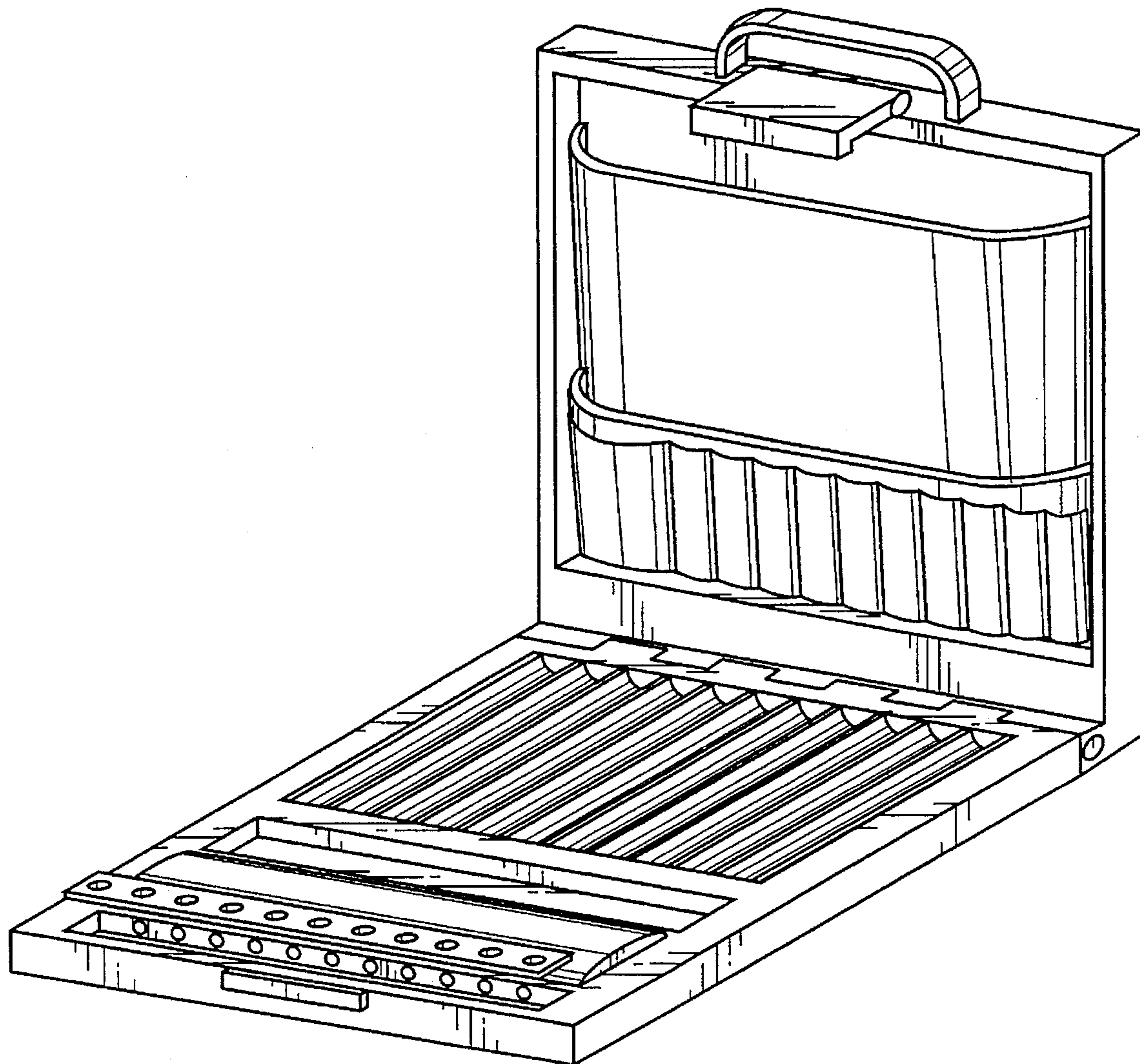
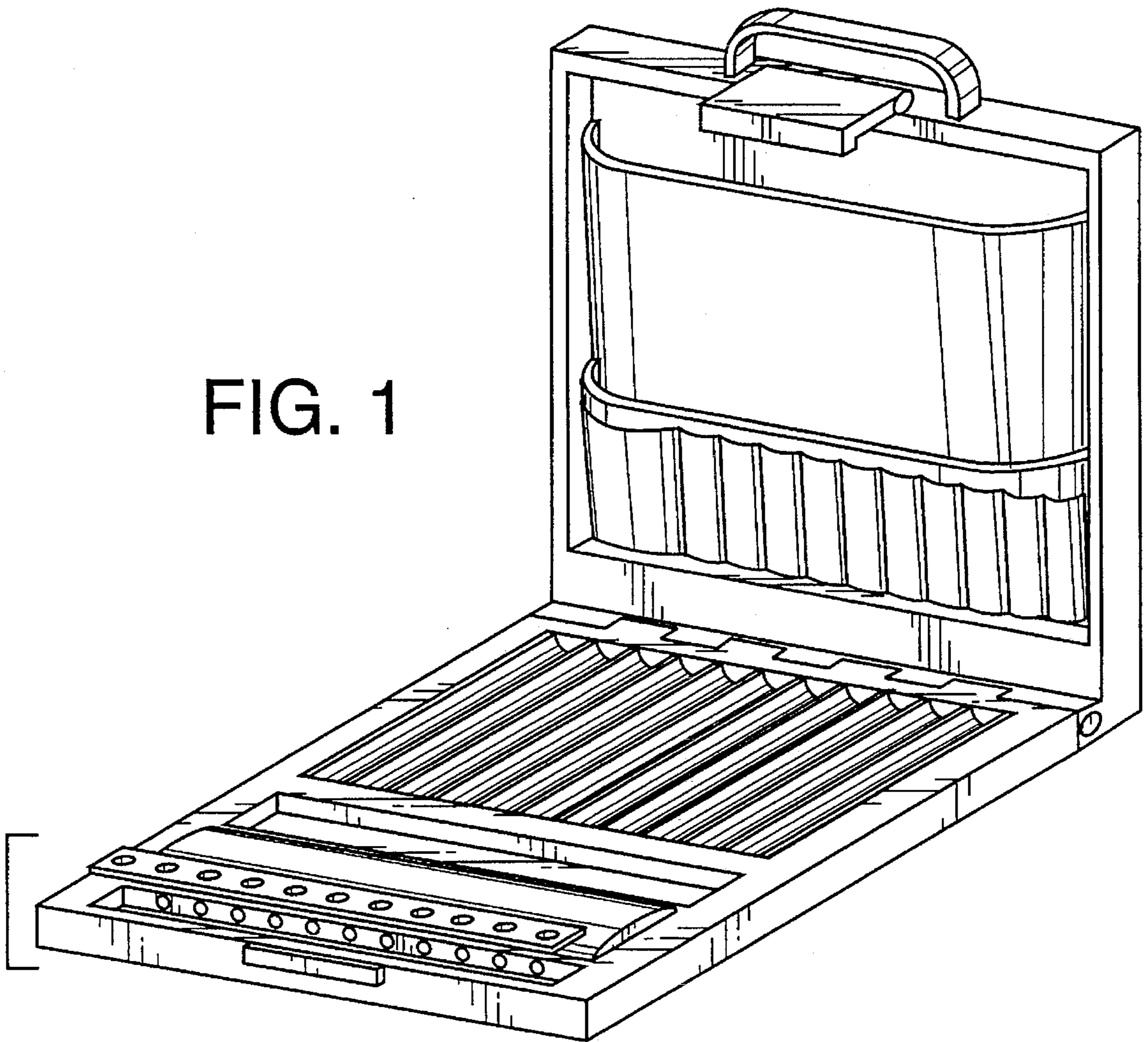


FIG. 1



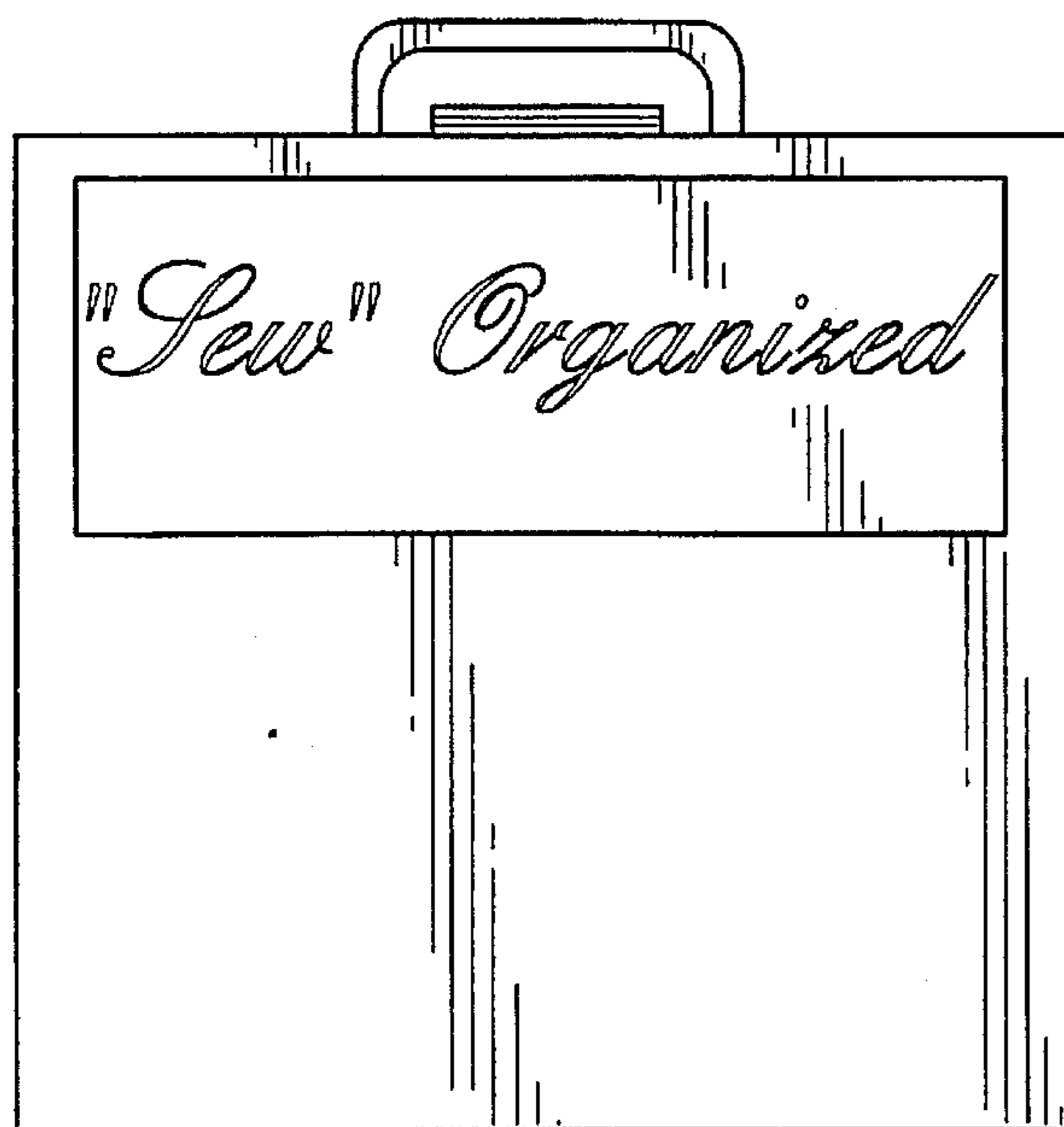


FIG. 2

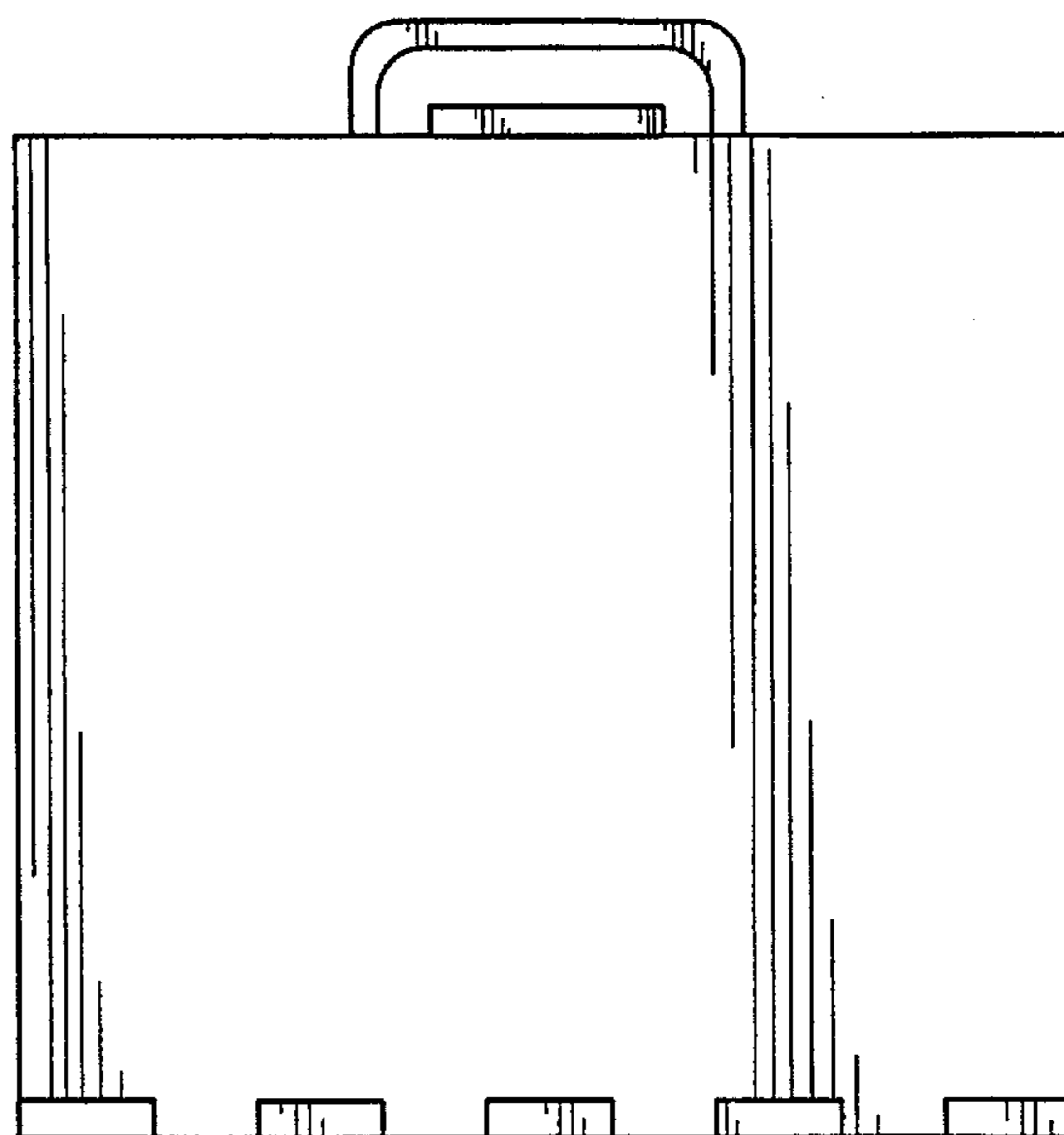


FIG. 3

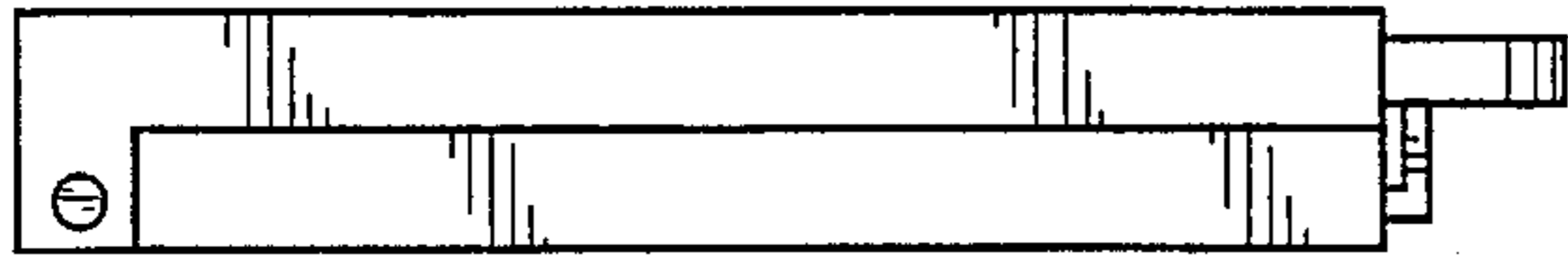


FIG. 4

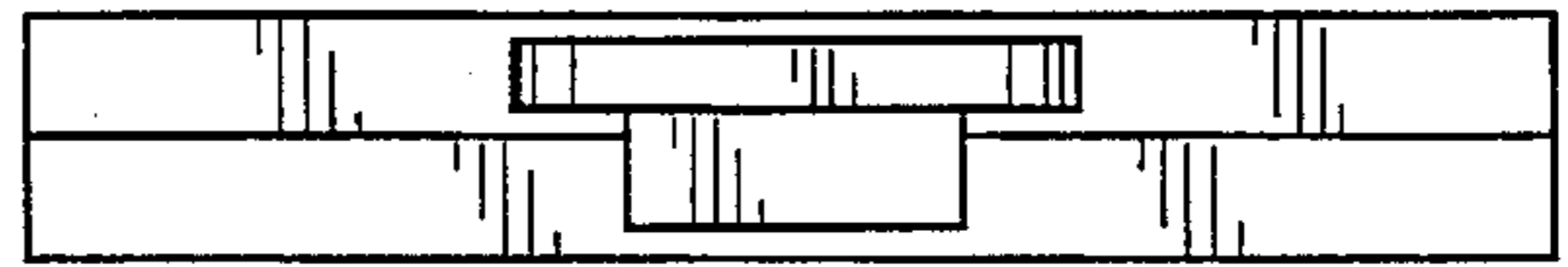


FIG. 5



FIG. 6