



US00D375620S

# United States Patent [19]

Chan

[11] Patent Number: Des. 375,620

[45] Date of Patent: \*\*Nov. 19, 1996

[54] SEWING KIT

[76] Inventor: Chiksum Chan, 37-39 Au Pui Wan Street, Fotan - Shatin - Kowloon, Hong Kong, Hong Kong

[\*\*] Term: 14 Years

[21] Appl. No.: 39,473

[22] Filed: May 18, 1995

### Related U.S. Application Data

[63] Continuation-in-part of Ser. No. 19,541, Mar. 4, 1994, abandoned.

[52] U.S. Cl. .... D3/20

[58] Field of Search ..... D3/20, 206, 292, D3/23, 25; D9/303, 426, 423; 223/107, 106; 206/380, 574, 581, 363, 364, 365; D28/77, 83; D24/131, 126

### References Cited

#### U.S. PATENT DOCUMENTS

- D. 189,777 2/1961 Traum ..... D3/25
- D. 255,038 5/1980 Itakura ..... D9/423 X
- D. 262,579 1/1982 de Haseth ..... D28/83
- D. 281,024 10/1985 Rittenhouse et al. .... D28/83 X
- D. 311,812 11/1990 Lord .
- D. 322,891 1/1992 Samuelson et al. .... D3/206
- D. 331,316 12/1992 Lord .

- 1,954,617 4/1934 Collingbourne .
- 2,187,445 1/1940 Botelho ..... 206/581 X
- 2,827,247 3/1956 Kraemer .
- 4,111,341 9/1978 Carrozo ..... 206/574 X
- 5,161,556 11/1992 Audebourg et al. .... 206/581 X

Primary Examiner—Louis S. Zarfes  
Assistant Examiner—Frank Martinez  
Attorney, Agent, or Firm—Zarley, McKee, Thomte, Voorhees & Sease

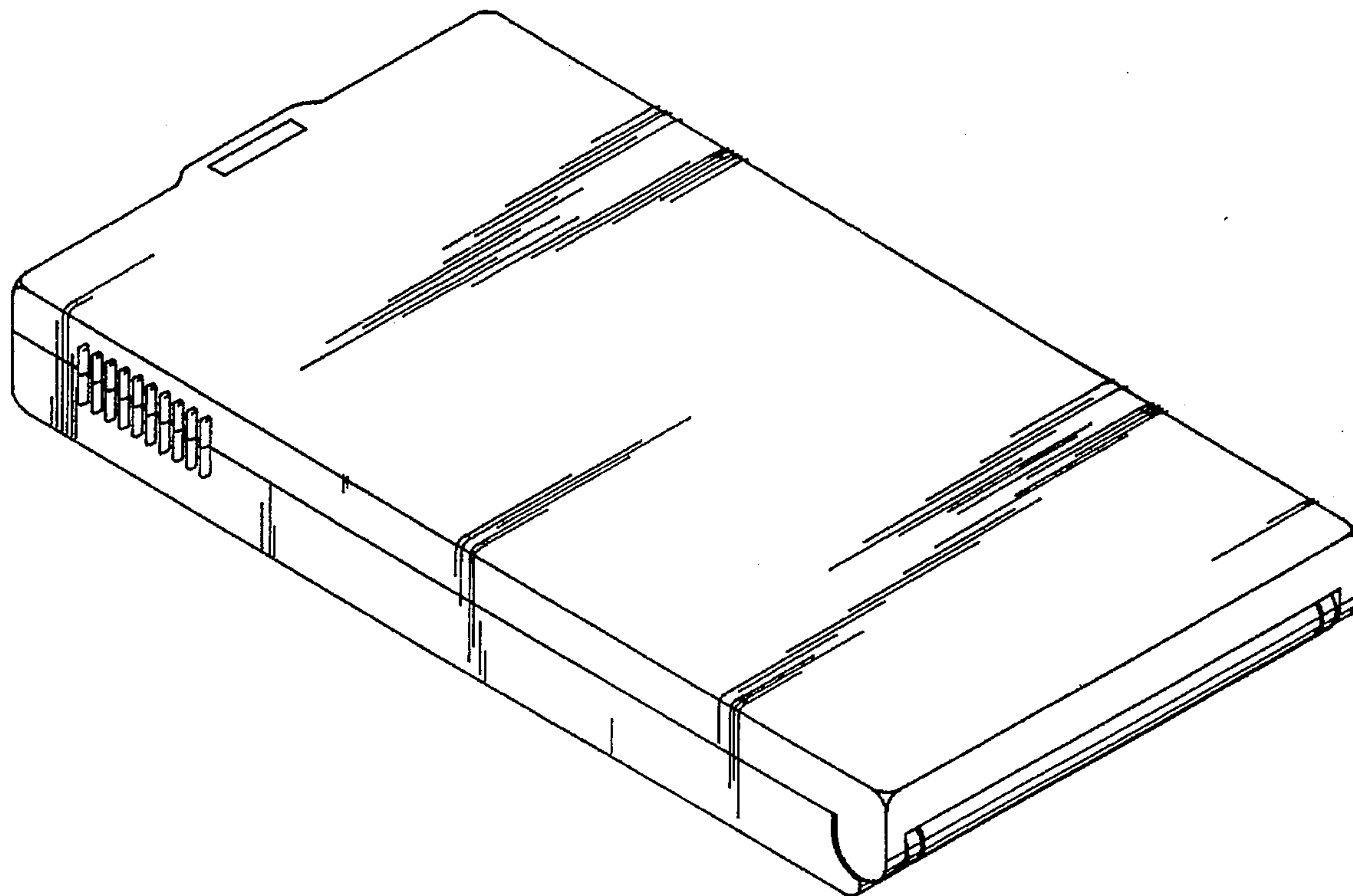
### [57] CLAIM

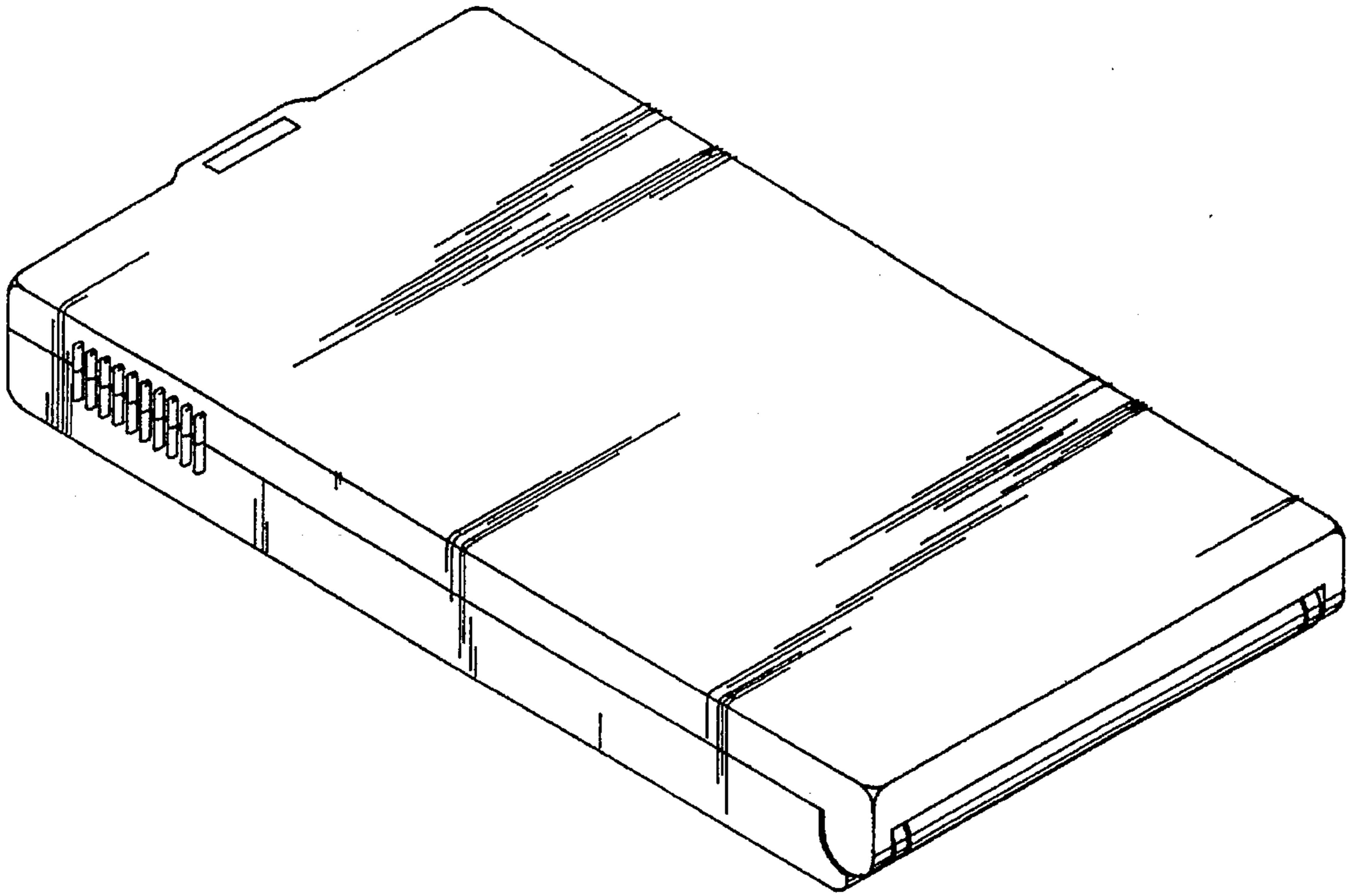
The ornamental design for a sewing kit, as shown and described.

### DESCRIPTION

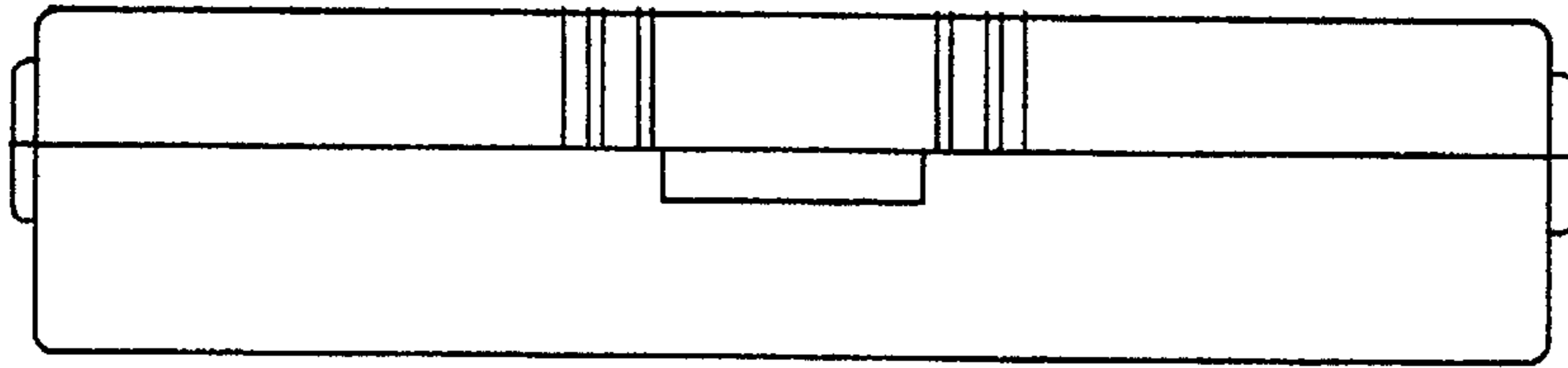
FIG. 1 is a perspective view of a sewing kit showing my new design;  
 FIG. 2 is a top plan view thereof;  
 FIG. 3 is a bottom plan view thereof;  
 FIG. 4 is a side elevation thereof as viewed from the bottom of FIG. 2;  
 FIG. 5 is a side plan view thereof as viewed from the top of FIG. 2;  
 FIG. 6 is an enlarged scale end view thereof as seen from the right-hand end of FIG. 3; and,  
 FIG. 7 is an enlarged scale end view thereof as seen from the left-hand end of FIG. 3.

1 Claim, 2 Drawing Sheets

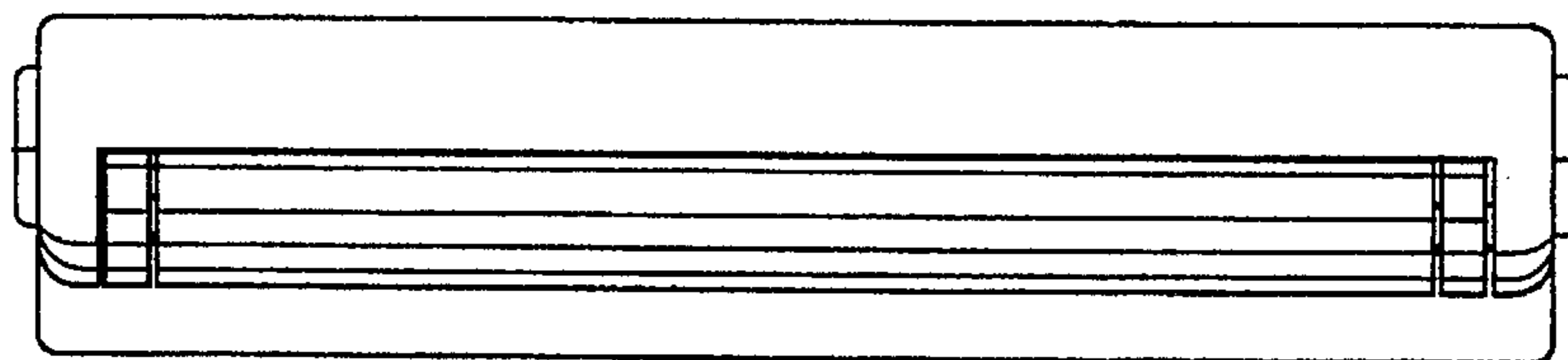




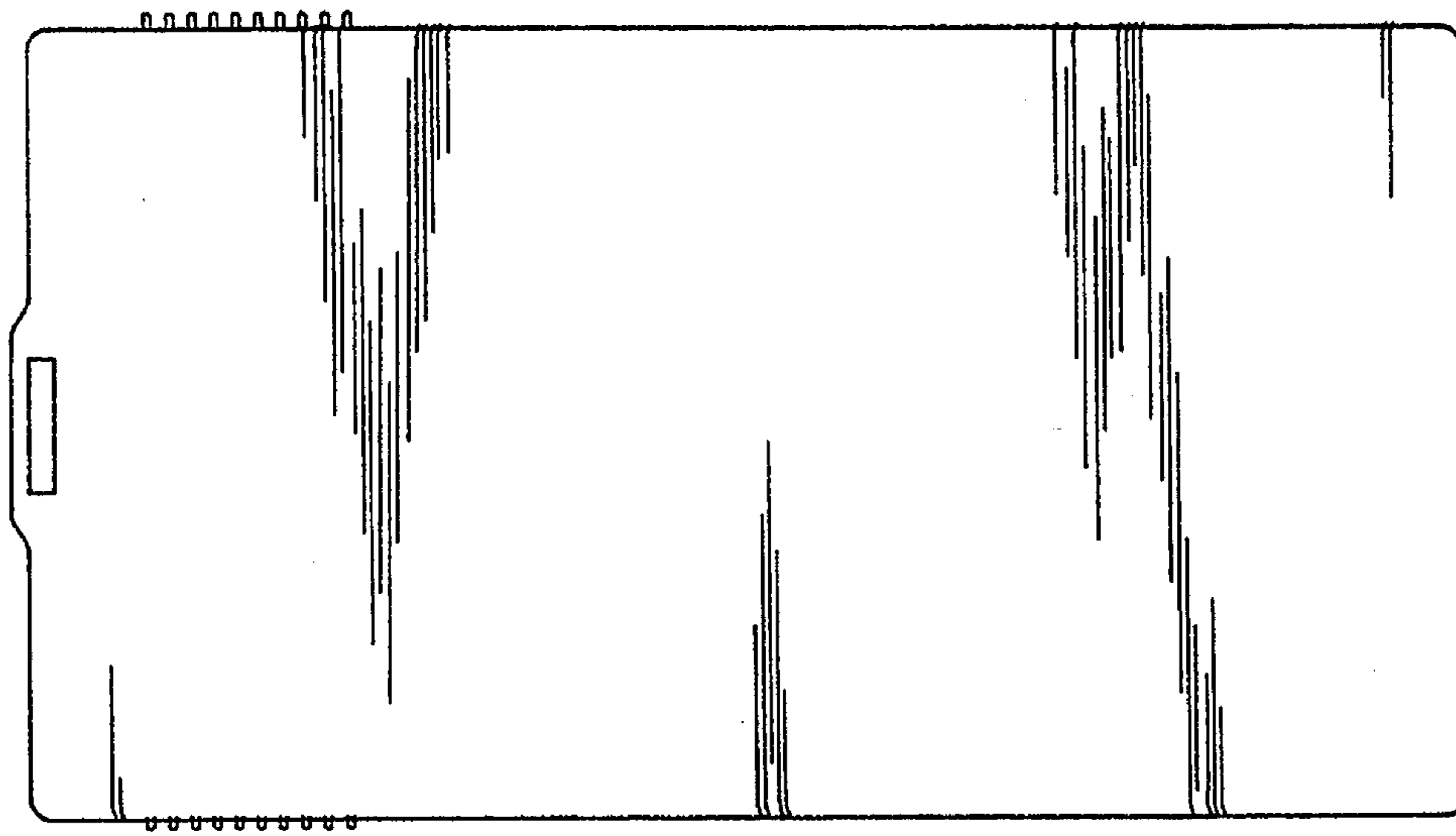
*Fig. 1*



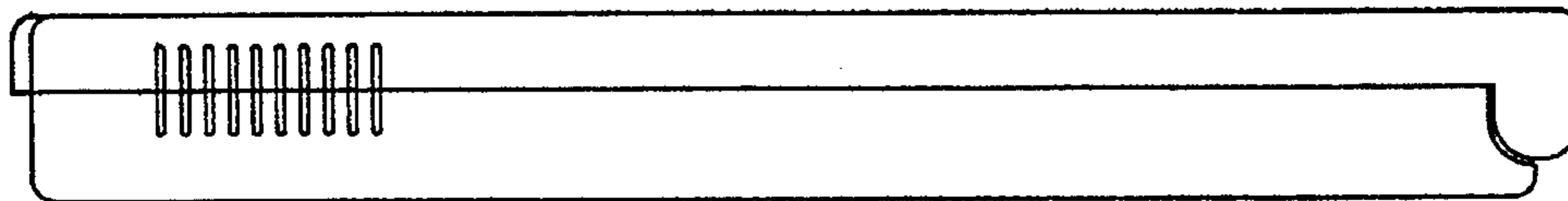
*Fig. 6*



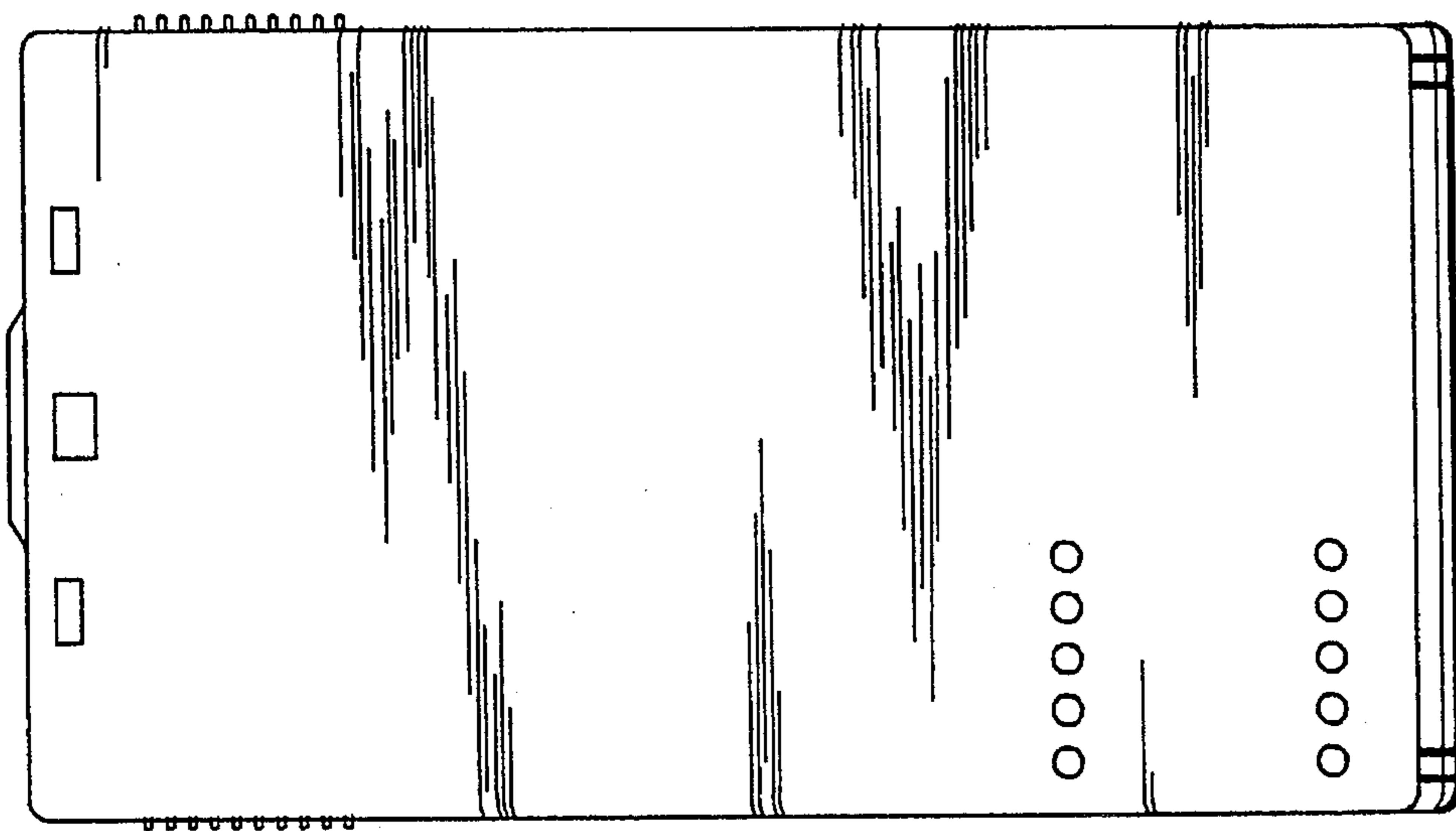
*Fig. 7*



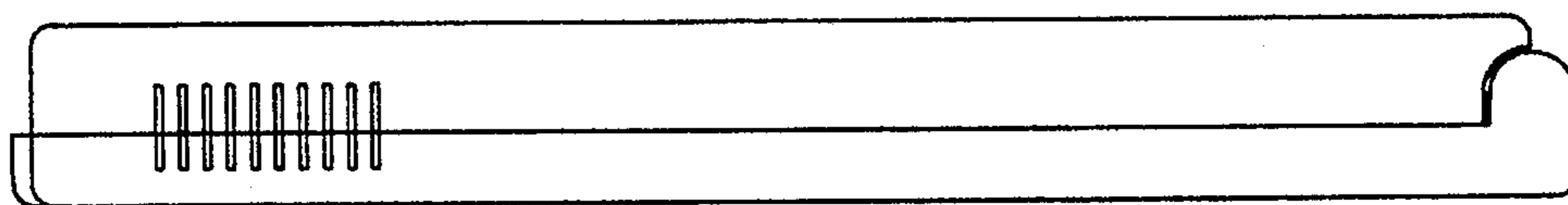
*Fig. 2*



*Fig. 4*



*Fig. 3*



*Fig. 5*