



US00D375616S

United States Patent [19]

Baker et al.

[11] Patent Number: **Des. 375,616**

[45] Date of Patent: ****Nov. 19, 1996**

[54] FOOTWEAR TREAD

[75] Inventors: **Douglas W. Baker**, Cincinnati; **Freddie L. James**, Loveland; **Donna J. Nordeman**, Cincinnati, all of Ohio

[73] Assignee: **'totes', incorporated**, Loveland, Ohio

[**] Term: **14 Years**

[21] Appl. No.: **50,573**

[22] Filed: **Jan. 29, 1996**

[52] U.S. Cl. **D2/960; D2/953**

[58] Field of Search D2/897, 902, 906, D2/908, 946-960, 962, 964; 36/101, 103, 104, 106, 113-115, 124, 126, 127-130, 3 B, 12-15, 22 R, 25 R, 32 R, 32 A, 172

[56] References Cited

U.S. PATENT DOCUMENTS

D. 163,956	7/1951	Capdevila	D2/960
D. 190,162	4/1961	Hubbard	D2/960
D. 192,957	6/1962	Messinger	D2/952
D. 266,797	11/1982	Lucarelli et al.	D2/960
D. 267,675	1/1983	Allen .	
D. 267,676	1/1983	Allen .	
D. 276,569	12/1984	Kohn	D2/908

D. 308,594	6/1990	Brinker .	
D. 308,747	6/1990	Brinker .	
D. 308,749	6/1990	Brinker .	
D. 308,905	7/1990	Brinker .	
D. 308,907	7/1990	Brinker .	
D. 316,476	4/1991	Brinker .	
D. 322,881	1/1992	Bushman .	
D. 323,928	2/1992	Claveria	D2/949
D. 339,463	9/1993	Dyer et al.	D2/960
2,155,166	4/1939	Kraft	36/32 R

Primary Examiner—Celia Murphy
Attorney, Agent, or Firm—Wood, Herron & Evans, P.L.L.

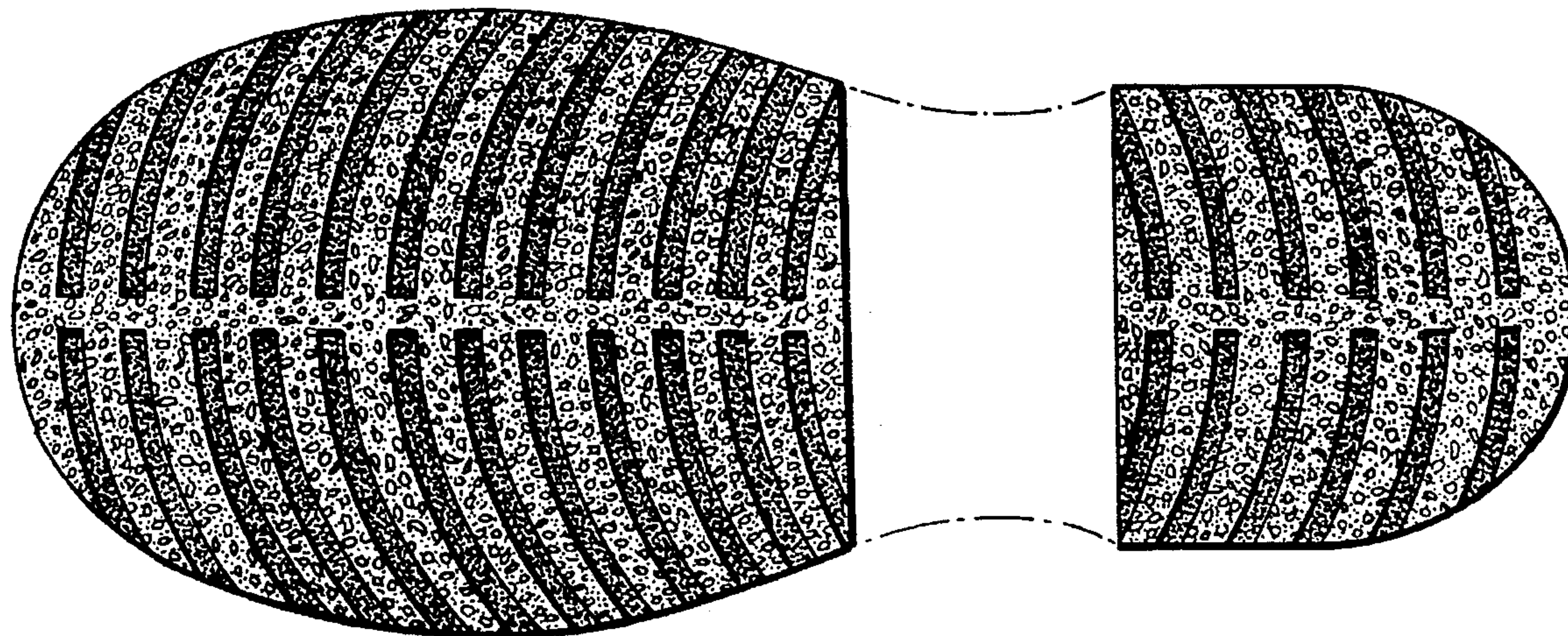
[57] CLAIM

The ornamental design for a footwear tread, as shown and described.

DESCRIPTION

FIG. 1 is a perspective view of a footwear tread design showing my new design on an overshoe;
FIG. 2 is a bottom plan view of the tread design;
FIG. 3 is a side view of one side of the tread design, the other side being a mirror image thereof;
FIG. 4 is an end view of the toe end of the tread design; and,
FIG. 5 is an end view of the heel end of the tread design.

1 Claim, 1 Drawing Sheet



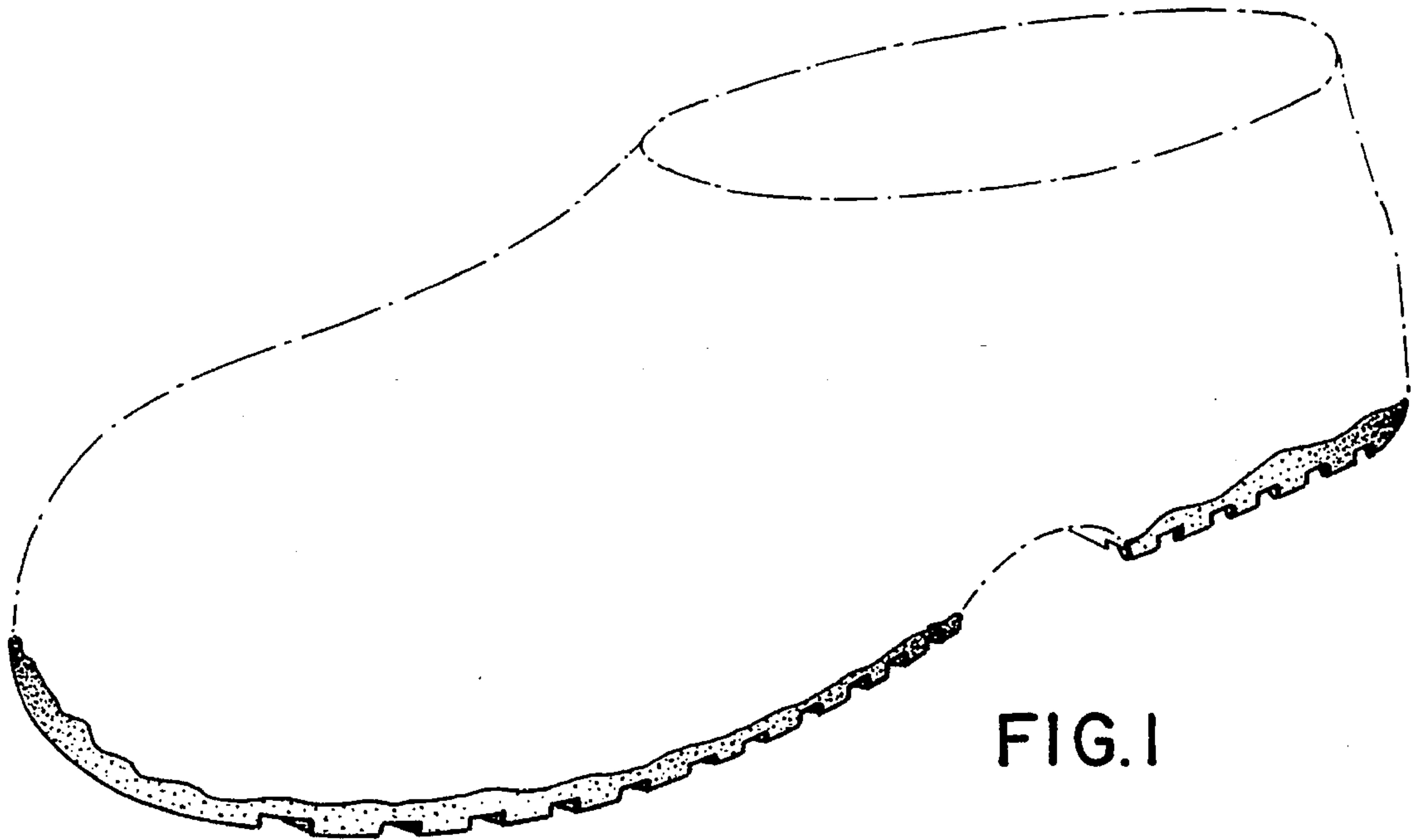


FIG. 1

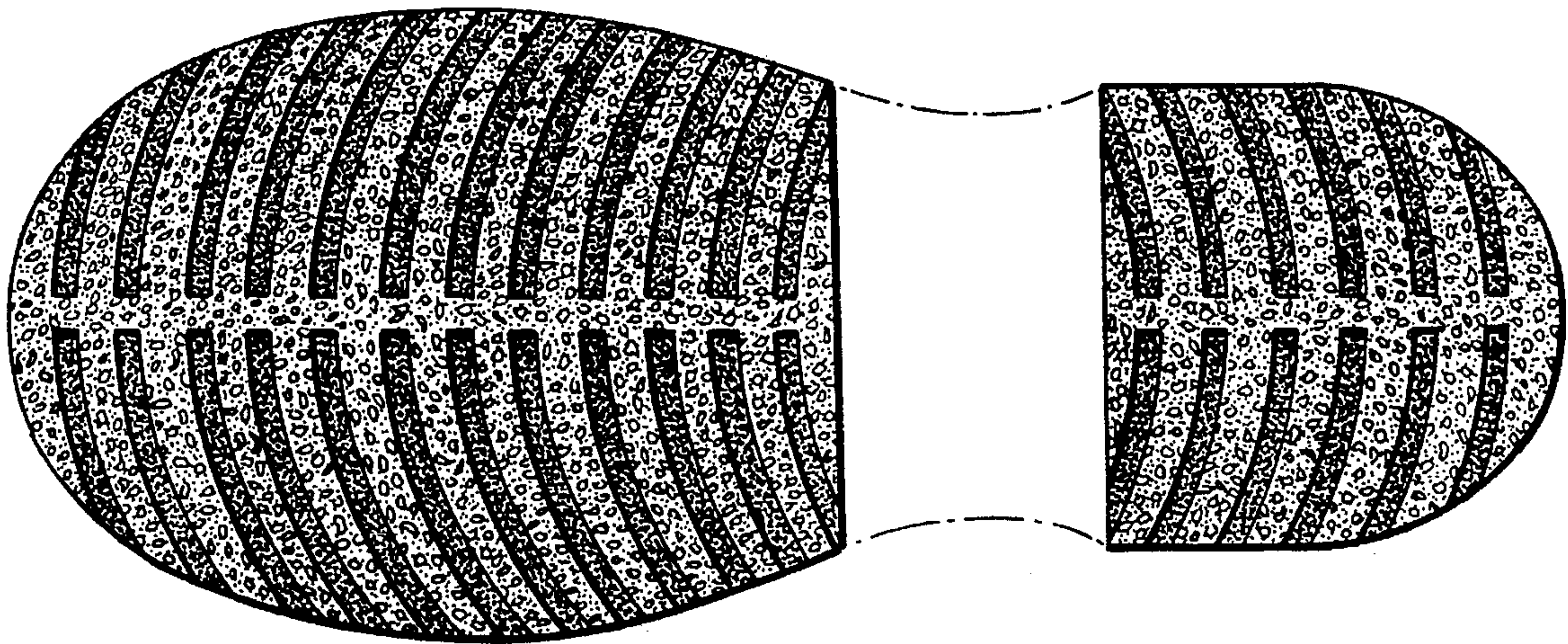


FIG. 2

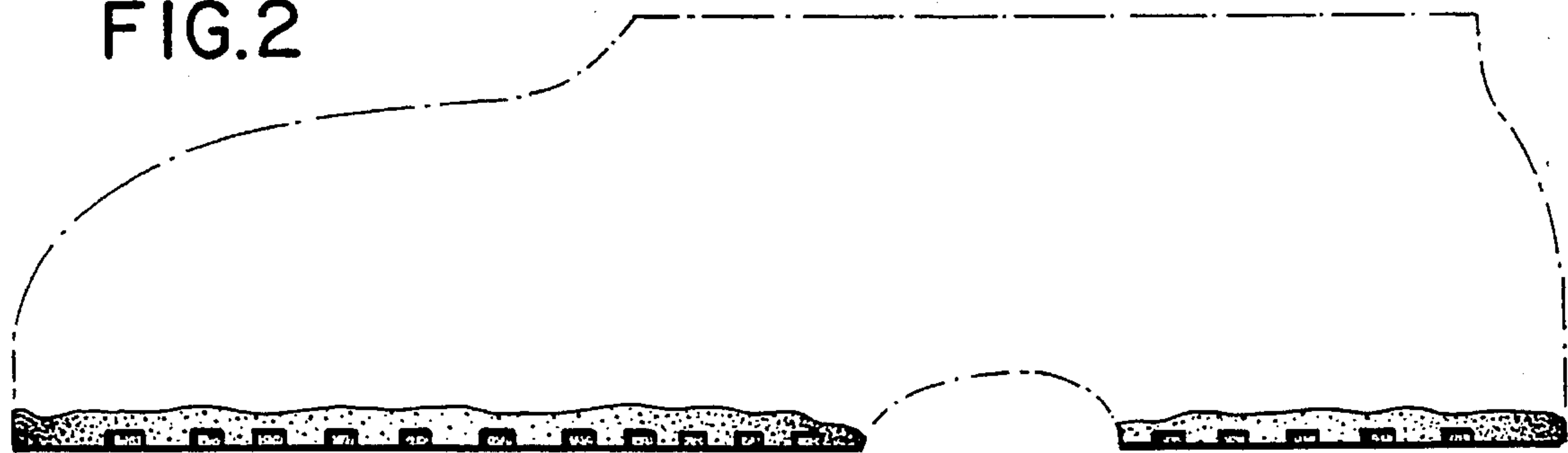


FIG. 3



FIG. 4



FIG. 5