



US00D375613S

**United States Patent** [19]  
**Humphrey**

[11] **Patent Number: Des. 375,613**

[45] **Date of Patent: \*\*Nov. 19, 1996**

[54] **SLIPPER**

[76] Inventor: **Kevin Humphrey**, 115 Hunt Ave.,  
Evanston, Wyo. 82930

[\*\*] Term: **14 Years**

[21] Appl. No.: **43,096**

[22] Filed: **Aug. 25, 1995**

[52] U.S. Cl. .... **D2/897; D2/898**

[58] Field of Search ..... **D2/897, 898; 36/10**

[56] **References Cited**

**U.S. PATENT DOCUMENTS**

D. 158,520	5/1950	Scoville, Jr.	.....	D2/898
D. 165,014	10/1951	Leslie	.....	D2/898
D. 240,974	8/1976	Tesky	.....	D2/898
D. 307,507	5/1990	Del Vecchio, Jr. et al.	.....	D2/898
D. 343,948	2/1994	Smith	.....	D2/898 X

D. 352,380	11/1994	Oehring et al.	.....	D2/898
D. 353,706	12/1994	Tilles	.....	D2/898
D. 356,434	3/1995	Englehart et al.	.....	D2/898

*Primary Examiner*—Dominic Simone  
*Attorney, Agent, or Firm*—Harold H. Dutton, Jr.; W. Charles  
L. Jamison; Diane S. Liebman

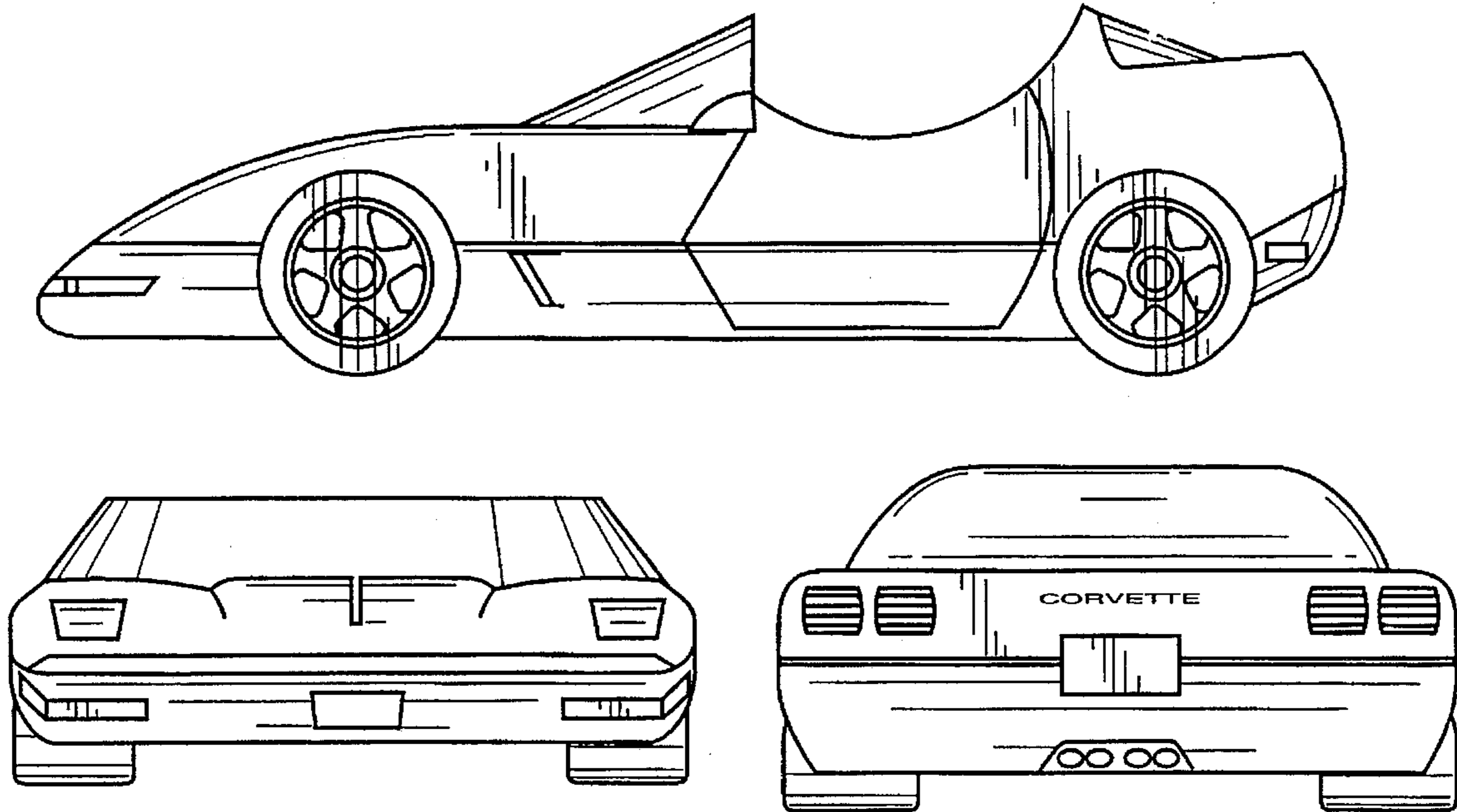
[57] **CLAIM**

The ornamental design for a slipper, as shown.

**DESCRIPTION**

FIG. 1 is a perspective view of a slipper showing my new design;  
FIG. 2 is a front view thereof;  
FIG. 3 is a rear view thereof;  
FIG. 4 is a bottom view thereof; and,  
FIG. 5 is a top view thereof.

**1 Claim, 2 Drawing Sheets**



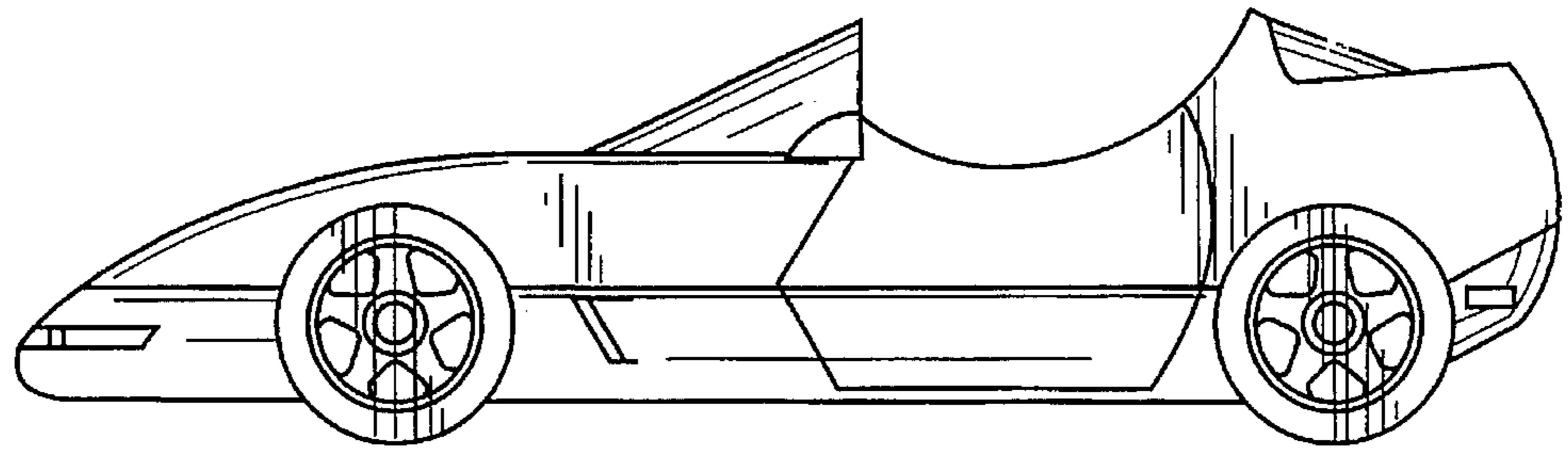


FIG. 1

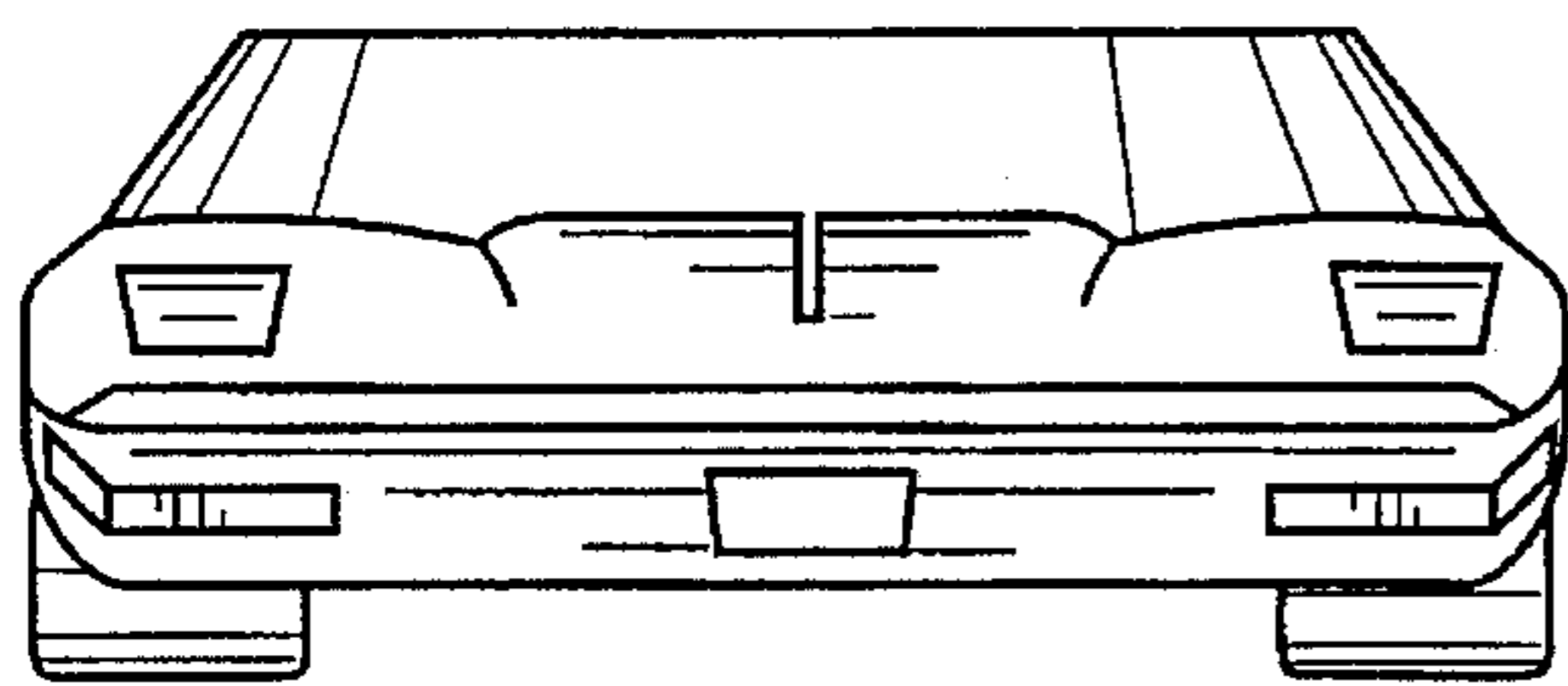


FIG. 2

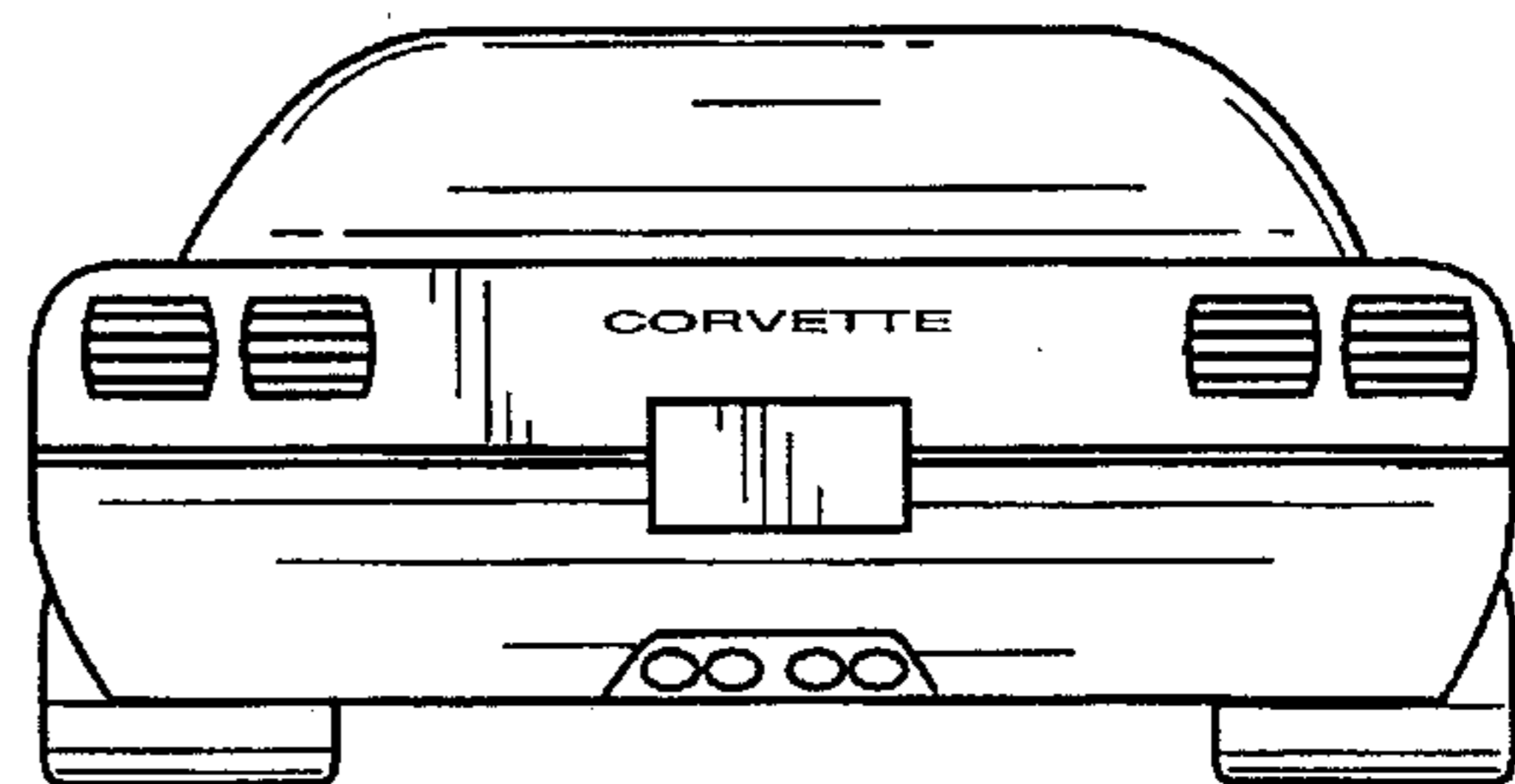


FIG. 3

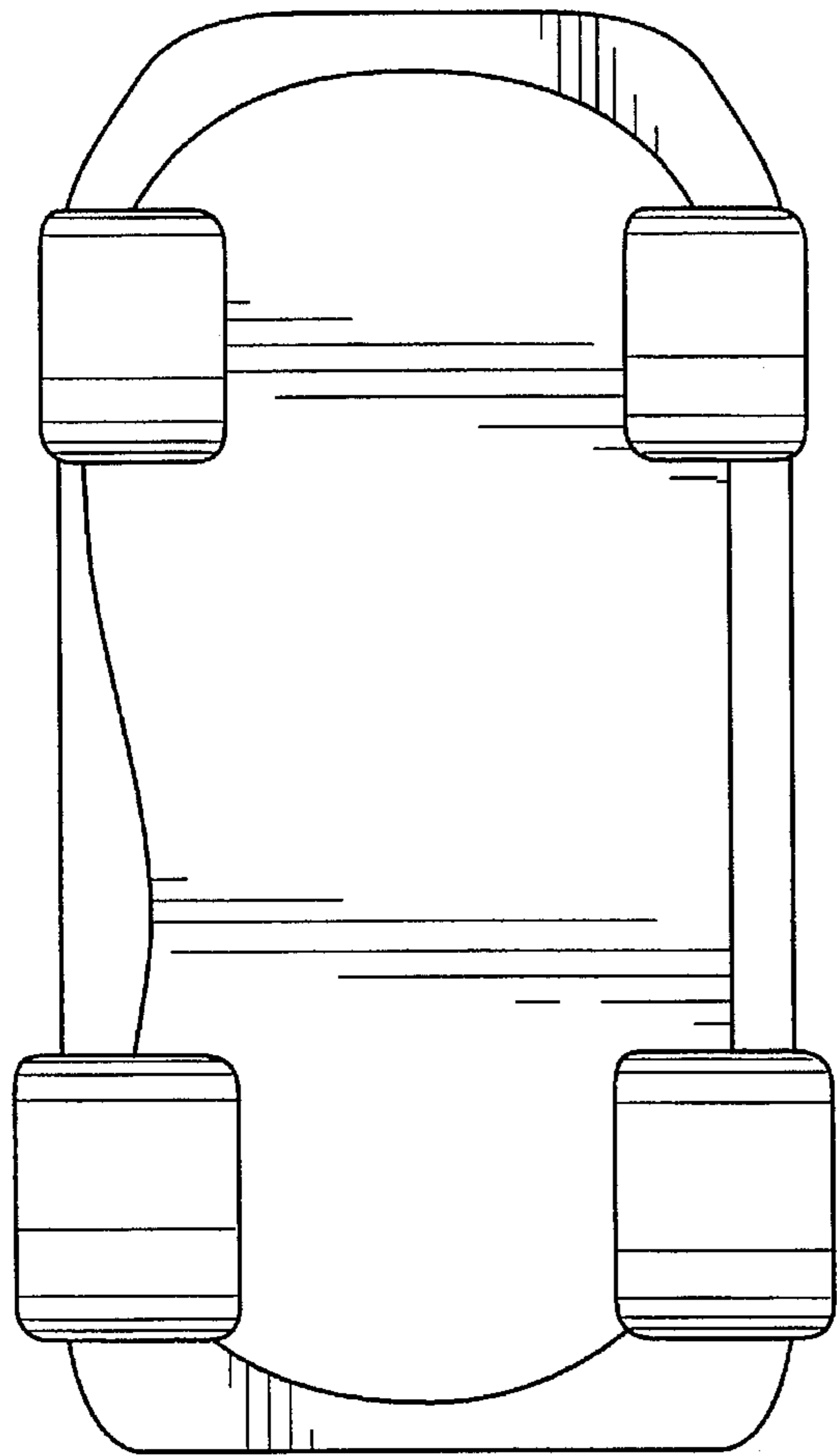


FIG. 4

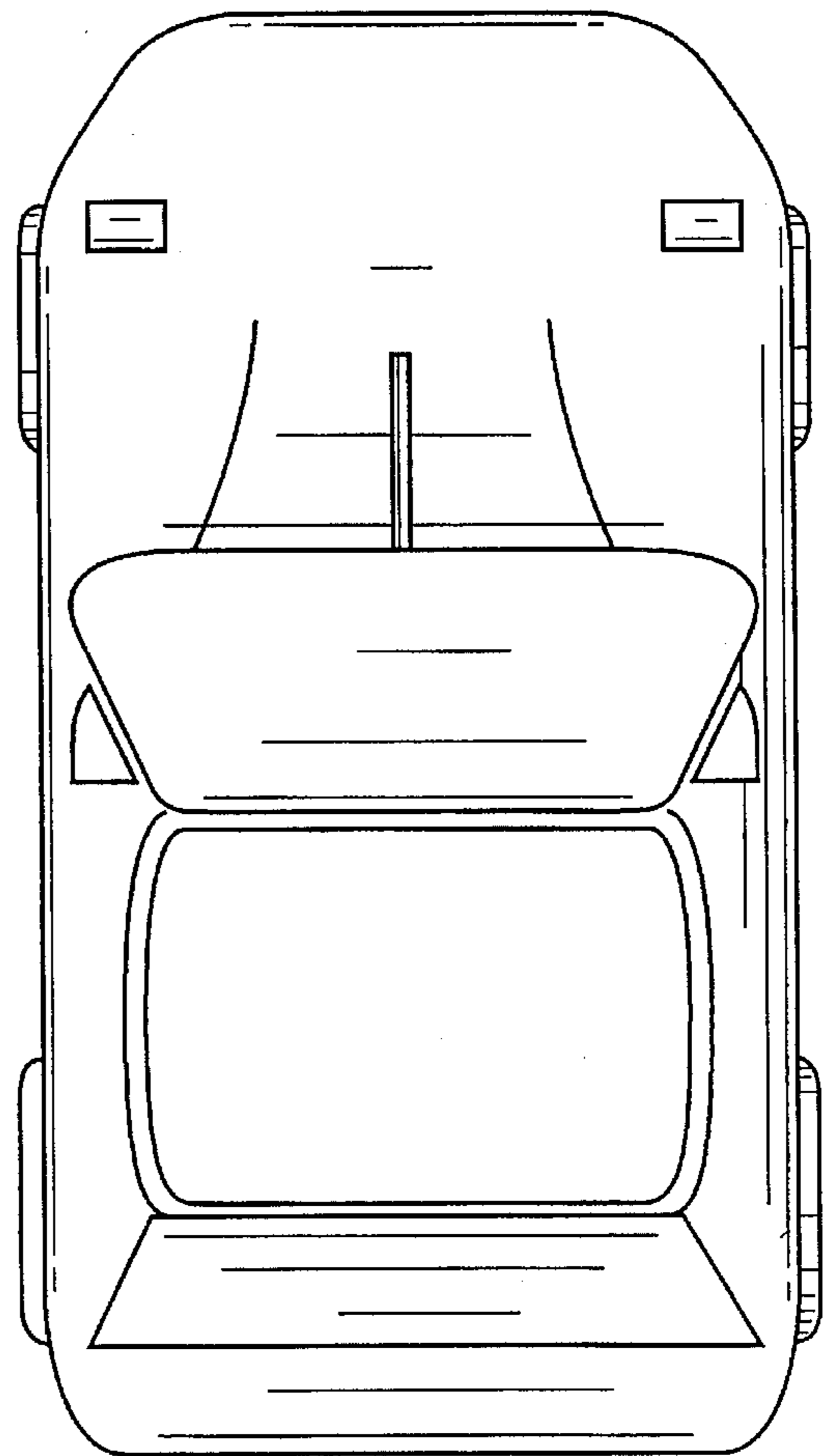


FIG. 5