



US00D375612S

United States Patent [19]
Elder

[11] **Patent Number: Des. 375,612**

[45] **Date of Patent: **Nov. 19, 1996**

[54] **ILLUMINATED HAT BAND**
[76] **Inventor: Roger L. Elder, 114 Dorothy Dr., Shrewsbury, W. Va. 25015-1904**
[**] **Term: 14 Years**

1,520,693 12/1924 Brown 2/159 X
2,006,504 7/1935 Johnson D2/628
2,294,654 9/1942 Cooper 2/181
3,871,336 3/1975 Bergman D30/152 X
3,944,803 3/1976 Chao 362/108
4,774,642 9/1988 Janko et al. 362/108

[21] **Appl. No.: 39,990**
[22] **Filed: Jun. 8, 1995**
[52] **U.S. Cl. D2/894; D10/111; D30/152; D2/628**
[58] **Field of Search D2/865, 894, 627, D2/628; D30/152; D29/100; 362/103, 105, 106, 108, 800, 806; 2/171, 181, 195.1, 311, 300, 338, 159, 160; D10/110, 111; 359/519**

Primary Examiner—Paula A. Mortimer
Attorney, Agent, or Firm—Harpman & Harpman

[57] **CLAIM**

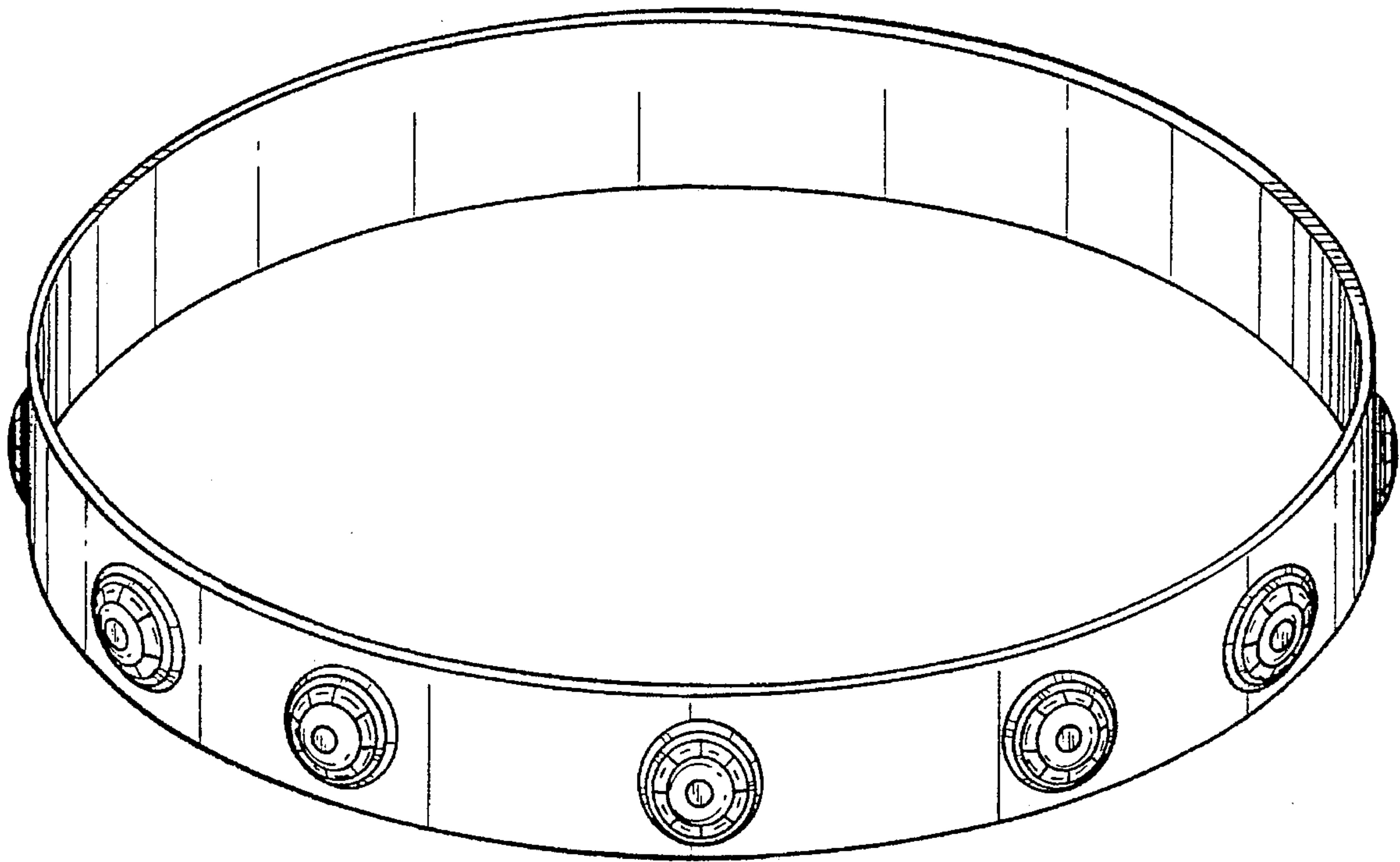
The ornamental design for an illuminated hat band, as shown and described.

DESCRIPTION

FIG. 1 is a front, top and side perspective view of an illuminated hat band showing my new design;
FIG. 2 is a side elevational view thereof, the opposite side is a mirror image; and,
FIG. 3 is a top plan view thereof, the bottom plan view is a mirror image.

[56] **References Cited**
U.S. PATENT DOCUMENTS
Re. 16,272 2/1926 Green 2/160 X
254,156 2/1882 Rucker et al. D30/152
D. 353,033 12/1994 Johanson D29/100 X

1 Claim, 2 Drawing Sheets



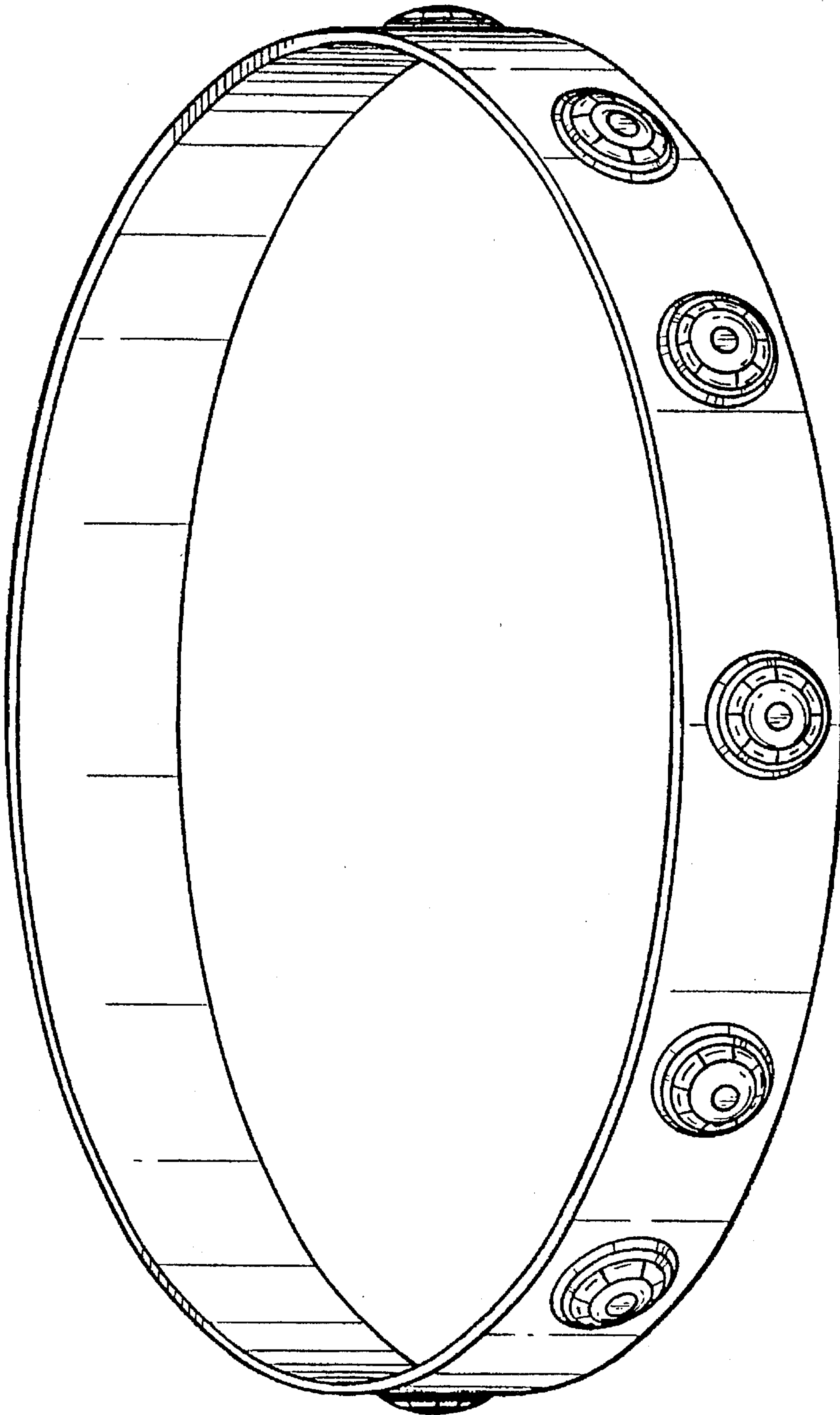


FIG. 1

FIG. 2

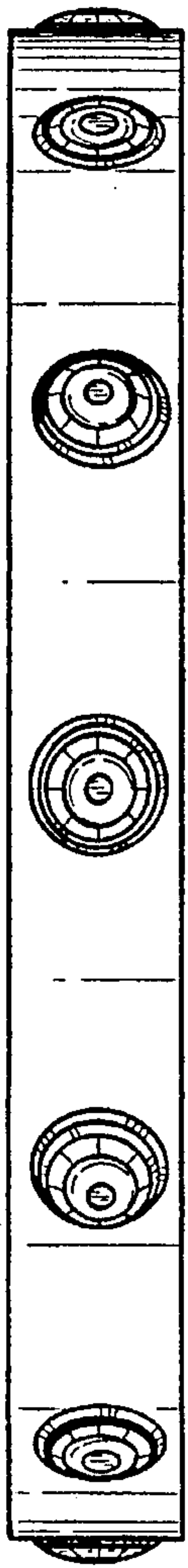


FIG. 3

