



US00D375605S

United States Patent [19]

Balish, Jr.

[11] Patent Number: **Des. 375,605**

[45] Date of Patent: ****Nov. 12, 1996**

[54] **OUTDOOR LIGHT FIXTURE**

[76] Inventor: **Frank R. Balish, Jr.**, 12429 Denton Ave., Hudson, Fla. 34667

[**] Term: **14 Years**

[21] Appl. No.: **44,114**

[22] Filed: **Sep. 18, 1995**

[52] U.S. Cl. **D26/87**

[58] Field of Search D26/67, 68, 69, D26/70, 71, 60, 72, 80-92; 362/147, 153.1, 153, 432, 431, 396

[56] **References Cited**

U.S. PATENT DOCUMENTS

D. 300,258 3/1989 Rubarth D26/87 X

Primary Examiner—Susan J. Lucas

Attorney, Agent, or Firm—William M. Hobby, III

[57] **CLAIM**

The ornamental design for an outdoor light fixture, as shown and described.

DESCRIPTION

FIG. 1 is a top and right side perspective of my new outdoor light fixture;

FIG. 2 is a left side elevation;

FIG. 3 is a front elevation;

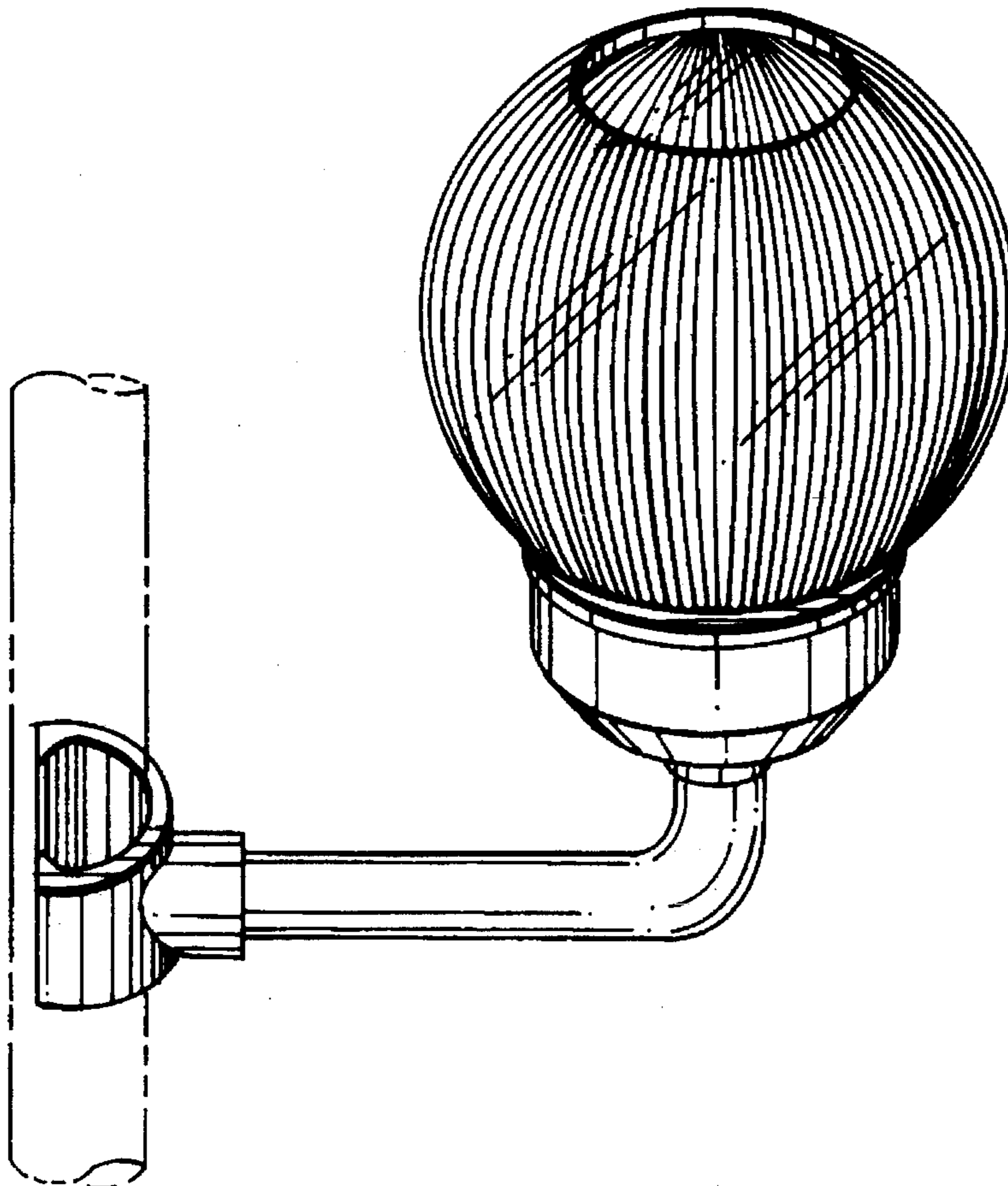
FIG. 4 is a rear elevation;

FIG. 5 is a top plan view; and,

FIG. 6 is a bottom plan view.

The post is shown in broken liens for illustrative purposes only and forms no part of the claimed design.

1 Claim, 1 Drawing Sheet



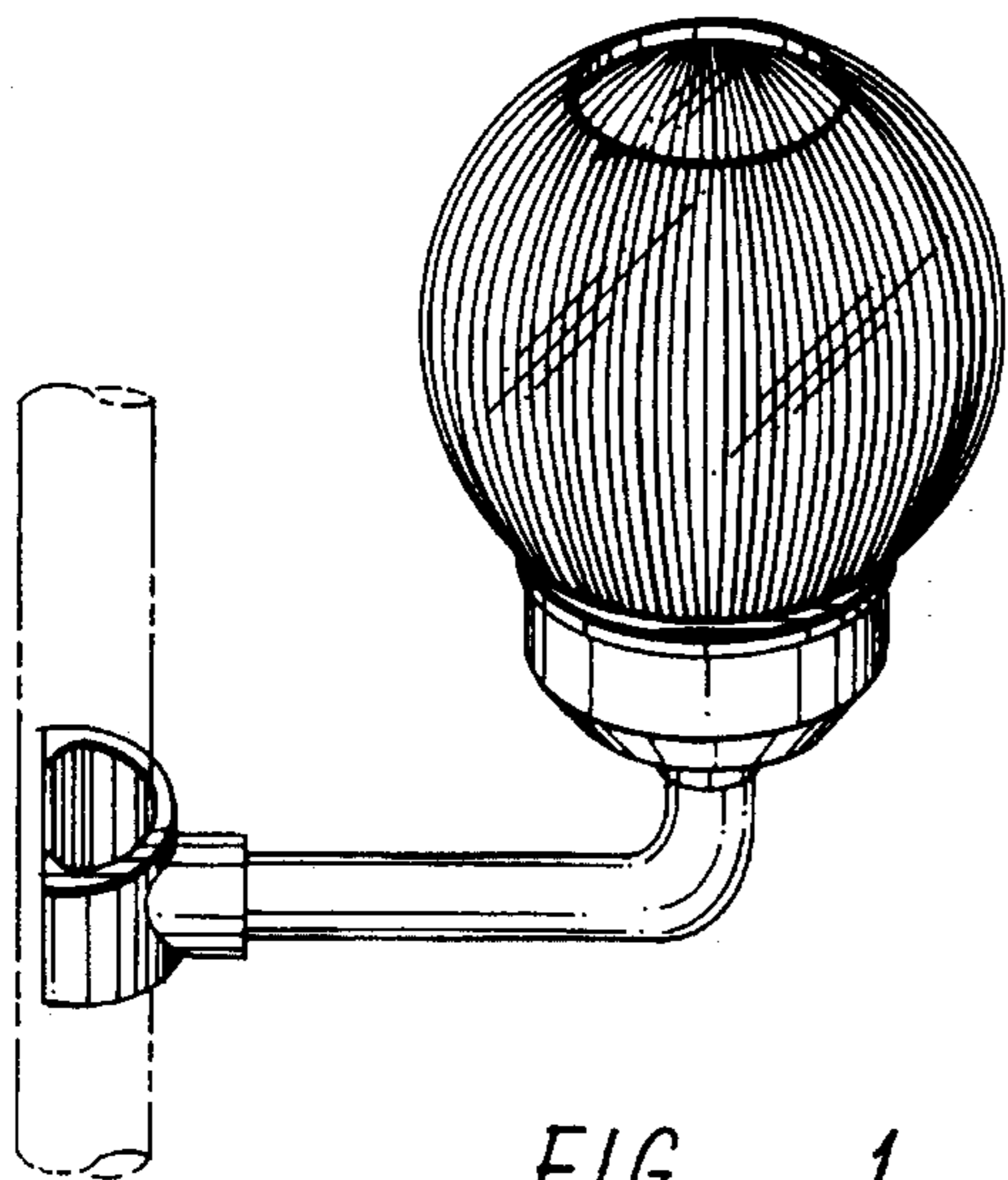


FIG. 1

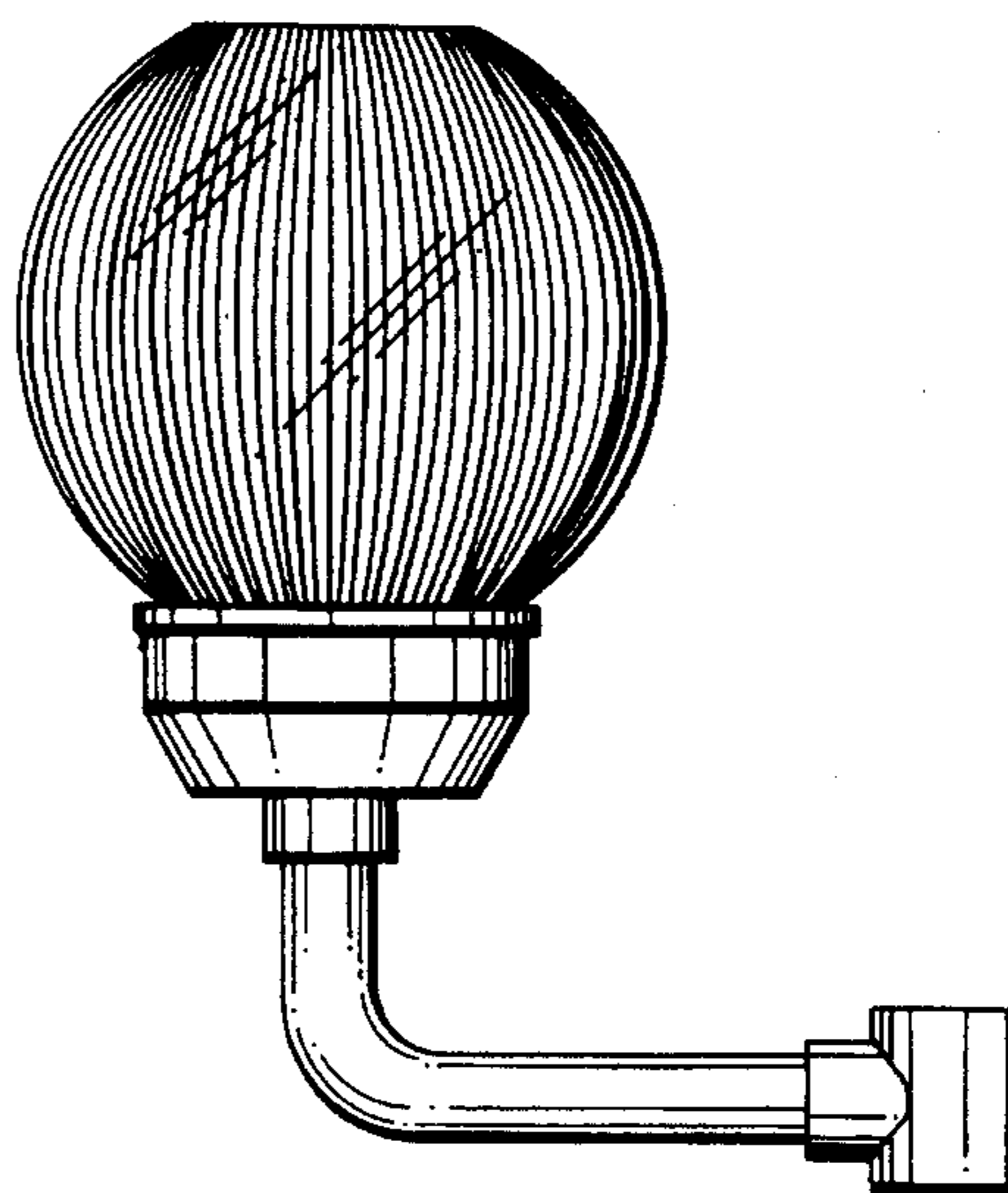


FIG. 2

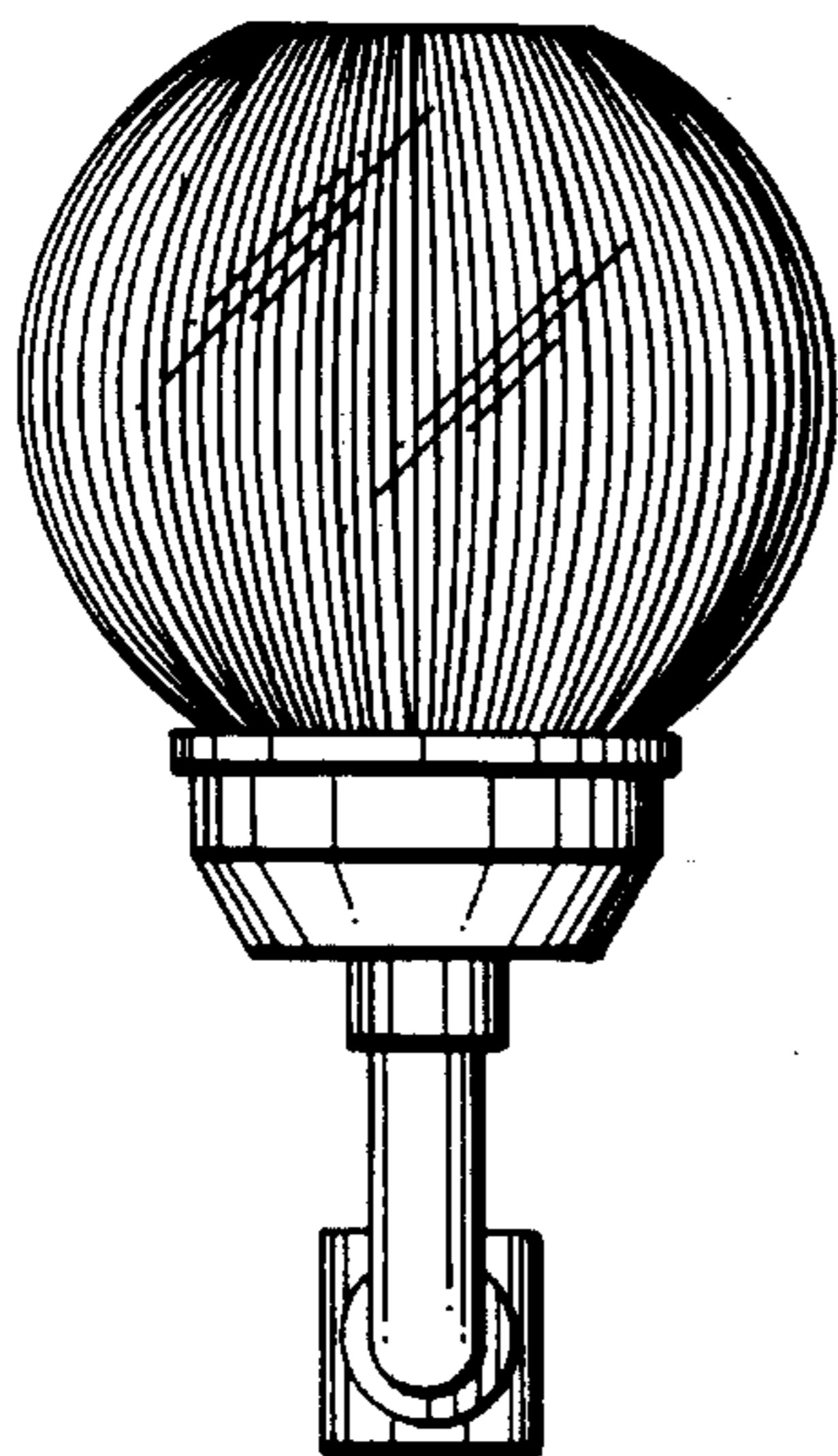


FIG. 3

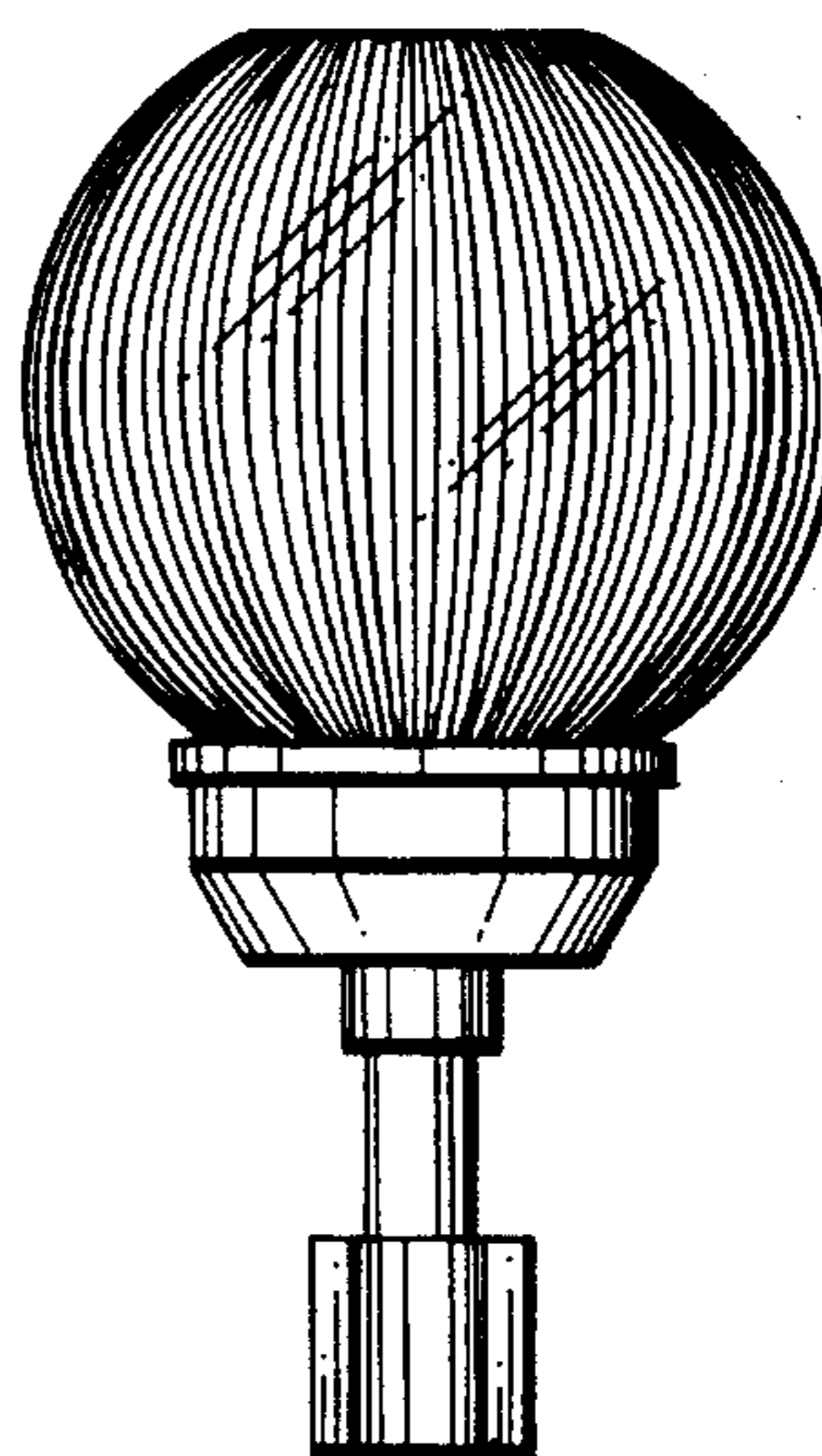


FIG. 4

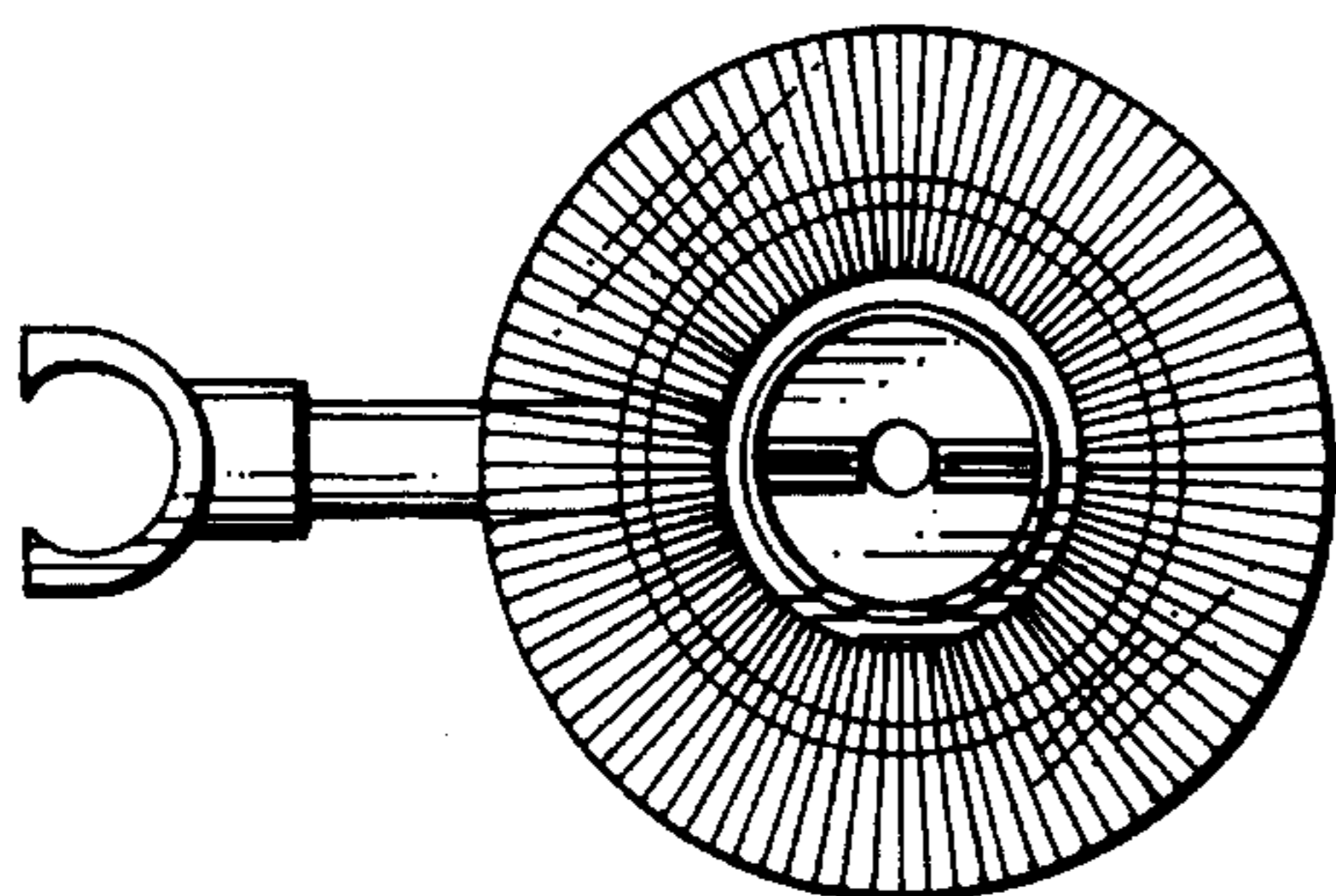


FIG. 5

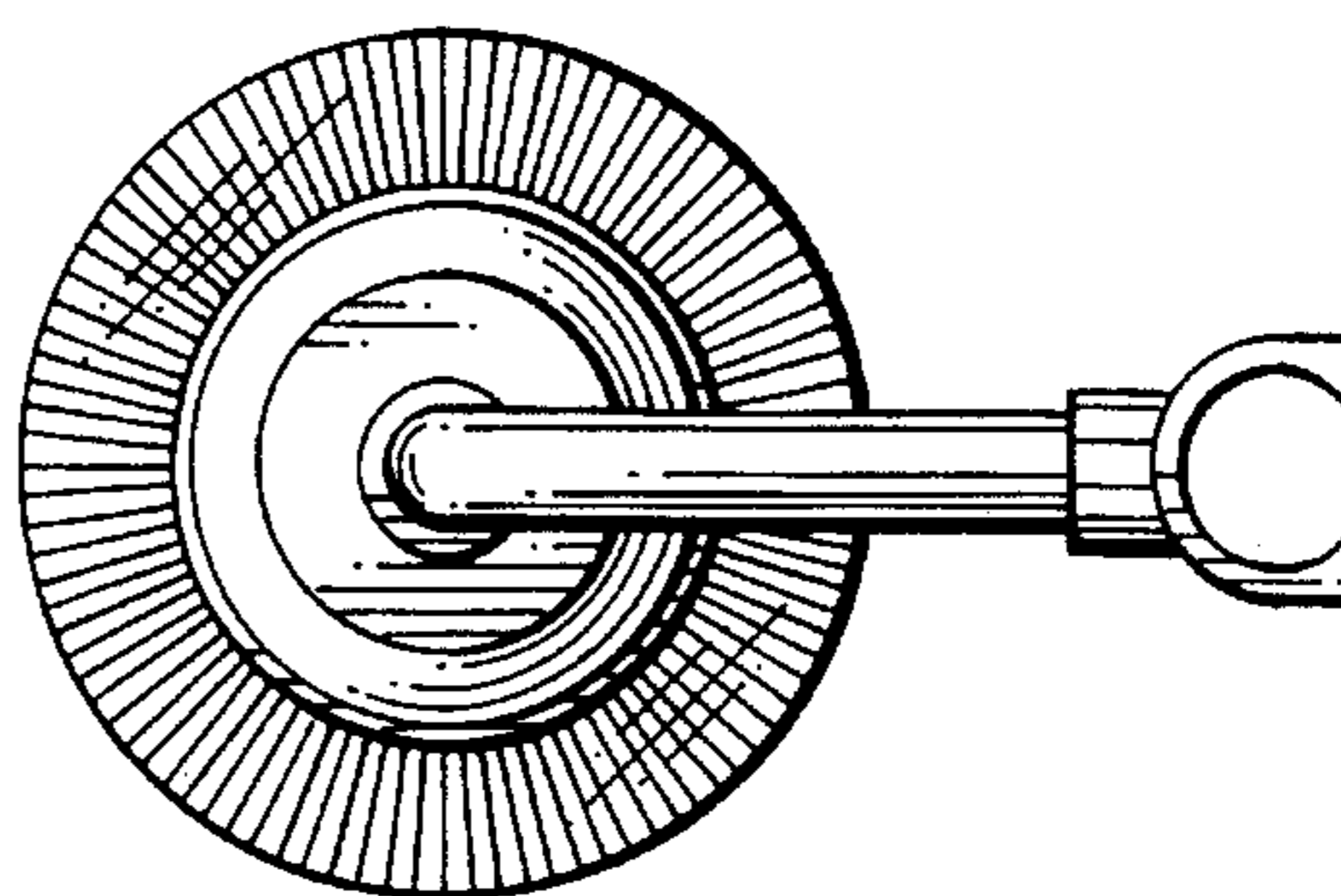


FIG. 6