



US00D375604S

# United States Patent [19]

Mitchell

[11] Patent Number: **Des. 375,604**

[45] Date of Patent: **\*\*Nov. 12, 1996**

[54] **DRUM**

[75] Inventor: **Donald J. Mitchell**, Wellsburg, W. Va.

[73] Assignee: **Eagle Manufacturing Company**,  
Wellsburg, W. Va.

[\*\*] Term: **14 Years**

[21] Appl. No.: **31,436**

[22] Filed: **Nov. 28, 1994**

[52] U.S. Cl. .... **D34/39; D34/39; D34/7;**  
**D34/1; D7/523; D7/531; D9/428; D9/500;**  
**D9/503; D9/538; D9/539; 220/908; 220/669**

D. 359,150	6/1995	Malik et al. ....	D34/39
4,648,522	3/1987	Wise .....	220/5
4,709,833	12/1987	Granberg et al. ....	220/319
5,180,076	1/1993	Hundt .....	220/420
5,190,157	3/1993	Przytulla .....	220/669
5,251,780	10/1993	Lee .....	220/908
5,301,853	4/1994	Addison et al. ....	200/320

*Primary Examiner*—Lucy Lieberman  
*Attorney, Agent, or Firm*—Armstrong, Westerman, Hattori,  
McLeland & Naughton

## [57] CLAIM

The ornamental design for a drum, as shown and described.

## DESCRIPTION

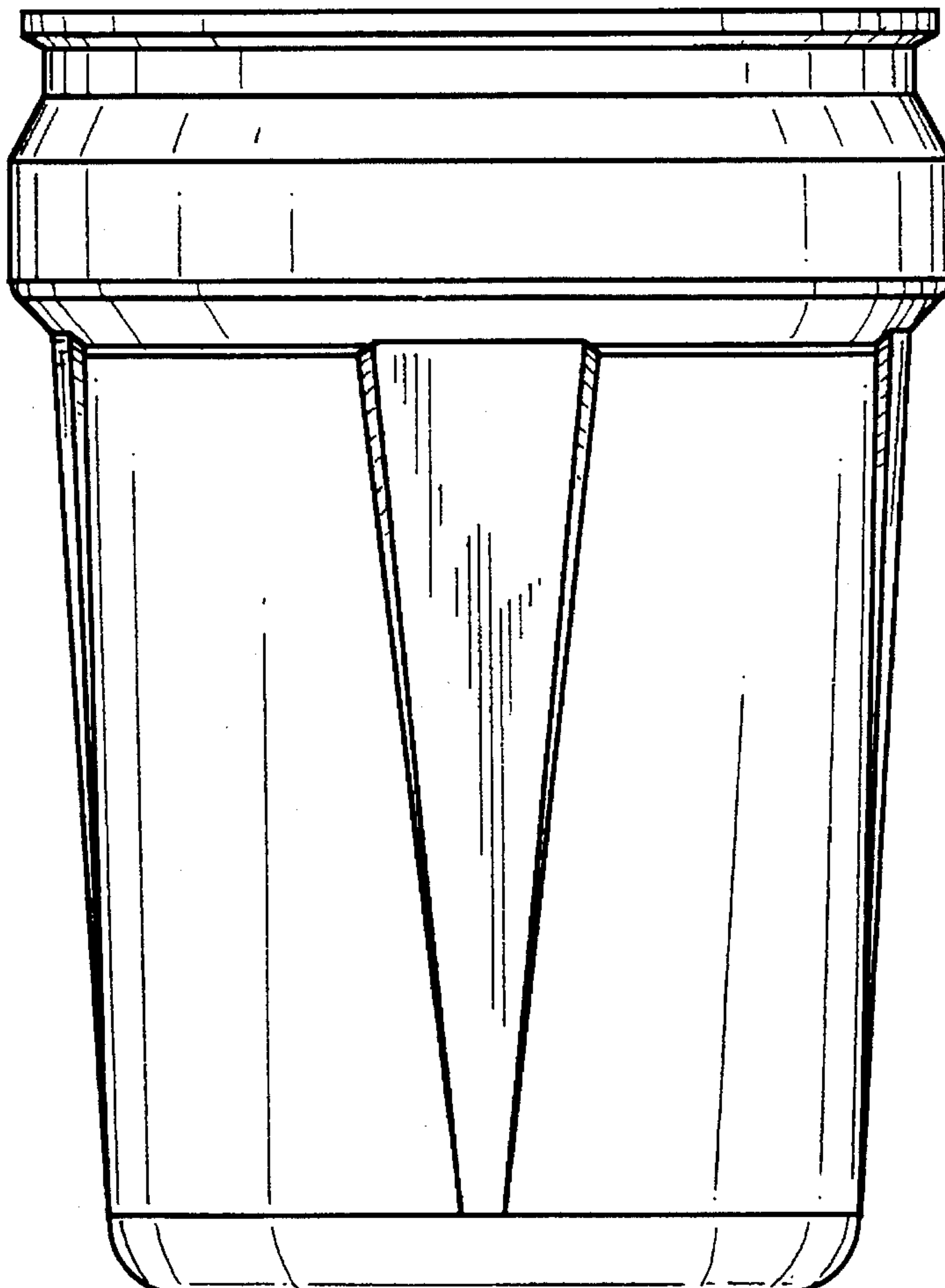
FIG. 1 is a perspective view of a drum showing my new design;  
FIG. 2 is a front elevation thereof; the rear and side elevations are the same;  
FIG. 3 is a top plan view thereof;  
FIG. 4 is a bottom plan view thereof; and,  
FIG. 5 is a sectional view taken along lines V—V of FIG. 3.

**1 Claim, 2 Drawing Sheets**

## [56] References Cited

### U.S. PATENT DOCUMENTS

D. 35,413	12/1901	Lorenz .....	D9/500
D. 205,737	9/1966	Braught .....	D34/7
D. 218,636	9/1970	Mangold .....	D34/7
D. 246,227	11/1977	Douglas .....	D9/170
D. 261,569	10/1981	Darois .....	D34/39
D. 289,937	5/1987	Cleveland, Jr. ....	D34/39
D. 295,108	4/1988	Przytulla .....	D34/39
D. 358,240	5/1995	Mosior .....	D34/7



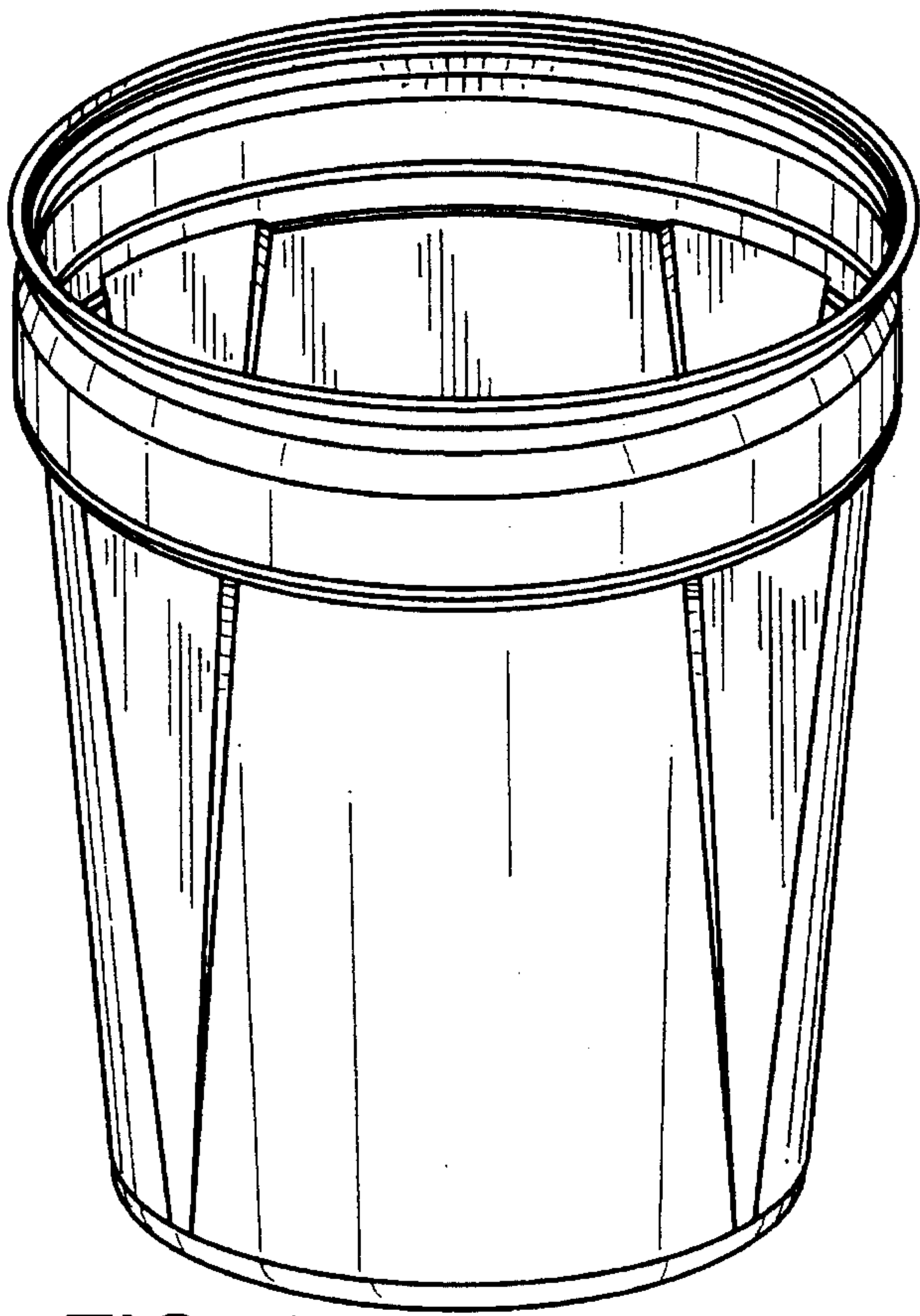


FIG. 1

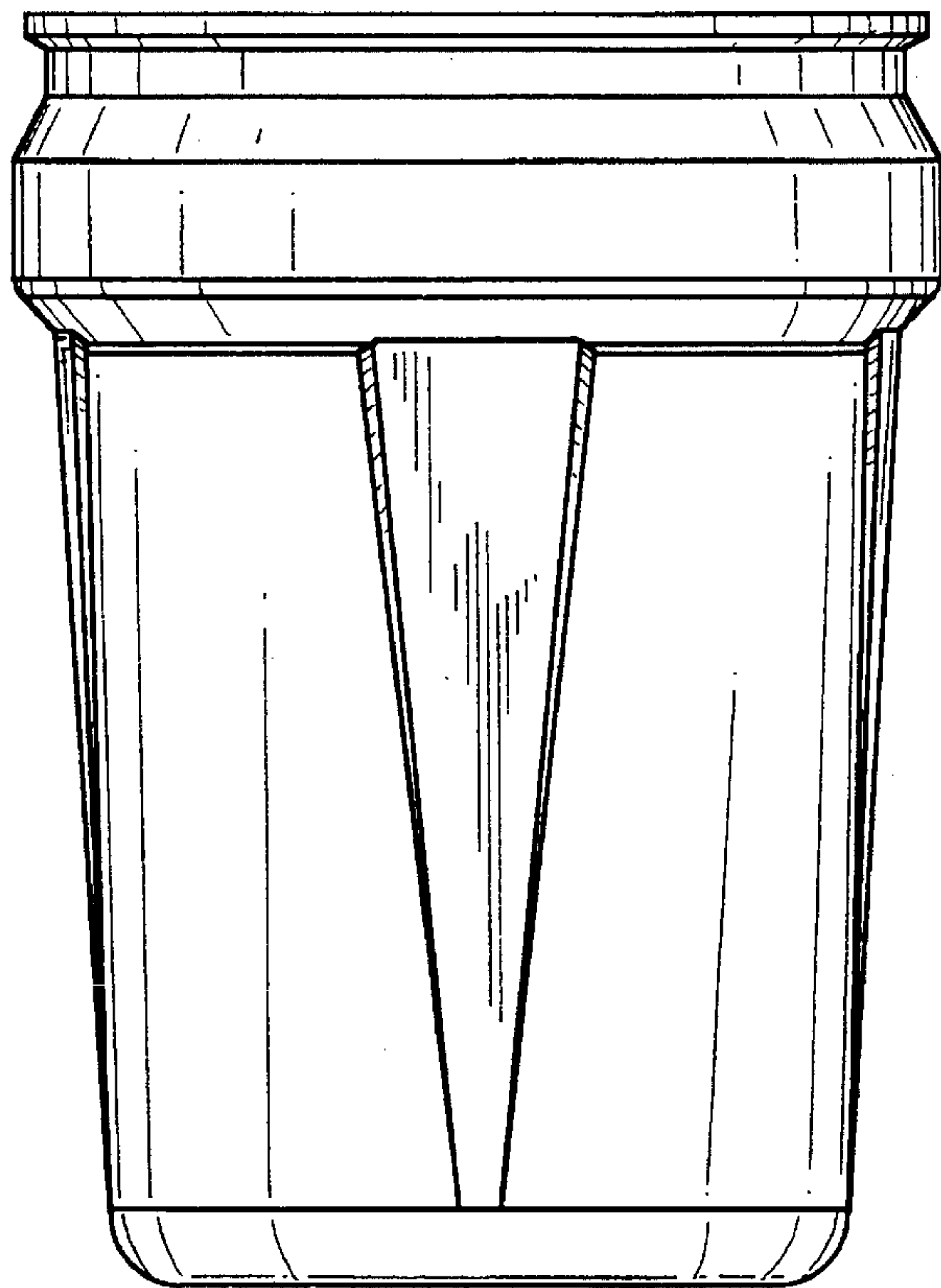


FIG. 2

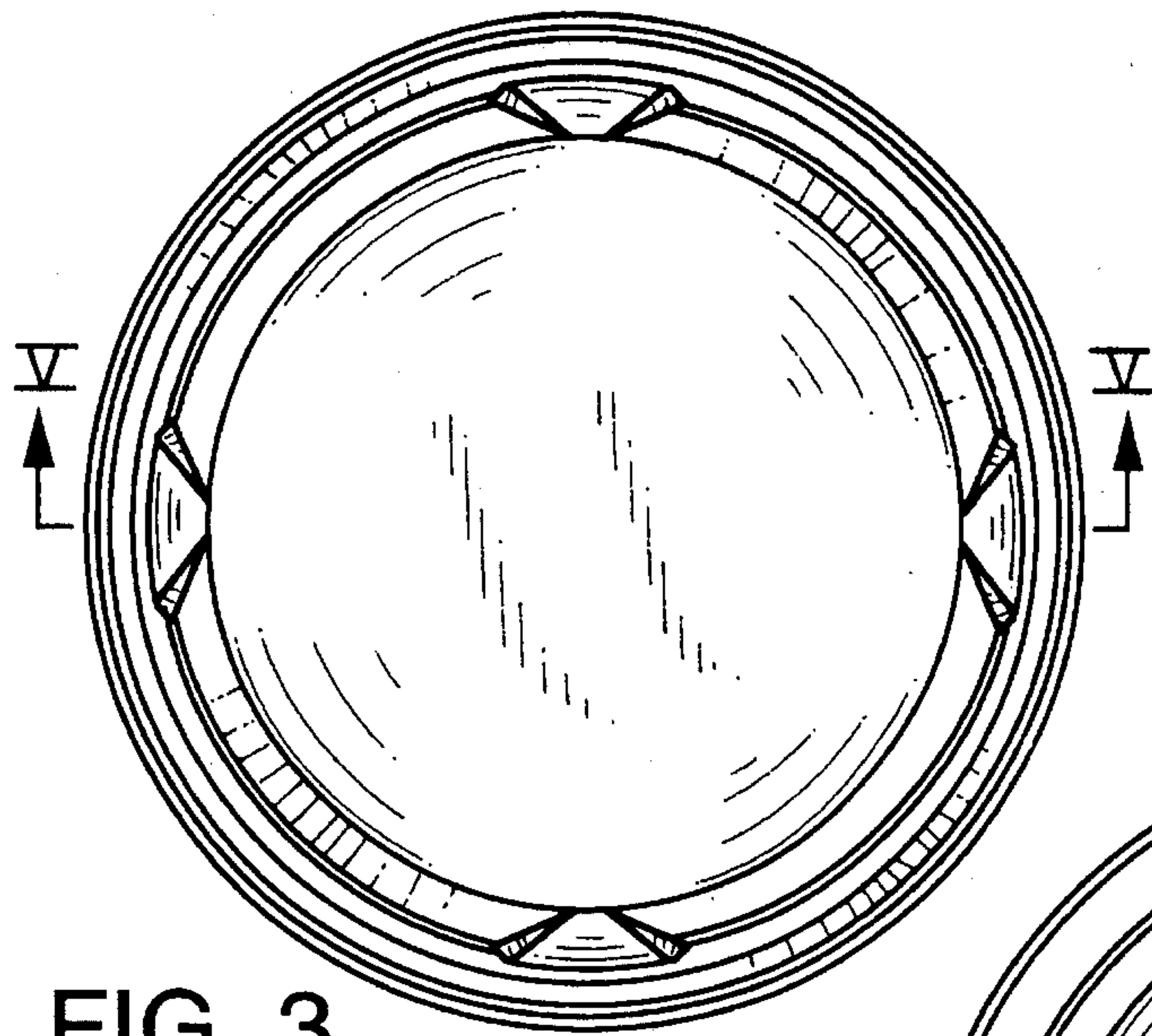


FIG. 3

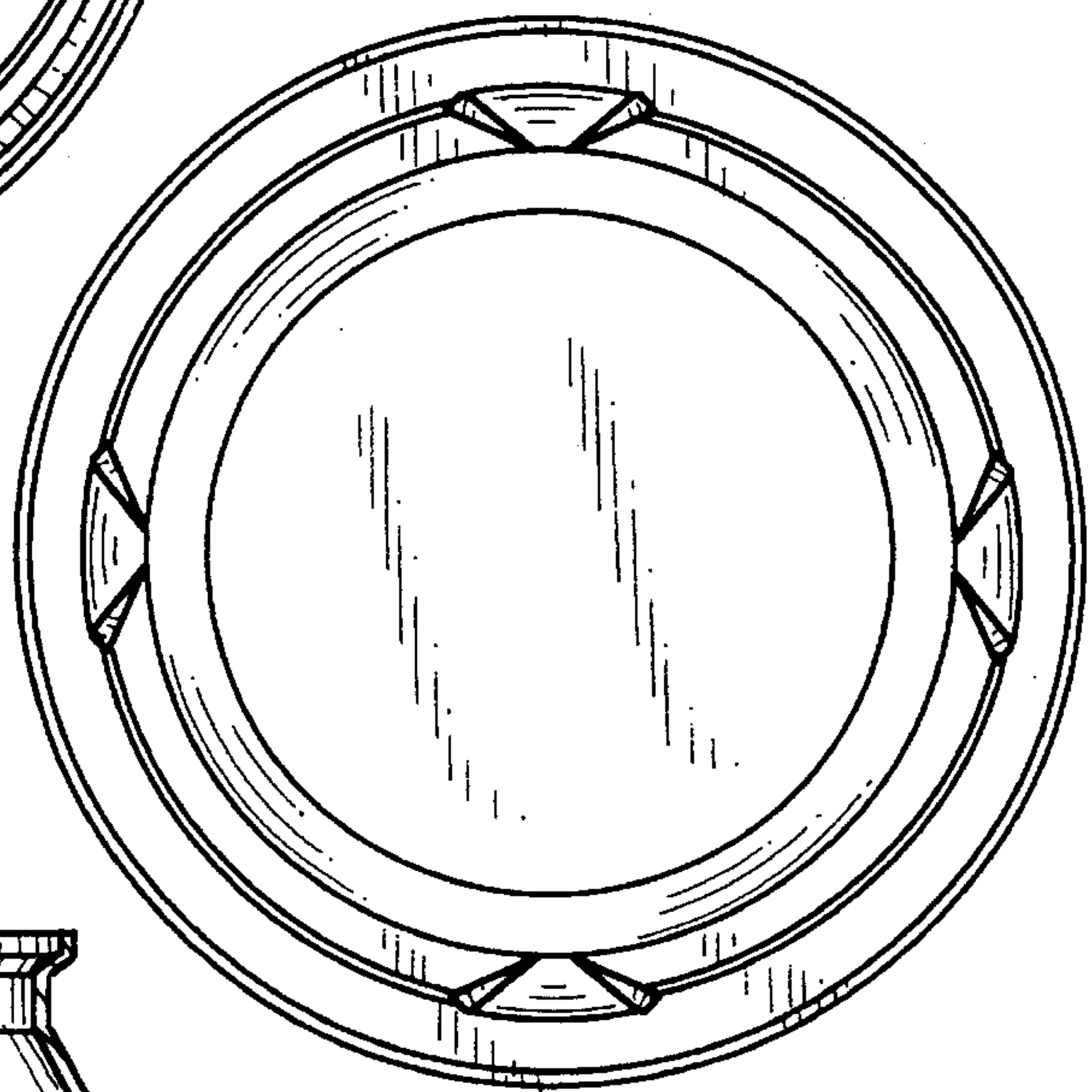


FIG. 4

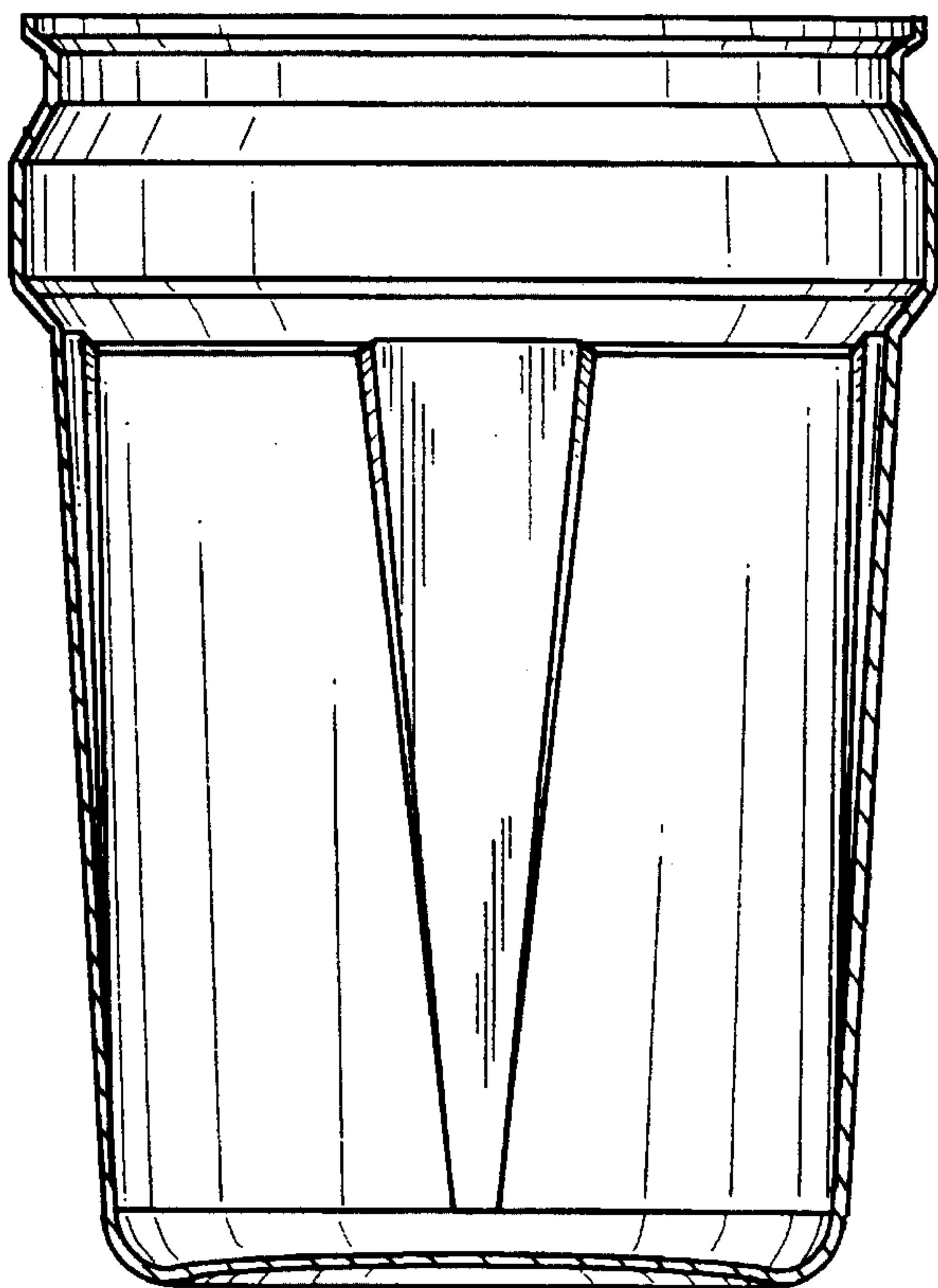


FIG. 5