



US00D375603S

United States Patent [19]

Carver

[11] Patent Number: Des. 375,603

[45] Date of Patent: **Nov. 12, 1996

[54] POSITIONER FOR ELECTRONIC EQUIPMENT

4,542,806	9/1985	Olson	182/152
4,925,039	5/1990	Macris	212/901
5,165,632	11/1992	Kuan	D34/23

[76] Inventor: Carlton S. Carver, 303 Magnolia Dr., Washington, N.C. 27889

[**] Term: 14 Years

Primary Examiner—A. Hugo Word
Assistant Examiner—Robin V. Taylor
Attorney, Agent, or Firm—John M. England, Jr.

[21] Appl. No.: 41,320

[57] CLAIM

[22] Filed: Jul. 11, 1995

The ornamental design for a positioner for electronic equipment, as shown.

[52] U.S. Cl. D34/28

[58] Field of Search D34/23, 28, 33,
D34/35, 36; 212/94, 179, 294-5, 901; 187/200,
243-4; 182/2, 152; 254/45, 2 C, 10 R,
124, 8 R

DESCRIPTION

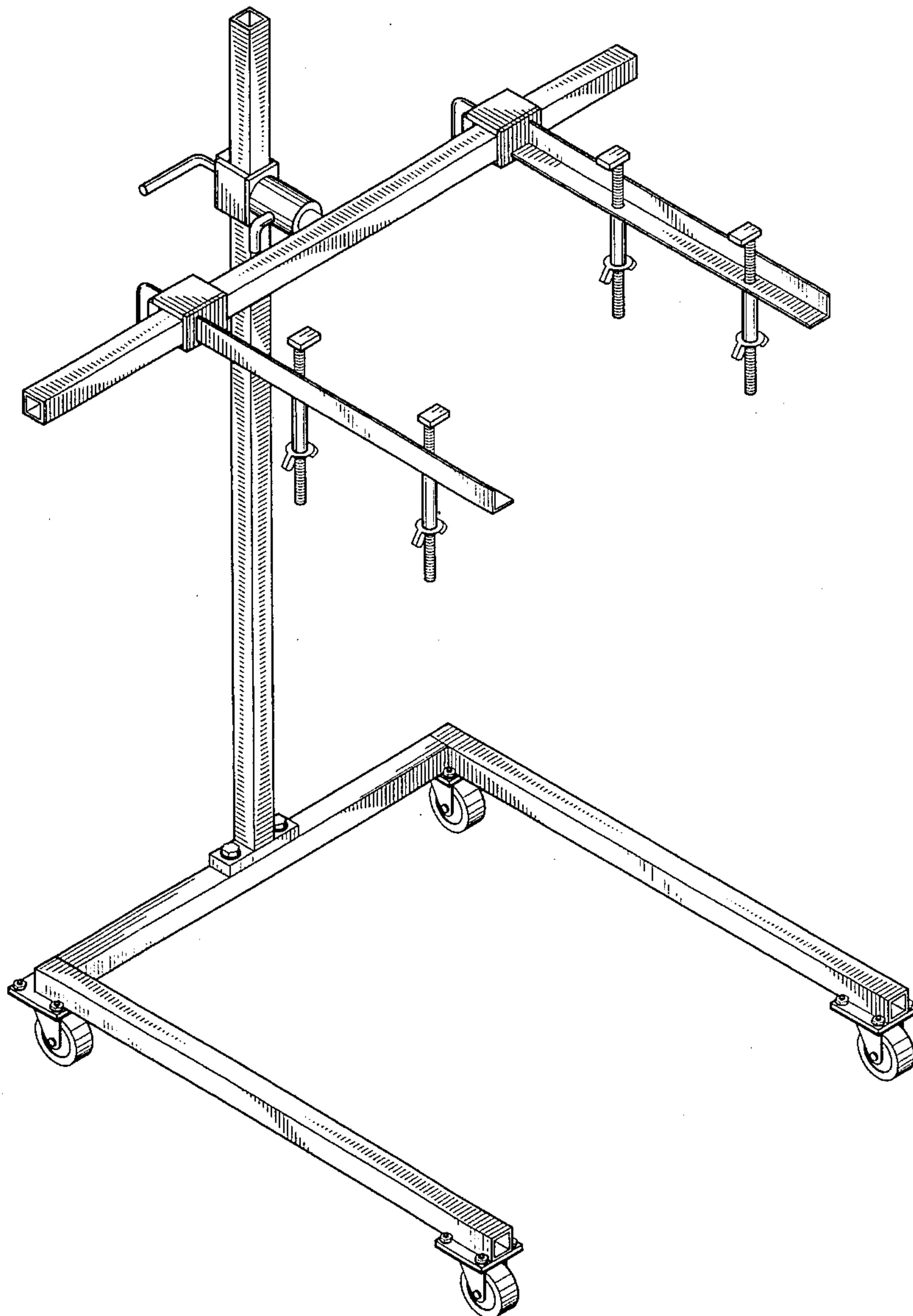
FIG. 1 is a top, left, and front perspective view of the positioner for electronic equipment; FIG. 2 is a right side elevation view; FIG. 3 is a rear elevation view; and, FIG. 4 is a bottom plan view.

[56] References Cited

U.S. PATENT DOCUMENTS

D. 306,368 2/1990 Daugherty D34/28

1 Claim, 4 Drawing Sheets



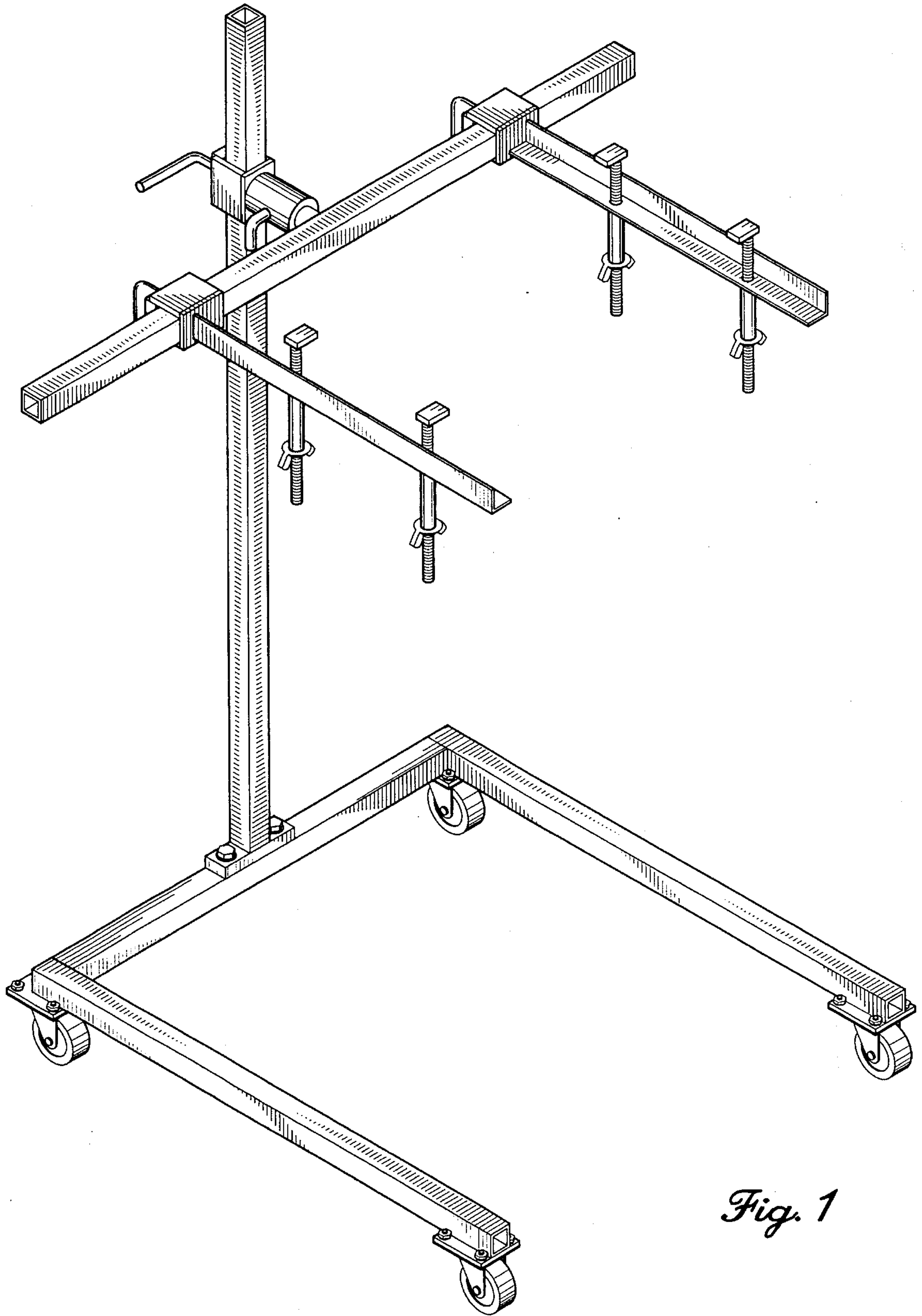


Fig. 1

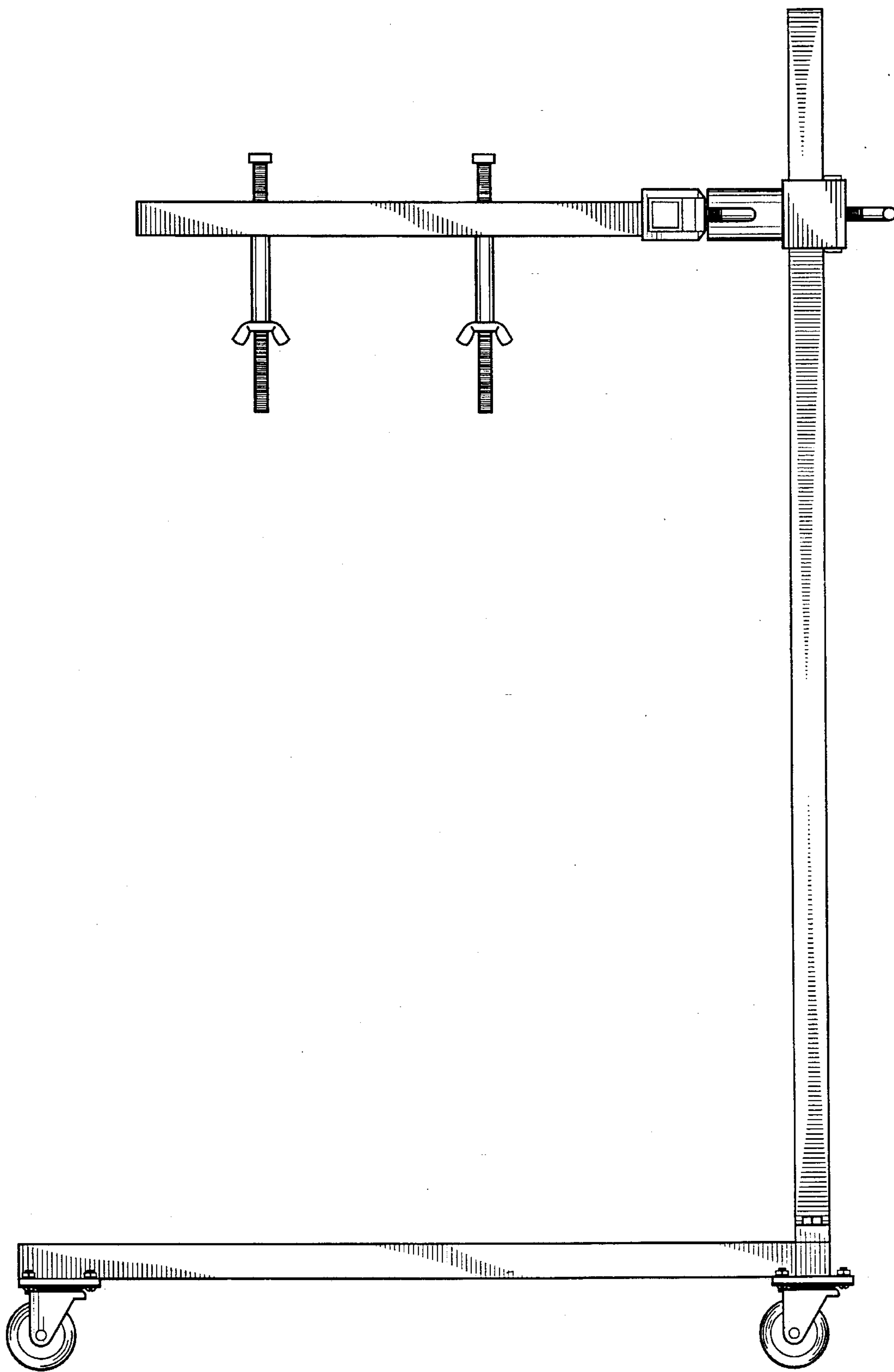


Fig. 2

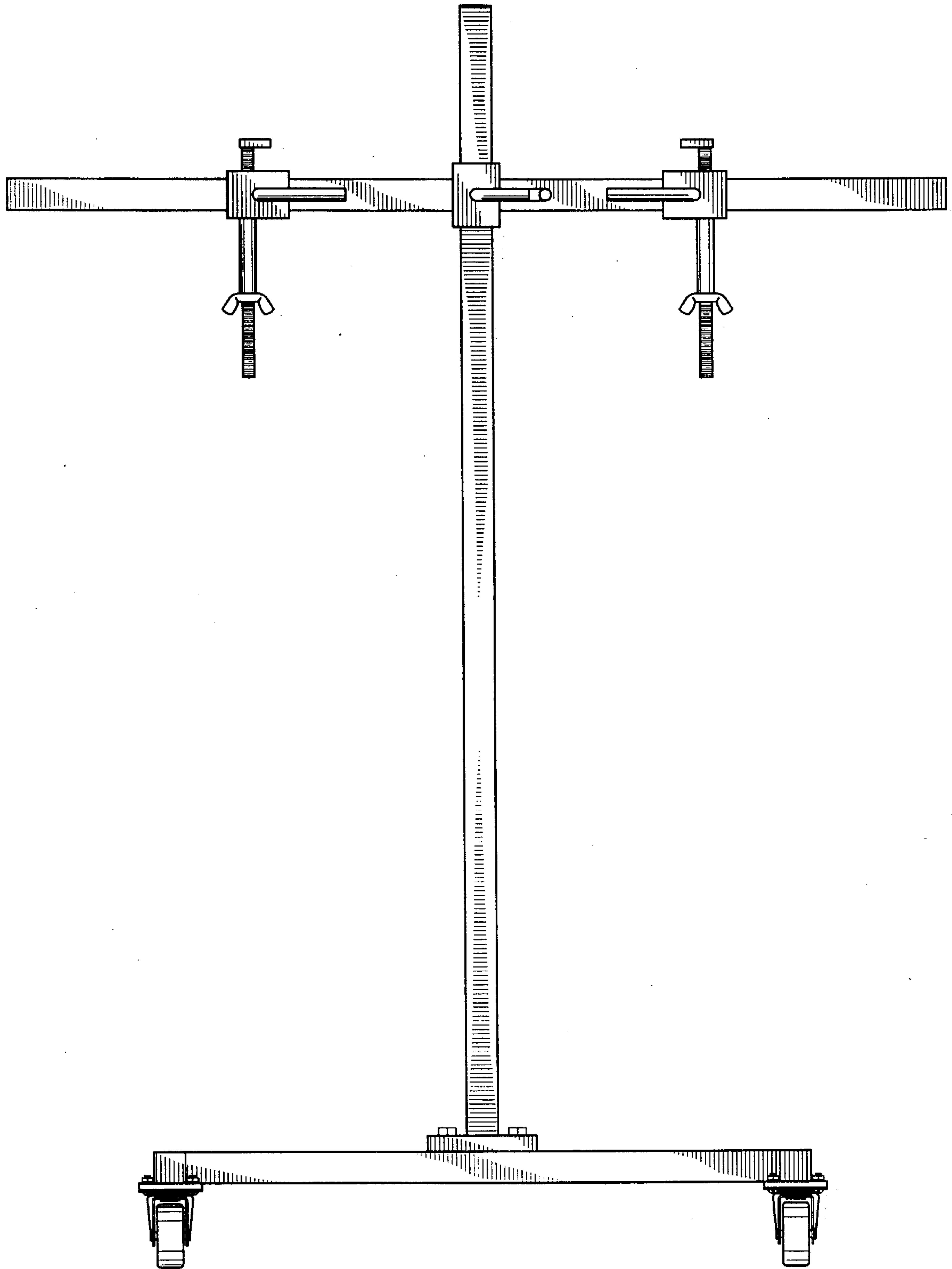


Fig. 3

Fig. 4

