



US00D375602S

United States Patent [19]

[11] Patent Number: Des. 375,602

Henthorn et al.

[45] Date of Patent: **Nov. 12, 1996

[54] ABOVE GROUND LIFT

[75] Inventors: Donald R. Henthorn, Simi Valley; Jeffrey S. Kritzer, Moorpark, both of Calif.

[73] Assignee: Bend-Pak, Inc., Santa Paula, Calif.

[**] Term: 14 Years

[21] Appl. No.: 40,547

[22] Filed: Jun. 21, 1995

[52] U.S. Cl. D34/28

[58] Field of Search D34/28, 31; D12/154; 187/200, 203, 204; 254/45, 9 B, 9 C, 90

[56] References Cited

U.S. PATENT DOCUMENTS

D. 273,433	4/1984	Masui	D34/28
D. 346,255	4/1994	Francis et al. .	
4,447,042	5/1984	Masui	254/90
4,724,930	2/1988	VanLierop .	
4,995,130	2/1991	Hahn et al.	D34/28
5,016,858	5/1991	Mitchell	254/45
5,031,726	7/1991	Wakamiya .	
5,099,956	9/1991	Curran	187/200
5,199,686	4/1993	Fletcher .	
5,340,082	8/1994	Holloway	254/9 C
5,377,782	1/1995	Francis et al. .	
5,419,534	5/1995	Vesely	254/9 C

OTHER PUBLICATIONS

Sales literature of Air-Hydraulic autolift by AC Hydraulics; published prior to Jun. 21, 1994.

Sales literature of Space Max lifting systems by Argo Lift Corporation; published prior to Jun. 21, 1994.

Sales literature of full service lift by Bear Automotive Service Equipment Company; published prior to Jun. 21, 1994.

Sales literature of surface mounted lifting system by Bend-Pak; published prior to Jun. 21, 1994.

Sales literature of Port-A-Lift 6000 by Benwill Industries; published prior to Jun. 21, 1994.

Sales literature of Port-A-Lift PL-6P by Benwil Industries; published prior to Jun. 21, 1994.

Sales literature of above-floor low-rise lift by Dresser Industries, Inc.; published prior to Jun. 21, 1994.

Sales literature of Air Hydraulic by FORWARD; published prior to Jun. 21, 1994.

Sales literature of lift by Giuliano s.r.l.; published prior to Jun. 21, 1994.

Sales brochure of Model QL-60 Plus Quicklift by Gray Automotive Products Co.; published prior to Jun. 21, 1994.

Sales literature of Multi-Purpose lift by Hennessy Industries, Inc. (2); published prior to Jun. 21, 1994.

Sales literature of Model 16 by Hydra-Lift Industries Ltd.; published prior to Jun. 21, 1994.

Sales literature of Art. 550 and Art. 550/a by OMCN s.p.a.; published prior to Jun. 21, 1994.

Sales literature of Art. 153 by OrLandini; published prior to Jun. 21, 1994.

Sales literature of Low Rise Lift by Precision Metal Works; published prior to Jun. 21, 1994.

Sales literature of Low-Rise Surface Lifts by Rotary Lift Company; published prior to Jun. 21, 1994.

Sales literature of Wheel-Lift by Wen Industries, Inc.; published prior to Jun. 21, 1994.

Sales literature of Werther T. 3500 by Werther International; published prior to Jun. 21, 1994.

Primary Examiner—A. Hugo Word
 Assistant Examiner—Robin V. Taylor
 Attorney, Agent, or Firm—Litman, McMahon and Brown, L.L.C.

[57] CLAIM

The ornamental design for an above ground lift, as shown and described.

DESCRIPTION

FIG. 1 is a perspective view of an above ground lift, showing our new design;

FIG. 2 is a right side elevational view thereof;

FIG. 3 is a top plan view thereof;

FIG. 4 is a left side elevational view thereof;

FIG. 5 is a bottom plan view thereof;

FIG. 6 is a front elevational view thereof; and,

FIG. 7 is a rear elevational view thereof.

1 Claim, 2 Drawing Sheets

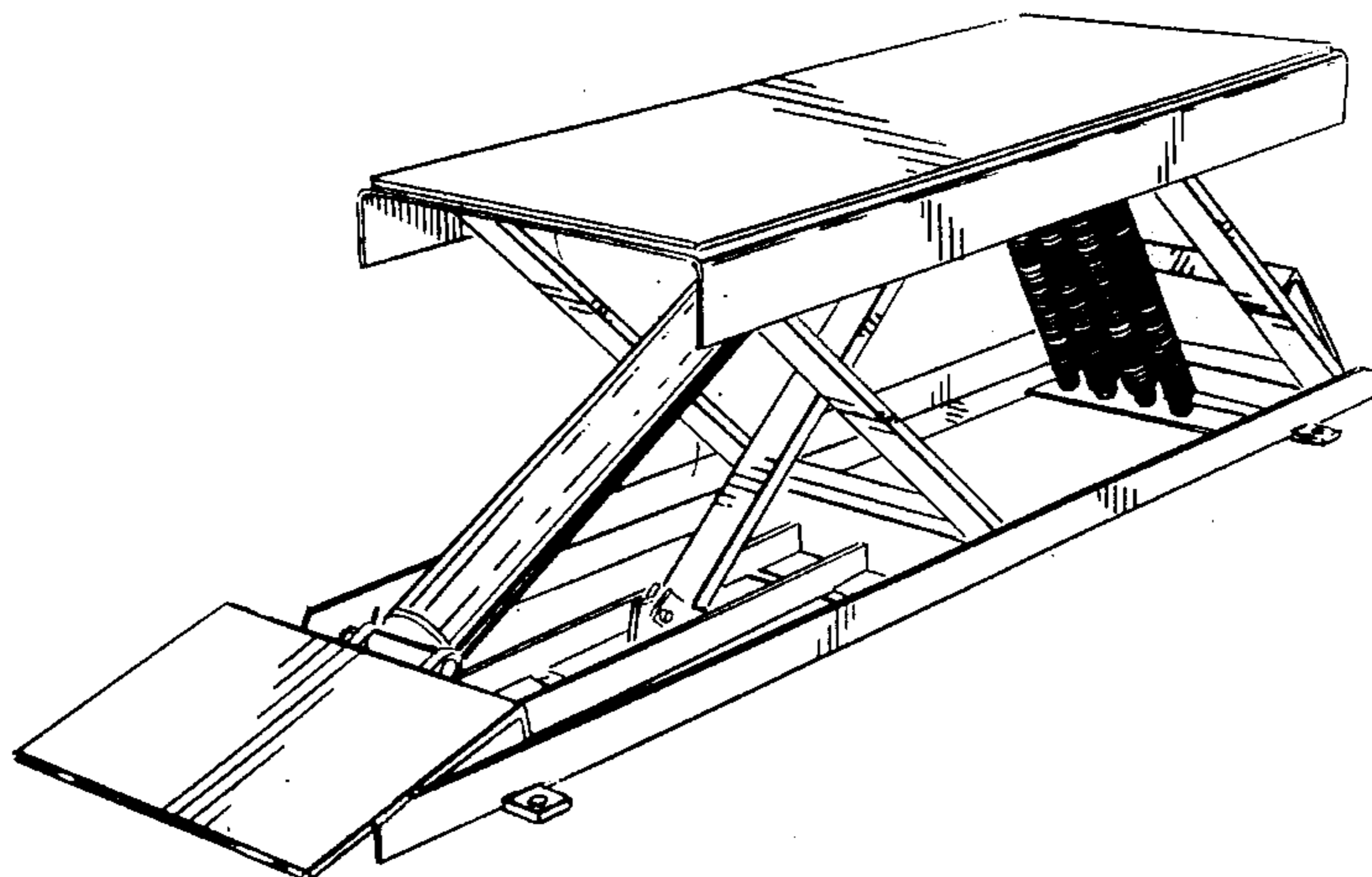


Fig. 1.

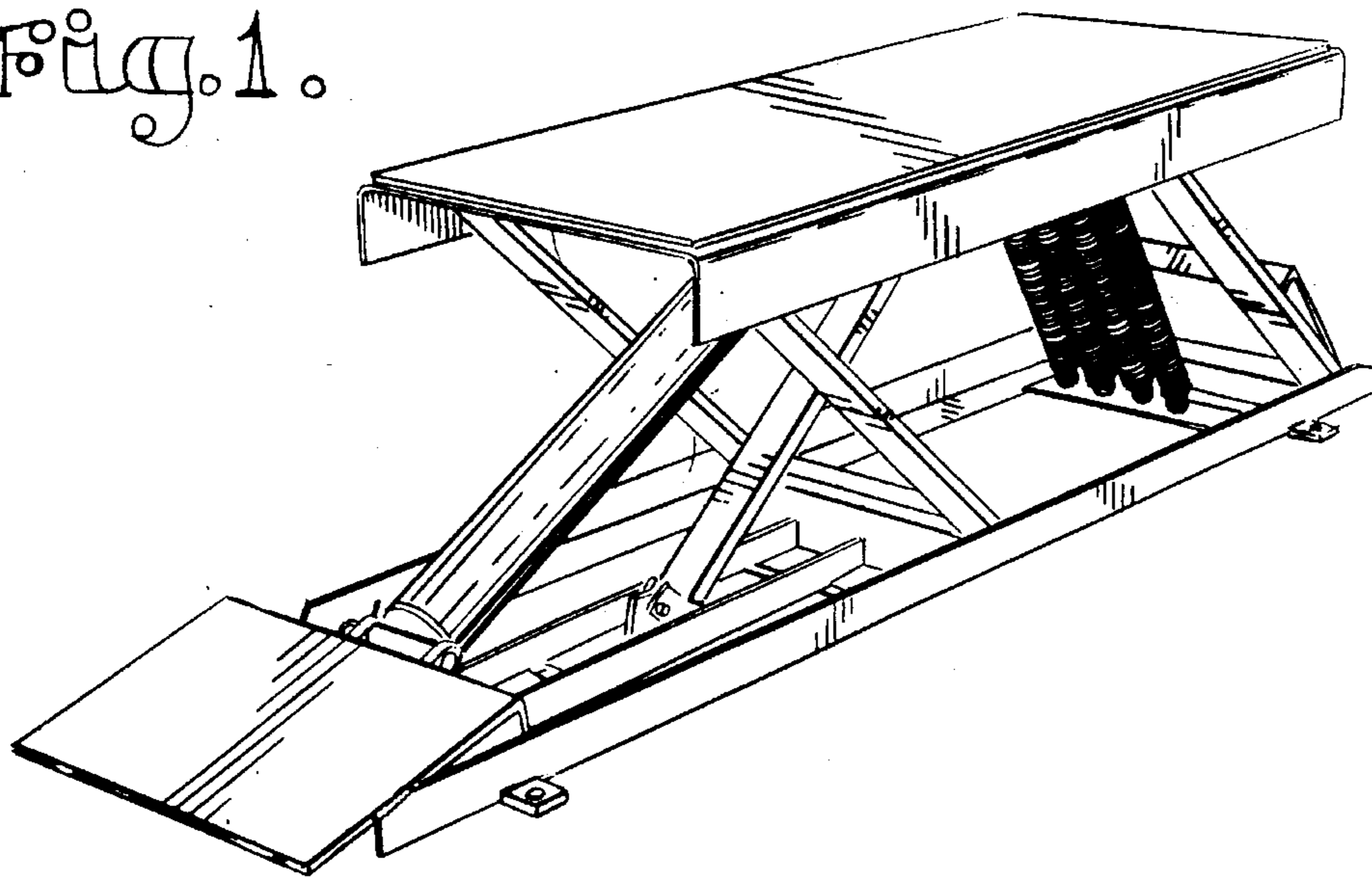


Fig. 2.

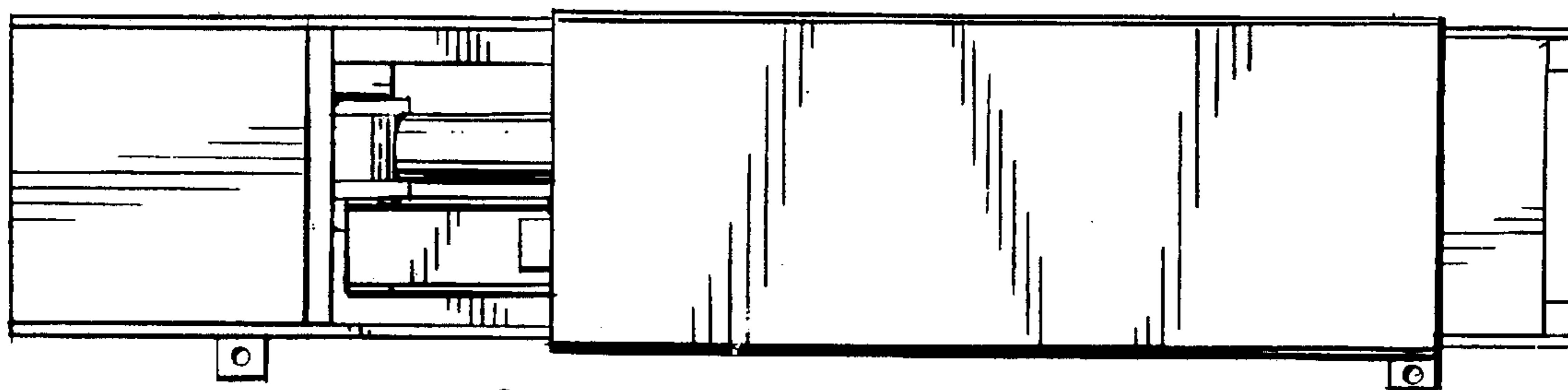
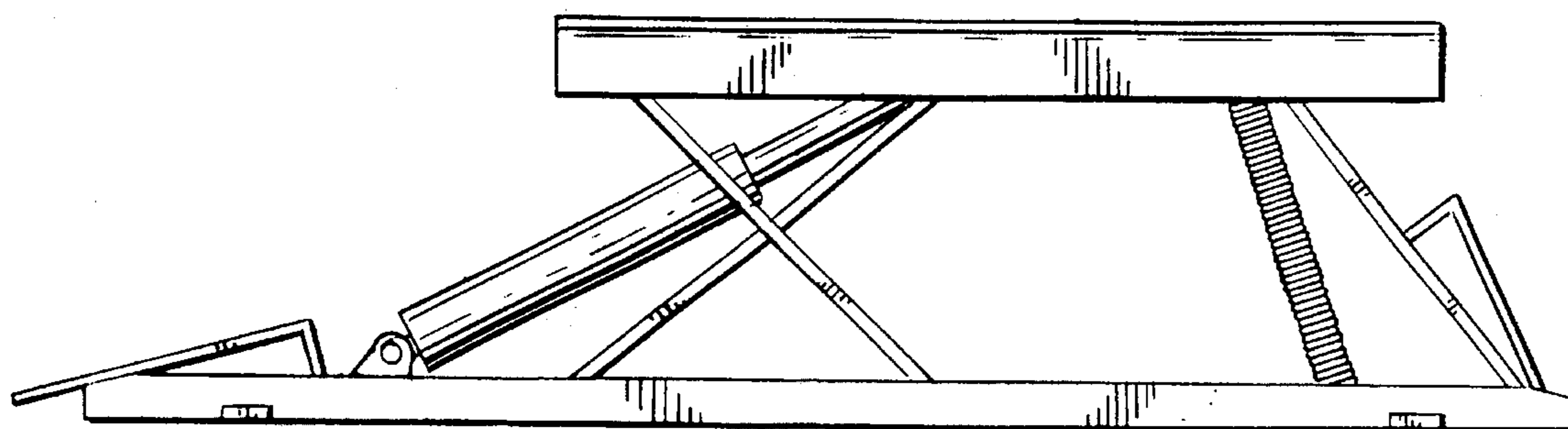


Fig. 3.

Fig. 4.

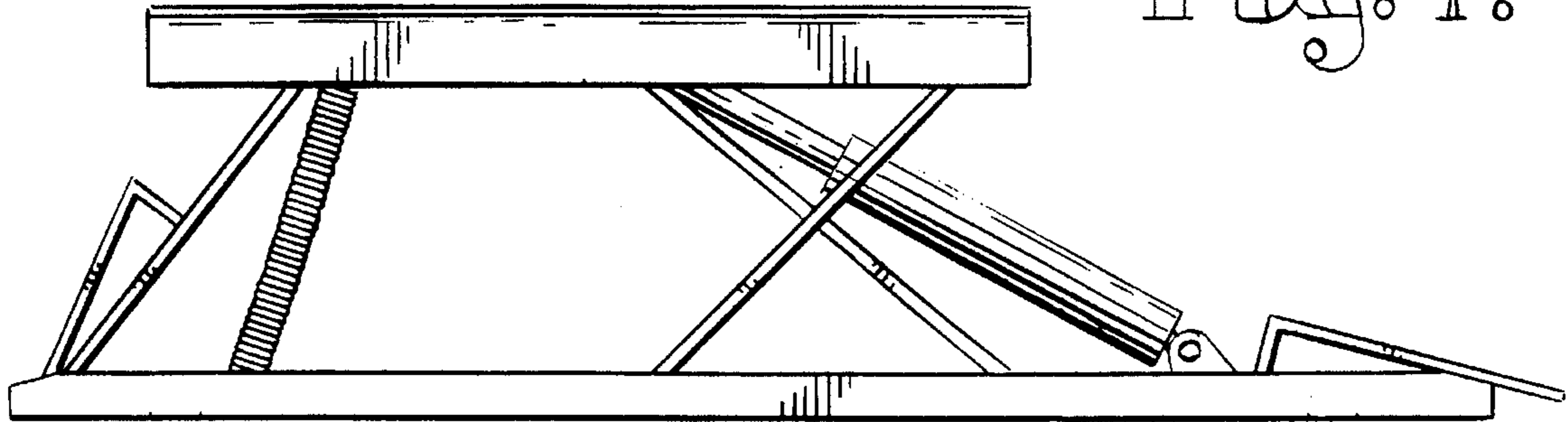


Fig. 5.

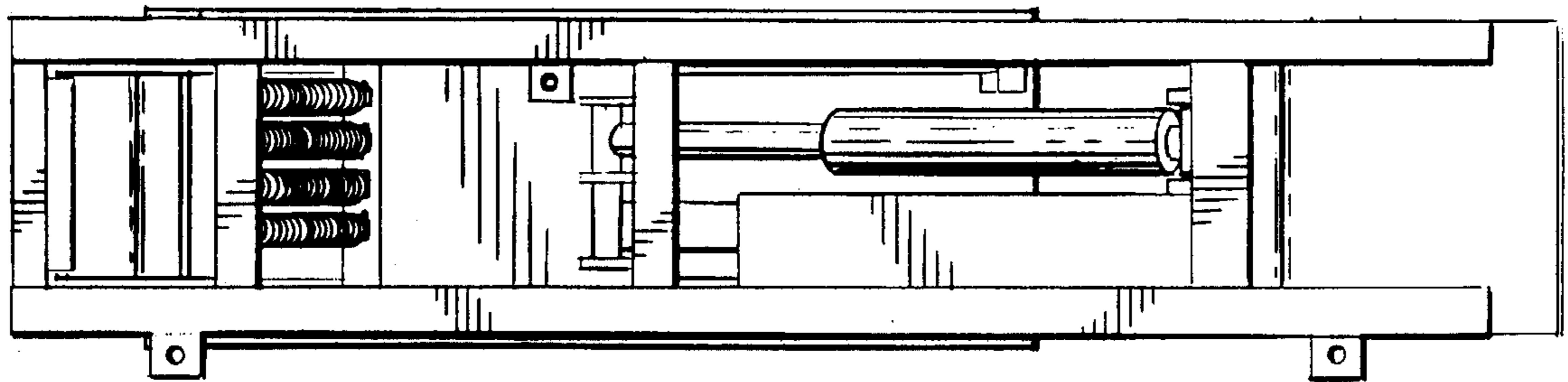


Fig. 6.

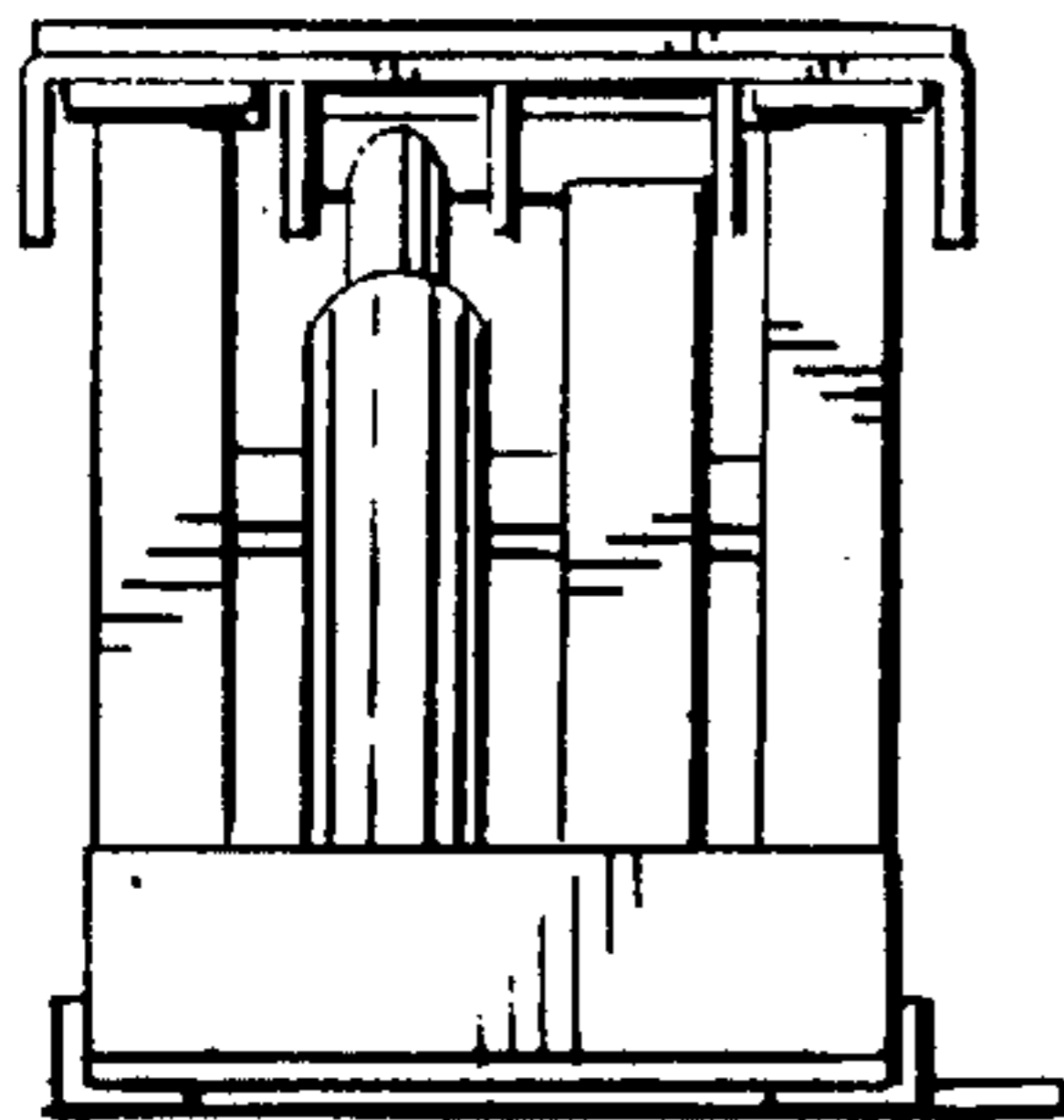


Fig. 7.

