



US00D375601S

United States Patent [19] Myers

[11] **Patent Number: Des. 375,601**
[45] **Date of Patent: **Nov. 12, 1996**

[54] **HANDLE FOR SHOPPING CART**
[75] Inventor: **Robert Myers**, Chislehurst, United Kingdom
[73] Assignee: **Lorraine Patricia Myers**, United Kingdom
[**] Term: **14 Years**

5,301,443 4/1994 Gori 40/308

FOREIGN PATENT DOCUMENTS

2643178 8/1990 France 40/308

Primary Examiner—Kay H. Chin
Attorney, Agent, or Firm—Samuels, Gauthier, Stevens & Reppert

[21] Appl. No.: **45,046**
[22] Filed: **Oct. 6, 1995**

[57] **CLAIM**
The ornamental design for a handle for shopping cart, as shown and described.

[30] **Foreign Application Priority Data**
Apr. 10, 1995 [GB] United Kingdom 2046622
[52] **U.S. Cl.** **D34/27**
[58] **Field of Search** D34/27, 12, 17, D34/19; 40/308, 506; 16/111 A, 111 R; 280/33, 992

DESCRIPTION

FIG. 1 is a perspective view of a handle for shopping cart showing my new design;
FIG. 2 is a rear plan view thereof;
FIG. 3 is a left side elevational view, the right side being a mirror image thereof;
FIG. 4 is an front plan view thereof;
FIG. 5 is a top plan view thereof; and,
FIG. 6 is a bottom plan view thereof.

[56] **References Cited**
U.S. PATENT DOCUMENTS
D. 341,691 11/1993 Begum et al. D34/12

1 Claim, 2 Drawing Sheets

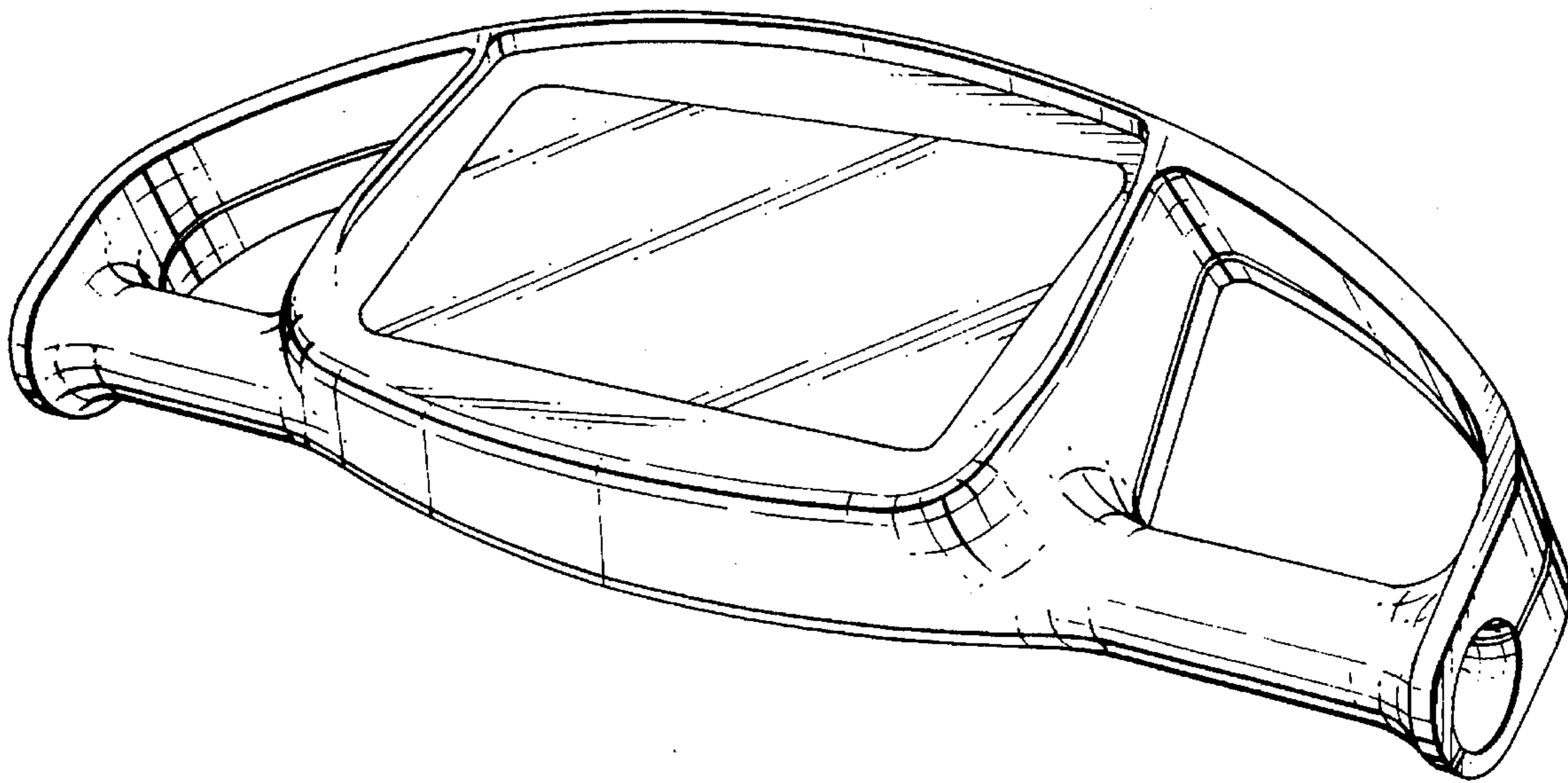


Fig.1.

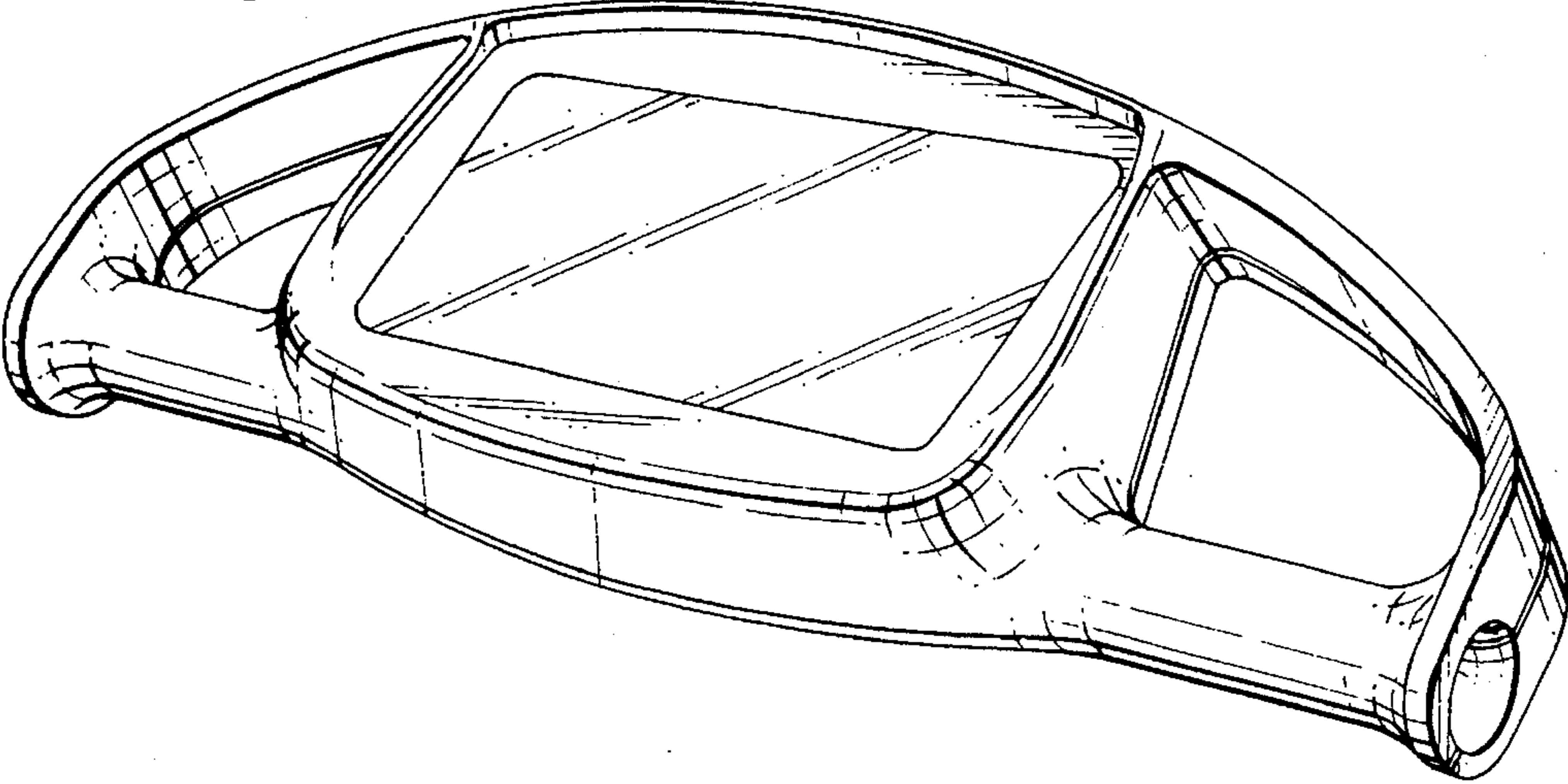


Fig.2.

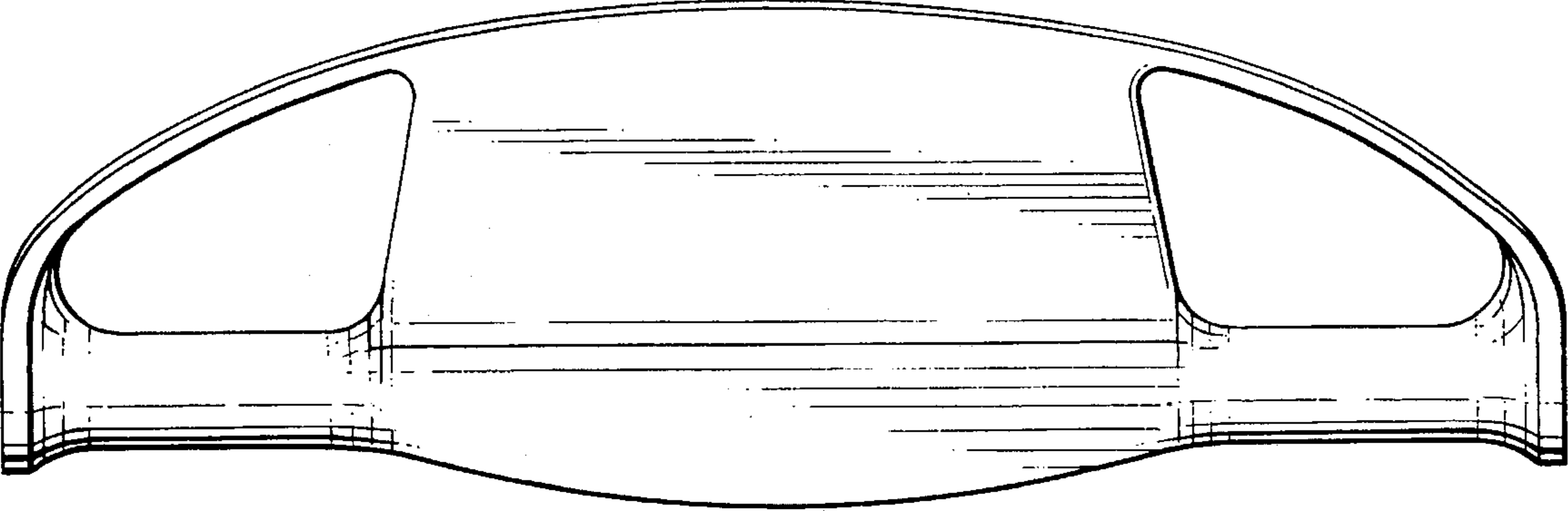


Fig.3.

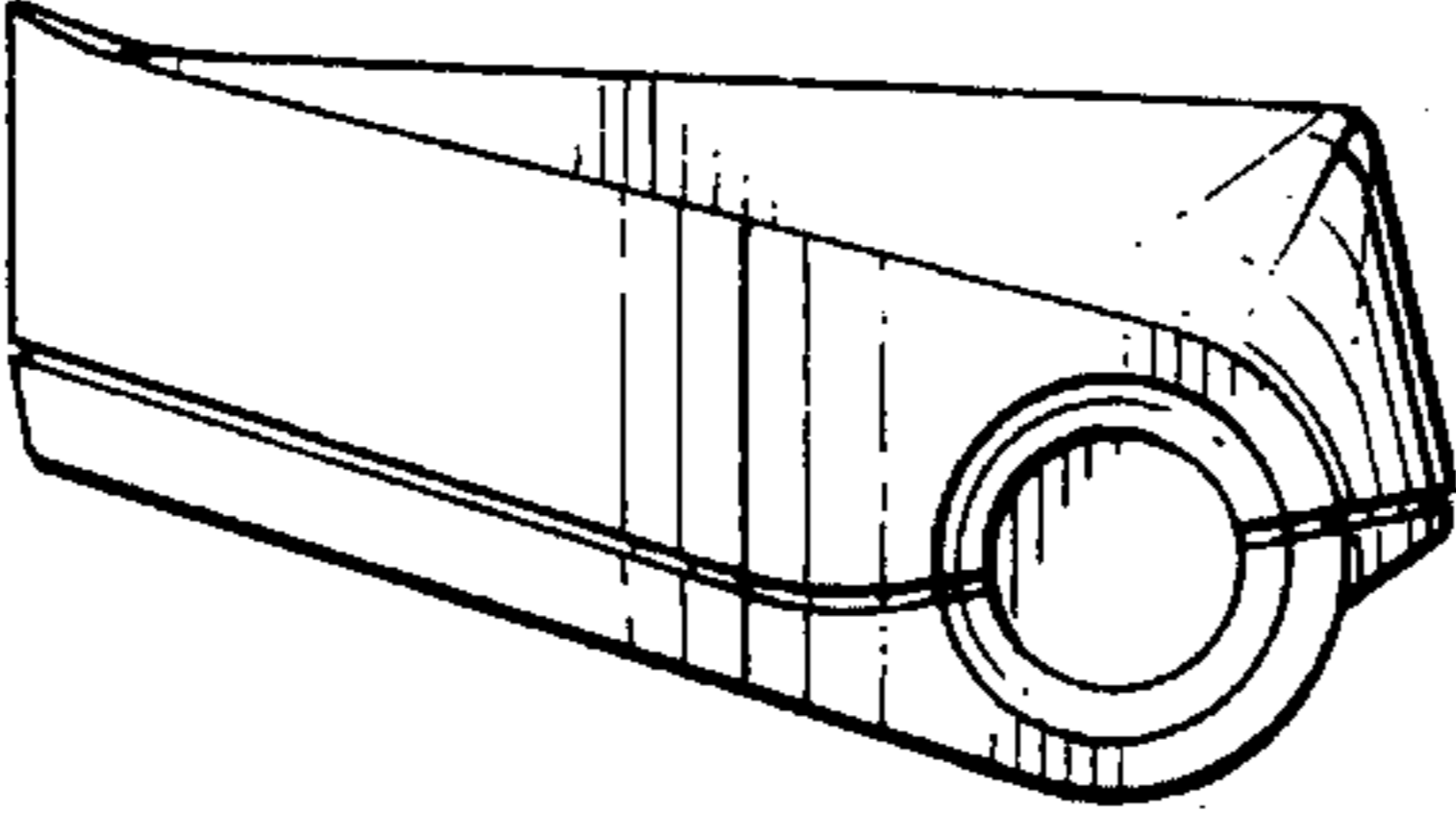


Fig.4.

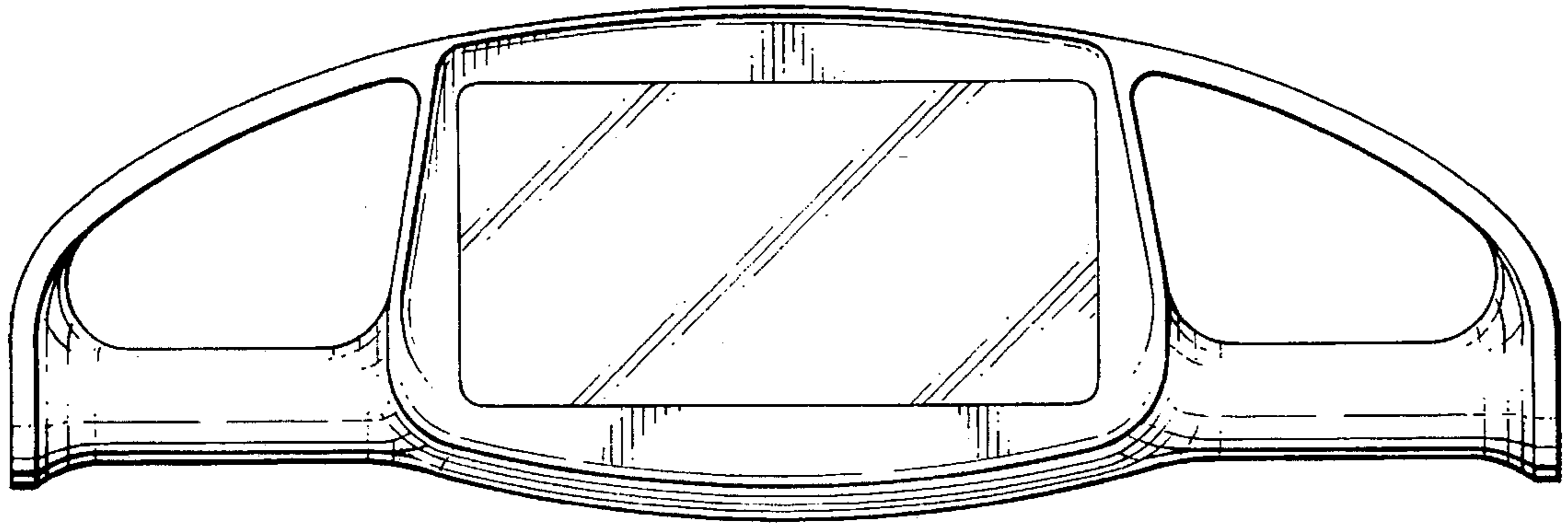


Fig.5.

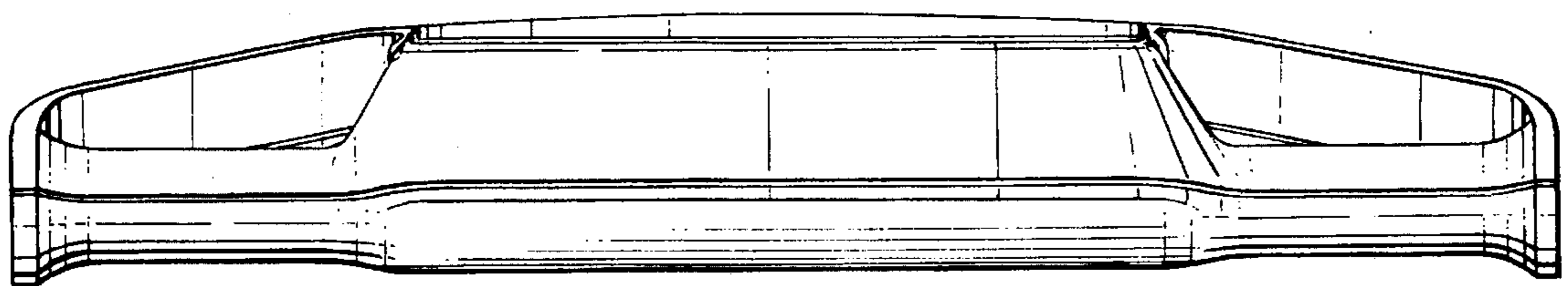


Fig.6.

