



US00D375598S

United States Patent [19]

[11] Patent Number: **Des. 375,598**

Haley et al.

[45] Date of Patent: ****Nov. 12, 1996**

[54] **CONTAINER BASE**

[75] Inventors: **Vincent L. Haley**, Orrville, Ohio;
David W. Kaiser, North Haven, Conn.

[73] Assignee: **Rubbermaid Incorporated**, Wooster, Ohio

[**] Term: **14 Years**

[21] Appl. No.: **40,688**

[22] Filed: **Jun. 23, 1995**

[52] U.S. Cl. **D34/10**; D7/396.2; D7/624;
D6/551

[58] **Field of Search** D34/10, 11, 1,
D34/5-7; D9/501, 552; D11/143, 152-154;
220/908-911, 404; 232/43.2, 113; D6/551;
D7/396.2, 624

[56] **References Cited**

U.S. PATENT DOCUMENTS

D. 200,882	4/1965	Benjamin	D58/17
D. 230,367	2/1974	Neels	D35/3 A
D. 245,643	8/1977	Orfei	D11/154
D. 331,727	12/1992	Grosfillex	D11/153
D. 338,302	8/1993	Shafer	D34/1
D. 364,112	11/1995	Dickinson et al.	D11/152
D. 364,358	11/1995	Bransky	D11/152
3,906,666	9/1975	Daenen	D11/154

OTHER PUBLICATIONS

P. 5, Flower containers; Rubbermaid Incorporated, 1147 Akron Road, Wooster, Ohio 44691. Publication date 1980. Pp. 7, 8 and 10, Flower containers; Rubbermaid Incorporated, 1147 Akron Road, Wooster, Ohio 44691. Publication date 1989.

Catalog page, Wastebaskets; Rubbermaid Incorporated, 1147 Akron Road, Wooster, Ohio 44691. Publication date 1991.

Pp. 22 and 23, Wastebaskets; Rubbermaid Incorporated, 1147 Akron Road, Wooster, Ohio 44691. Publication date 1980.

Primary Examiner—A. Hugo Word

Assistant Examiner—Robin V. Taylor

Attorney, Agent, or Firm—Richard B. O'Planick; Lisa B. Riedesel

[57] **CLAIM**

The ornamental design for a container base, as shown and described.

DESCRIPTION

FIG. 1 is a bottom left front perspective view of a container base showing our new design. The broken lines are for illustrative purposes only and form no part of the claimed design;

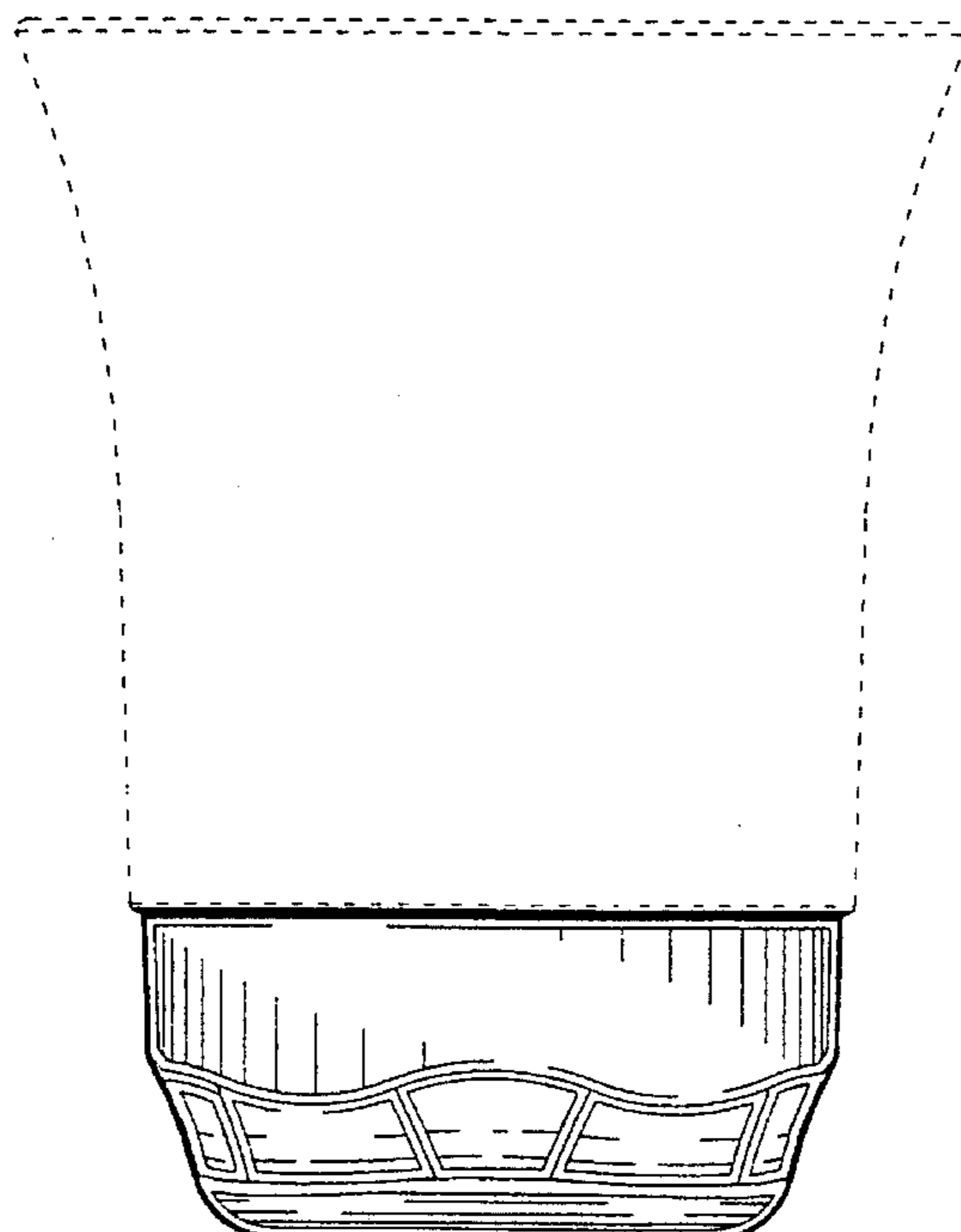
FIG. 2 is a front elevational view thereof, the rear elevational view being a mirror image;

FIG. 3 is a right side elevational view thereof, the left side elevational view being a mirror image;

FIG. 4 is a bottom plan view thereof; and,

FIG. 5 is a top plan view thereof.

1 Claim, 4 Drawing Sheets



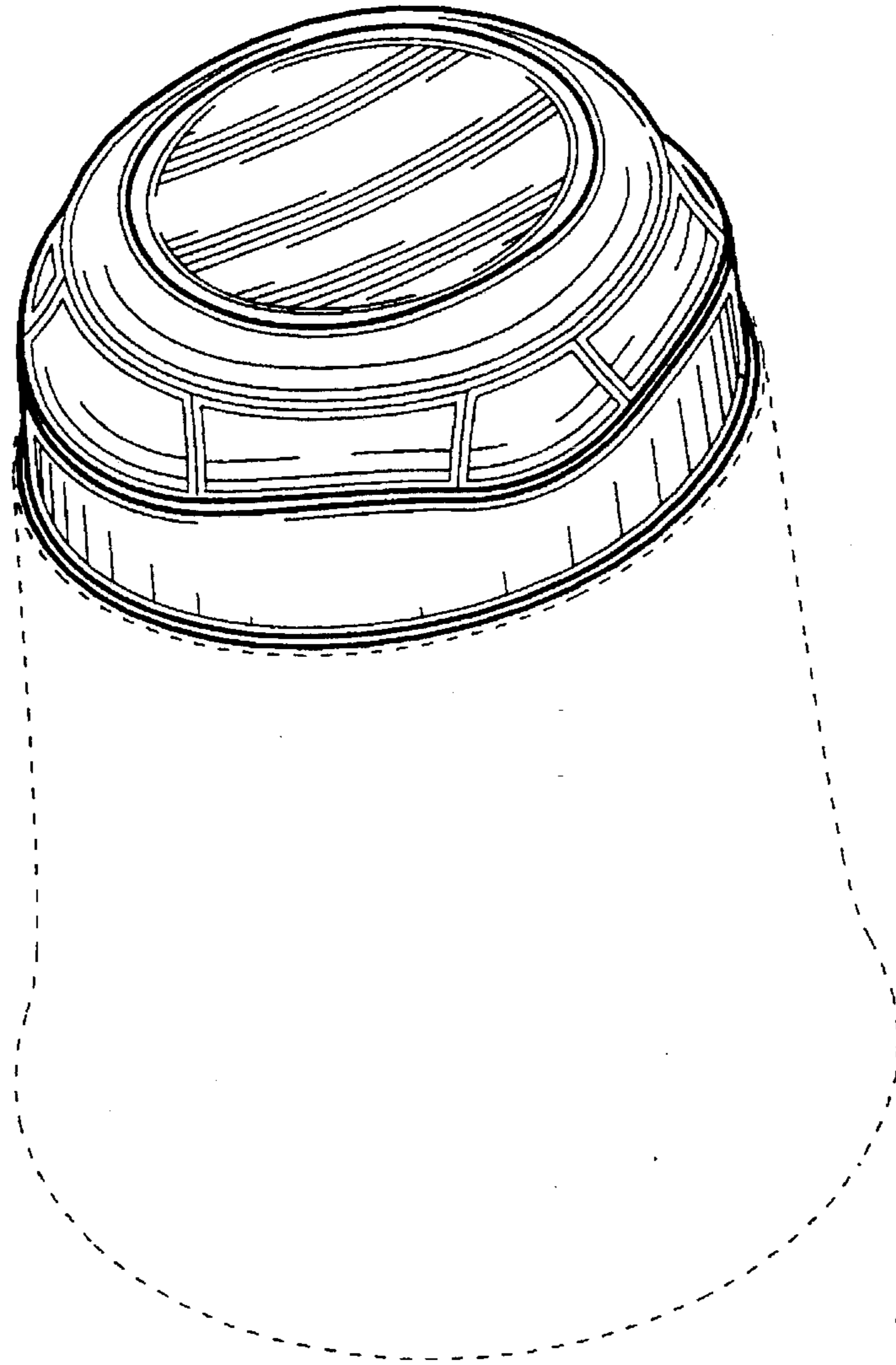


FIG. 1

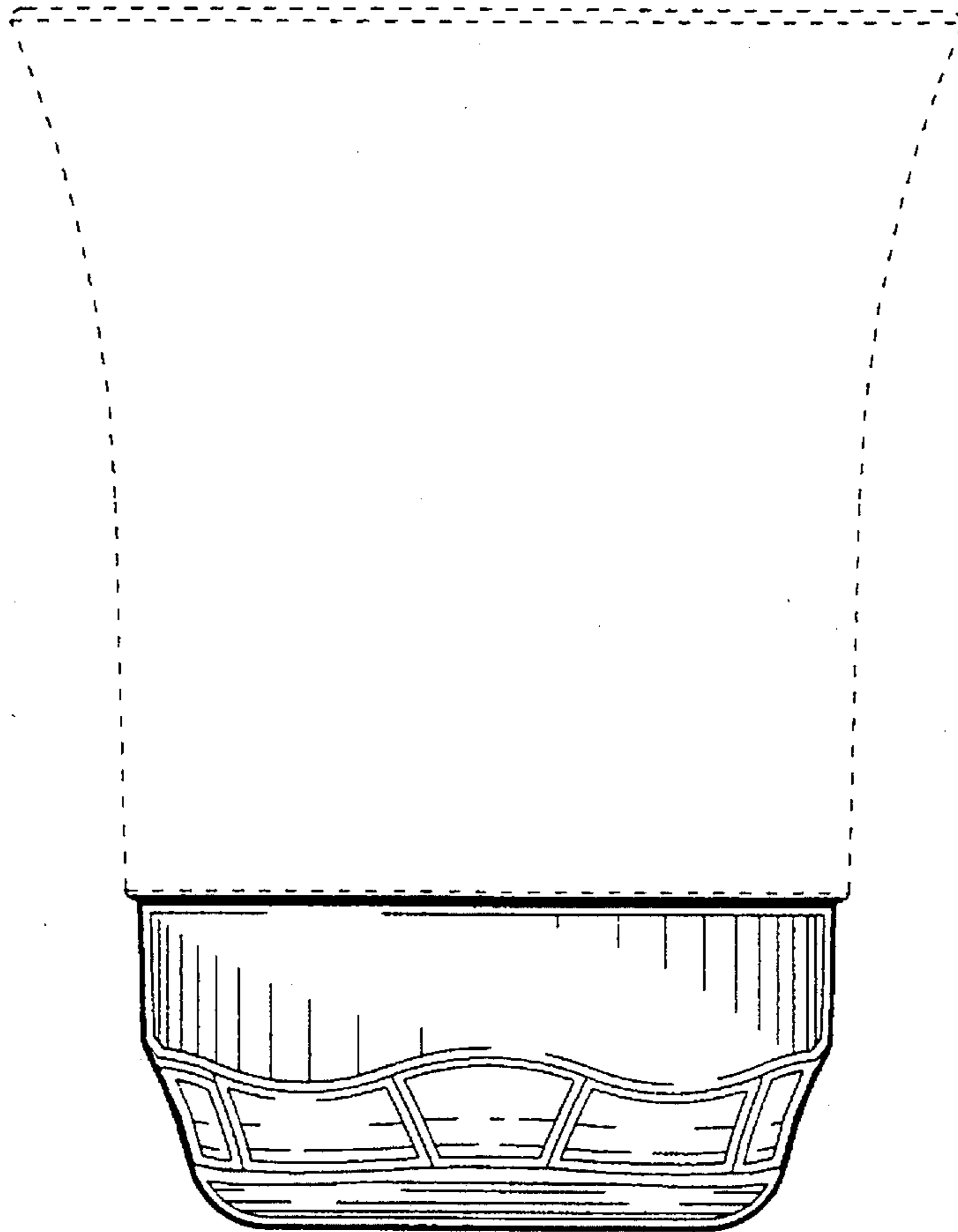


FIG. 2

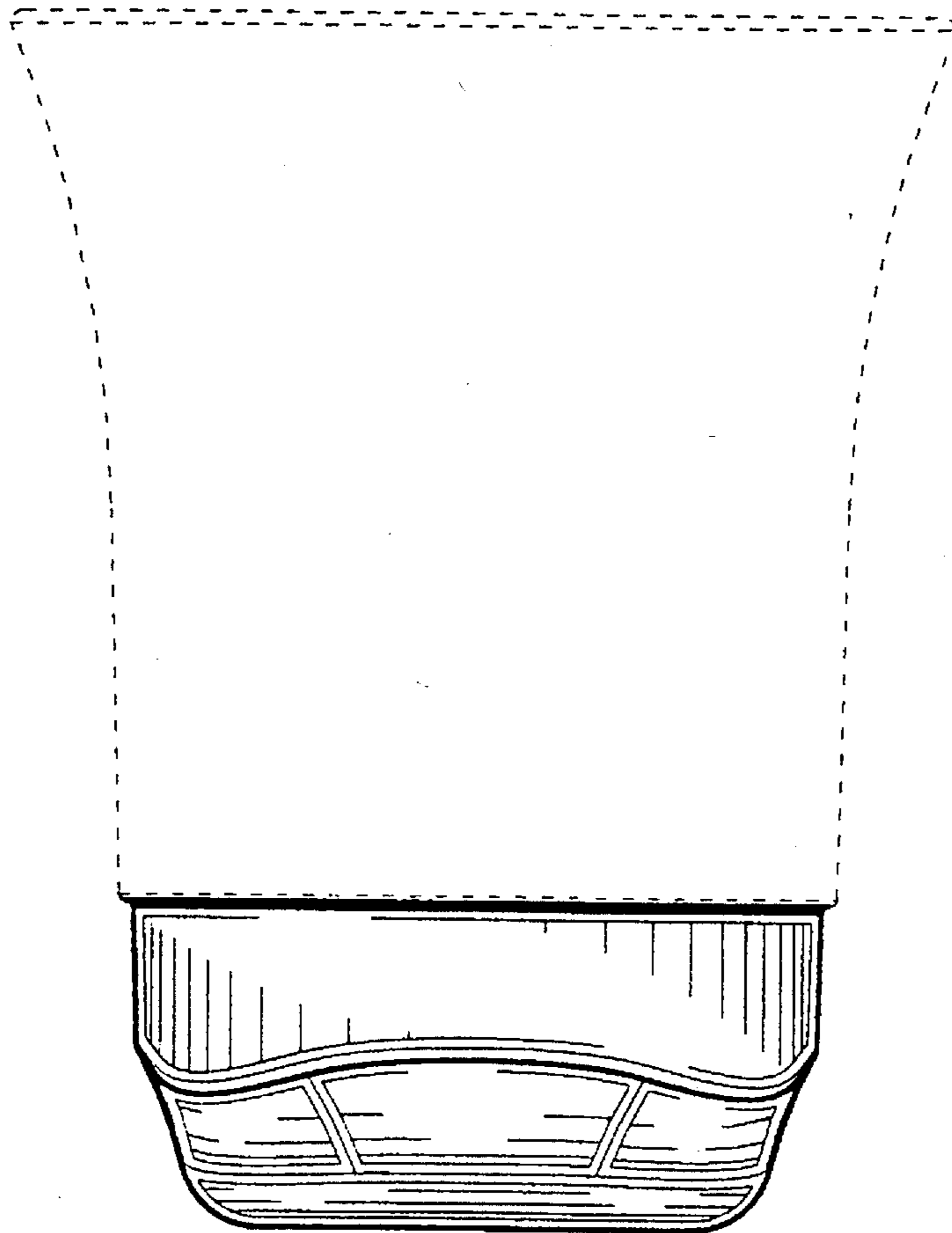


FIG. 3

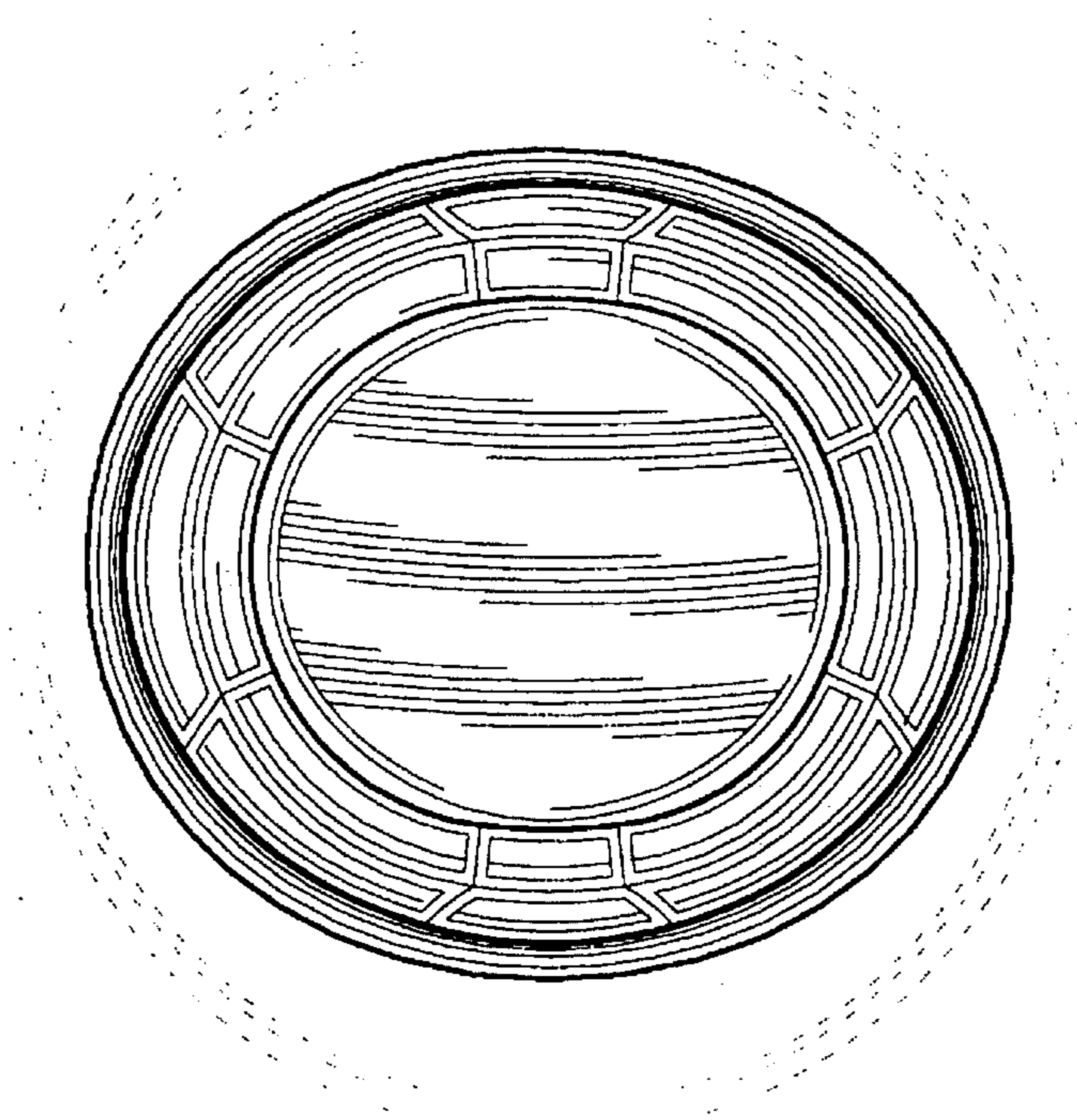


FIG. 4

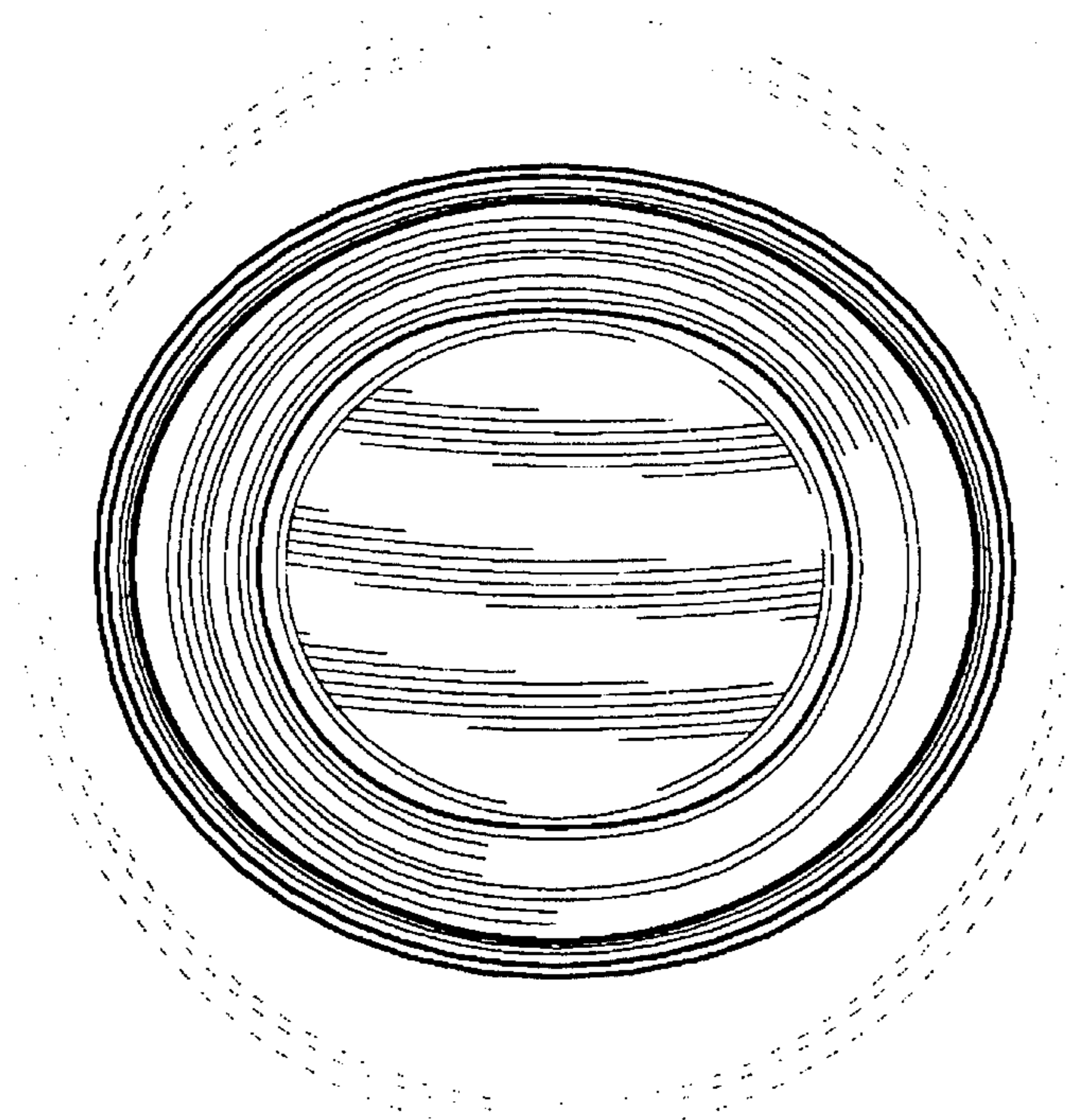


FIG. 5